



US00D738584S

(12) **United States Design Patent**  
**Niedzwecki**

(10) **Patent No.:** **US D738,584 S**

(45) **Date of Patent:** **\*\* Sep. 8, 2015**

(54) **VACUUM CLEANER**

(71) Applicant: **Euro-Pro Operating LLC**, Newton, MA (US)

(72) Inventor: **Scott Benjamin Niedzwecki**, Walpole, MA (US)

(73) Assignee: **Euro-Pro Operating LLC**, Newton, MA (US)

(\*\*) Term: **14 Years**

(21) Appl. No.: **29/518,077**

(22) Filed: **Feb. 19, 2015**

(51) **LOC (10) Cl.** ..... **15-05**

(52) **U.S. Cl.**  
USPC ..... **D32/22; D32/18**

(58) **Field of Classification Search**  
USPC ..... **D32/17-18, 31, 34, 15-16, 1, 22; D30/158**

CPC ..... **A47L 5/21; A47L 5/362; A47L 15/28; A47L 9/325; A47L 9/2857; A47L 9/1427; A47L 15/14; B26B 19/44; B60S 3/002; F28G 3/166**

See application file for complete search history.

(56) **References Cited**

**U.S. PATENT DOCUMENTS**

D290,894 S *	7/1987	Miyamoto et al.	.....	D32/22
D298,875 S *	12/1988	Nakamura	.....	D32/18
D303,170 S *	8/1989	Hirano	.....	D32/18
D303,173 S *	8/1989	Miyamoto et al.	.....	D32/22
D348,548 S *	7/1994	Pino	.....	D32/18
6,101,669 A	8/2000	Martin et al.		
D541,495 S *	4/2007	DiPasquale et al.	.....	D32/18
D555,848 S *	11/2007	DiPasquale et al.	.....	D32/18

D577,163 S	9/2008	Dyson et al.		
D581,609 S	11/2008	Conrad et al.		
D585,608 S	1/2009	Conrad et al.		
7,931,716 B2	4/2011	Oakham		
8,146,201 B2	4/2012	Conrad		
D668,010 S *	9/2012	Stickney et al.	.....	D32/18
D668,823 S	10/2012	Stickney et al.		
8,689,395 B2	4/2014	Conrad		
2008/0216282 A1 *	9/2008	Conrad	.....	15/352
2010/0050368 A1 *	3/2010	Curien	.....	15/320
2010/0229328 A1	9/2010	Conrad		
2013/0276258 A1 *	10/2013	Amann	.....	15/329
2014/0234130 A1 *	8/2014	Yamaoka et al.	.....	417/234
2014/0237760 A1 *	8/2014	Conrad	.....	15/344

\* cited by examiner

*Primary Examiner* — Ruth McInroy

(74) *Attorney, Agent, or Firm* — Yang IPCo, PLLC

(57) **CLAIM**

I claim the ornamental design for a vacuum cleaner, as shown and described.

**DESCRIPTION**

FIG. 1 is an elevational perspective view of a vacuum cleaner in accordance with my design;

FIG. 2 is a front view of the vacuum cleaner in accordance with my design;

FIG. 3 is a rear view of the vacuum cleaner in accordance with my design;

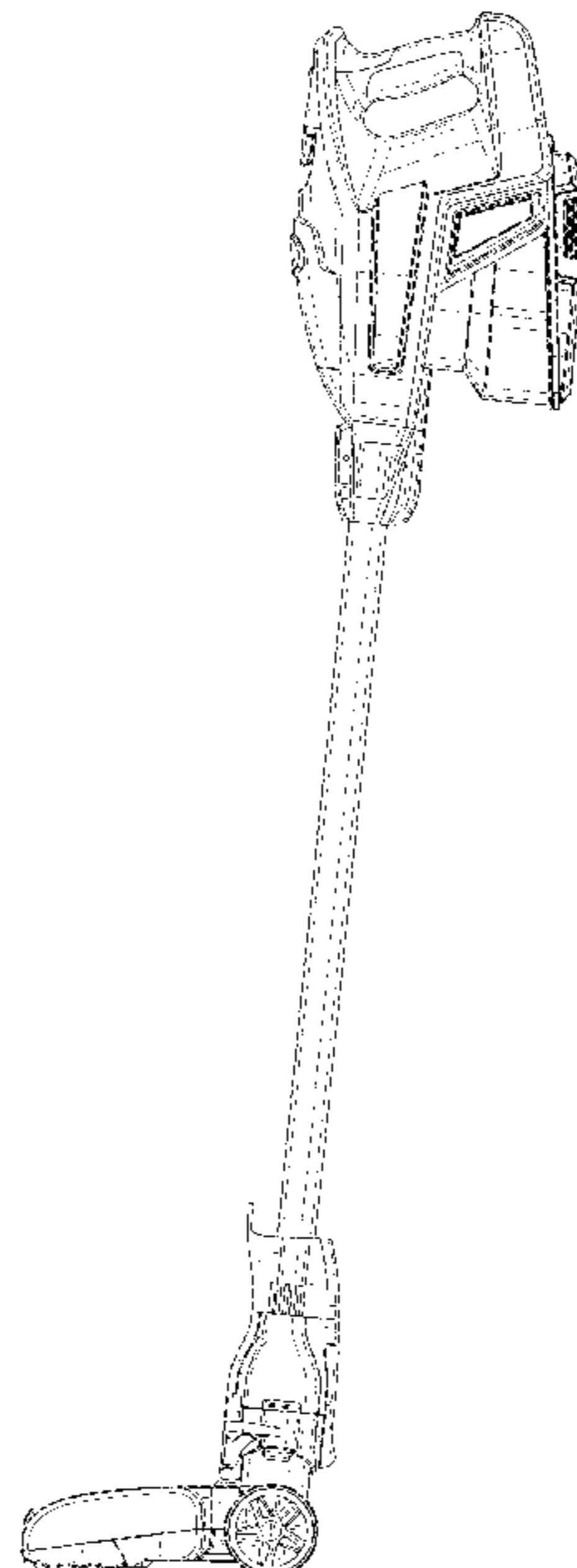
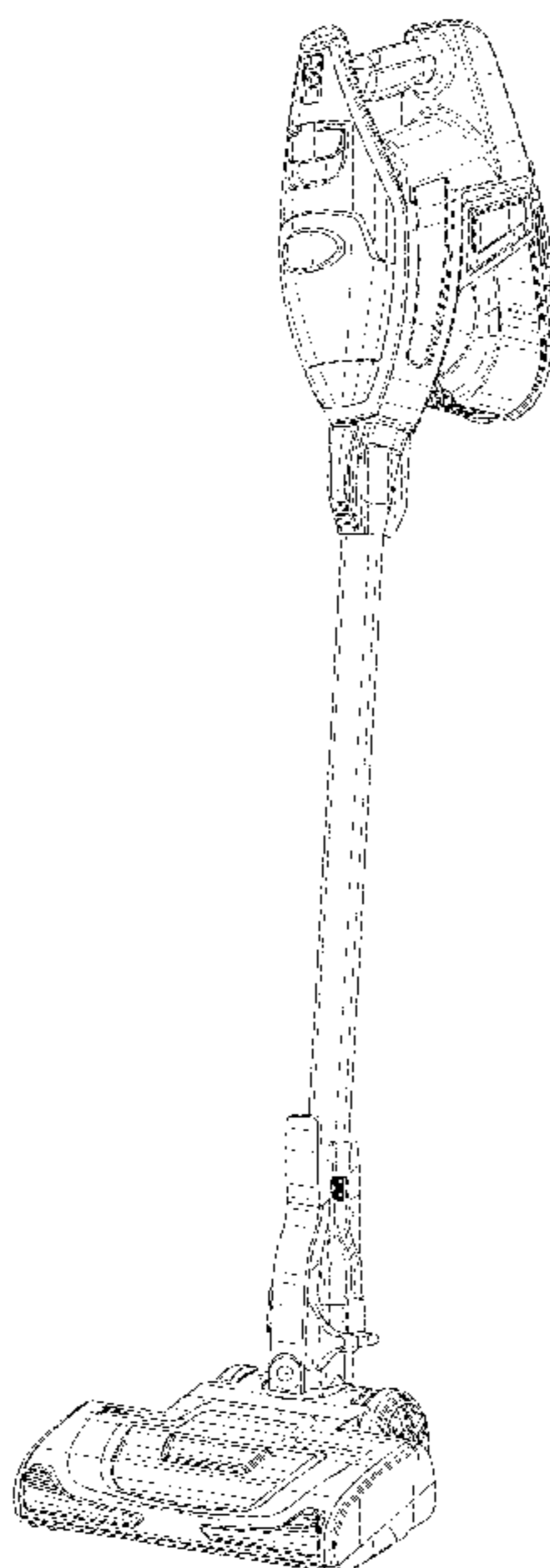
FIG. 4 is a first side view of the vacuum cleaner in accordance with my design;

FIG. 5 is a second side view of the vacuum cleaner in accordance with my design;

FIG. 6 is a top view of the vacuum cleaner in accordance with my design; and,

FIG. 7 is a bottom view of the vacuum cleaner in accordance with my design.

**1 Claim, 6 Drawing Sheets**



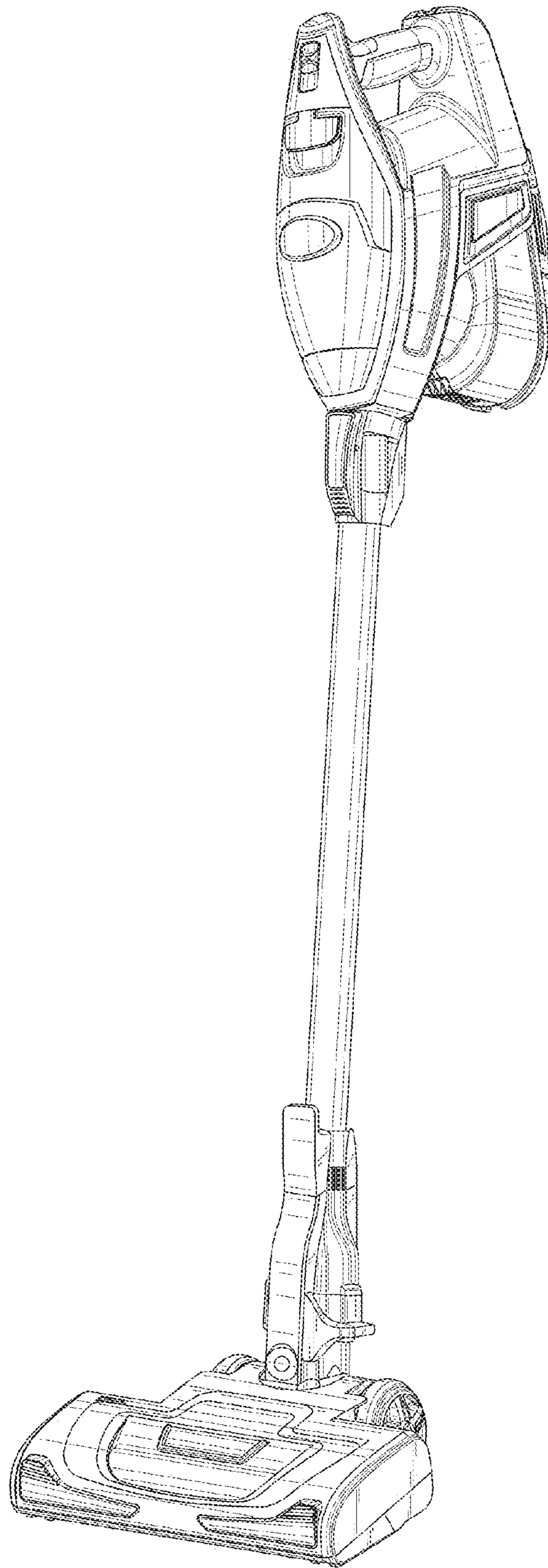


FIG. 1

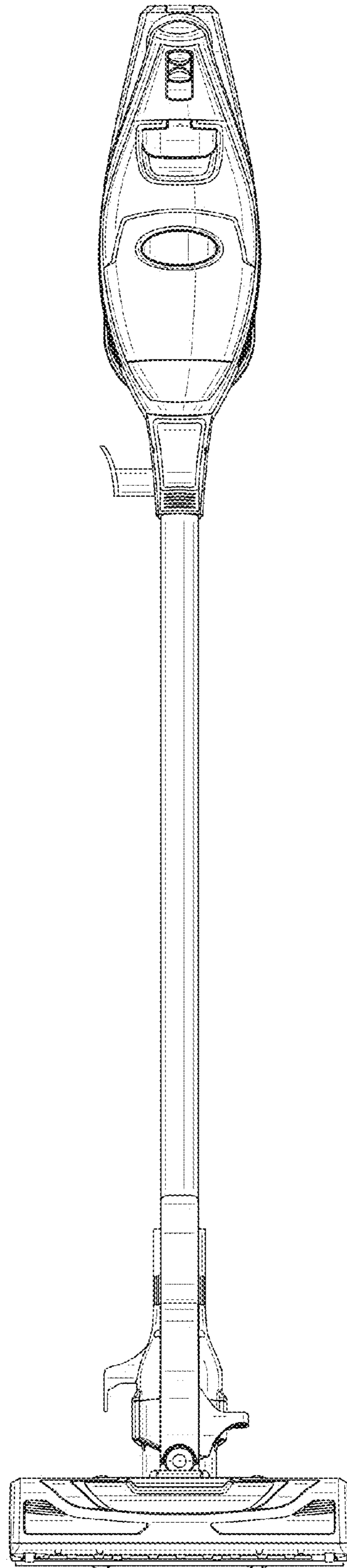


FIG. 2

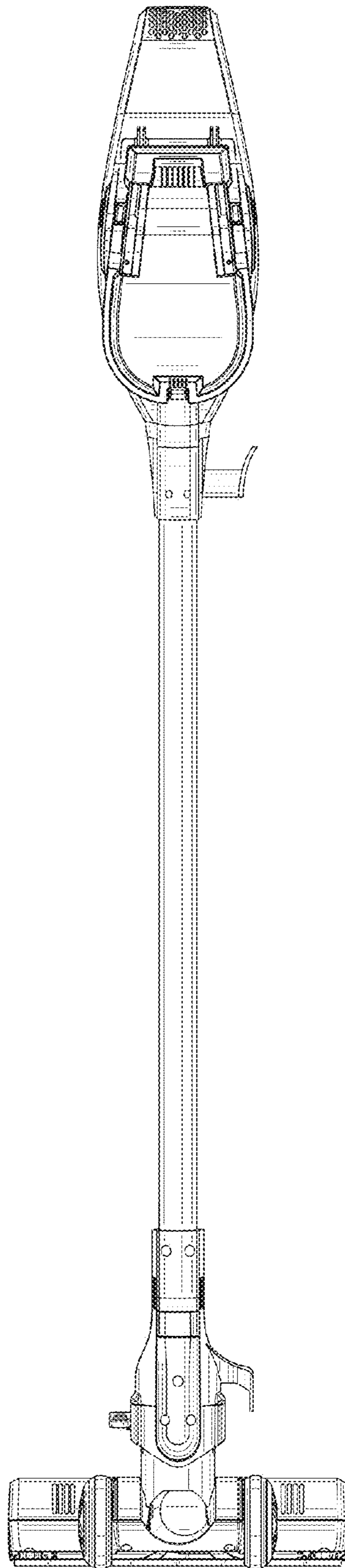


FIG. 3



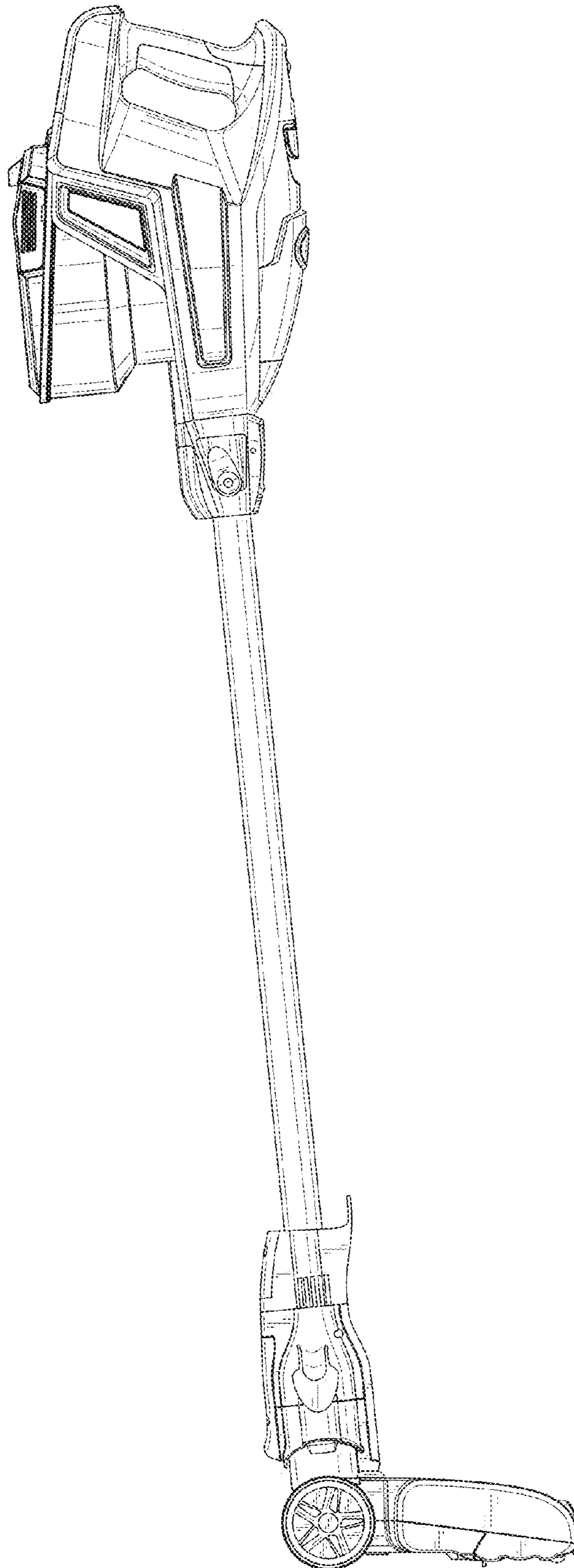


FIG. 4

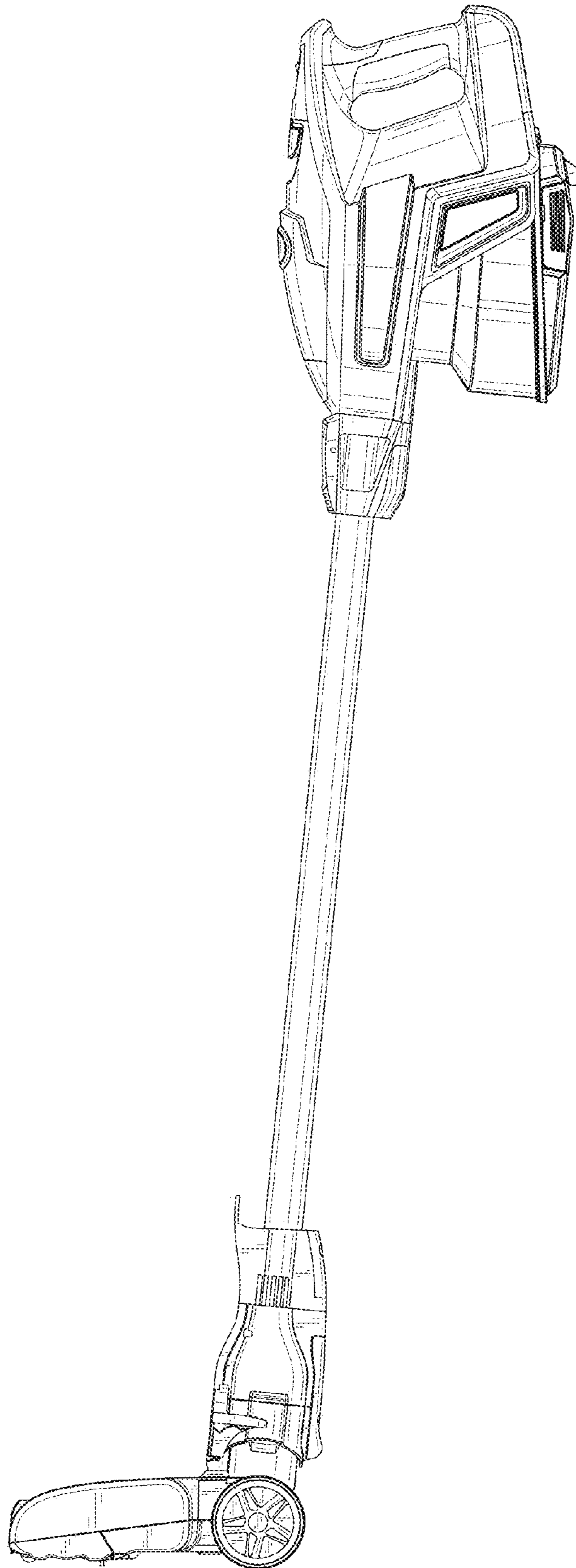


FIG. 5

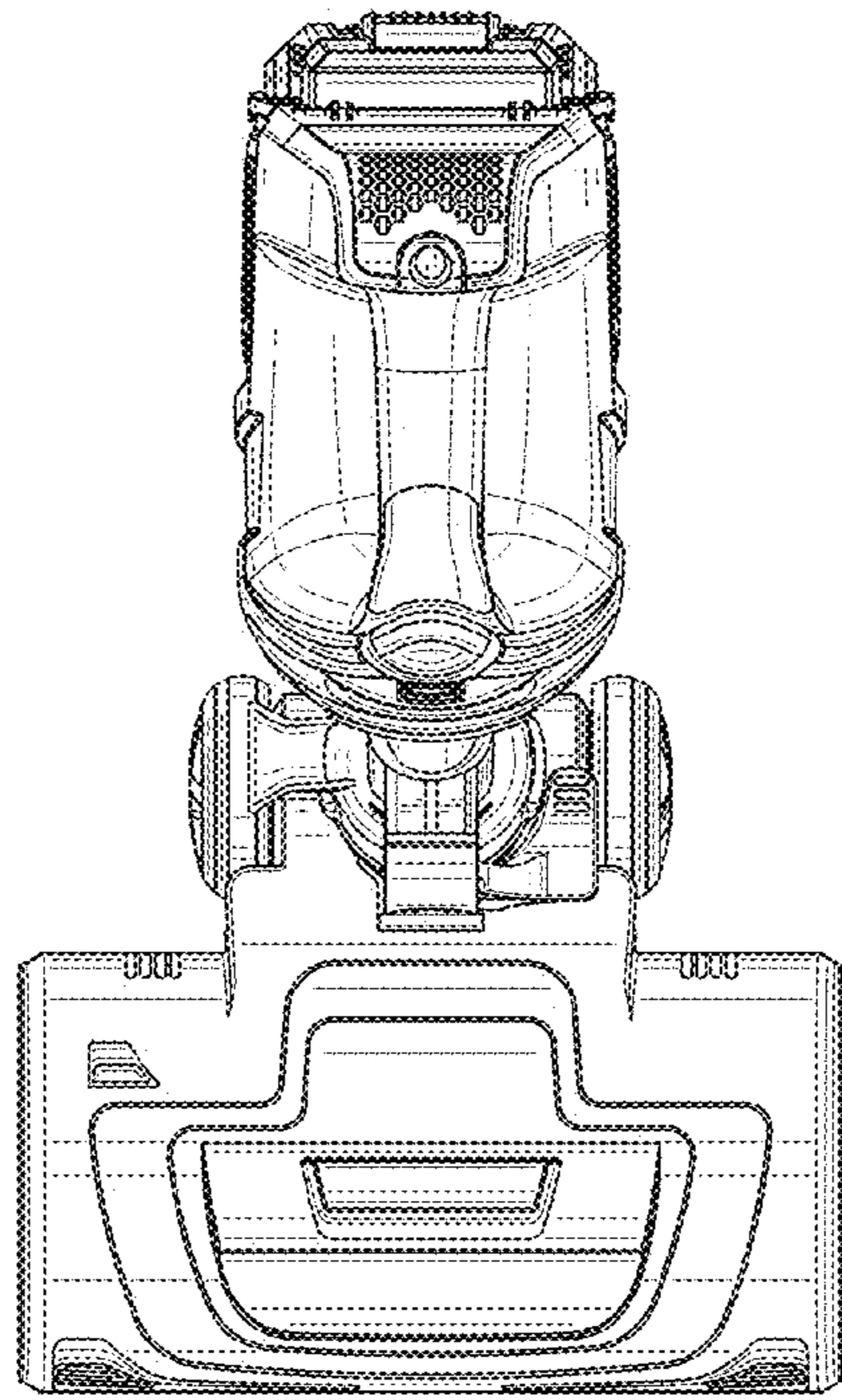


FIG. 6

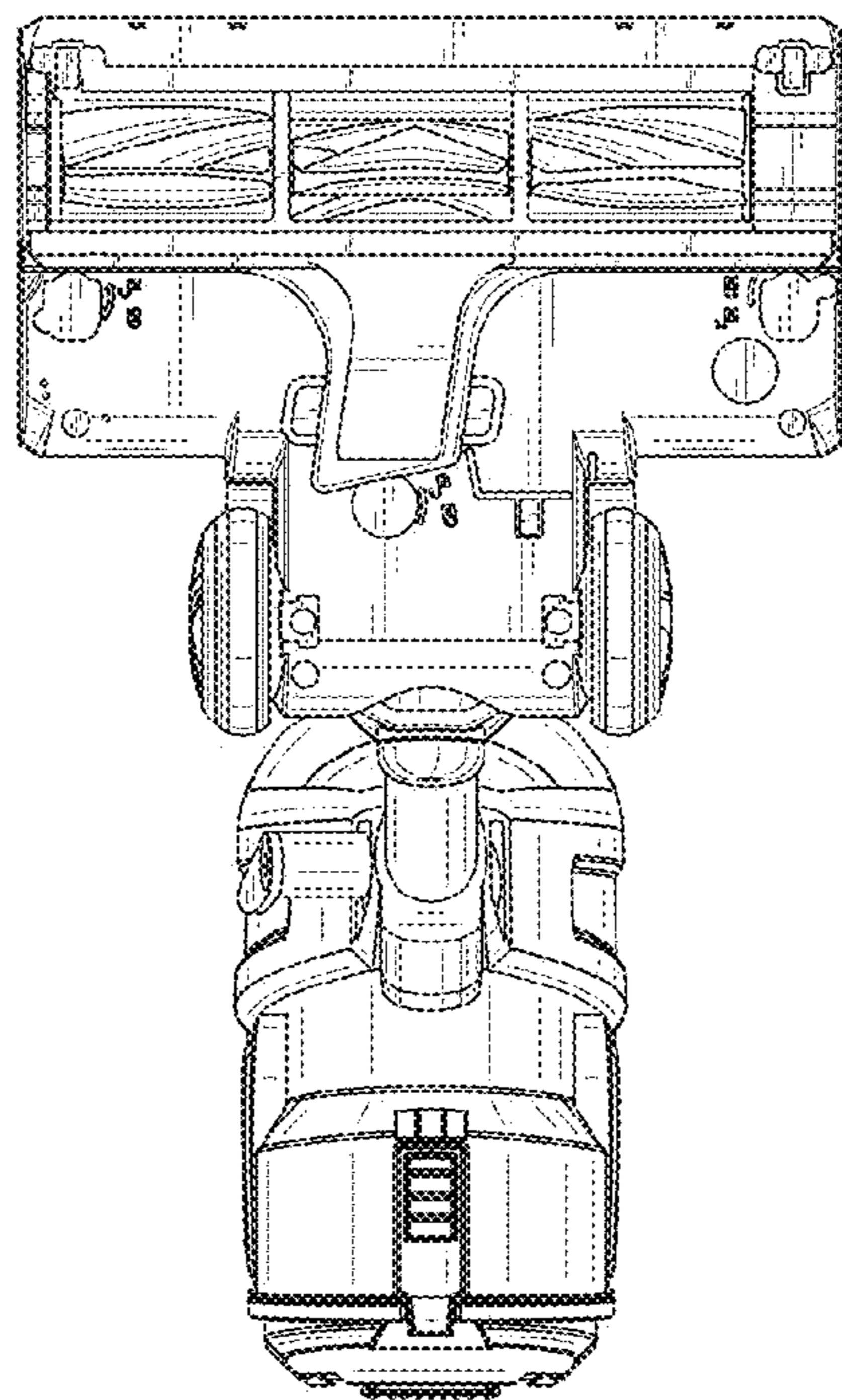


FIG. 7

UNITED STATES PATENT AND TRADEMARK OFFICE  
**CERTIFICATE OF CORRECTION**

PATENT NO. : D738,584 S  
APPLICATION NO. : 29/518077  
DATED : September 8, 2015  
INVENTOR(S) : Scott Benjamin Niedzwecki

Page 1 of 8

It is certified that error appears in the above-identified patent and that said Letters Patent is hereby corrected as shown below:

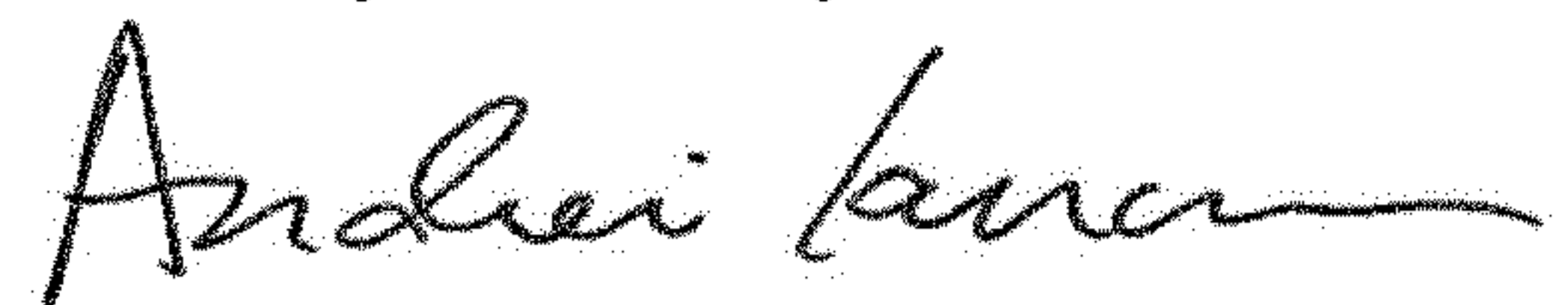
On the Title Page

The title page showing the illustrative figure should be deleted to be replaced with the attached title page.

In the Drawings

Figs. 1-7 should be replaced with the corrected Figs. 1-7 as shown on the attached pages.

Signed and Sealed this  
Twenty-fifth Day of June, 2019



Andrei Iancu  
*Director of the United States Patent and Trademark Office*



(12) **United States Design Patent**  
**Niedzwecki**

(10) **Patent No.:** **US D738,584 S**  
(45) **Date of Patent:** **\*\* Sep. 8, 2015**

(54) **VACUUM CLEANER**

(71) Applicant: **Euro-Pro Operating LLC**, Newton,  
MA (US)

(72) Inventor: **Scott Benjamin Niedzwecki**, Walpole,  
MA (US)

(73) Assignee: **Euro-Pro Operating LLC**, Newton,  
MA (US)

(\*\*) Term: **14 Years**

(21) Appl. No.: **29/518,077**

(22) Filed: **Feb. 19, 2015**

(51) **LOC (10) CL.** ..... **15-05**

(52) **U.S. CL.**  
USPC ..... **D32/22; D32/18**

(58) **Field of Classification Search**  
USPC ..... **D32/17-18, 31, 34, 15-16, 1, 22;**  
**D30/158**  
CPC ..... **A47L 5/21; A47L 5/362; A47L 15/28;**  
**A47L 9/325; A47L 9/2857; A47L 9/1427;**  
**A47L 15/14; B26B 19/44; B60S 3/002;**  
**F28G 3/166**  
See application file for complete search history.

(56) **References Cited**

**U.S. PATENT DOCUMENTS**

D290,894 S *	7/1987	Miyamoto et al.	D32/22
D298,875 S *	12/1988	Nakamura	D32/18
D303,170 S *	8/1989	Hirano	D32/18
D303,173 S *	8/1989	Miyamoto et al.	D32/22
D348,548 S *	7/1994	Pino	D32/18
6,101,669 A	8/2000	Martin et al.	
D541,495 S *	4/2007	DiPasquale et al.	D32/18
D555,848 S *	11/2007	DiPasquale et al.	D32/18

D577,163 S	9/2008	Dyson et al.	
D581,609 S	11/2008	Conrad et al.	
D585,608 S	1/2009	Conrad et al.	
7,931,716 B2	4/2011	Oakhun	
8,146,201 B2	4/2012	Conrad	
D668,010 S *	9/2012	Stickney et al.	D32/18
D668,823 S	10/2012	Stickney et al.	
8,689,395 B2	4/2014	Conrad	
2008/0216282 A1 *	9/2008	Conrad	15/352
2010/0050368 A1 *	3/2010	Curien	15/320
2010/0229328 A1	9/2010	Conrad	
2013/0276258 A1 *	10/2013	Amami	15/329
2014/0234130 A1 *	8/2014	Yamaoka et al.	417/234
2014/0237760 A1 *	8/2014	Conrad	15/344

\* cited by examiner

*Primary Examiner* — Ruth McInroy

(74) *Attorney, Agent, or Firm* — Yang IPCo, PLLC

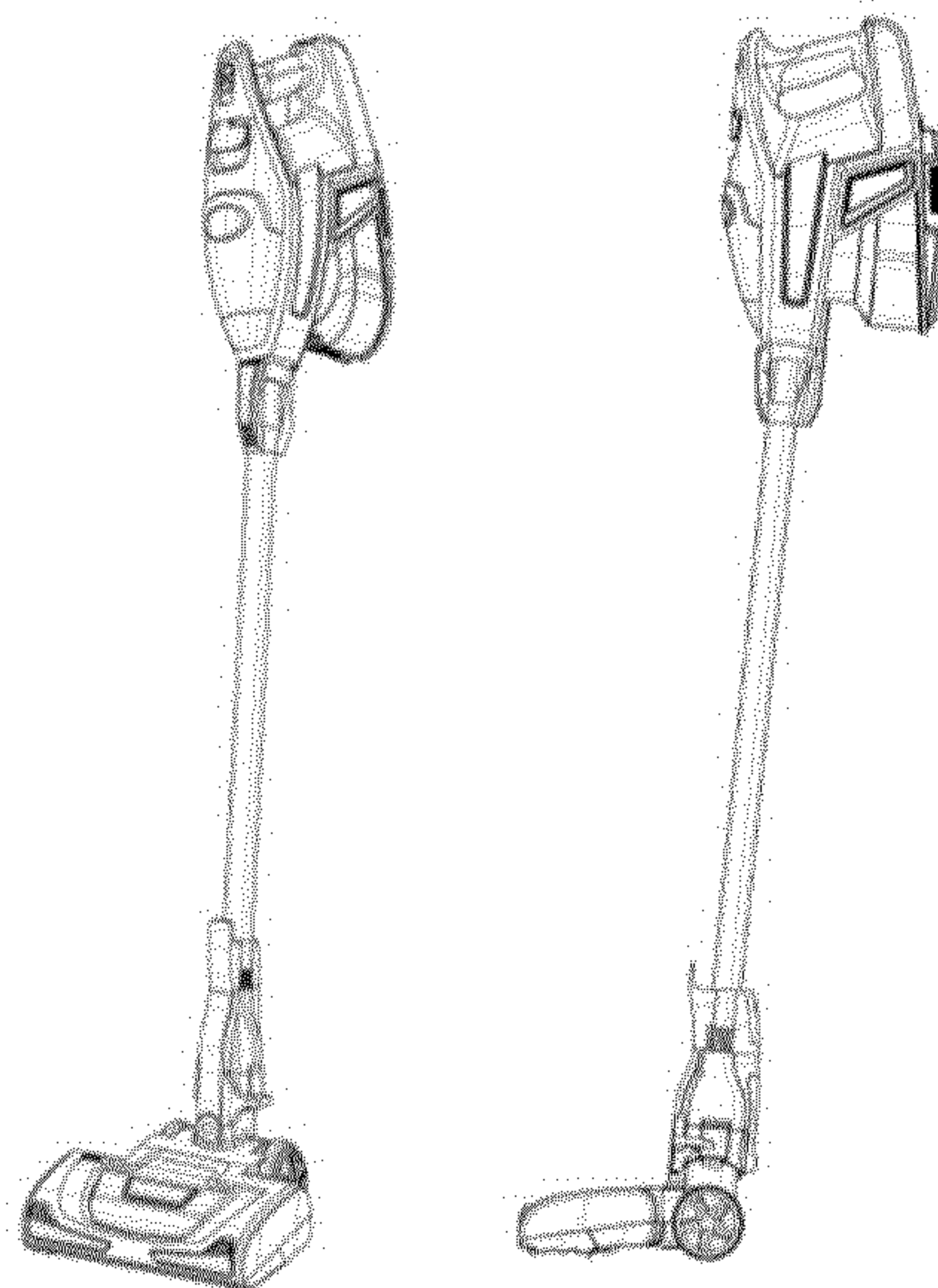
(57) **CLAIM**

I claim the ornamental design for a vacuum cleaner, as shown and described.

**DESCRIPTION**

FIG. 1 is an elevational perspective view of a vacuum cleaner in accordance with my design;  
FIG. 2 is a front view of the vacuum cleaner in accordance with my design;  
FIG. 3 is a rear view of the vacuum cleaner in accordance with my design;  
FIG. 4 is a first side view of the vacuum cleaner in accordance with my design;  
FIG. 5 is a second side view of the vacuum cleaner in accordance with my design;  
FIG. 6 is a top view of the vacuum cleaner in accordance with my design; and,  
FIG. 7 is a bottom view of the vacuum cleaner in accordance with my design.

**1 Claim, 6 Drawing Sheets**



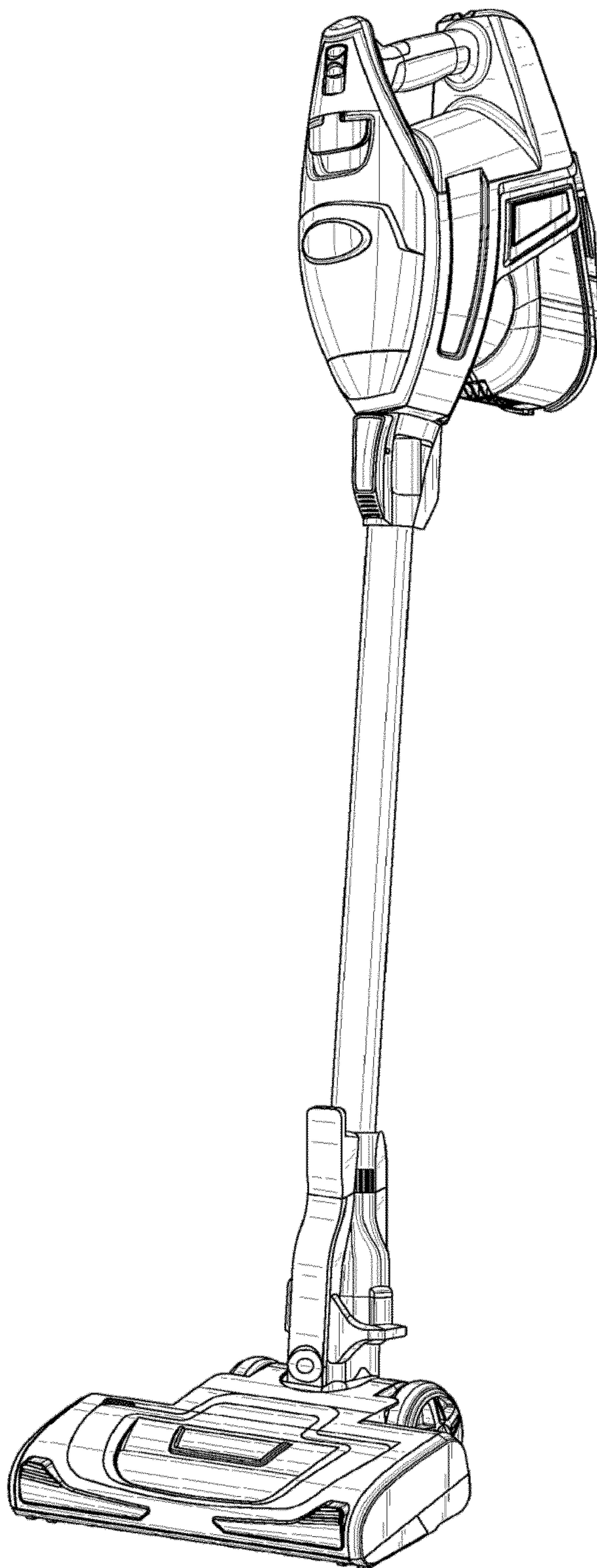


FIG. 1



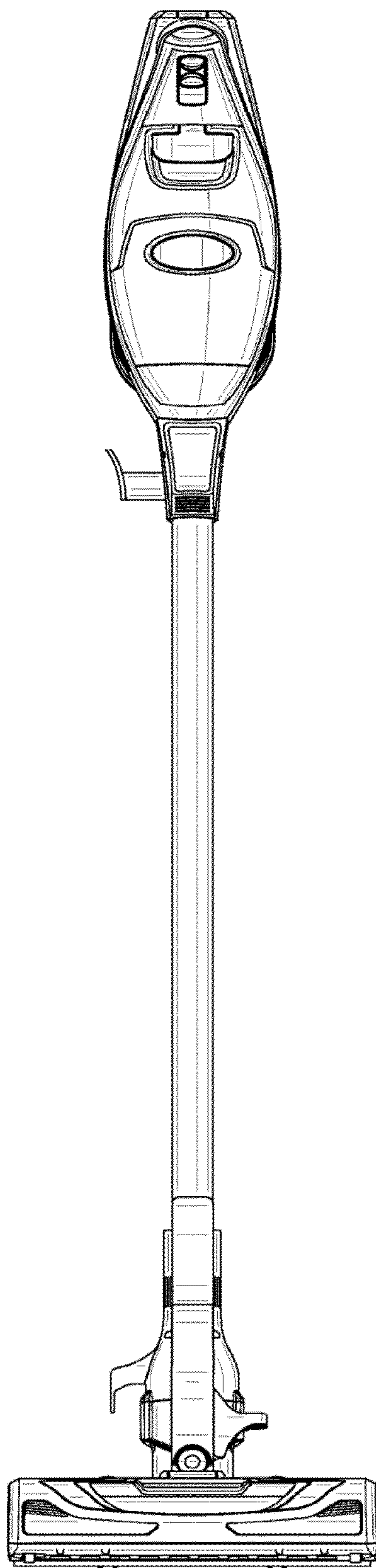


FIG. 2

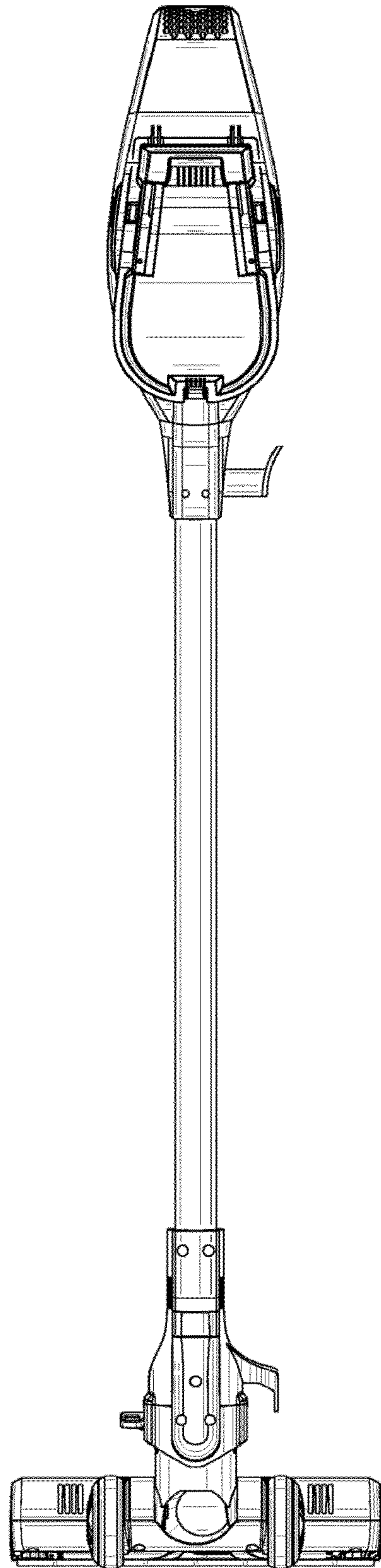


FIG. 3

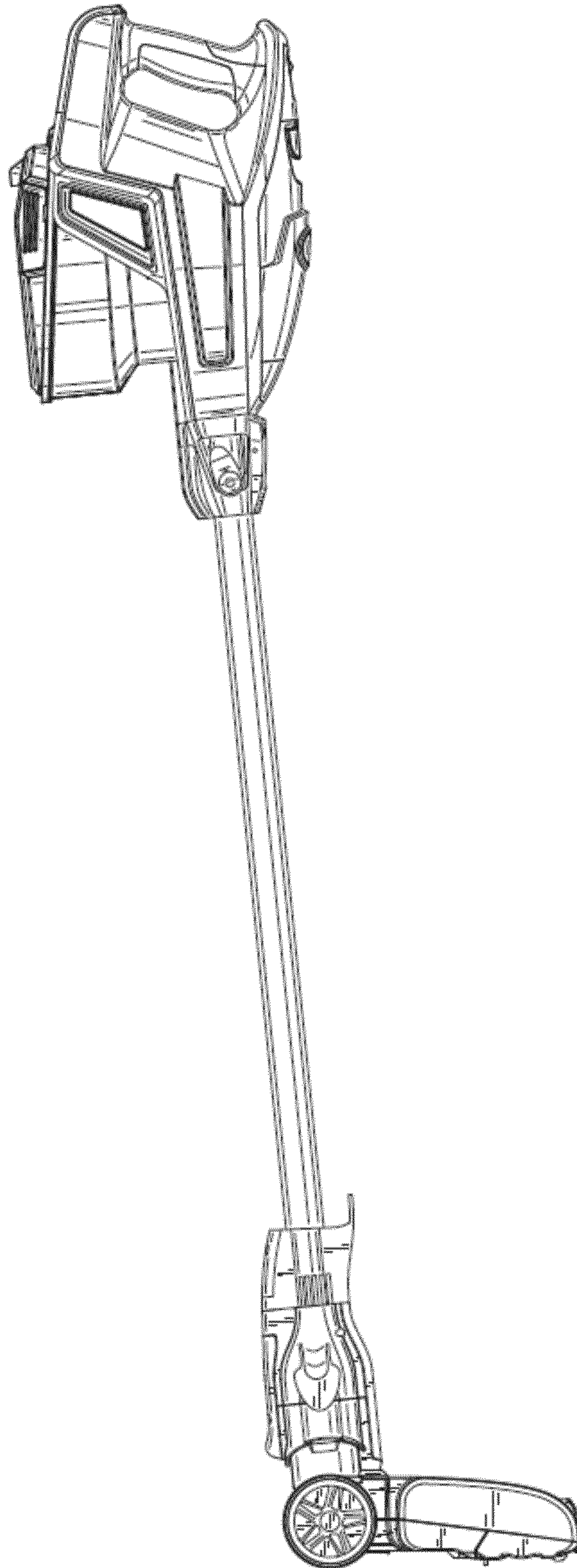


FIG. 4



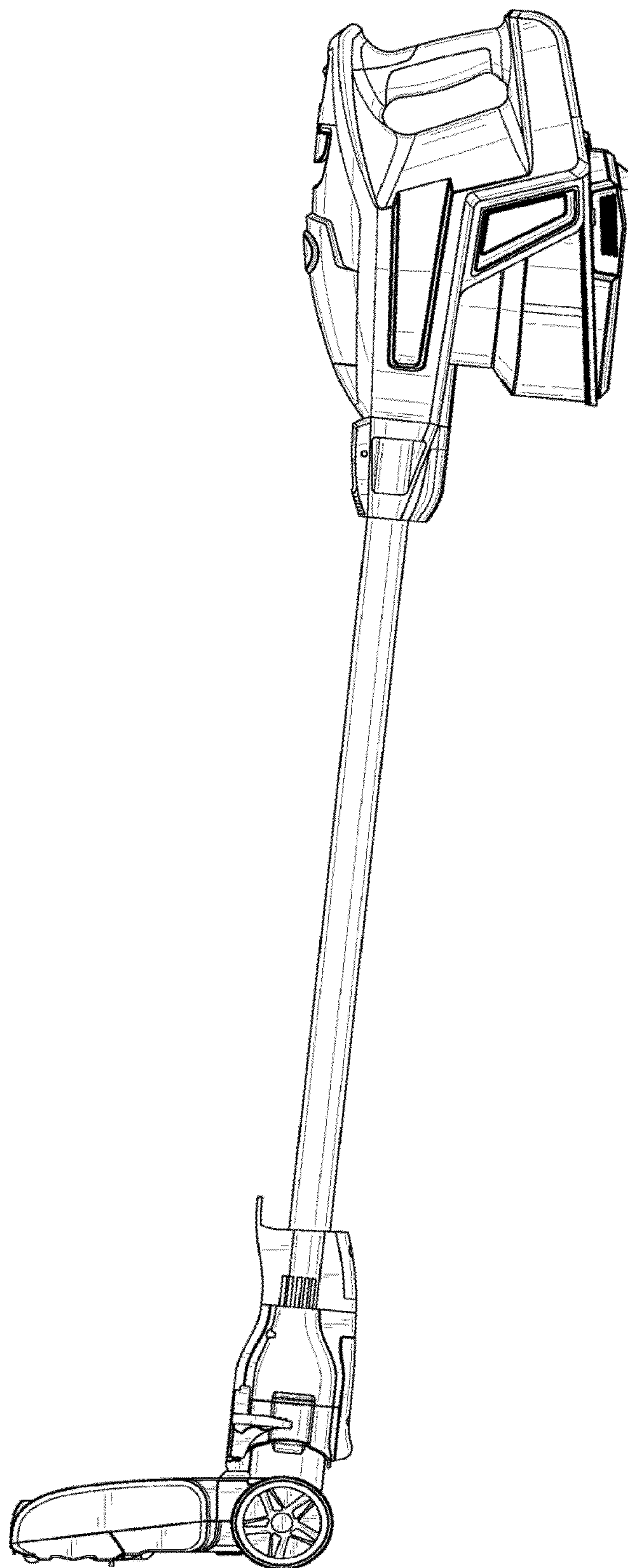


FIG. 5

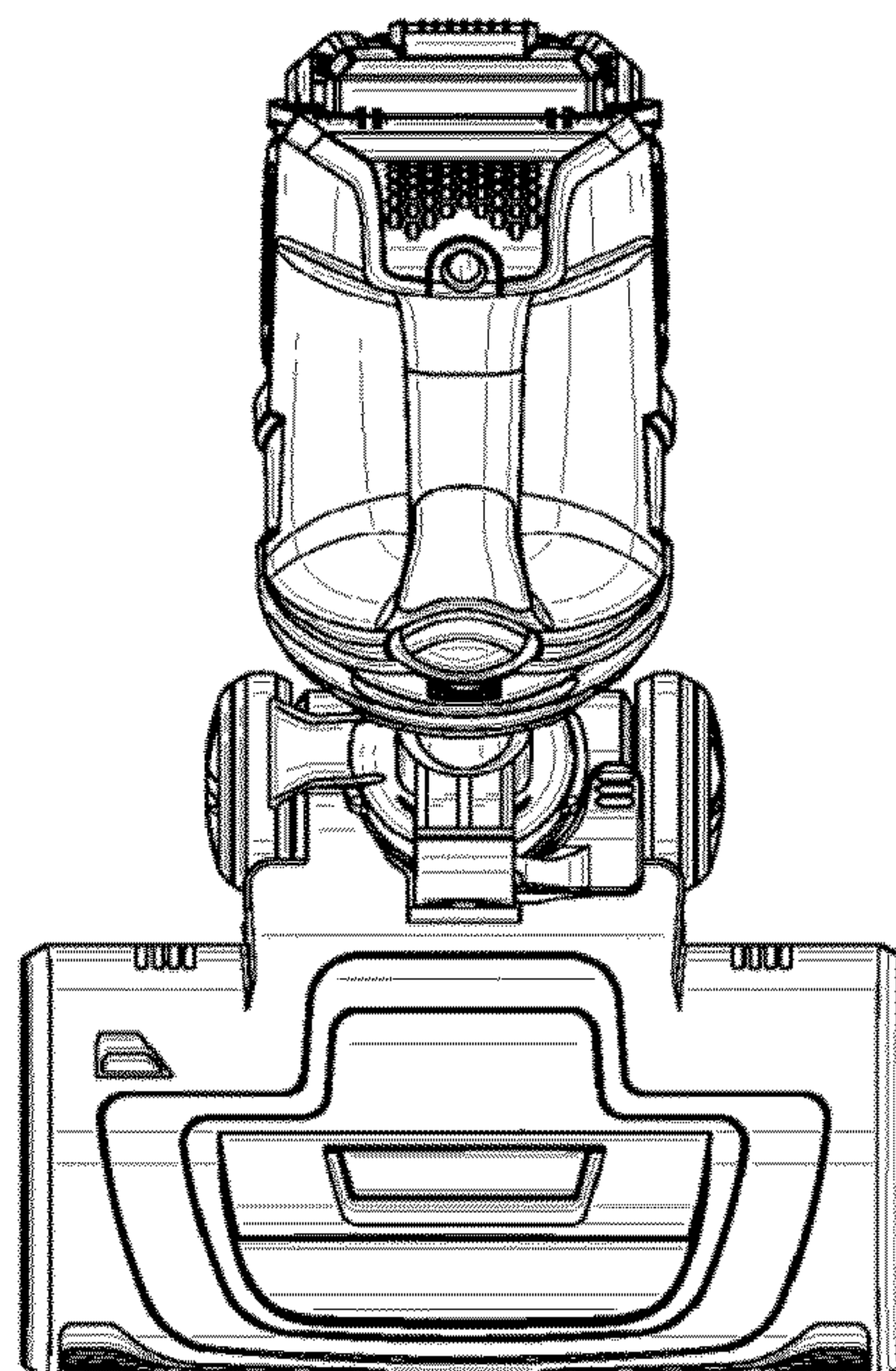


FIG. 6

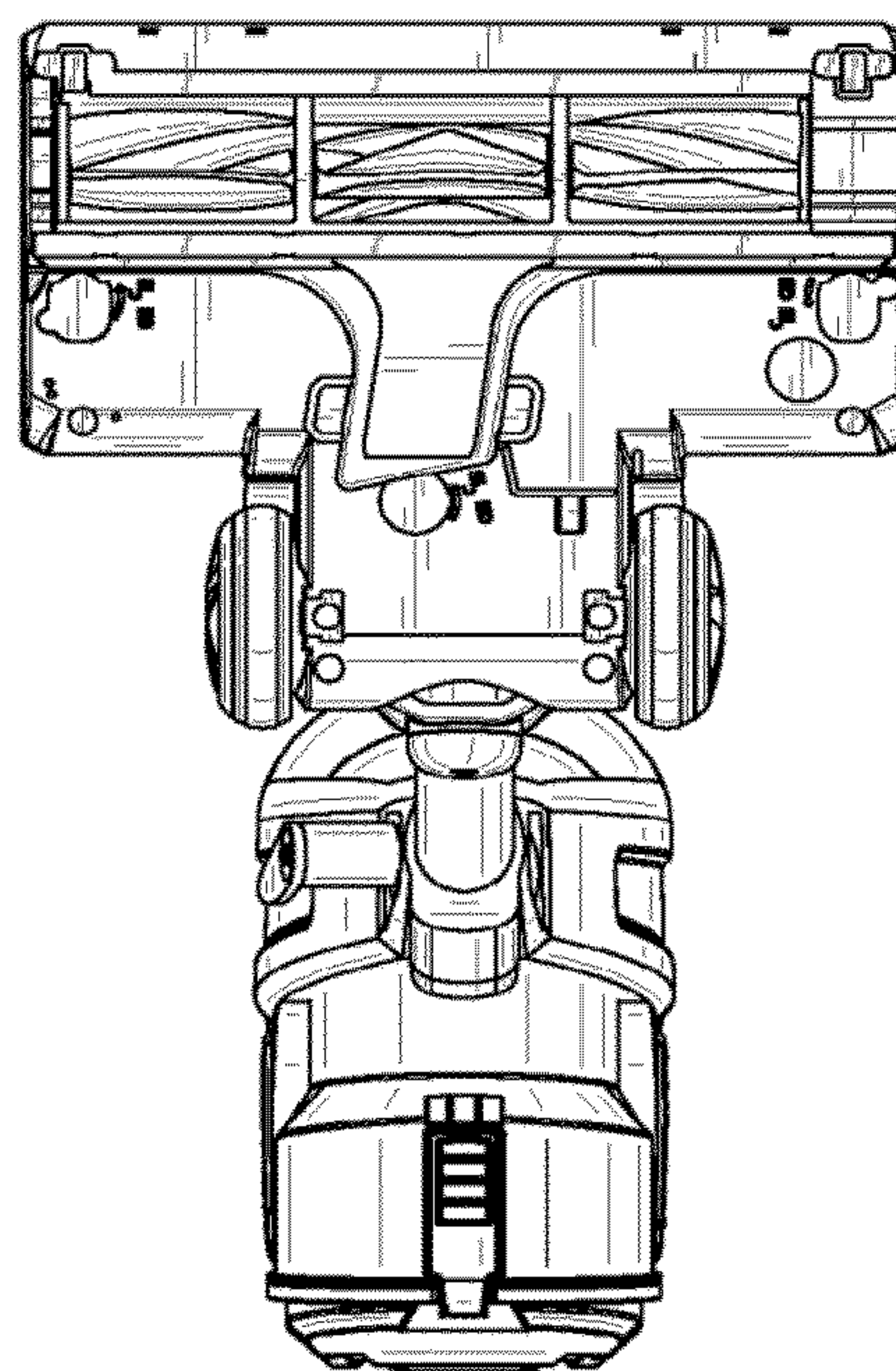


FIG. 7