



US00D738583S

(12) **United States Design Patent**
Gidwell et al.

(10) **Patent No.:** **US D738,583 S**
(45) **Date of Patent:** **** Sep. 8, 2015**

(54) **SURFACE CLEANING HEAD**

FOREIGN PATENT DOCUMENTS

(71) Applicant: **Euro-Pro Operating LLC**, Newton, MA (US)

JP D1139509 * 4/2002
KR 300432761-0000 * 12/2006

(Continued)

(72) Inventors: **Christopher Gidwell**, Auburndale, MA (US); **Gary Palladino**, Somerville, MA (US)

OTHER PUBLICATIONS

(73) Assignee: **Euro-Pro Operating LLC**, Newton, MA (US)

Amazon.com—Bissell FeatherWeight Vacuum Household Stick Vacuums, review Jan. 21, 2011, online, site visited Apr. 20, 2015, http://www.amazon.com/BISSELL-FeatherWeight-Bagless-3106B-3106-1/dp/B002X5RZAI/ref=sr_1_5?s=home-garden&ie=UTF8&qid=1429576143&s...

(Continued)

(**) Term: **14 Years**

(21) Appl. No.: **29/472,264**

Primary Examiner — John Windmuller

(22) Filed: **Nov. 11, 2013**

Assistant Examiner — John R Yeh

(51) **LOC (10) CI.** **15-05**

(74) *Attorney, Agent, or Firm* — Yang IPCo, PLLC

(52) **U.S. CI.**
USPC **D32/15; D32/25**

(58) **Field of Classification Search**
USPC D32/15–25, 31, 33; 15/386, 334, 350, 15/410–412, 328; 55/459.1–459.2; 464/177
CPC A47L 5/32; A47L 9/00; A47L 9/12; A47L 5/00

(57) **CLAIM**

The ornamental design for a surface cleaning head, as shown and described.

See application file for complete search history.

DESCRIPTION

(56) **References Cited**

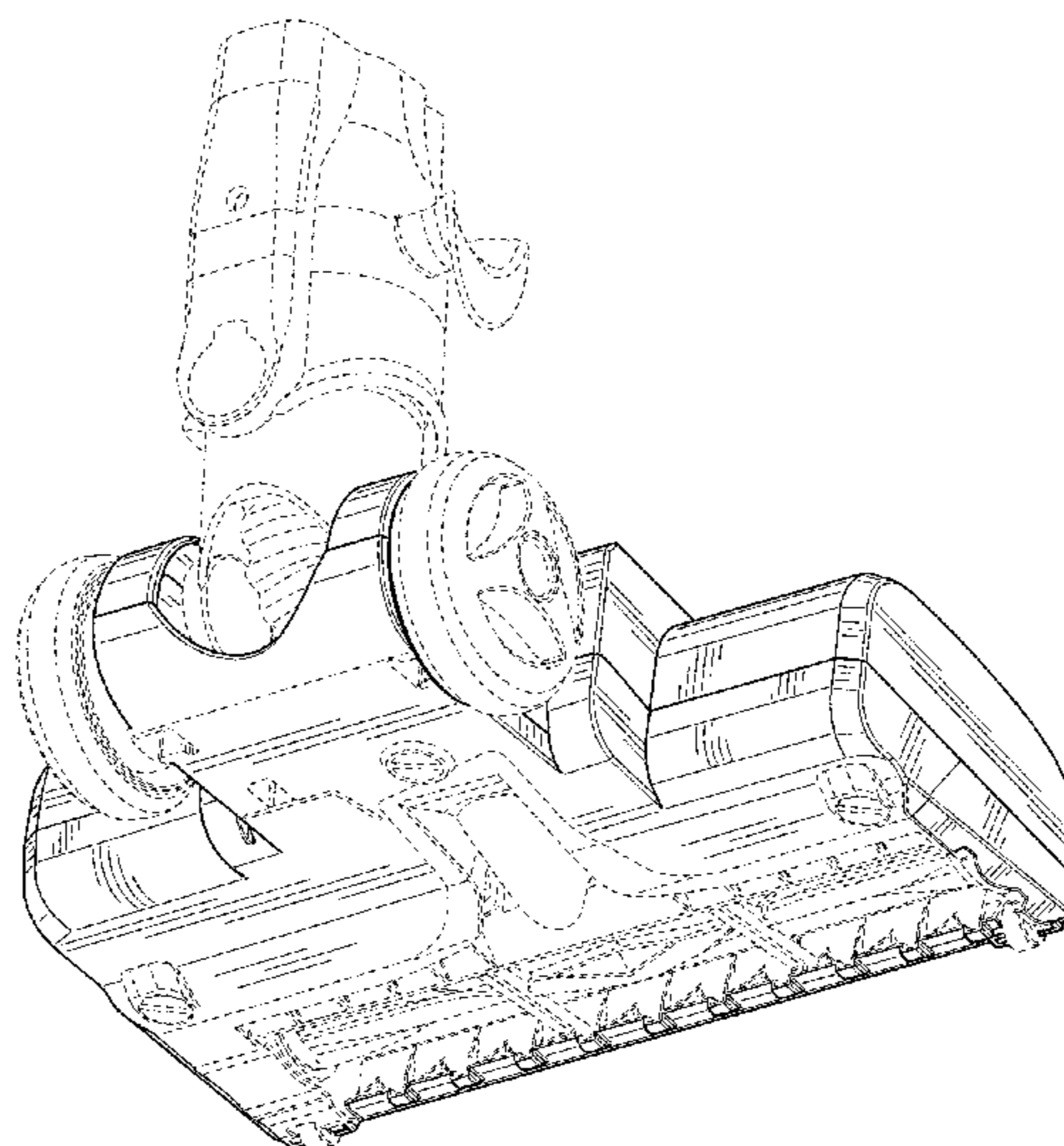
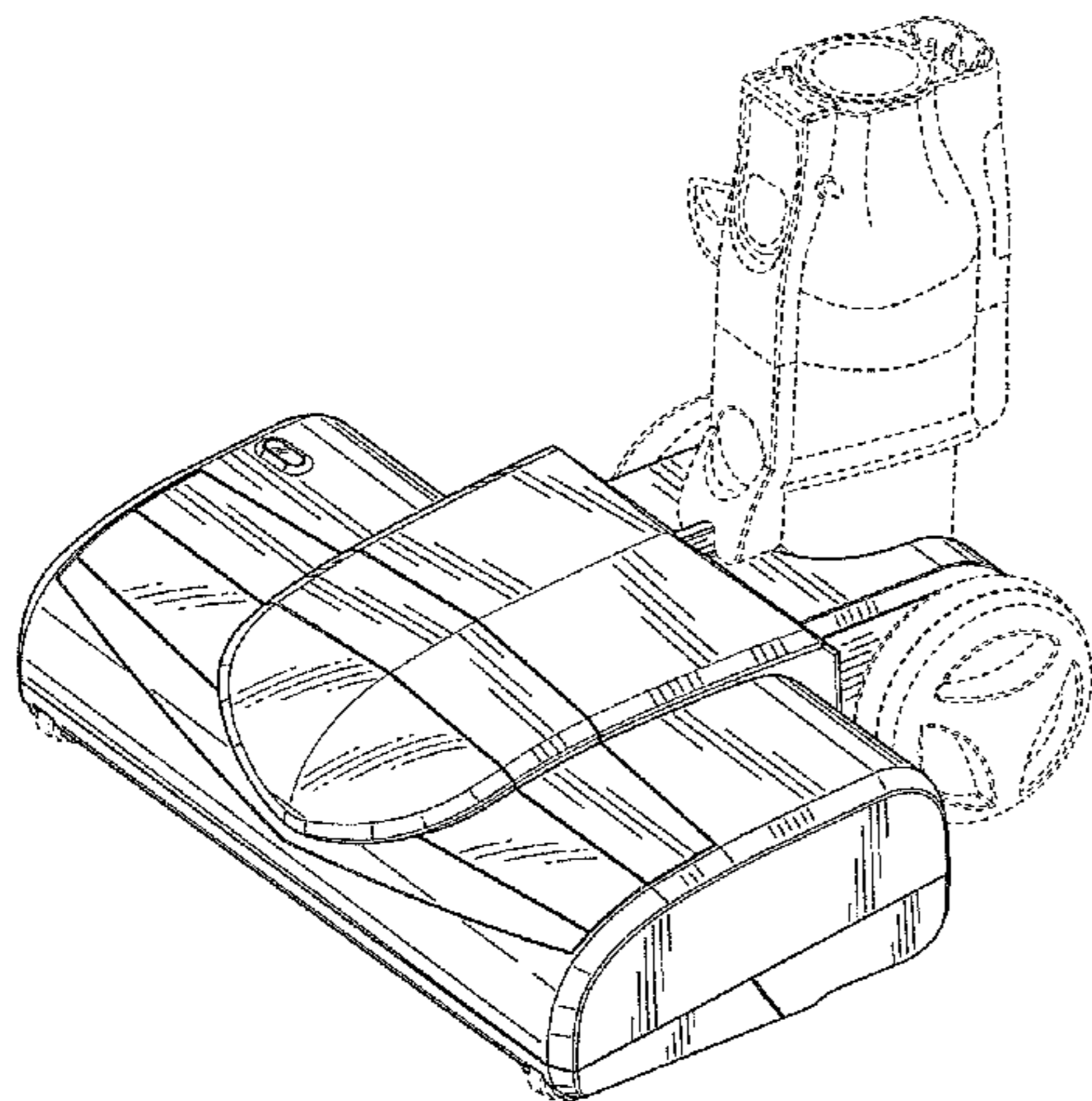
U.S. PATENT DOCUMENTS

3,608,333	A	*	9/1971	Selley et al.	464/177
6,101,669	A		8/2000	Martin et al.	
6,317,920	B1	*	11/2001	Brickner et al.	15/334
D515,754	S	*	2/2006	Kaido et al.	D32/22
D518,928	S	*	4/2006	Chiba	D32/22
D570,563	S	*	6/2008	Umeda et al.	D32/22
D577,163	S		9/2008	Dyson et al.	
D581,609	S		11/2008	Conrad et al.	
D585,608	S		1/2009	Conrad et al.	
D610,318	S	*	2/2010	Shin	D32/22

(Continued)

FIG. 1 is a perspective view from the front and above of the surface cleaning head of this invention;
FIG. 2 is a perspective view from the rear and below of the surface cleaning head of this invention;
FIG. 3 is a view of one side of the surface cleaning head of this invention;
FIG. 4 is a front view of the surface cleaning head of this invention;
FIG. 5 is a view of the other side of the surface cleaning head of this invention;
FIG. 6 is a rear view of the surface cleaning head of this invention;
FIG. 7 is a top view of the surface cleaning head of this invention; and,
FIG. 8 is a bottom view of the surface cleaning head of this invention.

1 Claim, 8 Drawing Sheets



(56)

References Cited

U.S. PATENT DOCUMENTS

7,931,716 B2 4/2011 Oakham
 D655,468 S * 3/2012 Karsan D32/33
 8,146,201 B2 4/2012 Conrad
 D660,532 S * 5/2012 Kim D32/22
 D668,010 S 9/2012 Stickney et al.
 D668,823 S 10/2012 Stickney et al.
 D671,283 S * 11/2012 Paterson D32/22
 D671,695 S * 11/2012 Seo et al. D32/18
 D695,980 S * 12/2013 Thorne D32/22
 8,677,554 B2 * 3/2014 Conrad 15/334
 8,689,395 B2 4/2014 Conrad
 8,739,358 B2 * 6/2014 Stephens et al. 15/331
 D722,211 S * 2/2015 Thackray et al. D32/22
 8,943,647 B1 * 2/2015 Henderson 15/347
 2007/0209142 A1 * 9/2007 Pullins et al. 15/334
 2010/0229328 A1 9/2010 Conrad
 2011/0209301 A1 * 9/2011 Seo et al. 15/300.1
 2011/0283476 A1 * 11/2011 Tam 15/328
 2012/0124769 A1 * 5/2012 Krebs et al. 15/319
 2014/0237754 A1 * 8/2014 Conrad 15/328
 2014/0237768 A1 * 8/2014 Conrad 15/353

2014/0245562 A1 * 9/2014 Conrad 15/323
 2015/0007409 A1 * 1/2015 Conrad 15/329
 2015/0040340 A1 * 2/2015 Bilger et al. 15/329
 2015/0096144 A1 * 4/2015 Conrad 15/353

FOREIGN PATENT DOCUMENTS

KR 300454660-0000 * 7/2007
 KR 300578464-0000 * 11/2010

OTHER PUBLICATIONS

Amazon.com Dirt Devil Swift Stick Bagless Stick Vacuum, M083410RED—Household Stick Vacuums, review Oct. 14, 2007, online, site visited Apr. 20, 2015, http://www.amazon.com/Dirt-Devil-Bagless-Vacuum-M083410RED/dp/B000BPAIHY/ref=sr_1_8?s=home-garden&ie=UTF8&qid=1429575588&sr=1-8.
 Amazon.com—Hoover Linx Cordless Stick Vacuum Cleaner, BH50010—Household Upright Vacuums, review Mar. 17, 2009, online, site visited Apr. 20, 2015, http://www.amazon.com/Hoover-Cordless-Vacuum-Cleaner-BH50010/dp/B001PB8EJ2/ref=sr_1_2?s=home-garden&ie=UTF8&qid=1429575298&sr=1-2.

* cited by examiner

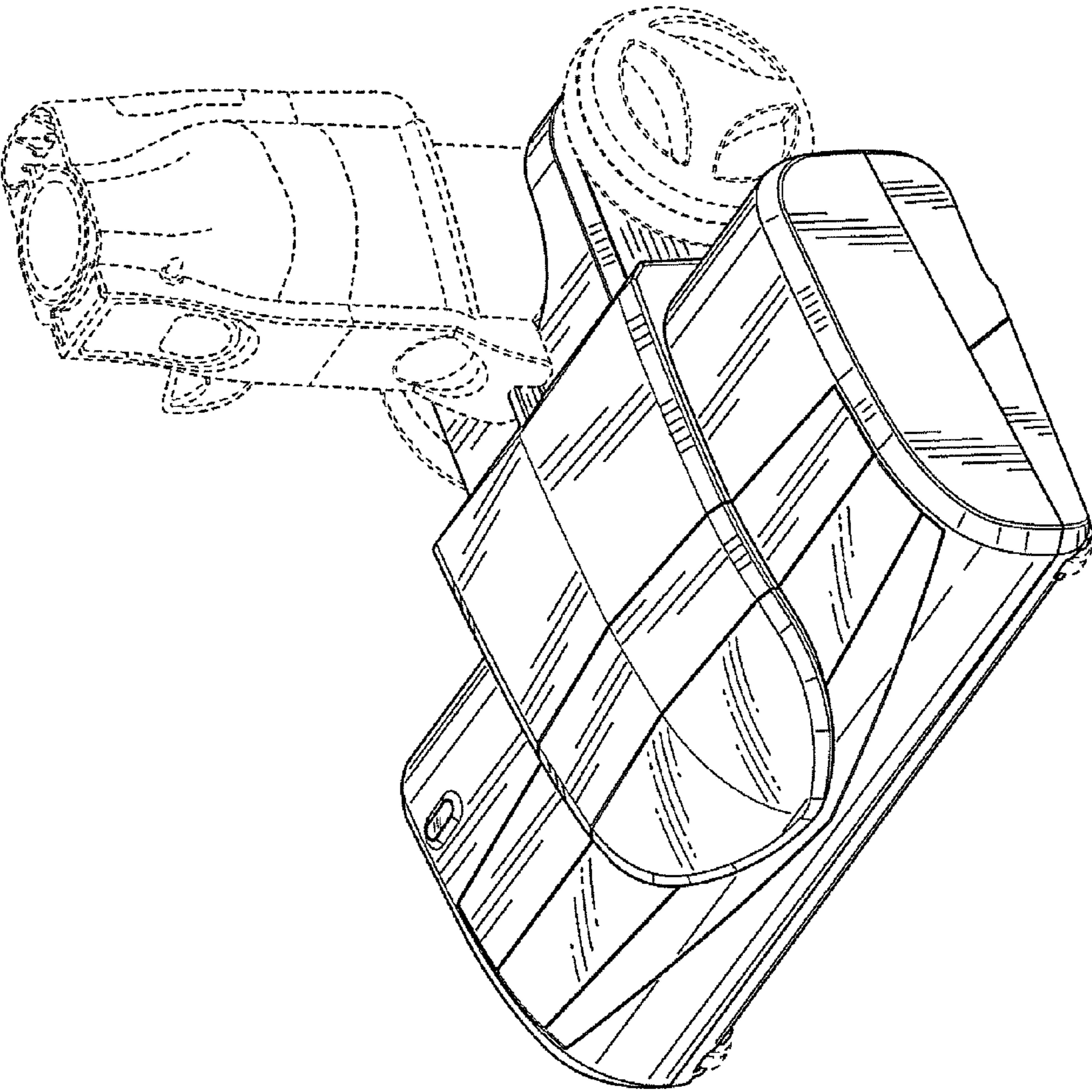


FIG. 1

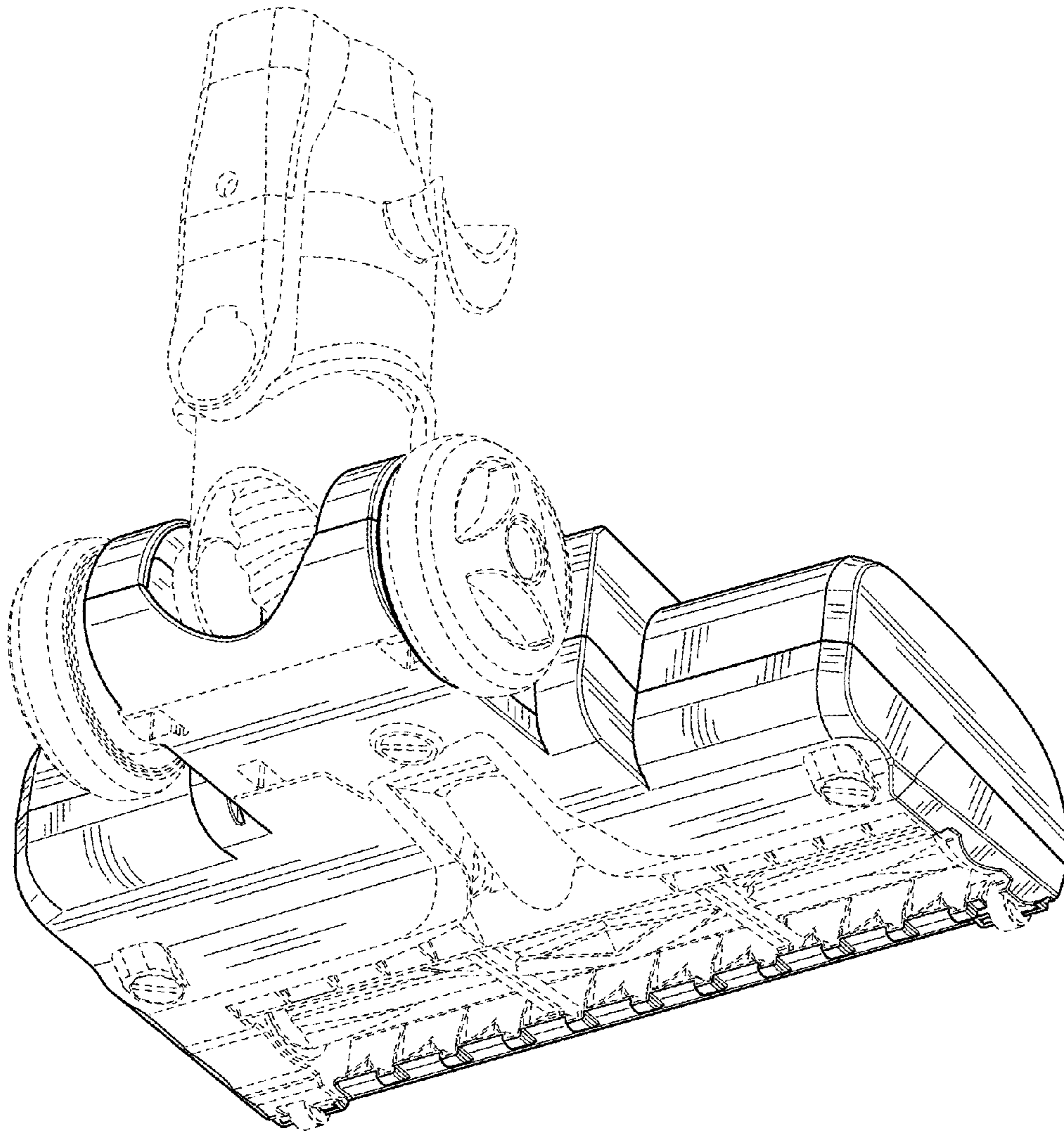


FIG. 2

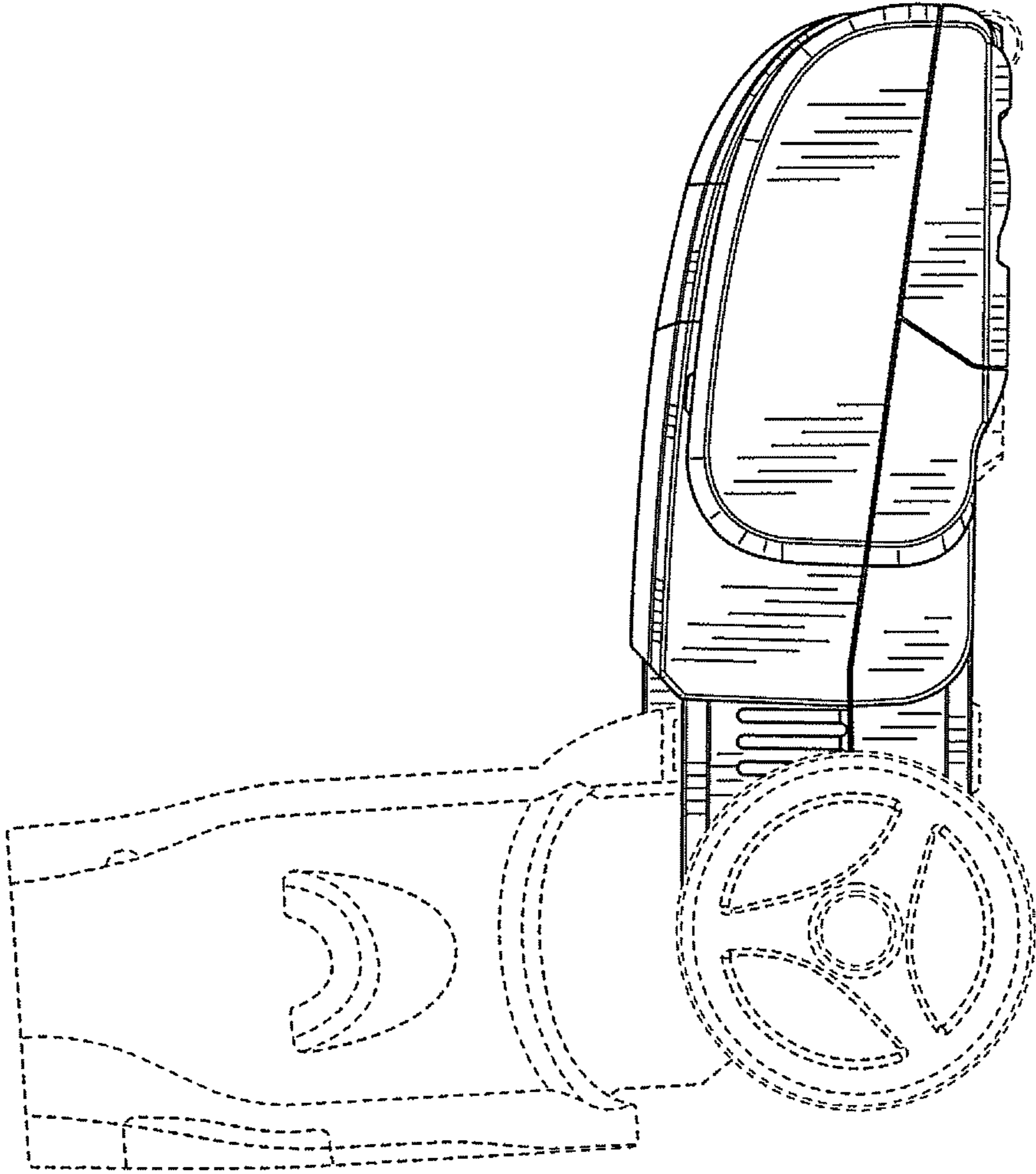


FIG. 3

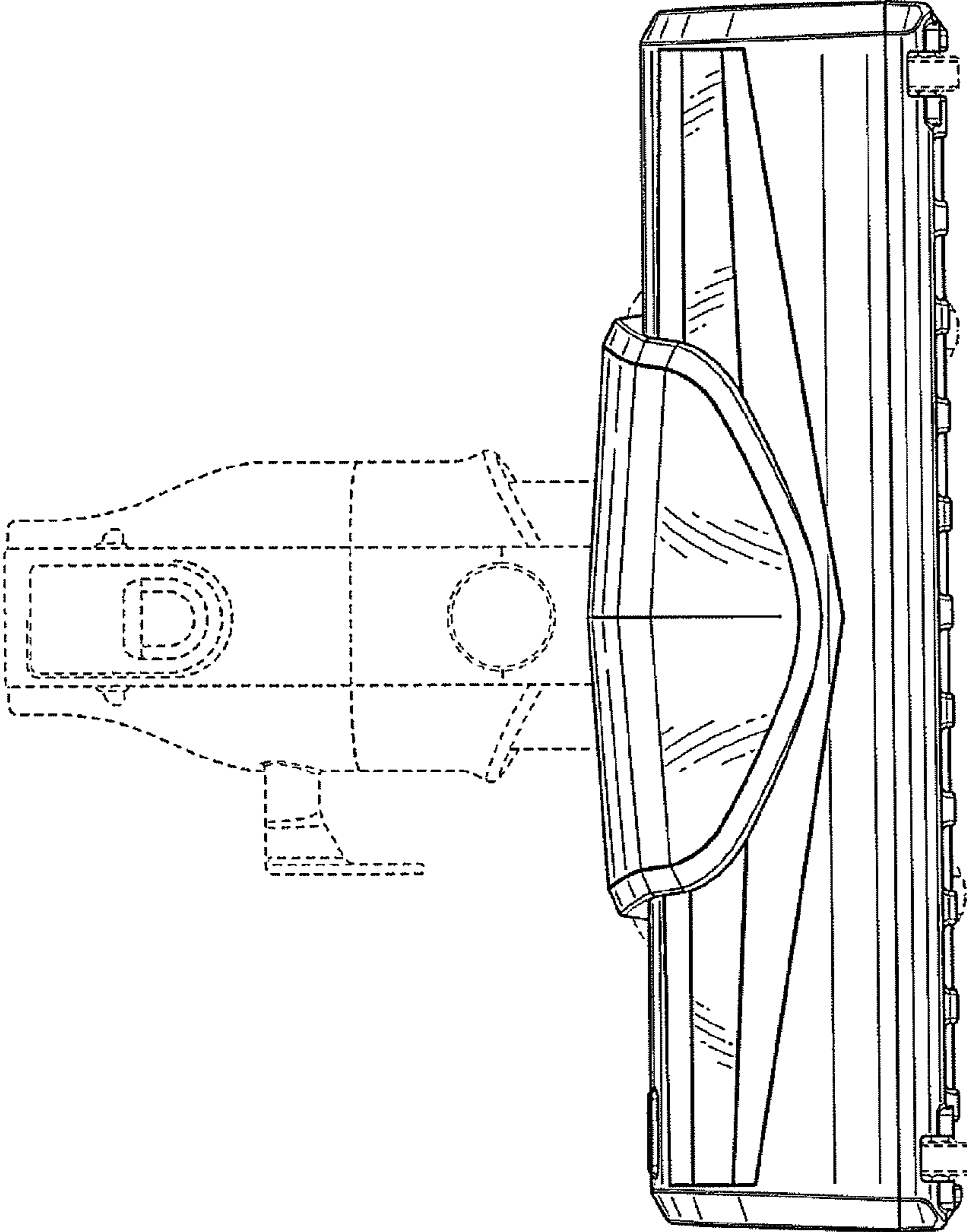


FIG. 4

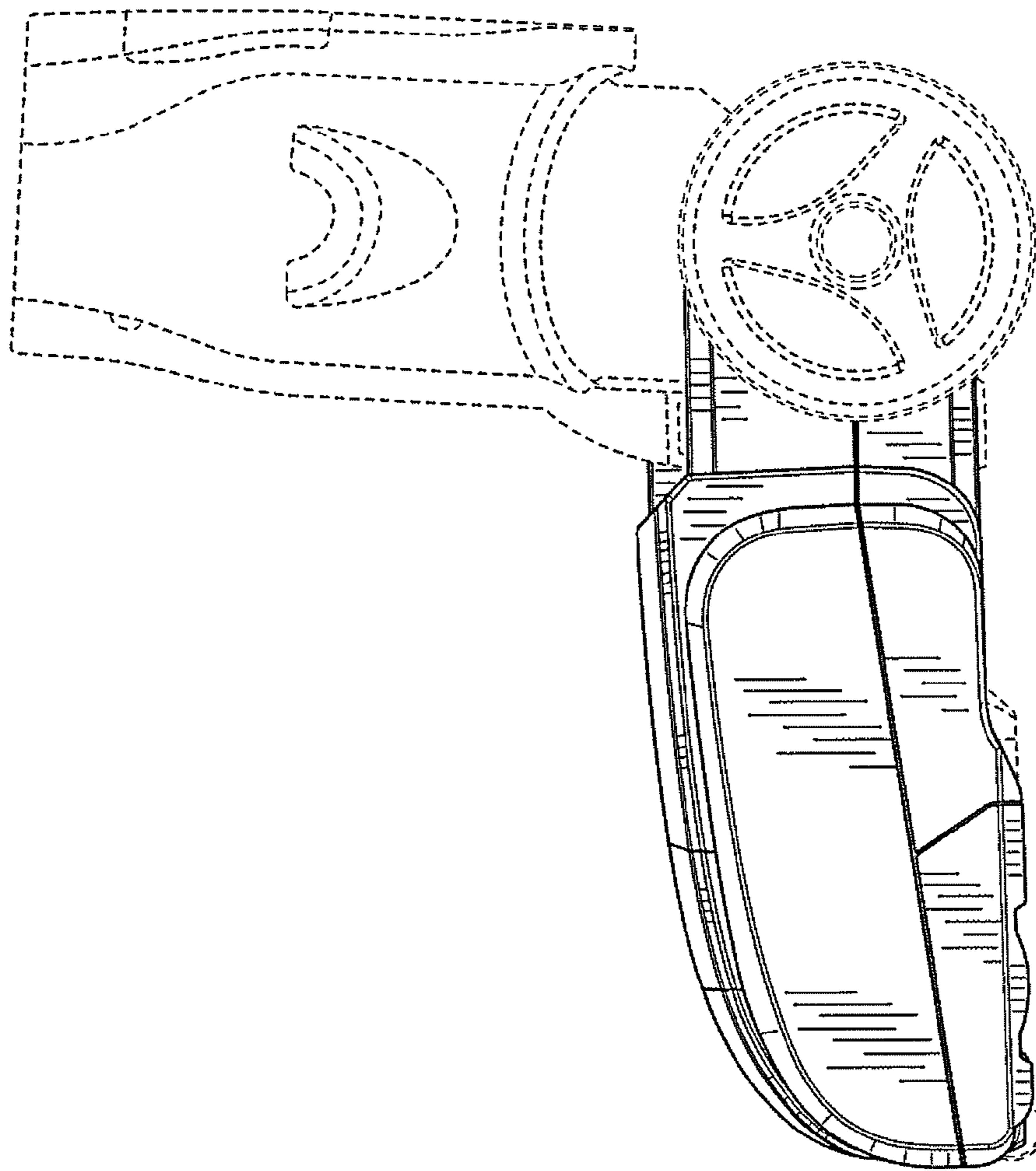


FIG. 5

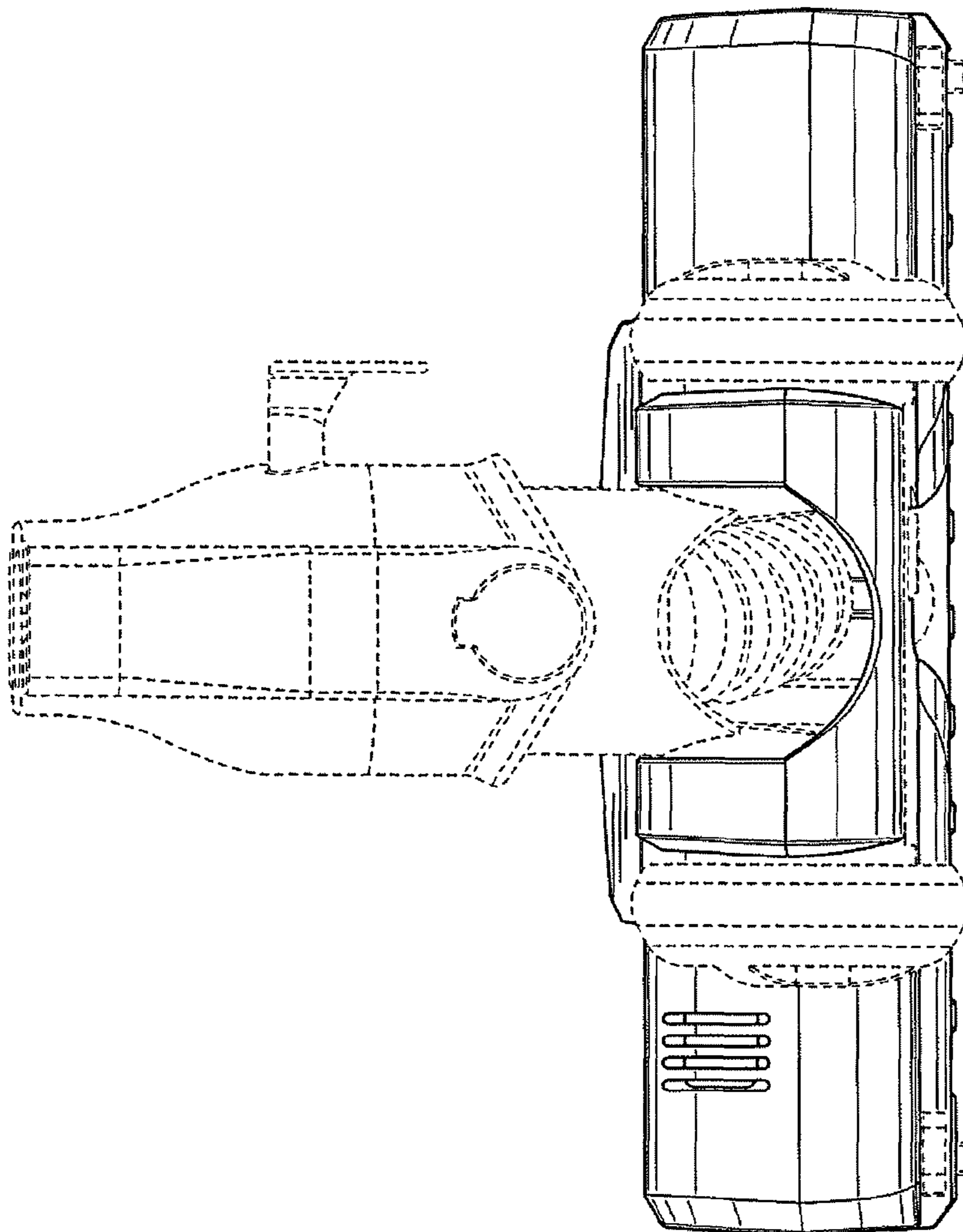


FIG. 6

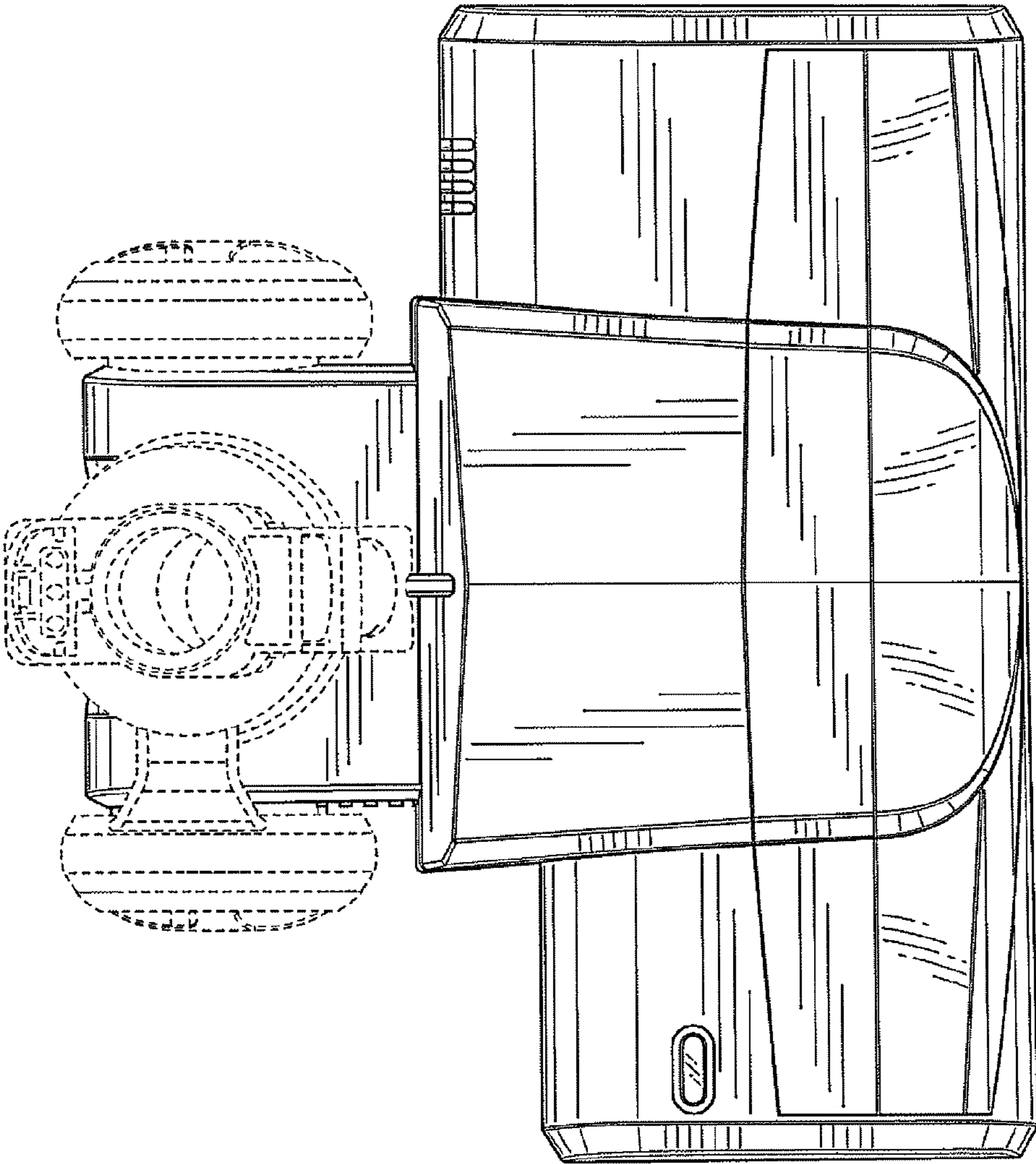


FIG. 7

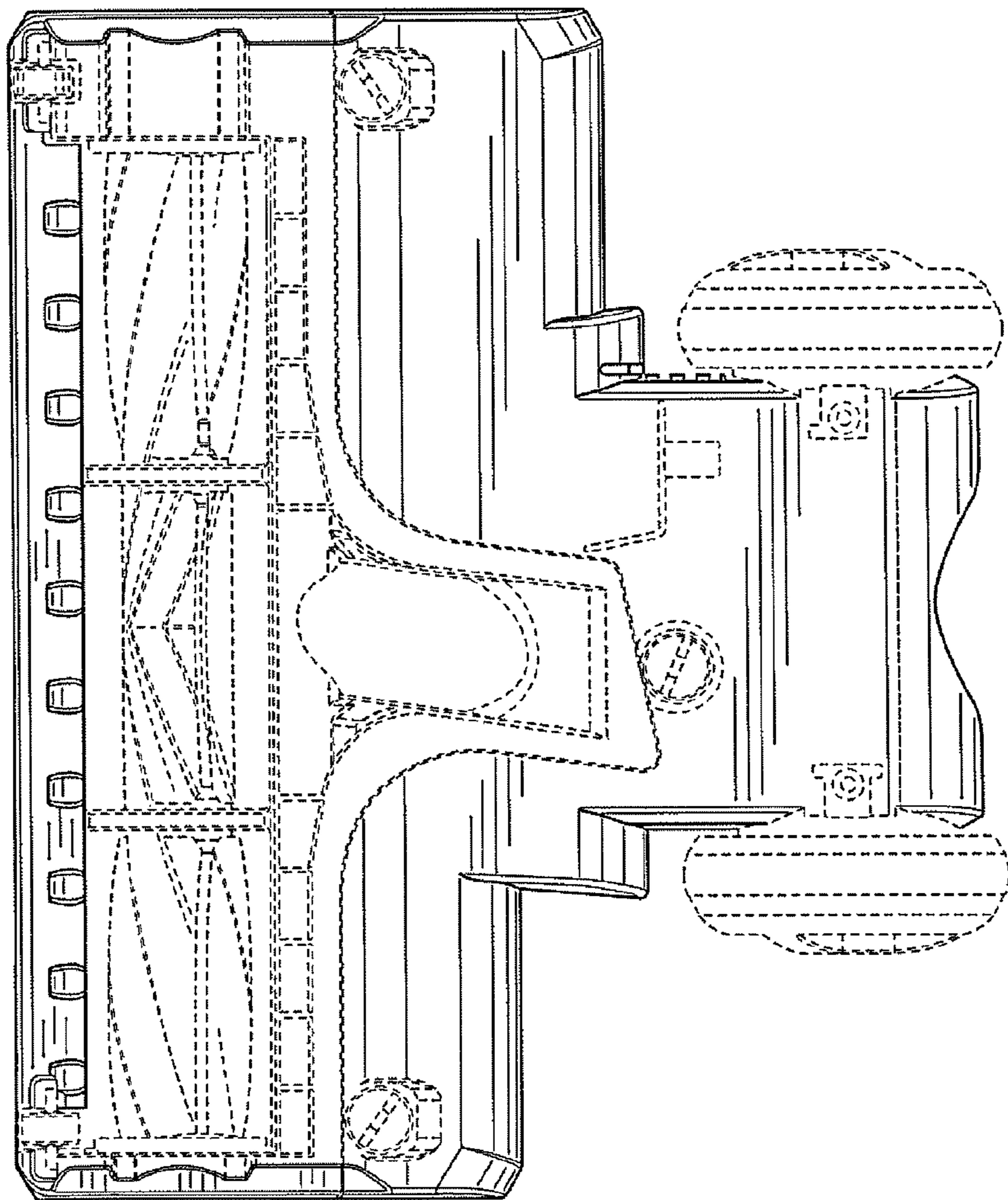


FIG. 8