



US00D738580S

(12) **United States Design Patent**
Elliott et al.

(10) **Patent No.:** **US D738,580 S**

(45) **Date of Patent:** **** Sep. 8, 2015**

(54) **PET SCRATCHER**

(71) Applicant: **Pet Fusion, LLC**, West Orange, NJ (US)

(72) Inventors: **Theodore Elliott**, West Orange, NJ (US); **Andrew Roost**, Fanwood, NJ (US)

(73) Assignee: **Pet Fusion, LLC**, West Orange, NJ (US)

(**) Term: **14 Years**

(21) Appl. No.: **29/488,189**

(22) Filed: **Apr. 16, 2014**

(51) **LOC (10) Cl.** **30-99**

(52) **U.S. Cl.**
USPC **D30/160**; D30/118; D6/601

(58) **Field of Classification Search**
USPC D30/160, 118; D2/869; D7/391-392, D7/392.1; 135/87, 125-126, 128; 119/702, 119/706-711, 28.5; D6/349, 601
CPC A01K 1/00; A01K 13/00; A01K 15/02; A01K 15/00; A01K 15/024; A01K 15/025; A01K 27/00; A01K 29/00; E04H 15/02
See application file for complete search history.

(56) **References Cited**

U.S. PATENT DOCUMENTS

D221,072 S *	7/1971	Arenhold	D6/349
D240,603 S *	7/1976	Bussey, Jr.	D9/456
D466,749 S	12/2002	O'Quinn		
D589,657 S	3/2009	Lamstein		
D627,110 S	11/2010	Seliskar		
D644,795 S	9/2011	Haaf		
D651,371 S	12/2011	Seliskar et al.		
D652,182 S	1/2012	Seliskar et al.		
D655,463 S	3/2012	Seliskar et al.		
D655,464 S	3/2012	Seliskar et al.		
D661,436 S	6/2012	Haaf et al.		
D663,492 S	7/2012	Haaf et al.		

OTHER PUBLICATIONS

Imperial Cat, Dachshund Recycled Paper Scratching Board, http://www.amazon.com/Dachshund-Recycled-Paper-Scratching-Board/dp/B0017JBB38/ref=pd_sim_sbs_petsupplies_6?ie=UTF8&refRID=1H0PT0JKHYAJGG62T823, accessed Apr. 22, 2014.

Imperial Cat, Large Regular Cat Scratcher, http://www.amazon.com/Large-Regular-Cat-Scratcher-Style/dp/B0017JDFBY/ref=pd_sim_petsupplies_5?ie=UTF8&refRID=1Y4FPEAZG1PHR5XD1QXH, accessed Apr. 22, 2014.

Catit, Style Scratcher with Catnip Tiger, http://www.amazon.com/Catit-Style-Scratcher-Catnip-Tiger/dp/B006JVPLCQ/ref=pd_sim_petsupplies_3?ie=UTF8&refRID=0WV2S1VKAQ0RV4035NR3, accessed Apr. 22, 2014.

Imperial Cat, Scoop Scratch and Shape, http://www.amazon.com/Imperial-Cat-Scoop-Scratch-Italian/dp/B002S449IK/ref=pd_sim_petsupplies_17?ie=UTF8&refRID=08S57NNWPCTFFD81EP8B, accessed Apr. 22, 2014.

Go Pet Club, Giant Lounge Recycled Paper Cat Scratching Board, <http://www.walmart.com/ip/Go-Pet-Club-Giant-Lounge-Recycled-Paper-Cat-Scratching-Board-with-Catnip-CP017/29346842>, accessed Apr. 22, 2014.

(Continued)

Primary Examiner — Cathy Anne MacCormac
(74) *Attorney, Agent, or Firm* — Myers Wolin, LLC

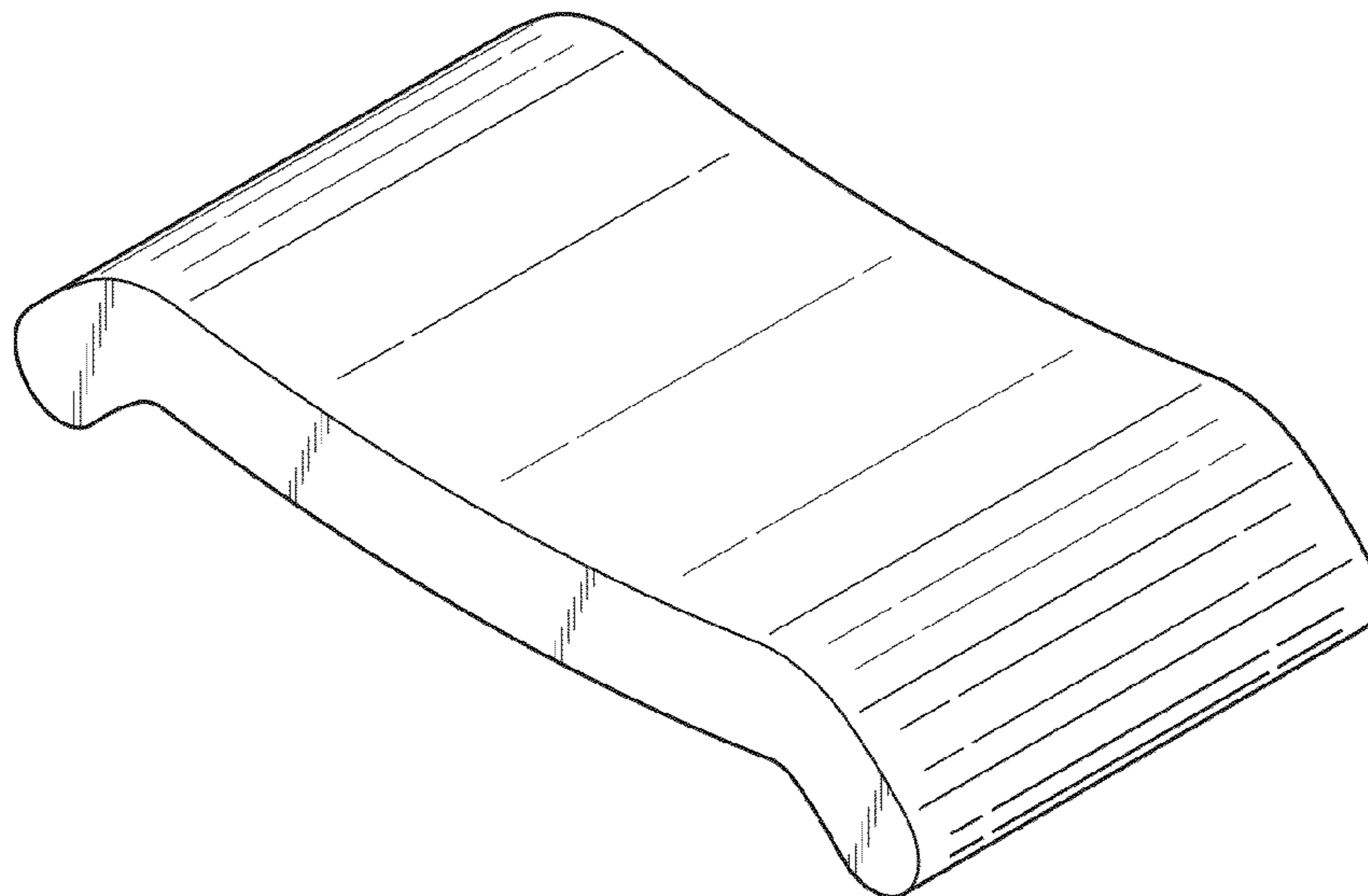
(57) **CLAIM**

The ornamental design for a pet scratcher, as shown and described.

DESCRIPTION

FIG. 1 is a perspective view of a pet scratcher showing our new design;
FIG. 2 is a top plan view thereof;
FIG. 3 is a front view thereof, the back view being identical;
FIG. 4 is a bottom plan view thereof; and,
FIG. 5 is right side view thereof; the left side view being identical.

1 Claim, 2 Drawing Sheets



(56)

References Cited

OTHER PUBLICATIONS

Kitticraft, Sling Scratcher, <http://kitticraft.com/shop/cat-scratch-furniture/sling-scratcher/>, accessed Apr. 22, 2014.

Imperial Cat, Scratch n Snooze Scratch n Shape, <http://www.walmart.com/ip/Scratch-n-Snooze-Scratch-n-Shape/19364872>, accessed Apr. 22, 2014.

Imperial Cat, Posh Recycled Paper Cat Scratching Board, <http://www.walmart.com/ip/Imperial-Cat-Posh-Cat-Scratcher/1643900>, accessed Apr. 22, 2014.

Unknown, Cardboard Chair and Cat Scratching Post in One, <http://www.pinterest.com/pin/398498267000415111/>, accessed Apr. 22, 2014.

* cited by examiner

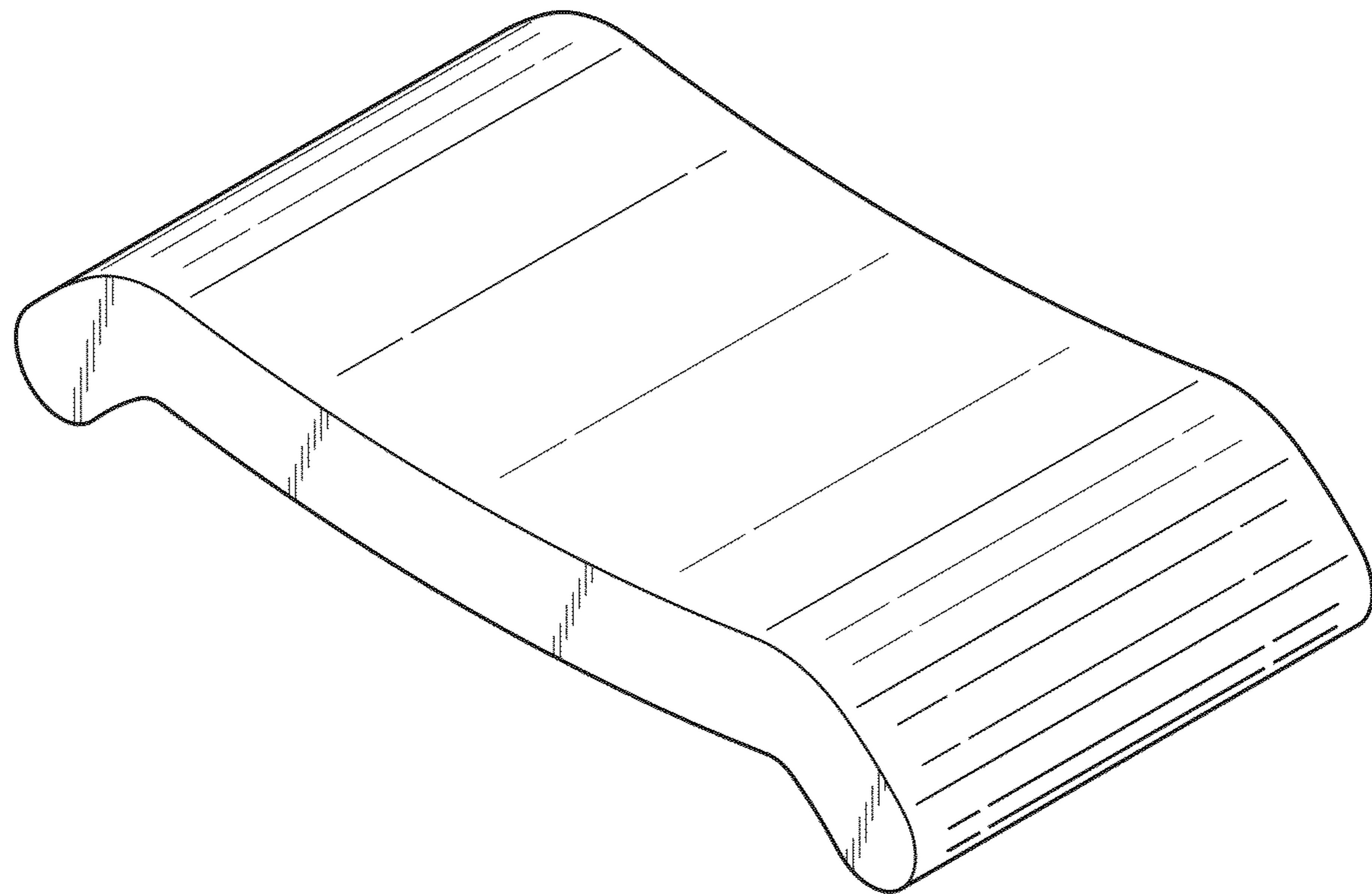


FIG. 1

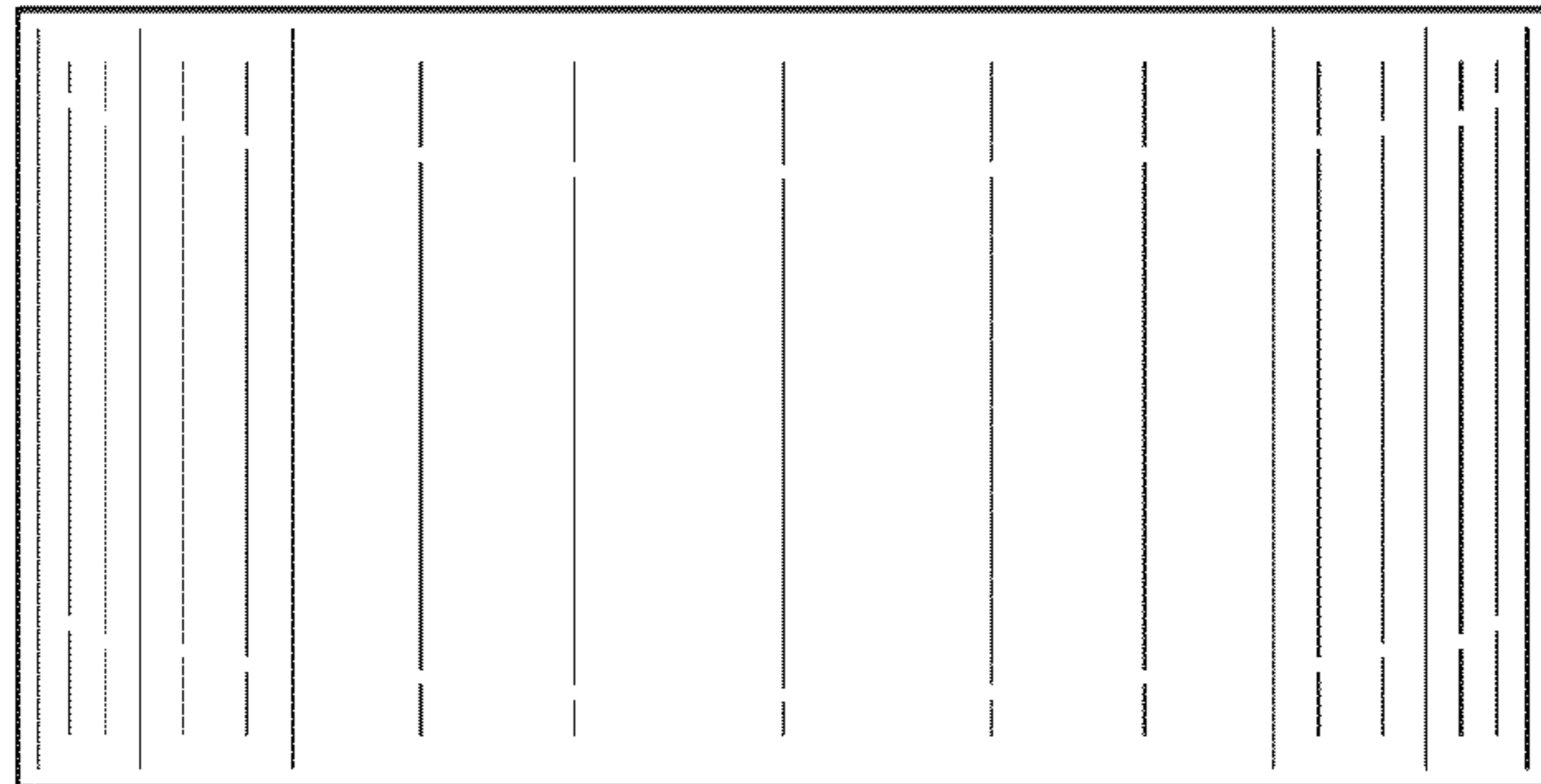


FIG. 2



FIG. 3

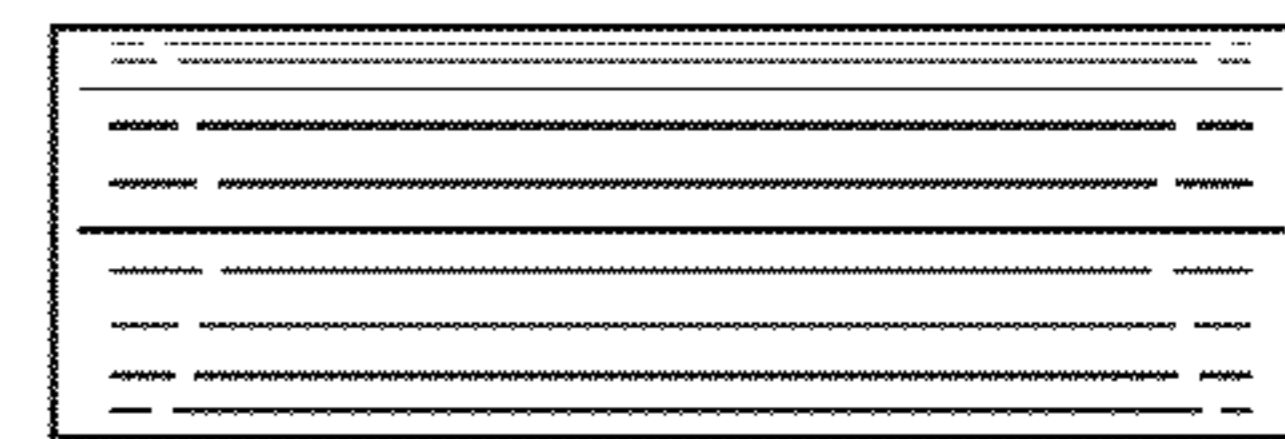


FIG. 5

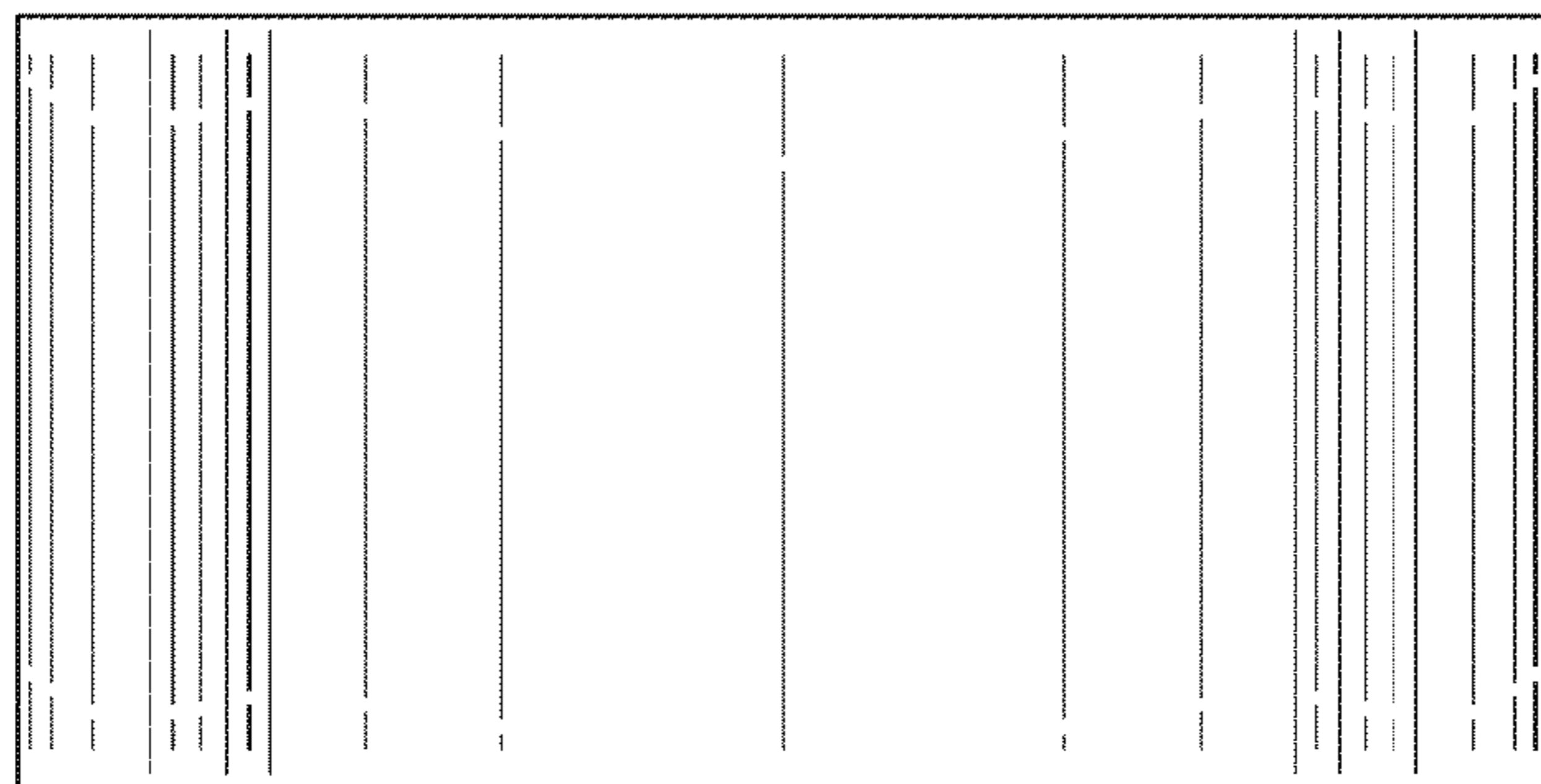


FIG. 4