



US00D738579S

(12) **United States Design Patent**
Owens et al.

(10) **Patent No.:** **US D738,579 S**
(45) **Date of Patent:** **** Sep. 8, 2015**

(54) **PET WATER FOUNTAIN**

(71) Applicant: **Radio Systems Corporation**, Knoxville, TN (US)

(72) Inventors: **Heather Owens**, Knoxville, TN (US);
Rock Huang, Shenzhen (CN)

(73) Assignee: **Radio Systems Corp.**, Knoxville, TN (US)

(**) Term: **14 Years**

(21) Appl. No.: **29/521,453**

(22) Filed: **Mar. 24, 2015**

(51) **LOC (10) Cl.** **30-03**

(52) **U.S. Cl.**
USPC **D30/132**

(58) **Field of Classification Search**

USPC D30/123, 129, 132, 121; 119/69.5, 673, 119/57.8, 68, 74, 61.57, 78-81, 61.4, 57.9, 119/51.5, 61.5, 72, 475; 47/66.6, 39, 67, 47/83; 239/280, 200, 281, 280.5, 273, 239/16-32; 4/644, 627, 638; D7/558; D11/144, 145, 153; D99/5, 24; 27/1; D23/201, 292, 204, 205, 214-216; 248/127, 132, 137, 138, 158, 910; 215/10; D6/353, 352, 484, 360, 480, D6/488; 219/521; 329/442, 459; 99/452, 99/483; 40/406, 407; 261/29, 106, 73; 137/560, 563, 801; 55/385.2; 417/527, 417/313; 431/292-294, 289; 362/101; D26/6, 9

CPC A01K 7/00; A01K 7/02; A01K 7/06; A01K 7/04; A01K 7/005; A01K 7/022; A01K 7/025; A01K 7/027; A01K 5/0216; A01K 39/02; F04B 23/00; F04B 23/02; F04B 23/021; F04B 23/026; B05B 17/08; B05B 17/085; B01D 35/30; Y10T 137/86035; Y10T 137/8376; Y10T 137/85954-137/85978

See application file for complete search history.

(56) **References Cited**

U.S. PATENT DOCUMENTS

597,851	A *	1/1898	Hunt	99/503
D30,528	S *	4/1899	Hightower	D22/122
D31,784	S *	11/1899	Howle	D7/360
D46,339	S *	9/1914	Hand	D7/665
1,243,126	A *	10/1917	Ziener	239/20
1,517,339	A *	12/1924	Brown	99/508
1,549,204	A *	8/1925	Merigold	239/20
1,552,076	A *	9/1925	Mosier	119/72
2,103,653	A *	12/1937	Weil	239/23
2,212,328	A *	8/1940	Scurlock	99/497
D123,236	S *	10/1940	Perlmutter	D9/616
2,239,393	A *	4/1941	Lipman	119/74
D150,854	S *	9/1948	Herrera, Jr.	D9/616
2,474,469	A *	6/1949	De La Grange	119/74

(Continued)

Primary Examiner — Susan Moon Lee

(74) *Attorney, Agent, or Firm* — Peter L. Brewer; Baker Donelson

(57) **CLAIM**

The ornamental design for a pet water fountain, as shown and described.

DESCRIPTION

FIG. 1 is a perspective view showing our new design for a pet water fountain.

FIG. 2 is a top plan view thereof.

FIG. 3 is a bottom plan view thereof.

FIG. 4 is a right side elevational view thereof.

FIG. 5 is a left side elevational view thereof.

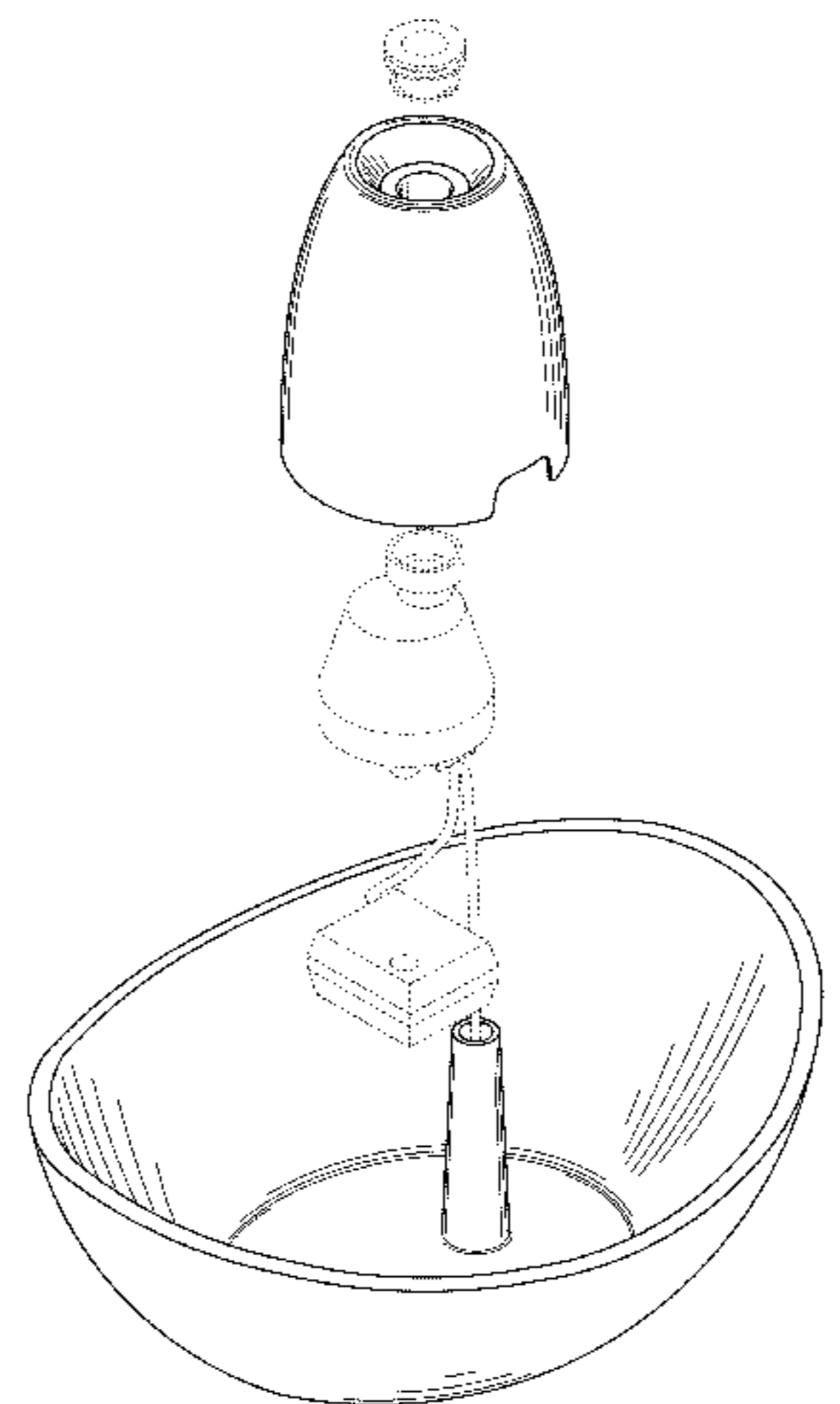
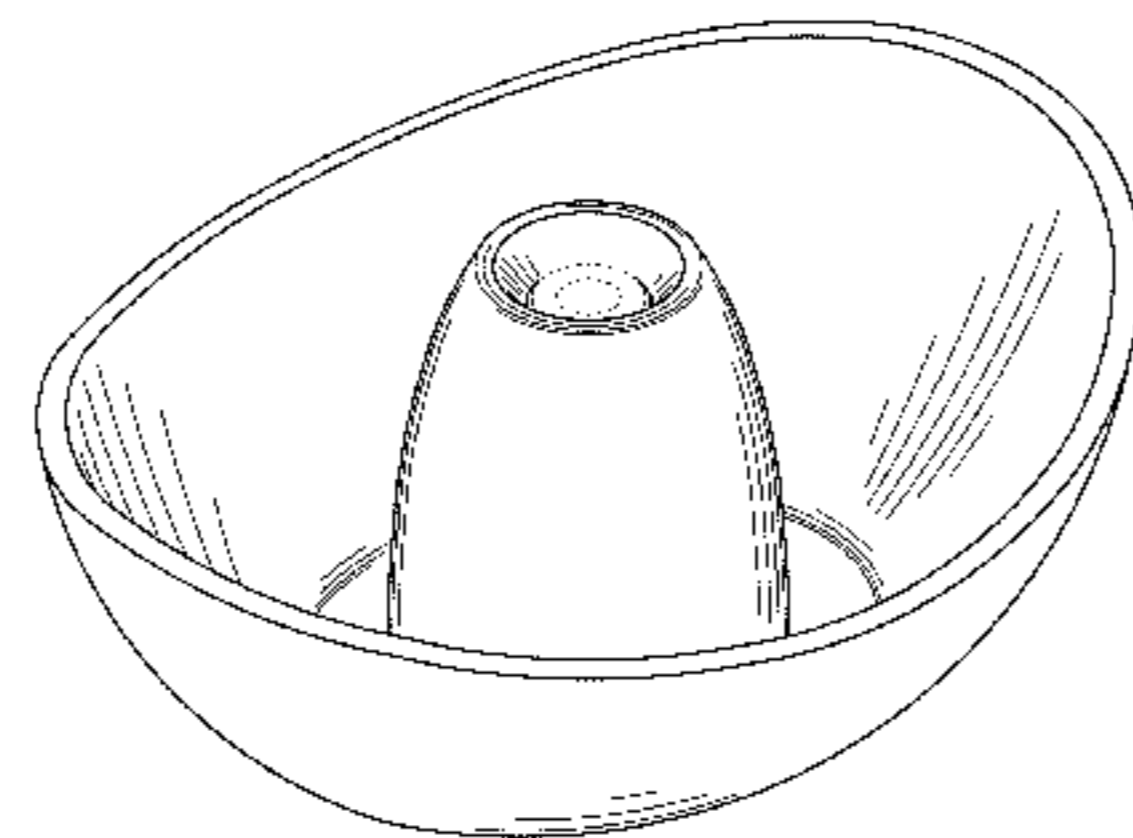
FIG. 6 is a front elevational view thereof.

FIG. 7 is a back elevational view thereof; and,

FIG. 8 is a perspective view of the pet water fountain, with certain components shown in exploded-apart relation. A water pumping system is shown in phantom.

The structural features shown in broken lines have been shown for the purpose of illustrating portions of the pet water fountain that form no part of the claimed design.

1 Claim, 5 Drawing Sheets



(56)

References Cited

U.S. PATENT DOCUMENTS

- | | | | | | |
|--------------|------|---------|-------------------|-------|-----------|
| D156,331 | S * | 12/1949 | French | | D30/129 |
| D163,084 | S * | 5/1951 | Biener | | D6/536 |
| 2,623,561 | A * | 12/1952 | Higley | | 99/505 |
| 2,661,679 | A * | 12/1953 | Van Guilder | | 249/139 |
| D172,390 | S * | 6/1954 | Hooe | | D7/665 |
| 2,720,056 | A * | 10/1955 | Levy | | 47/41.01 |
| D178,588 | S * | 8/1956 | Woodson | | D7/556 |
| 2,978,837 | A * | 4/1961 | Daniels | | 47/32 |
| D193,308 | S * | 7/1962 | Jackson | | D7/501 |
| D194,325 | S * | 1/1963 | Swett | | D7/505 |
| D196,777 | S * | 11/1963 | Haynes | | D30/132 |
| 3,205,860 | A * | 9/1965 | Moore | | 119/52.4 |
| 3,399,858 | A * | 9/1968 | Luker | | 249/117 |
| 3,413,128 | A * | 11/1968 | Steinbarth et al. | | 426/115 |
| D215,907 | S * | 11/1969 | Little | | D28/93 |
| 3,491,724 | A * | 1/1970 | Sunner | | 119/61.54 |
| D216,674 | S * | 3/1970 | Saji | | D9/616 |
| D220,230 | S * | 3/1971 | Friedman | | D28/93 |
| 3,756,462 | A * | 9/1973 | Cain | | 220/23.83 |
| 3,896,586 | A * | 7/1975 | Caldwell | | 47/21.1 |
| D245,408 | S * | 8/1977 | Baumann et al. | | D11/155 |
| 4,085,706 | A * | 4/1978 | Evans | | 119/61.54 |
| D253,272 | S * | 10/1979 | Ottier | | D7/545 |
| D263,915 | S * | 4/1982 | Kohan | | D7/551.1 |
| D273,430 | S * | 4/1984 | Salinas | | D30/130 |
| D291,181 | S * | 8/1987 | Franco | | D9/428 |
| 4,717,051 | A * | 1/1988 | Leclerc | | 222/545 |
| D294,670 | S * | 3/1988 | Kurtz | | D7/504 |
| D316,686 | S * | 5/1991 | Tardif | | D11/148 |
| D318,416 | S * | 7/1991 | Jacobs | | D9/628 |
| D322,911 | S * | 1/1992 | Schmengler | | D7/359 |
| D323,268 | S * | 1/1992 | Reiman | | D8/1 |
| 5,088,392 | A * | 2/1992 | Ancona et al. | | 99/499 |
| D326,587 | S * | 6/1992 | Convertini | | D7/540 |
| 5,301,602 | A * | 4/1994 | Ryczek | | 99/345 |
| D347,143 | S * | 5/1994 | Awyong | | D7/354 |
| D351,762 | S * | 10/1994 | Williams et al. | | D7/547 |
| D360,112 | S * | 7/1995 | McEntee | | D7/584 |
| 5,456,210 | A * | 10/1995 | Miller | | 119/75 |
| 5,467,738 | A * | 11/1995 | Cass | | 119/61.53 |
| D364,779 | S * | 12/1995 | Markarian | | D7/538 |
| D369,717 | S * | 5/1996 | Chiba | | D7/354 |
| 5,575,198 | A * | 11/1996 | Lowery | | 99/426 |
| 5,628,276 | A * | 5/1997 | Raposa | | 119/61.54 |
| D382,511 | S * | 8/1997 | Azarian | | D11/143 |
| 5,676,050 | A * | 10/1997 | Beck | | 99/428 |
| D389,011 | S * | 1/1998 | DeCoster | | D7/387 |
| 5,743,423 | A * | 4/1998 | Franco | | 220/23.86 |
| D397,581 | S * | 9/1998 | Lowery | | D7/409 |
| D399,101 | S * | 10/1998 | Lillelund et al. | | D7/665 |
| D407,954 | S * | 4/1999 | Lehn | | D7/665 |
| D412,297 | S * | 7/1999 | Roach | | D11/152 |
| D421,549 | S * | 3/2000 | Hints | | D7/555 |
| 6,119,585 | A * | 9/2000 | Guidry | | 99/345 |
| D437,522 | S * | 2/2001 | Measom | | D7/354 |
| 6,192,792 | B1 * | 2/2001 | Gremillion | | 99/426 |
| D441,315 | S * | 5/2001 | Huffman | | D11/143 |
| 6,257,560 | B1 * | 7/2001 | Kim | | 261/36.1 |
| 6,311,640 | B1 * | 11/2001 | Mercado | | 119/51.01 |
| D453,488 | S * | 2/2002 | McCauley | | D11/152 |
| 6,450,122 | B1 * | 9/2002 | Frank | | 119/259 |
| 6,467,399 | B1 * | 10/2002 | Boutte | | 99/347 |
| 6,575,082 | B1 * | 6/2003 | Liao | | 99/340 |
| D484,754 | S * | 1/2004 | Schuler | | D7/665 |
| 6,705,540 | B2 * | 3/2004 | Koshiyama et al. | | 239/17 |
| D488,741 | S * | 4/2004 | Moya | | D11/143 |
| D504,581 | S * | 5/2005 | Kim et al. | | D6/677 |
| D513,821 | S * | 1/2006 | Kenig | | D1/106 |
| D533,162 | S * | 12/2006 | Lovegreen et al. | | D14/191 |
| D558,519 | S * | 1/2008 | Zemel | | D7/409 |
| D559,472 | S * | 1/2008 | Abinanti et al. | | D30/129 |
| D562,071 | S * | 2/2008 | Yang | | D7/505 |
| D564,286 | S * | 3/2008 | Zemel | | D7/354 |
| 7,337,711 | B2 * | 3/2008 | Holcomb et al. | | 99/508 |
| D582,102 | S * | 12/2008 | Roes | | D30/132 |
| D587,529 | S * | 3/2009 | Pratt | | D7/555 |
| D598,224 | S * | 8/2009 | Zanini | | D11/152 |
| 7,690,585 | B1 * | 4/2010 | Johns et al. | | 239/16 |
| D627,257 | S * | 11/2010 | Blevins et al. | | D11/155 |
| 7,823,538 | B1 * | 11/2010 | Merager | | 119/72 |
| 7,879,381 | B2 * | 2/2011 | Dow et al. | | 426/523 |
| D657,612 | S * | 4/2012 | Cloutier et al. | | D7/354 |
| D664,011 | S * | 7/2012 | Affonso | | D7/665 |
| D681,887 | S * | 5/2013 | Fang | | D30/132 |
| D681,888 | S * | 5/2013 | Fang | | D30/132 |
| D682,482 | S * | 5/2013 | Nelson | | D30/129 |
| D689,245 | S * | 9/2013 | Rowe et al. | | D30/132 |
| D693,730 | S * | 11/2013 | Zak et al. | | D11/148 |
| D694,477 | S * | 11/2013 | Rowe et al. | | D30/132 |
| D704,903 | S * | 5/2014 | Fang | | D30/132 |
| D707,493 | S * | 6/2014 | Frei | | D7/558 |
| D709,655 | S * | 7/2014 | Lipscomb | | D30/132 |
| 2010/0095897 | A1 * | 4/2010 | Rowe | | 119/72 |
| 2011/0067638 | A1 * | 3/2011 | Lipscomb et al. | | 119/74 |
| 2011/0219959 | A1 * | 9/2011 | Hauser | | 99/508 |
| 2012/0216751 | A1 * | 8/2012 | Rowe | | 119/72 |
| 2013/0174790 | A1 * | 7/2013 | Lipscomb | | 119/74 |

* cited by examiner

FIG. 1

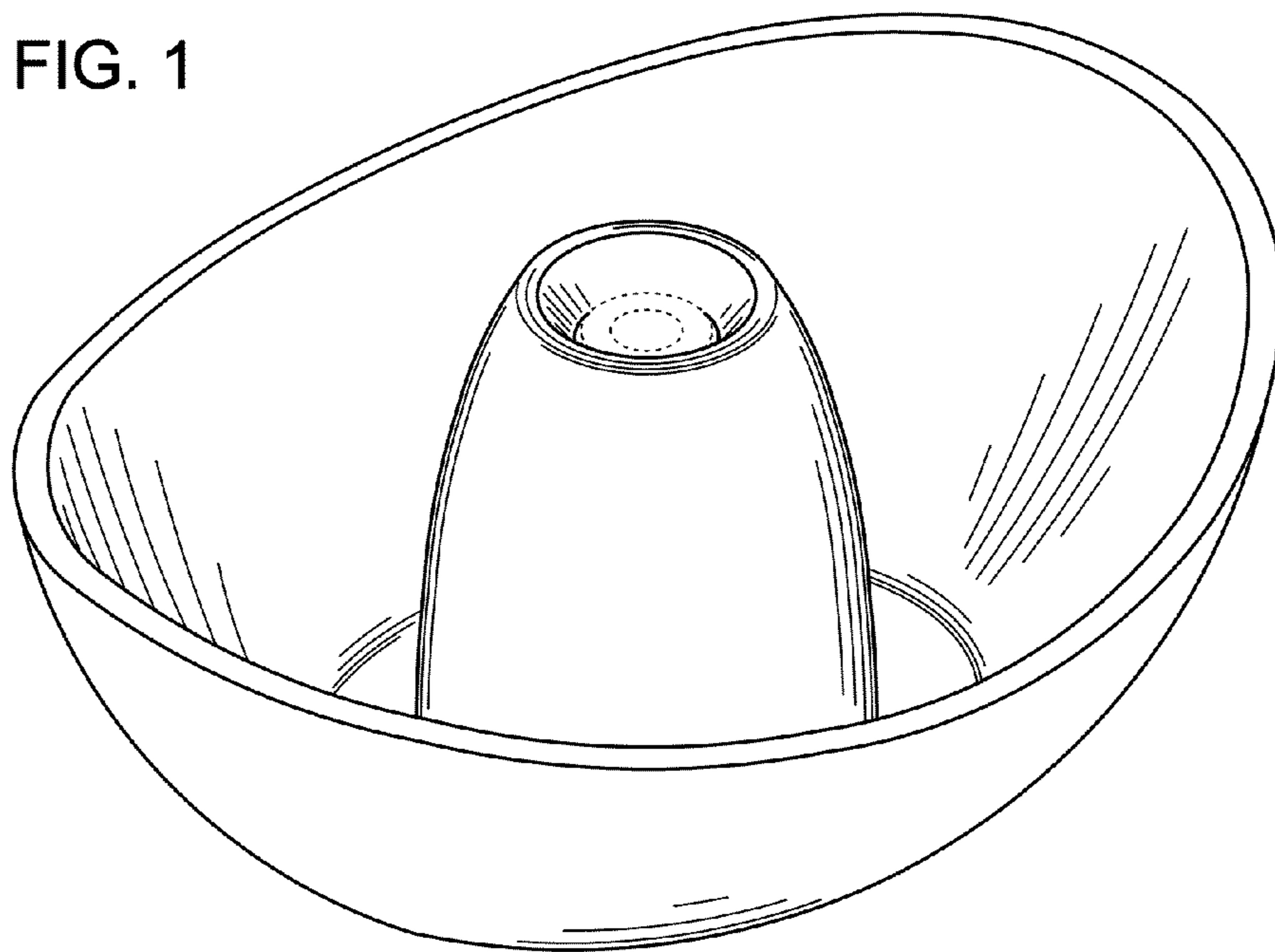


FIG. 2

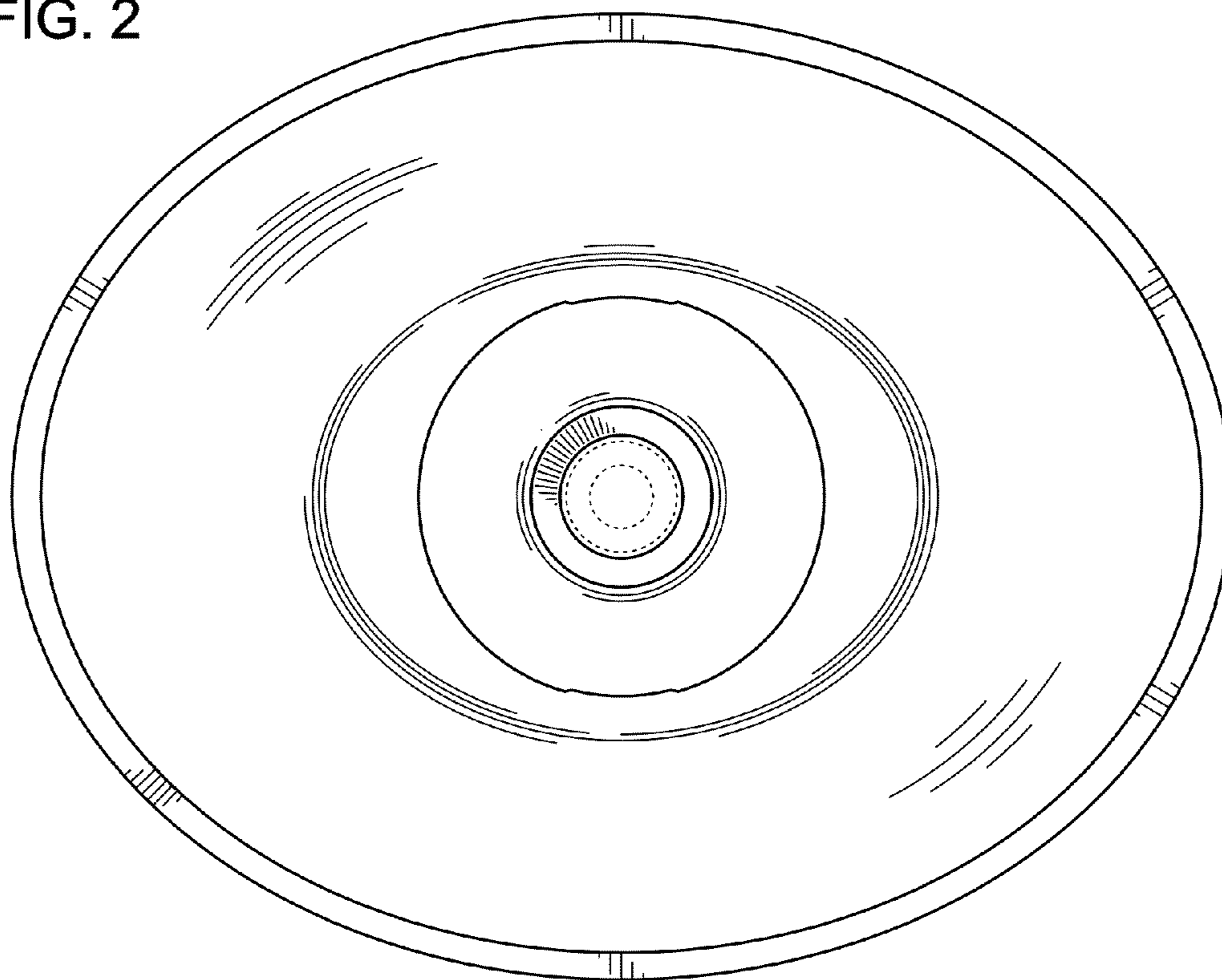


FIG. 3

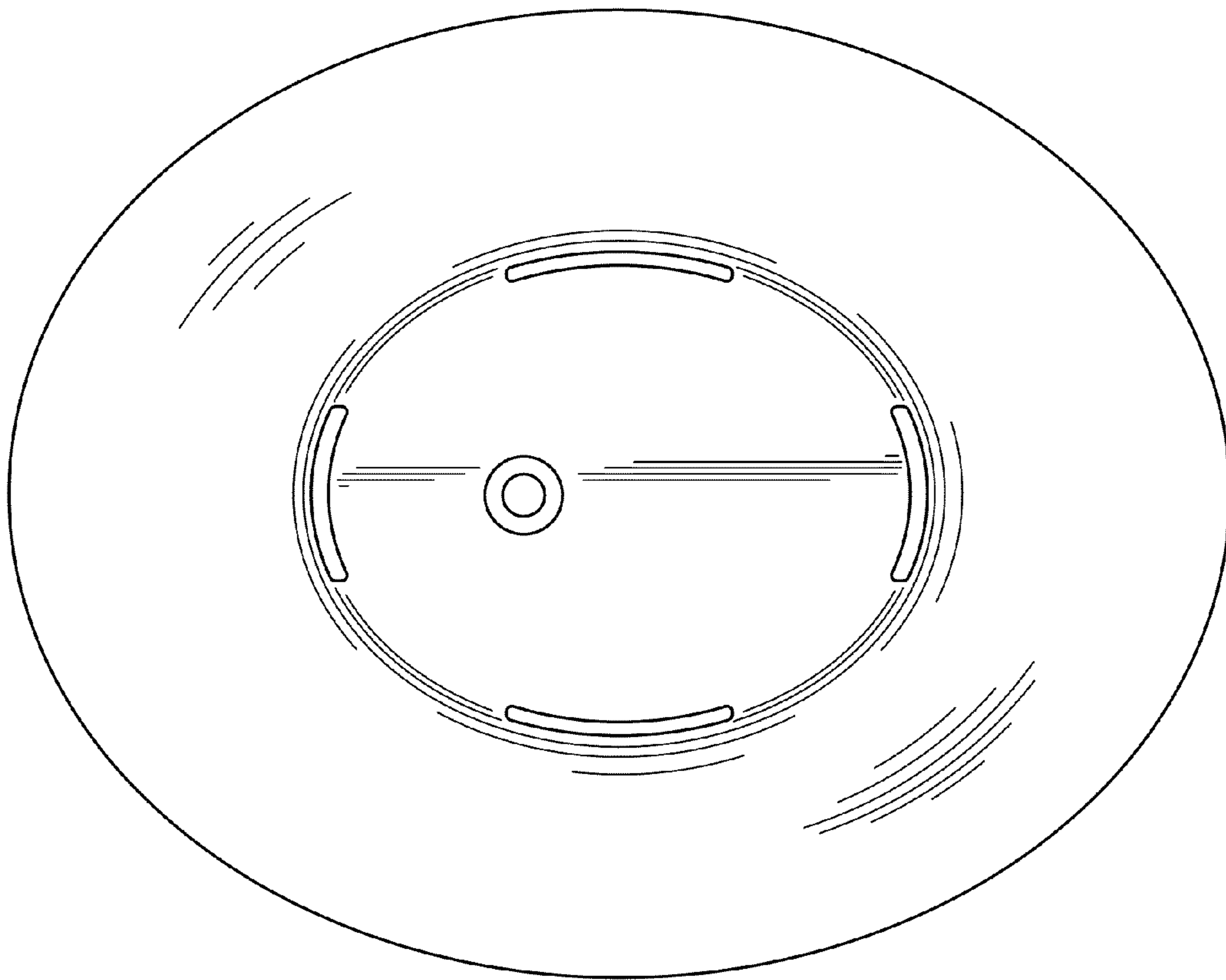


FIG. 4

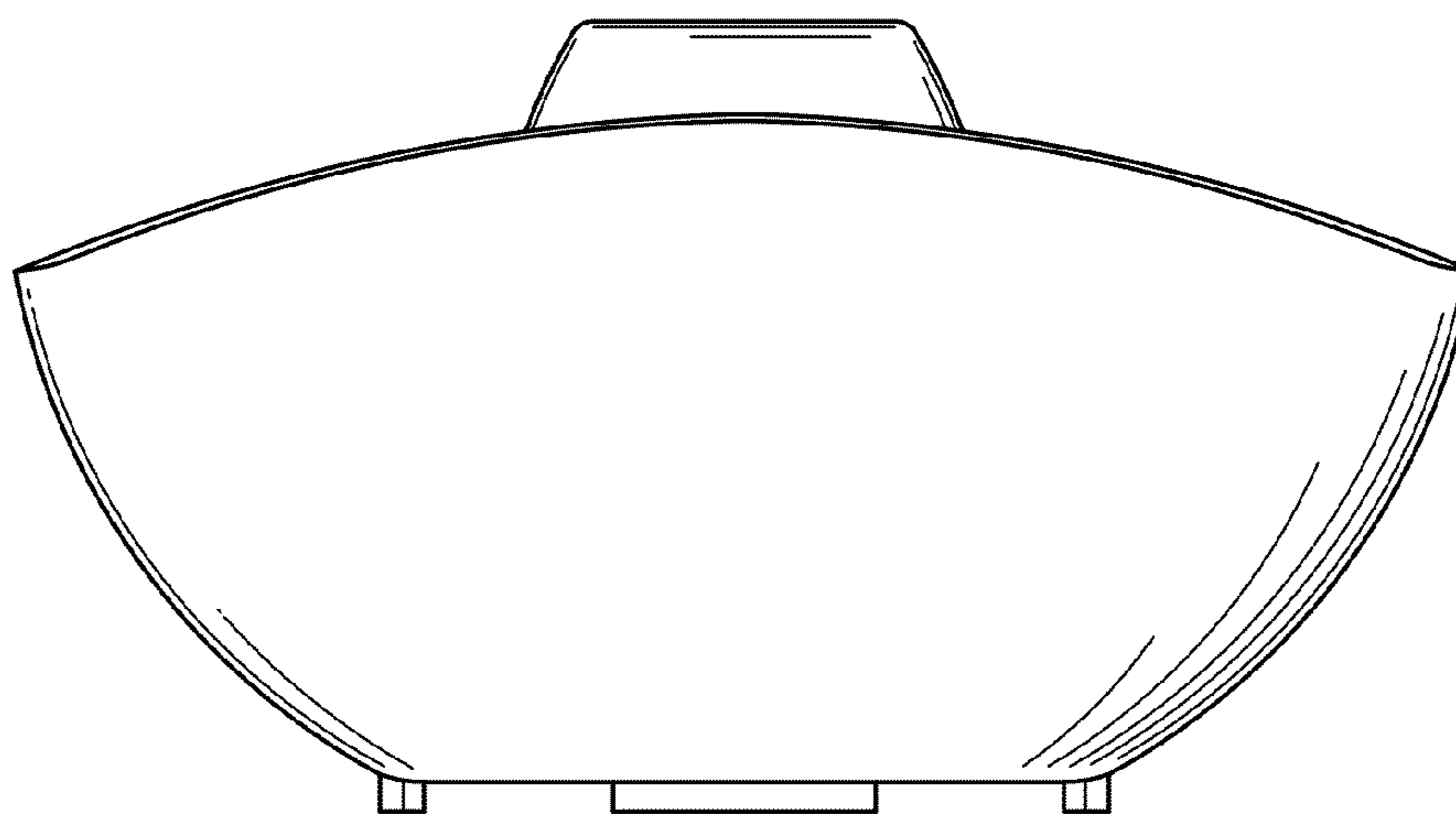


FIG. 5

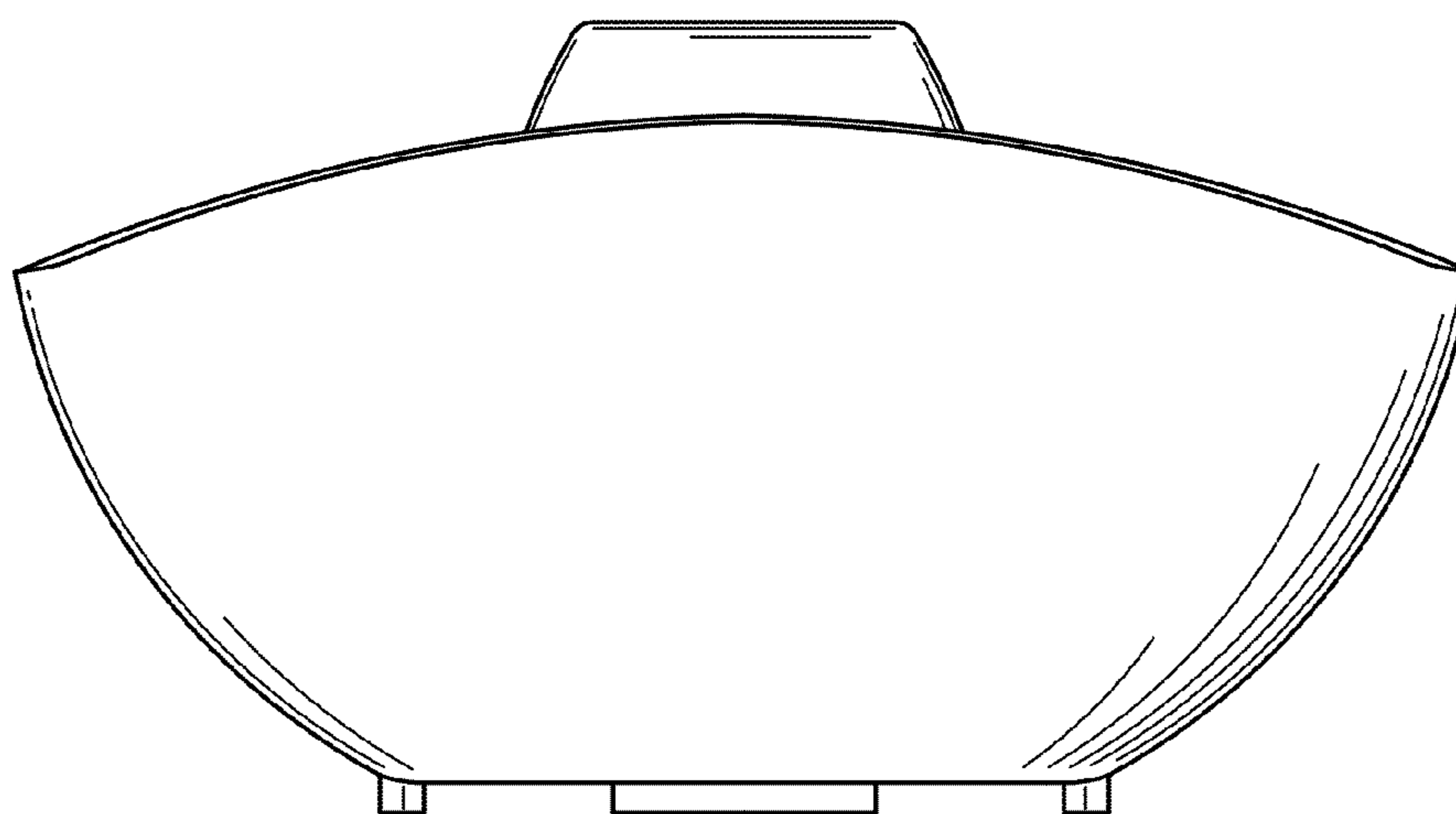


FIG. 6

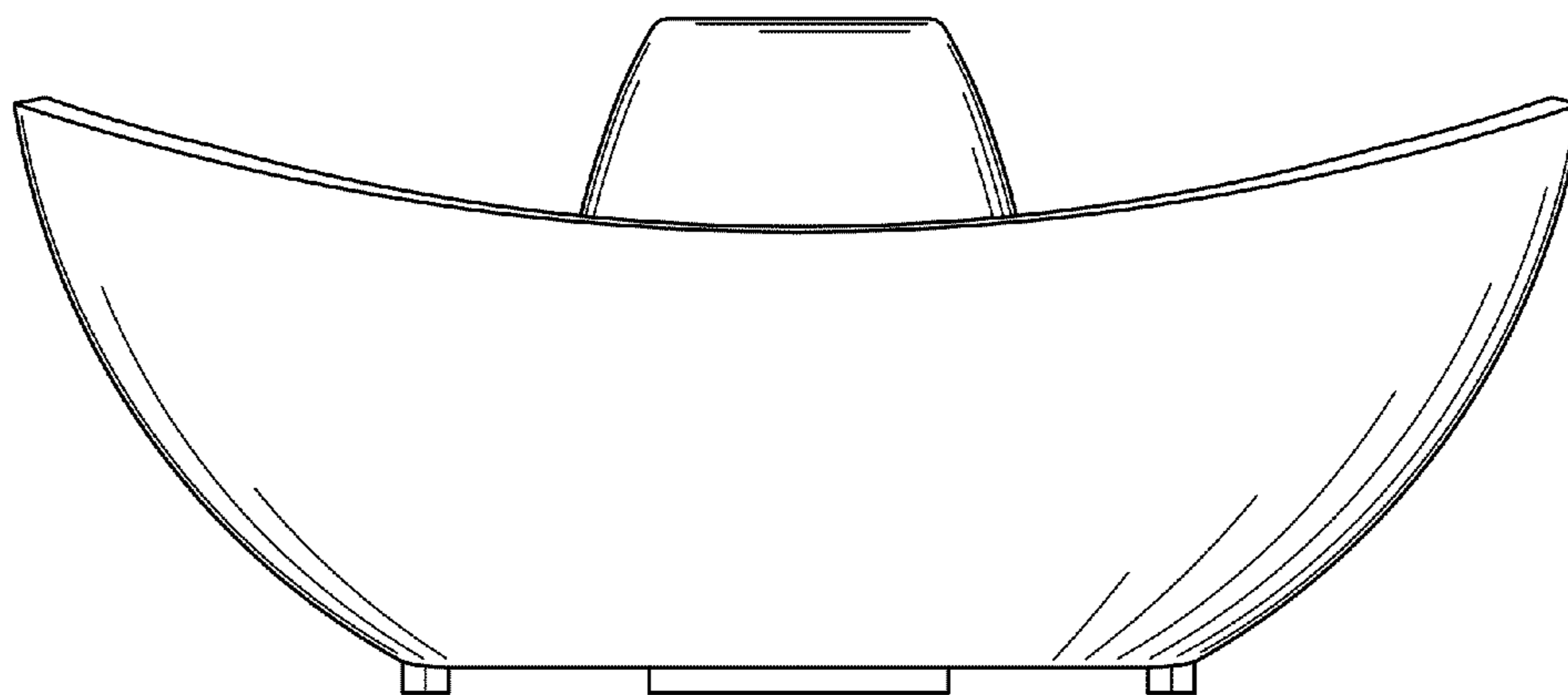


FIG. 7

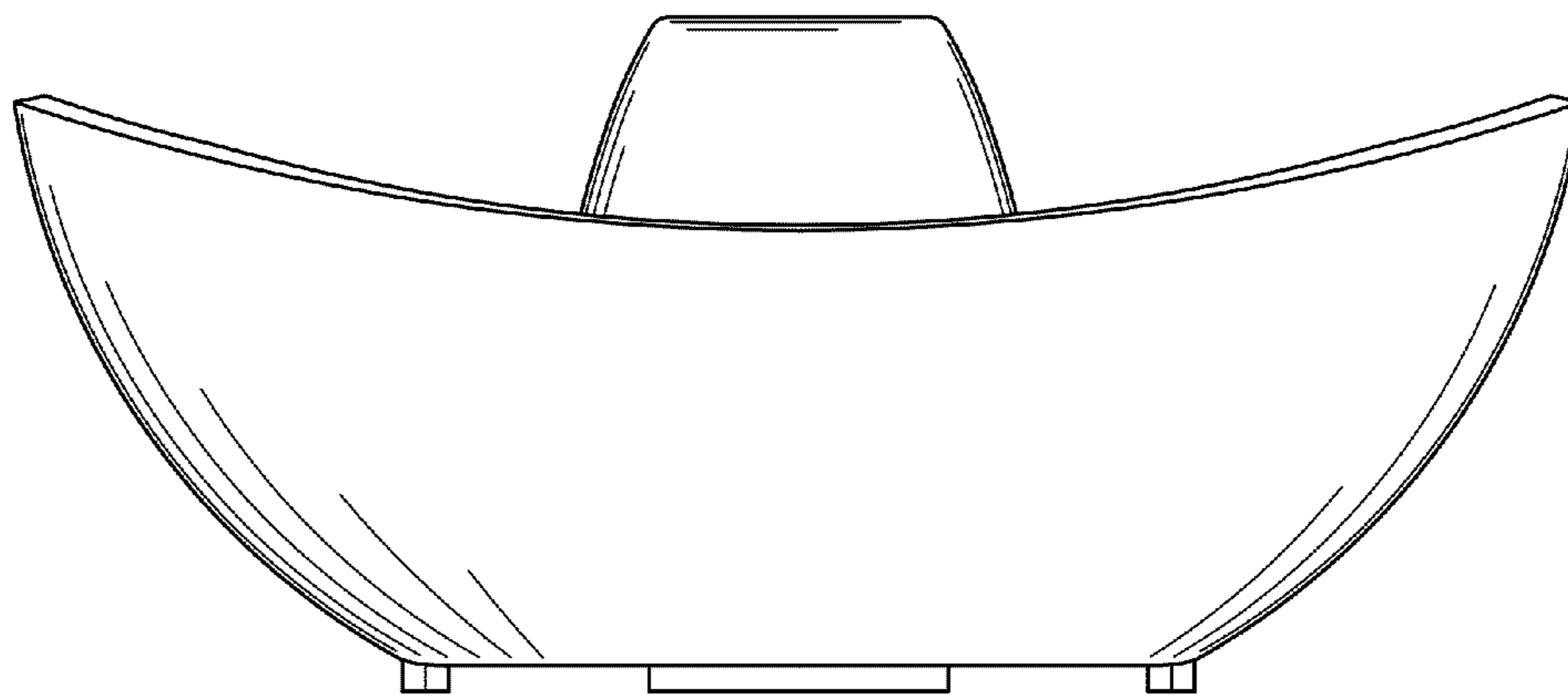


FIG. 8

