

US00D738578S

(12) **United States Design Patent**  
**Allen et al.**

(10) **Patent No.:** **US D738,578 S**  
(45) **Date of Patent:** **\*\* Sep. 8, 2015**

(54) **FISH TANK SUPPORT**

(71) Applicant: **Elive LLC**, New Berlin, WI (US)  
(72) Inventors: **Matthew Allen**, Waterford, WI (US);  
**Thomas Lutz**, Cedar Rapids, IA (US)

(73) Assignee: **ELIVE LLC**, New Berlin, WI (US)

(\*\*) Term: **14 Years**

(21) Appl. No.: **29/469,747**

(22) Filed: **Oct. 14, 2013**

(51) **LOC (10) Cl.** ..... **30-02**

(52) **U.S. Cl.**  
USPC ..... **D30/106**

(58) **Field of Classification Search**  
USPC ..... D30/101–107; D11/145; 119/245–247,  
119/253, 269

See application file for complete search history.

(56) **References Cited**

**U.S. PATENT DOCUMENTS**

D90,646 S *	9/1933	Carnes	.....	D30/103
D90,647 S *	9/1933	Carnes	.....	D30/103
D136,064 S *	7/1943	Fordyce	.....	D30/103
D231,008 S *	3/1974	Hullender	.....	D30/104
D291,426 S *	8/1987	Husbands	.....	D11/145
D299,565 S *	1/1989	Lee Hsu	.....	D30/102
6,029,936 A *	2/2000	Senese	.....	D30/101

**OTHER PUBLICATIONS**

“EcoQube—Desktop Ecosystem That Grows Flowers and Herbs”,  
by Aqua Design Innovations, <https://www.kickstarter.com/projects/kevinzl/ecoqube-desktop-ecosystem-that-grow-flowers-and-he>,  
Dec. 30, 2013 (25 pages).

\* cited by examiner

*Primary Examiner* — Wan Laymon

(74) *Attorney, Agent, or Firm* — Michael Best & Friedrich  
LLP

(57) **CLAIM**

I claim the ornamental design for a fish tank support, as shown  
and described.

**DESCRIPTION**

FIG. 1 is a top, front, left side perspective view of an embodi-  
ment of a fish tank support.

FIG. 2 is a left side view of the fish tank support shown in FIG.  
1.

FIG. 3 is a right side view of the fish tank support shown in  
FIG. 1.

FIG. 4 is a front side view of the fish tank support shown in  
FIG. 1.

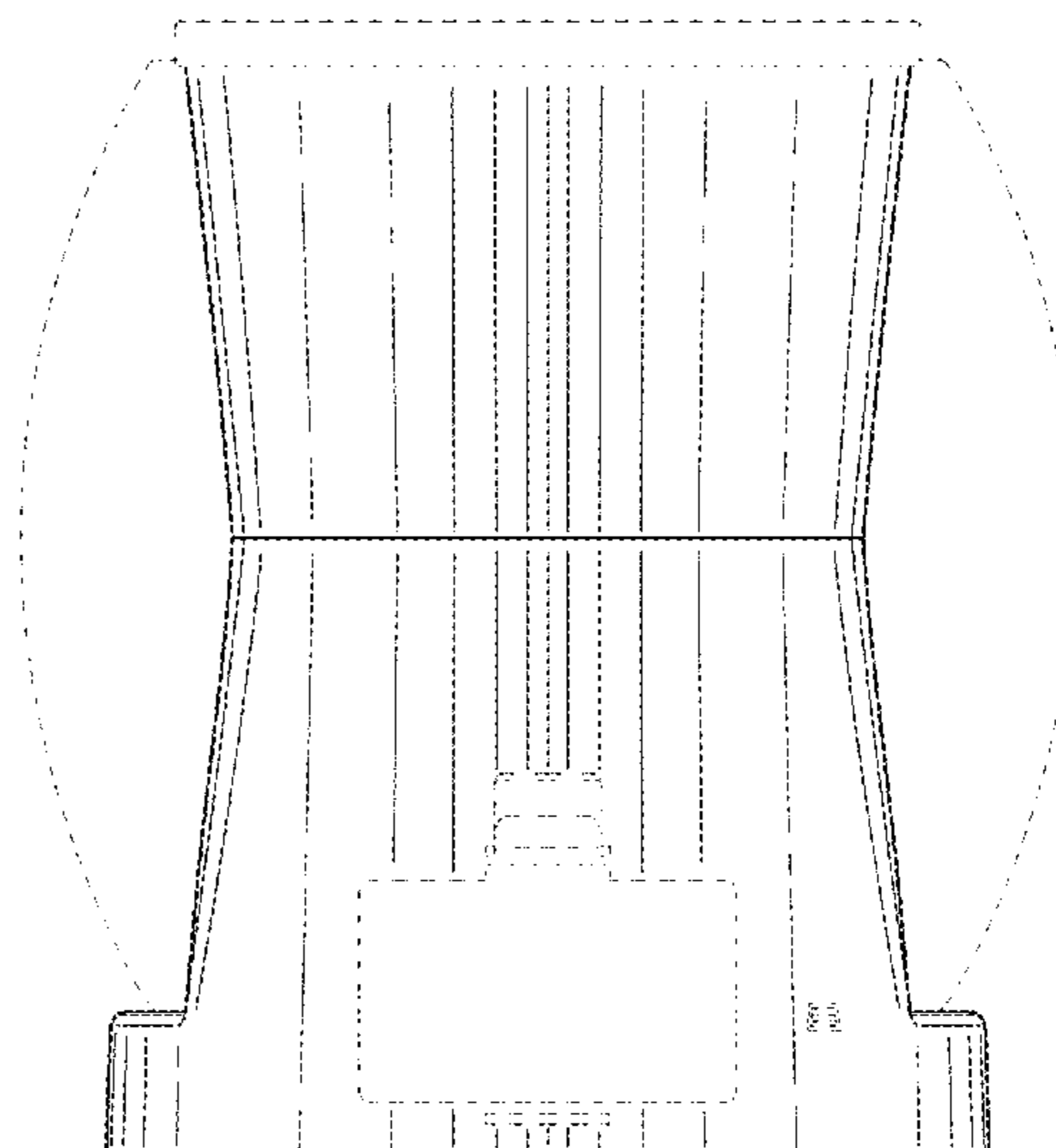
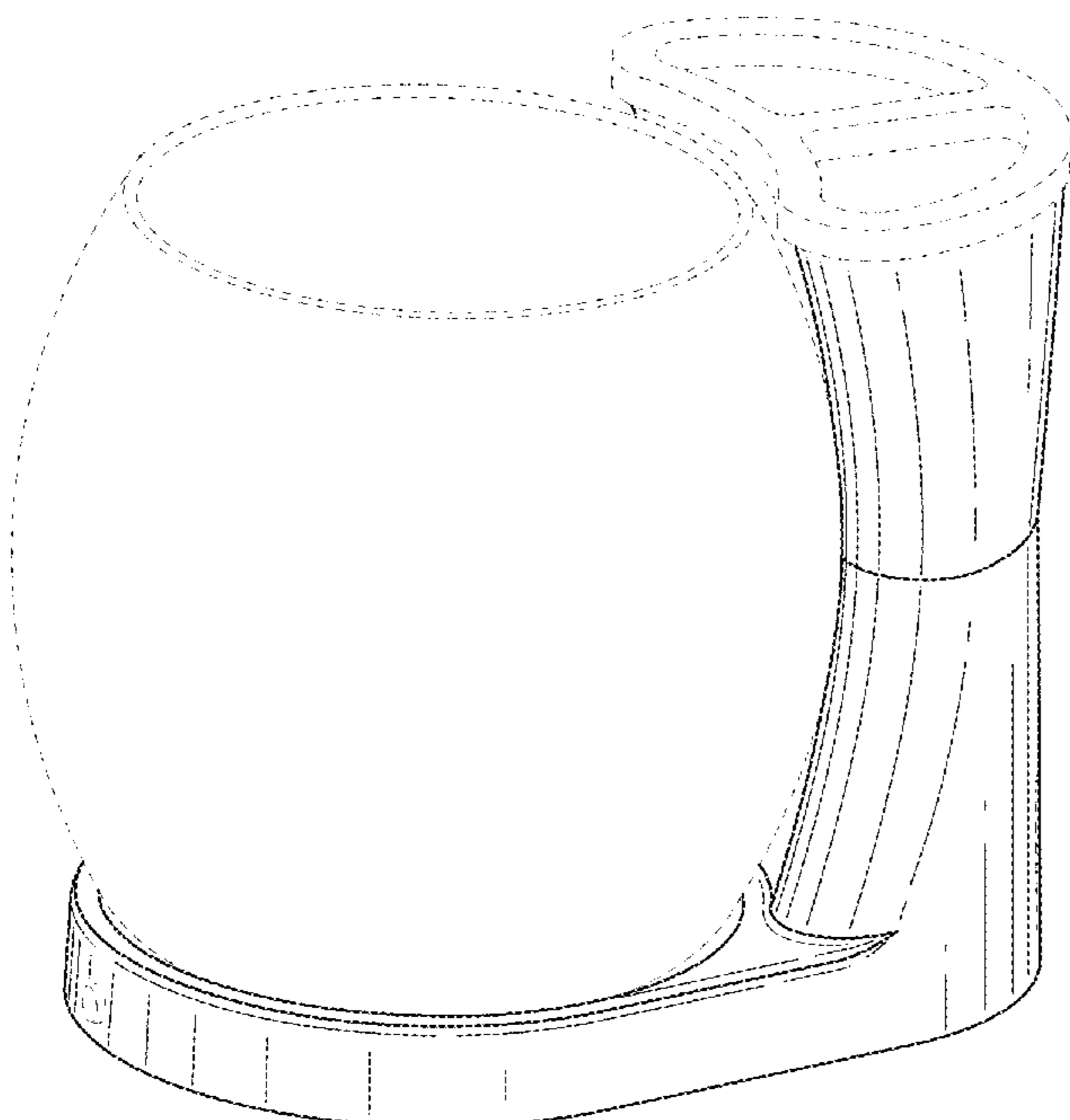
FIG. 5 is a back side view of the fish tank support shown in  
FIG. 1.

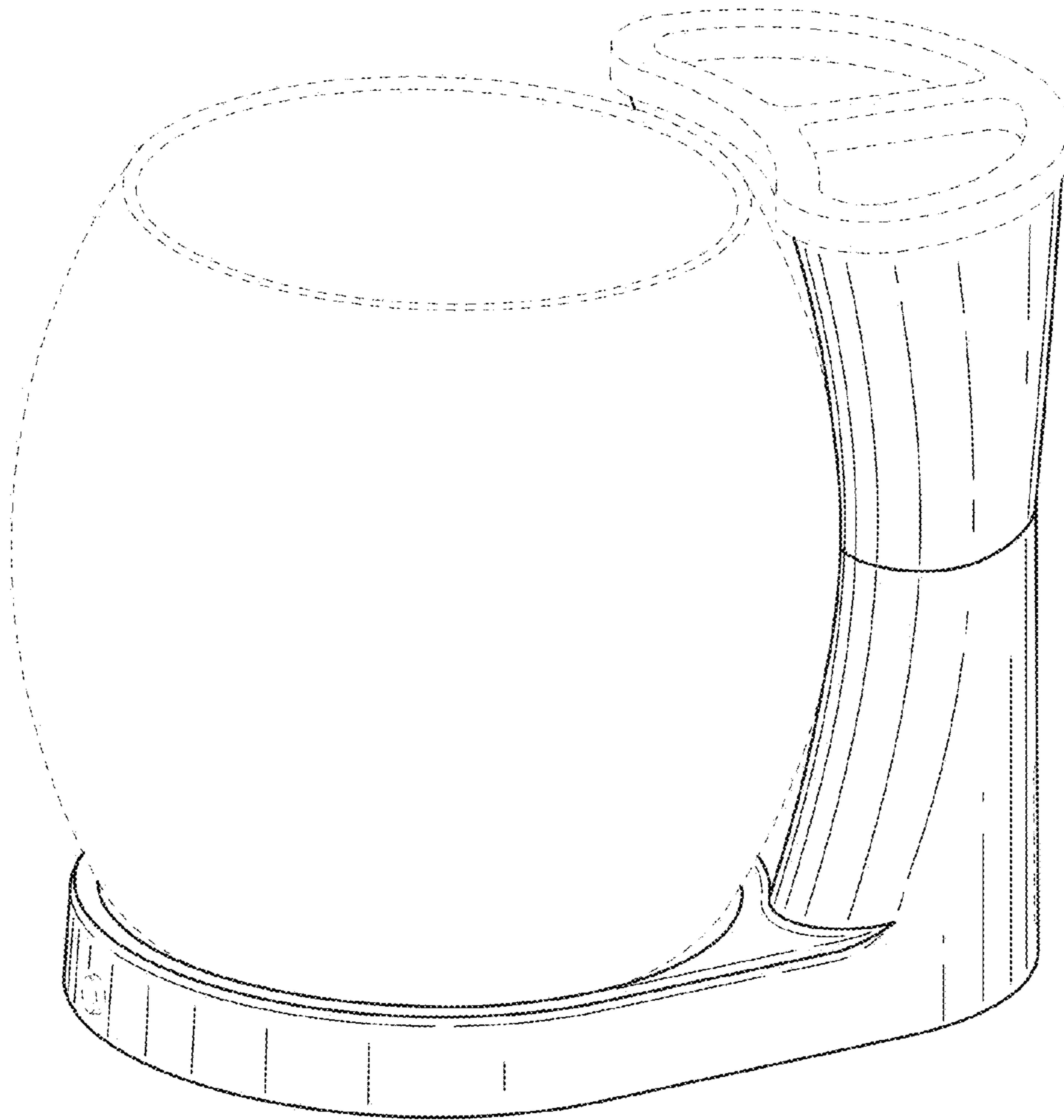
FIG. 6 is a top side view of the fish tank support shown in FIG.  
1; and,

FIG. 7 is a bottom side view of the fish tank support shown in  
FIG. 1.

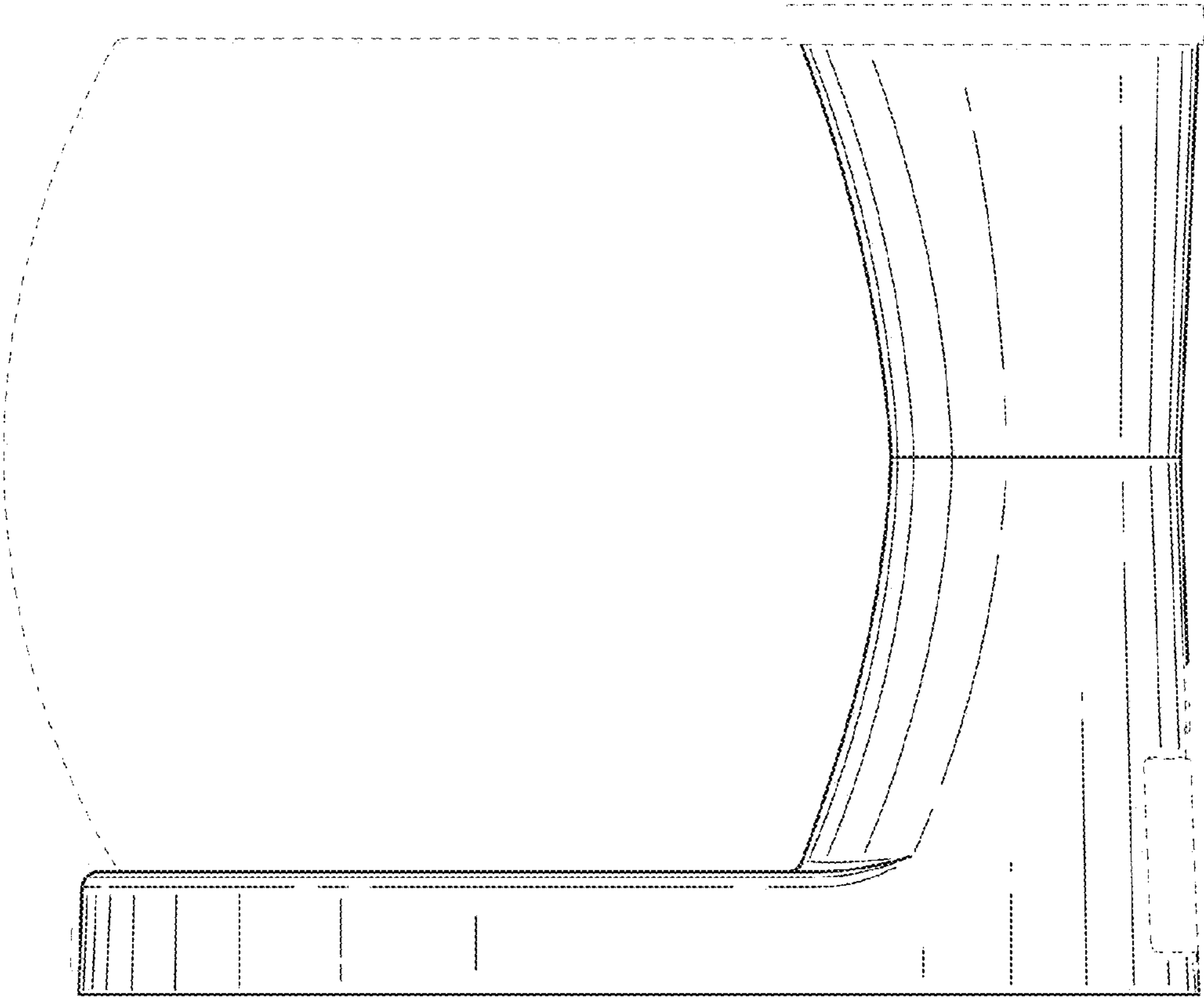
The elements shown in broken lines are included for the  
purpose of illustrating environment and form no part of the  
claimed design.

**1 Claim, 5 Drawing Sheets**

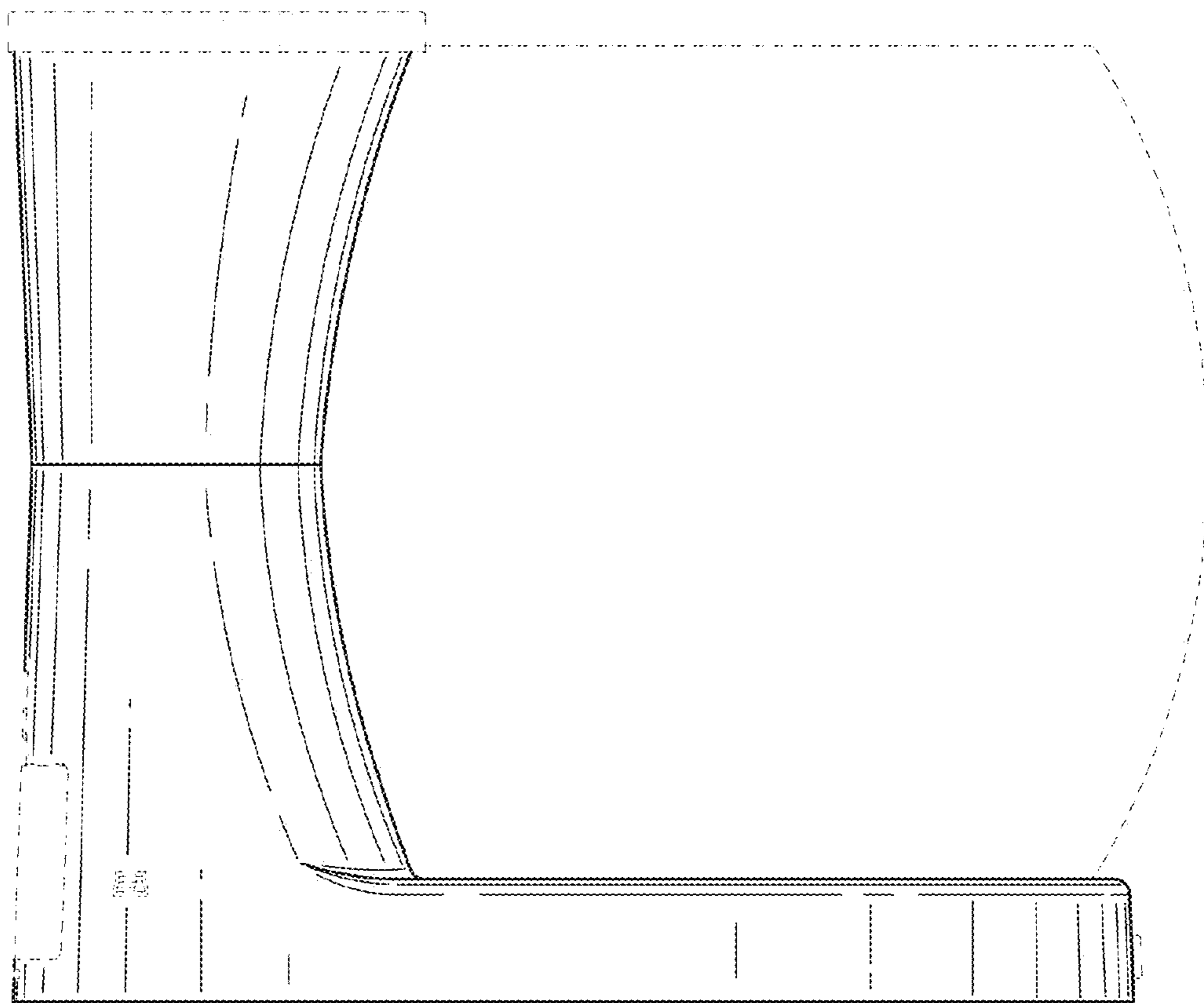




**FIG. 1**



**FIG. 2**



**FIG. 3**

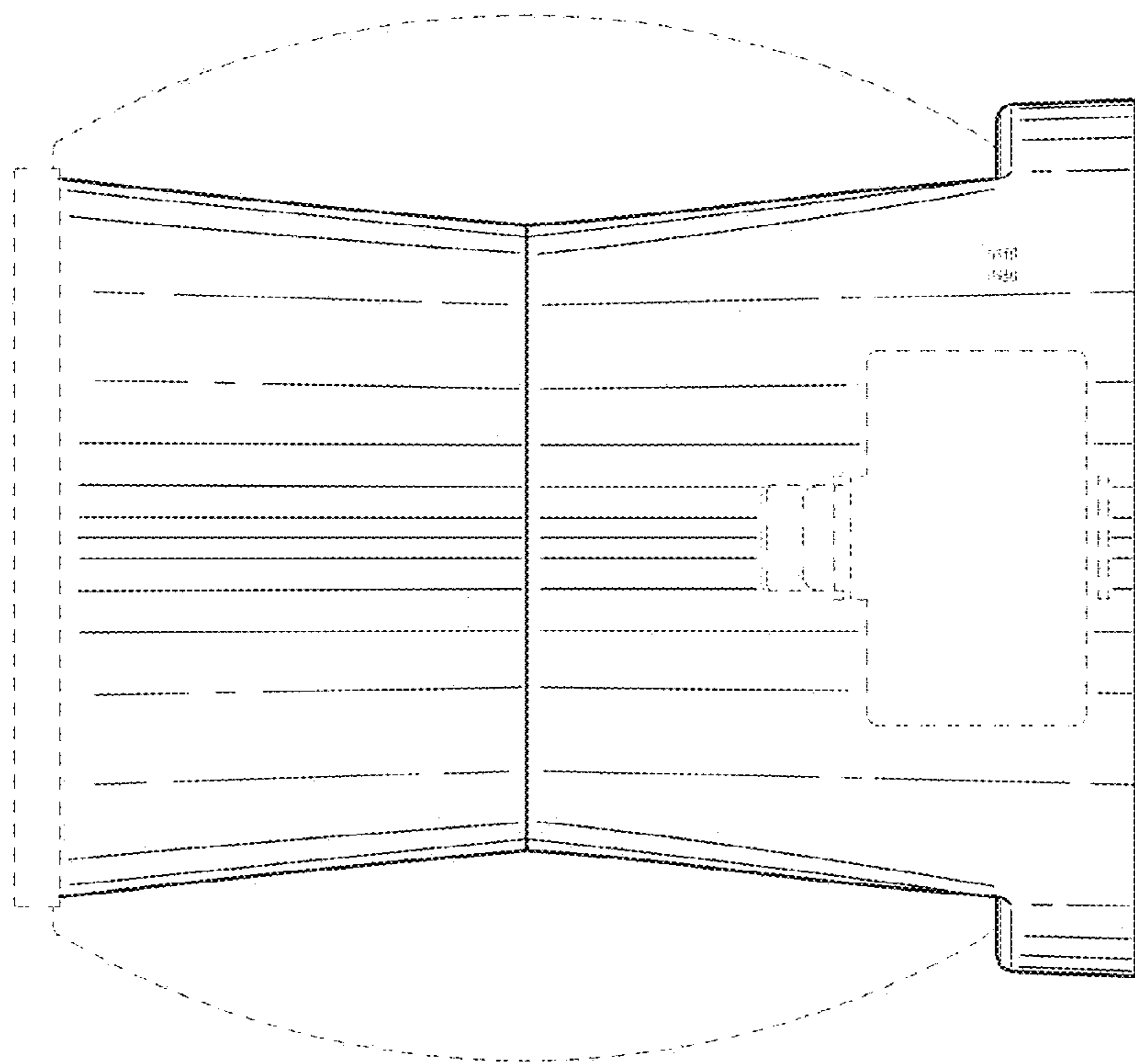


FIG. 5

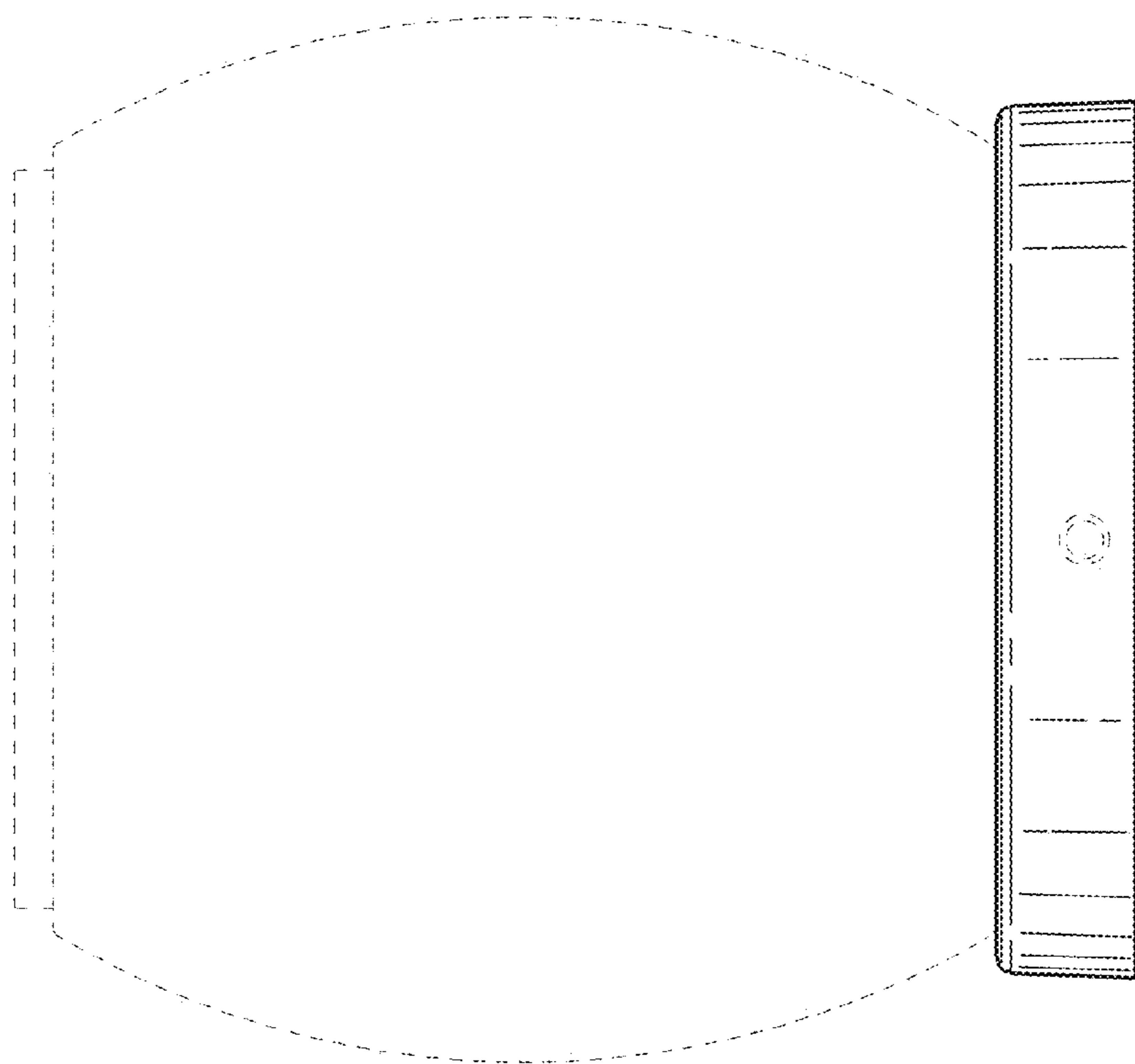


FIG. 4

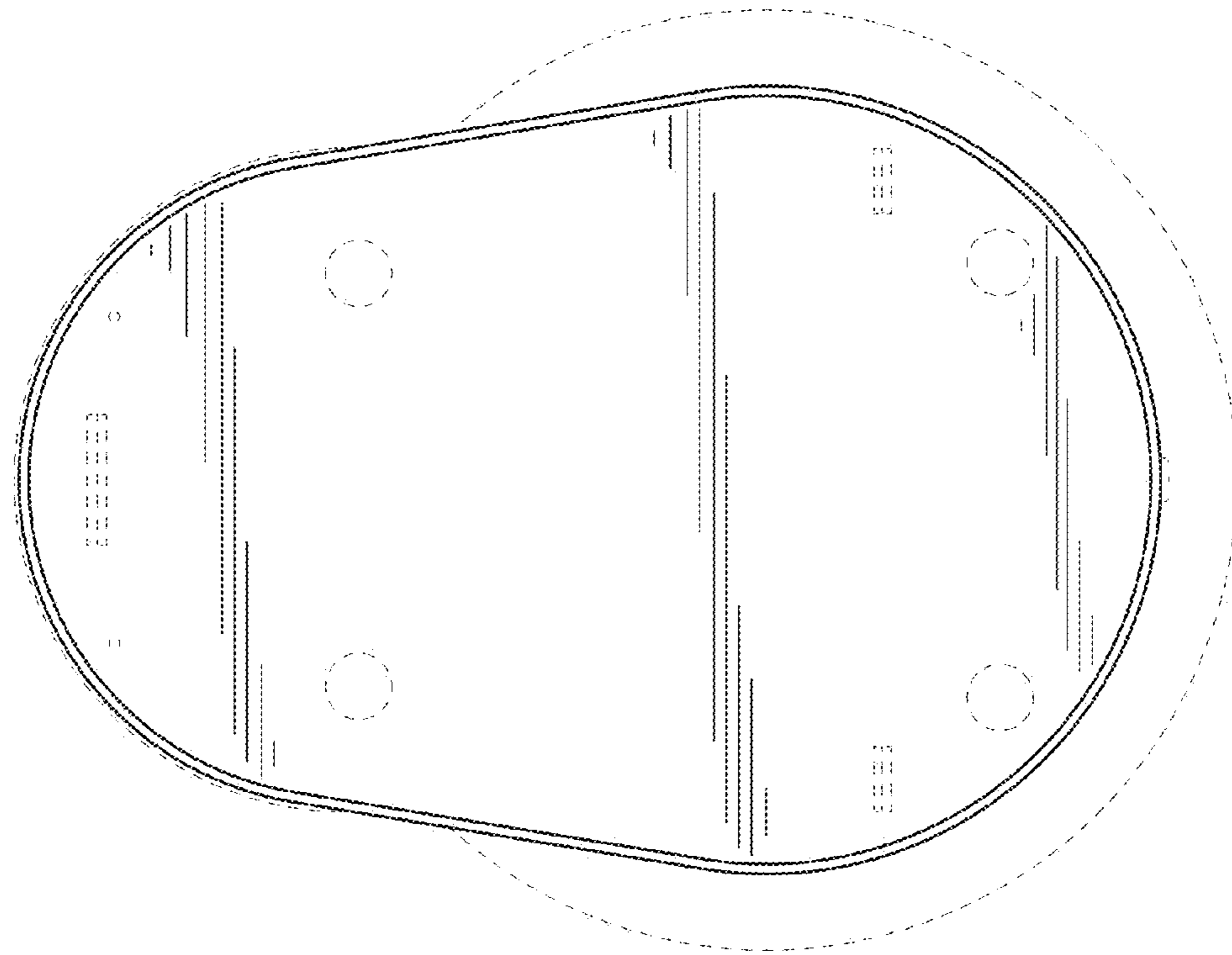


FIG. 7

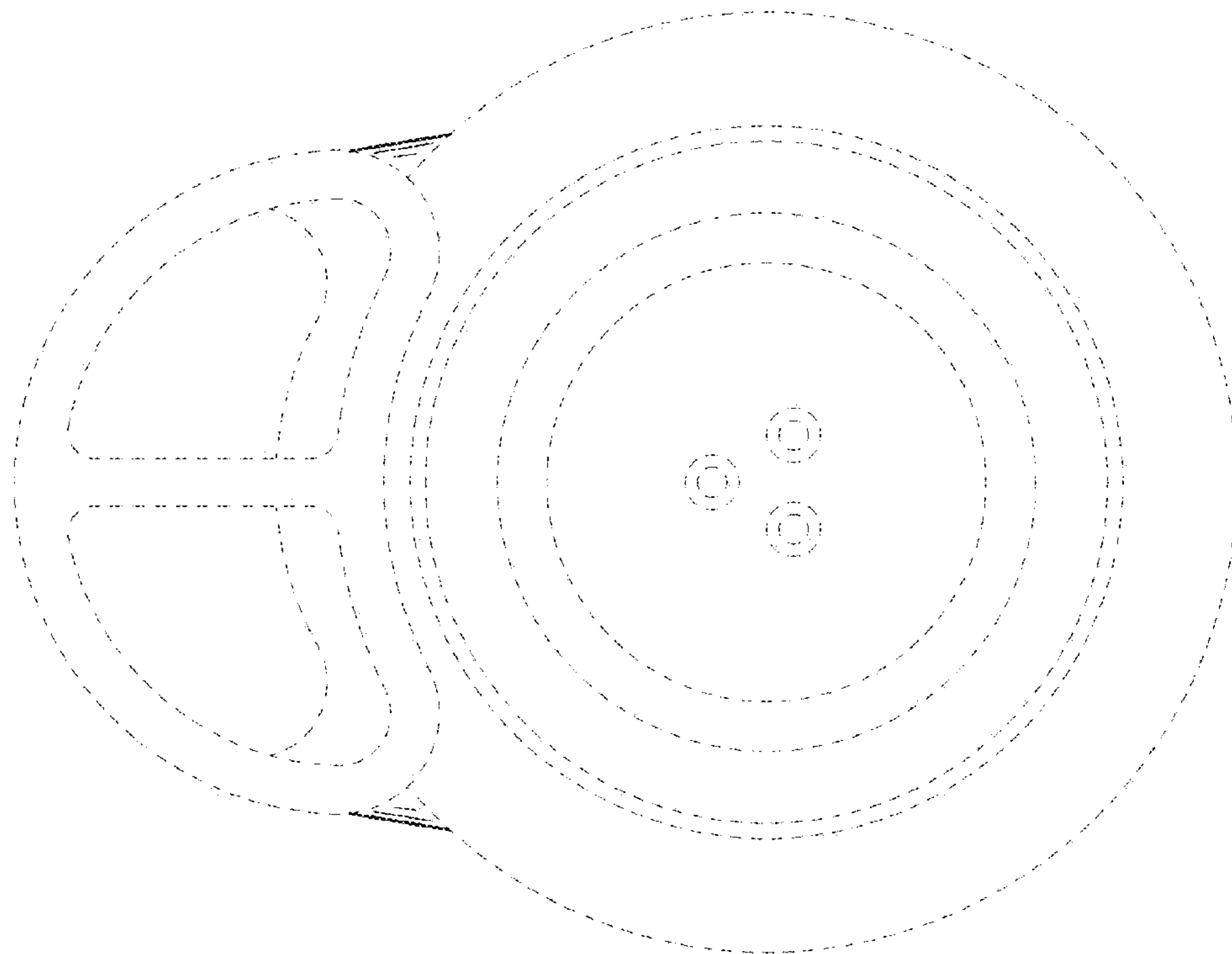


FIG. 6