



US00D738572S

(12) **United States Design Patent**
Kalyanpur et al.

(10) **Patent No.:** **US D738,572 S**
(45) **Date of Patent:** **** Sep. 8, 2015**

- (54) **TWO-COMPARTMENT CONTAINER**
- (71) Applicant: **La Prairie, Inc.**, New York, NY (US)
- (72) Inventors: **Anil Kalyanpur**, Edison, NJ (US);
Richard Suhr, Seaside Heights, NJ (US)
- (73) Assignee: **La Prairie, Inc.**, New York, NY (US)
- (**) Term: **14 Years**

2,571,485 A	10/1951	Reiskin
2,712,318 A	7/1955	Root
3,256,892 A	6/1966	Esposito, Jr.
4,696,317 A	9/1987	Shioi et al.
5,025,817 A	6/1991	Wen
5,107,871 A	4/1992	Butcher et al.
6,283,129 B1	9/2001	Yuhura et al.
6,526,989 B2	3/2003	Sheffler et al.
D479,366 S	9/2003	Goswell
D523,177 S	6/2006	Ashiwa et al.

(Continued)

Primary Examiner — Jennifer Rivard
(74) *Attorney, Agent, or Firm* — Dentons US LLP

- (21) Appl. No.: **29/453,802**
- (22) Filed: **May 2, 2013**
- (51) **LOC (10) Cl.** **28-03**
- (52) **U.S. Cl.**
USPC **D28/82**
- (58) **Field of Classification Search**
USPC D28/64.1–64.7, 76–84; 206/581, 823;
132/286–318; D9/503–505, 421, 428,
D9/447; D3/901; 220/4.27
CPC A45D 33/006; A45D 33/003; A45D
33/04–33/16; A45D 33/025; A45D 33/02;
A45D 33/20; A45D 33/22; A45D 33/24;
A45D 33/26; A45D 33/28; A45D 33/18;
A45D 40/22; A45D 40/222; A45D 40/24;
A45D 42/02
See application file for complete search history.

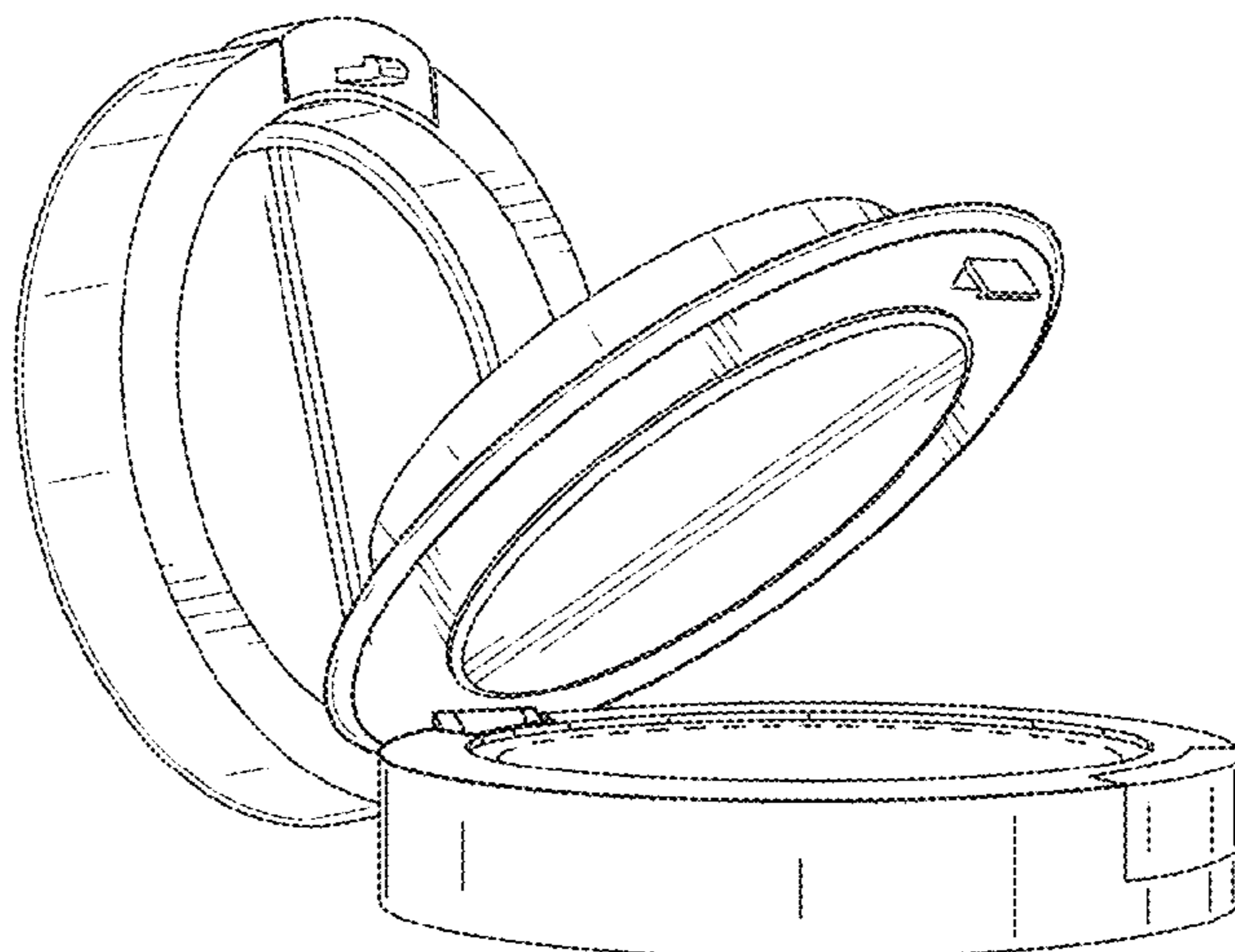
(57) **CLAIM**
The ornamental design for the two-compartment container, as shown and described.

DESCRIPTION

FIG. 1 is a top plan view of the two-compartment container with the top compartment in an open position showing the interior of the top compartment;
 FIG. 2 is a top plan view of the two-compartment container with the top compartment and the bottom compartment in open positions showing the interiors of the compartments;
 FIG. 3 is a front view of the two-compartment container with the top compartment in an open position;
 FIG. 4 is a front view of the two-compartment container with the top compartment and the bottom compartment in open positions;
 FIG. 5 is a front view of the two-compartment container with the bottom compartment in an open position;
 FIG. 6 is a side view of the two-compartment container with the top compartment and the bottom compartment in open positions; and,
 FIG. 7 is a side perspective view of the two-compartment container with the top compartment and the bottom compartment in open positions.
 The broken lines illustrate portions of the two-compartment container and form no part of the claimed design.

1 Claim, 5 Drawing Sheets

- (56) **References Cited**
U.S. PATENT DOCUMENTS
- | | | | |
|---------------|---------|---------------|---------|
| 1,381,036 A | 6/1921 | Vericel | |
| 1,455,432 A | 5/1923 | Dodson | |
| 1,460,906 A | 7/1923 | Hyde | |
| 1,497,905 A * | 6/1924 | Hathaway | 132/295 |
| 1,518,594 A | 12/1924 | Marble | |
| 1,525,665 A * | 2/1925 | Slover et al. | 132/287 |
| 1,570,382 A | 1/1926 | Lyhne | |
| 1,583,120 A | 5/1926 | Brenner | |
| 1,636,183 A | 7/1927 | Goertz | |
| 1,647,004 A | 10/1927 | Hyde | |
| 2,196,017 A | 4/1940 | Kane | |
| 2,438,841 A | 3/1948 | Casalino | |



(56)

References Cited

U.S. PATENT DOCUMENTS

RE39,311 E *	10/2006	Davis et al.	132/295	2006/0005853 A1	1/2006	Shen	
D581,597 S *	11/2008	Martinez	D28/82	2006/0226164 A1	10/2006	Graham	
D583,100 S	12/2008	Jackel		2009/0308408 A1*	12/2009	Winckels et al.	132/295
7,481,229 B2*	1/2009	Habatjou	132/300	2011/0048443 A1*	3/2011	Pires et al.	132/200
D631,608 S *	1/2011	Pires et al.	D28/82	2012/0241468 A1	9/2012	Deans	
8,109,280 B2	2/2012	Winckels et al.		2012/0305442 A1*	12/2012	Apodaca et al.	206/581
2002/0096448 A1*	7/2002	Lee	206/459.1	2013/0014778 A1*	1/2013	Zhang	132/316
				2014/0014131 A1*	1/2014	Zhang	132/316
				2014/0026921 A1*	1/2014	Zhang	132/315

* cited by examiner

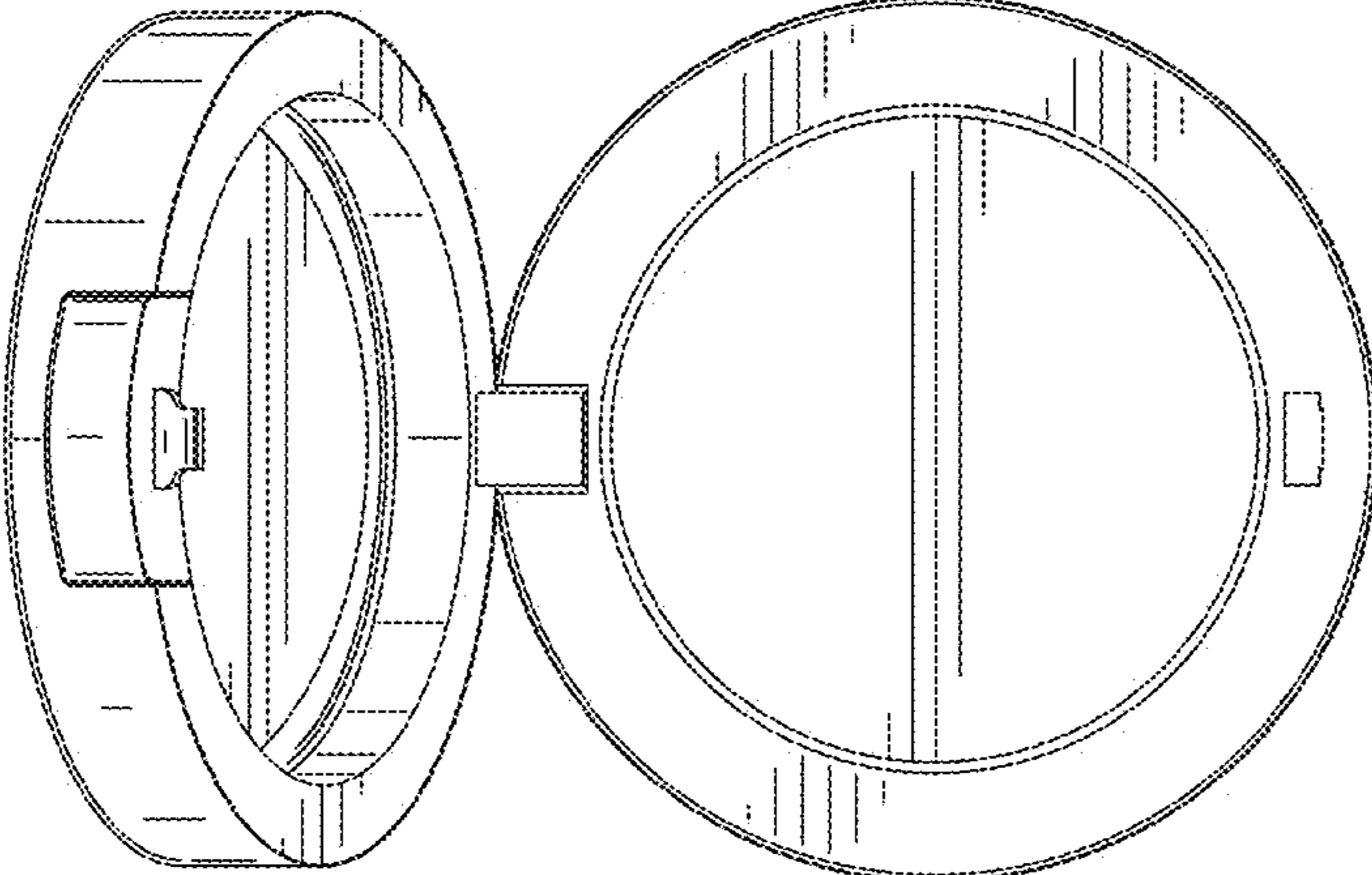


FIG. 1

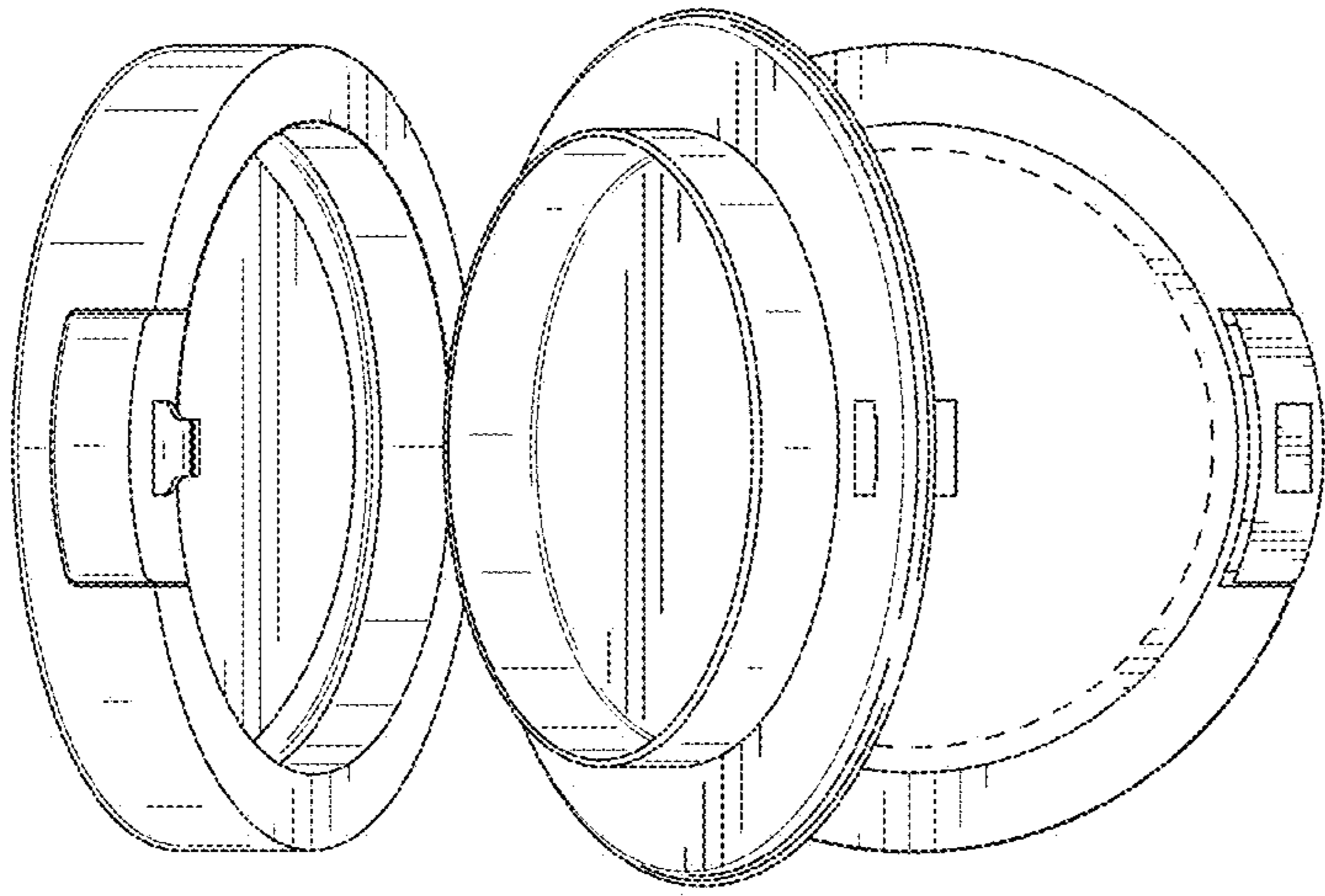


FIG. 2

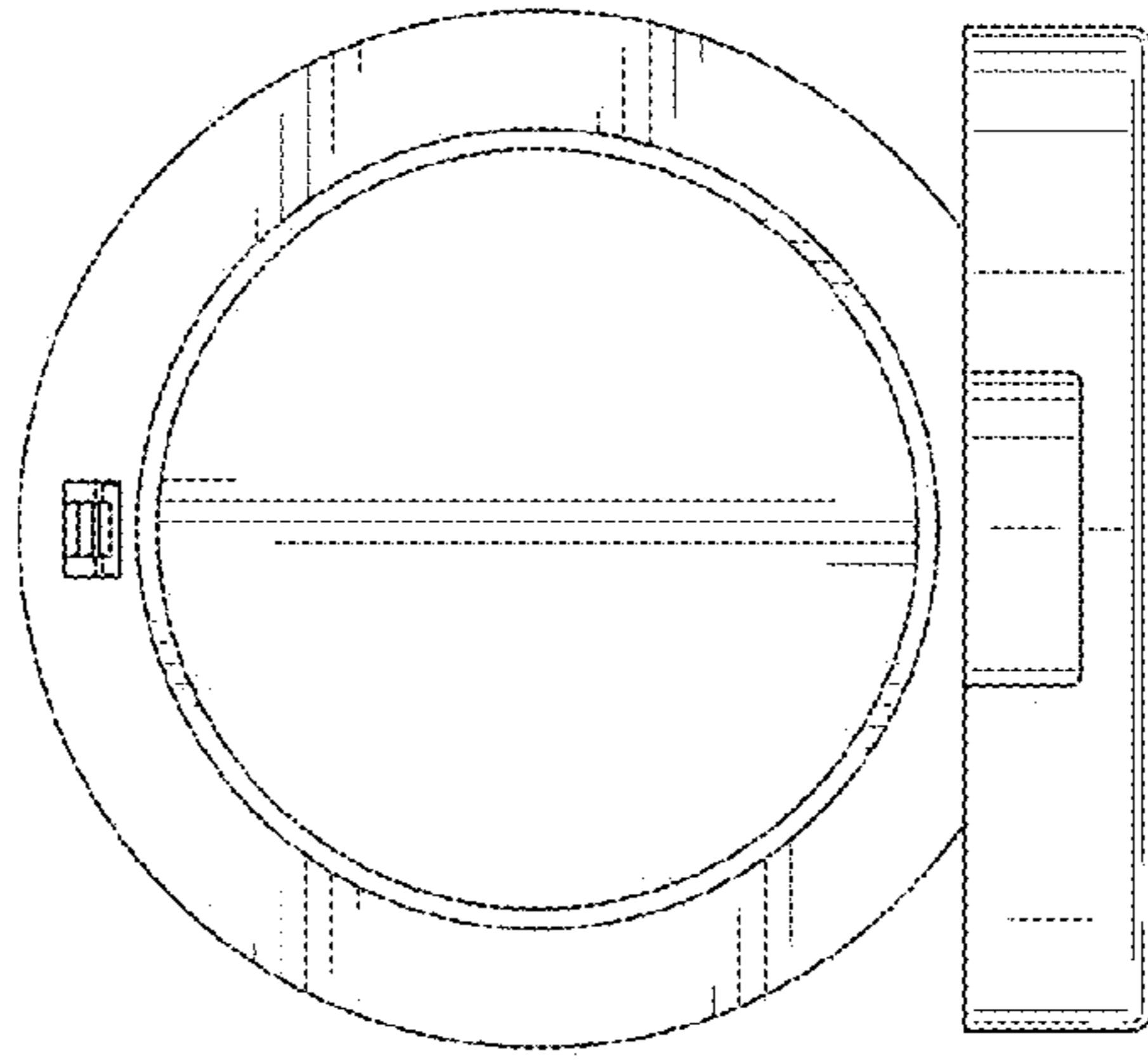


FIG. 3

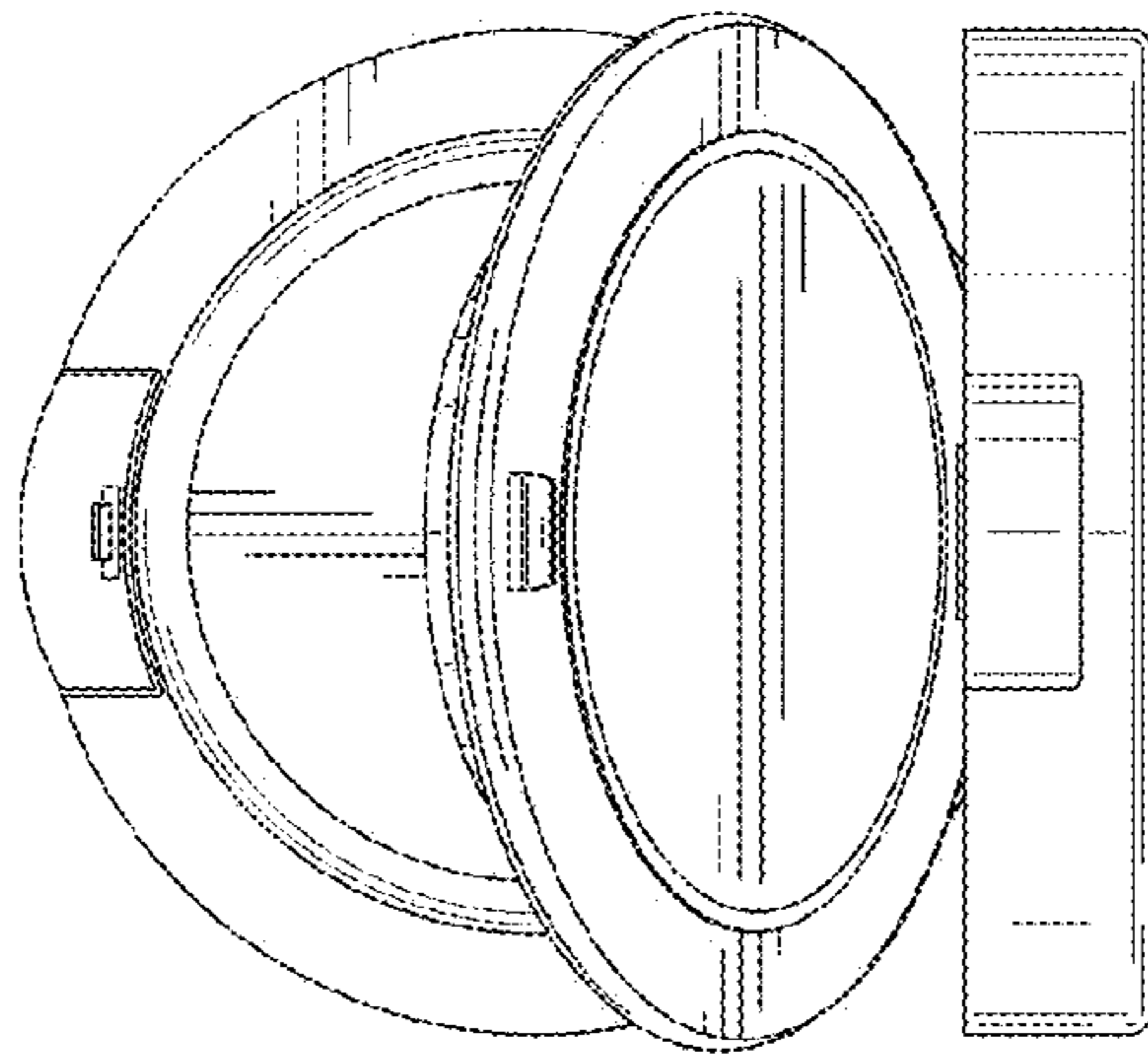


FIG. 4

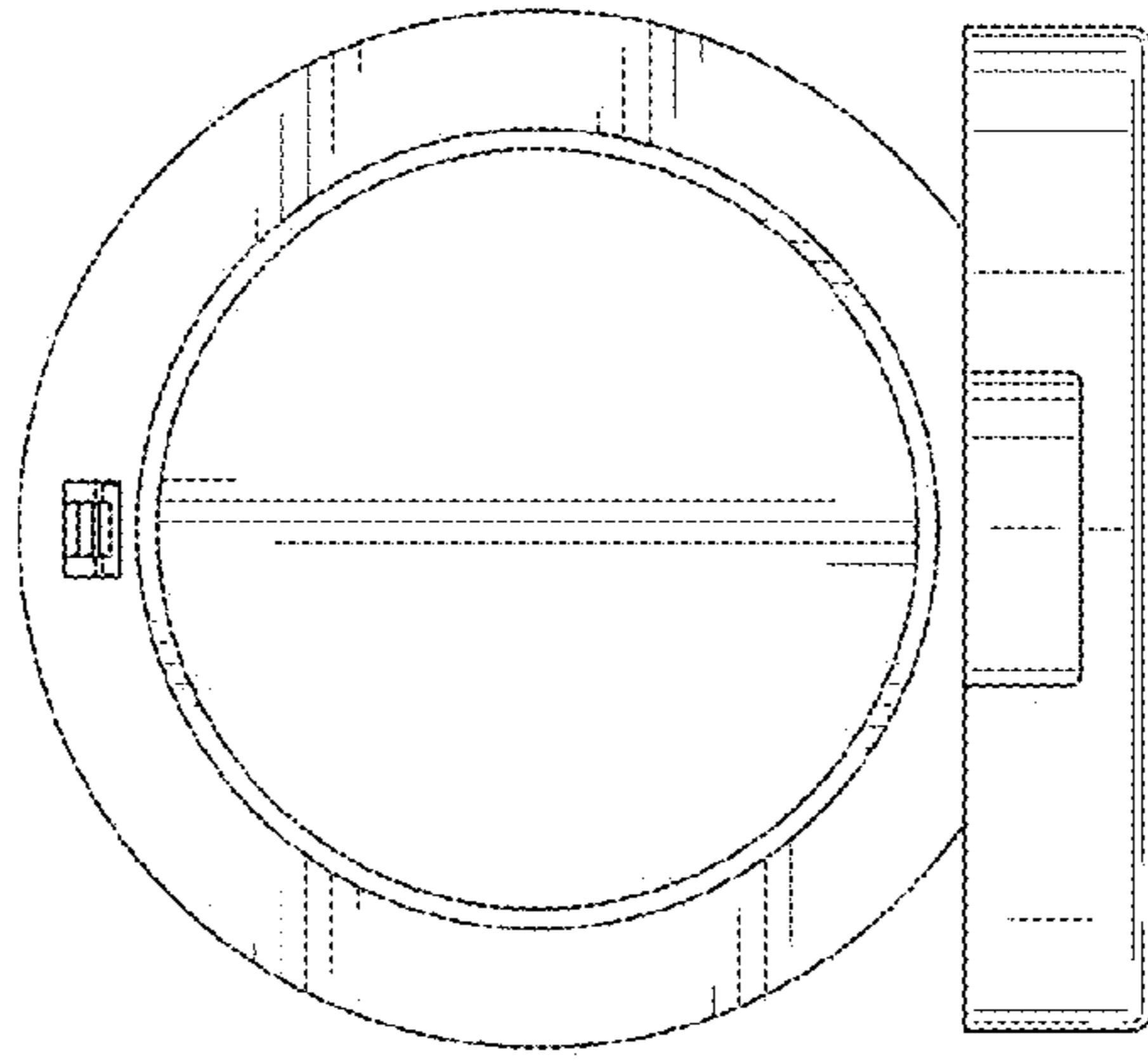


FIG. 5

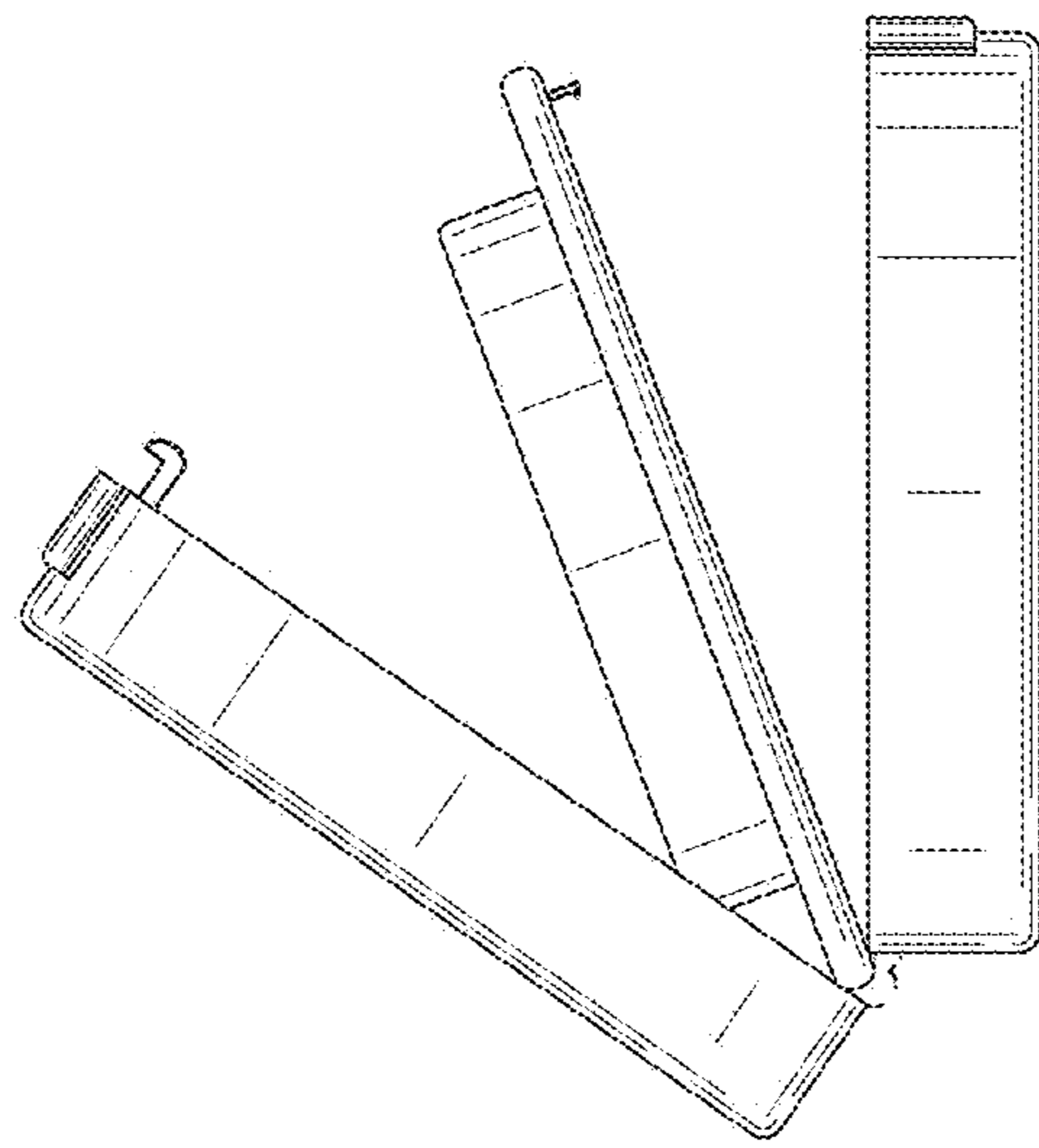


FIG. 6

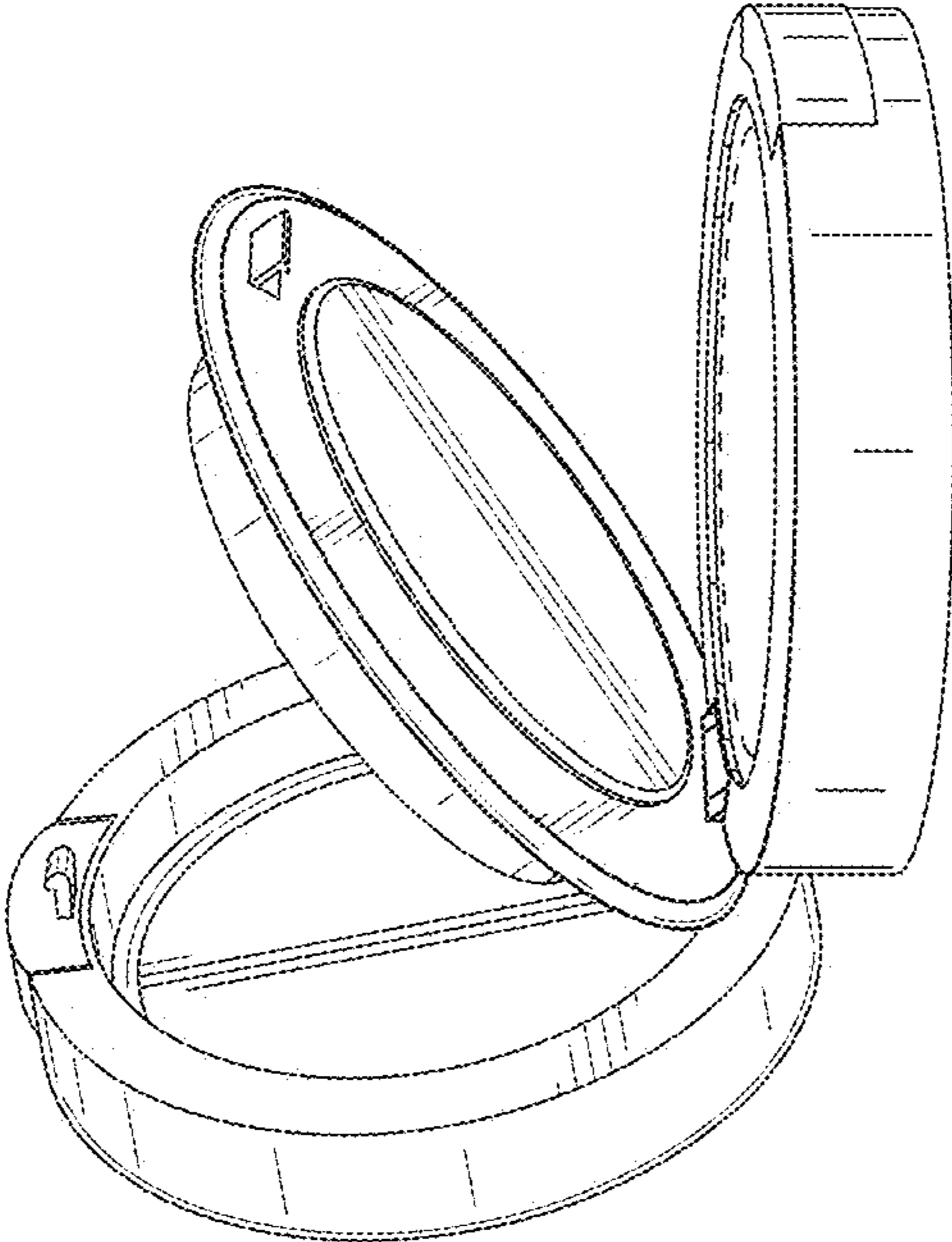


FIG. 7