



US00D738570S

(12) **United States Design Patent**
VanNostran et al.

(10) **Patent No.:** **US D738,570 S**
(45) **Date of Patent:** **** Sep. 8, 2015**

(54) **COMBINED CIGARETTE PACK AND LIGHTER HOLDER**

(71) Applicants: **Drew D. VanNostran**, Canton, OH (US);
Donald M. Kopf, Canton, OH (US)

(72) Inventors: **Drew D. VanNostran**, Canton, OH (US);
Donald M. Kopf, Canton, OH (US)

(**) Term: **14 Years**

(21) Appl. No.: **29/483,094**

(22) Filed: **Feb. 25, 2014**

(51) **LOC (10) Cl.** **27-06**

(52) **U.S. Cl.**

USPC **D27/172**; D27/187; D27/144

(58) **Field of Classification Search**

USPC D27/129, 130, 139, 141-143, 153-157,
D27/160, 161, 172, 174, 175, 183, 187;
131/185, 235.1, 238, 243, 248, 249;
431/135, 152, 253, 350; 206/86

CPC A24F 13/26; A24F 13/24; A24F 13/20;
A24F 15/00; A24F 13/18; F23Q 2/00; F23Q
2/06; F23Q 2/34; F23Q 2/36

See application file for complete search history.

(56) **References Cited**

U.S. PATENT DOCUMENTS

D83,333 S * 2/1931 McCorkindale D27/144
D123,625 S * 11/1940 Meyer D27/186
D141,149 S * 5/1945 Nethercutt D27/175
D152,164 S * 12/1948 Larsen D27/175
2,484,327 A * 10/1949 Williams 206/94

D163,865 S * 7/1951 Griffith D27/187
D167,506 S * 8/1952 Eckenboy D27/175
3,915,295 A * 10/1975 Morrison 206/91
4,989,728 A * 2/1991 Neyret et al. 206/91
D363,568 S * 10/1995 Ghrawi D27/187
D370,301 S * 5/1996 Murphy D27/175
5,630,503 A * 5/1997 Rhodes et al. 206/85
D419,259 S * 1/2000 Johnson D27/175
D554,287 S * 10/2007 Sugiharto D27/187
D617,495 S * 6/2010 LoRe D27/172
D618,391 S * 6/2010 Moore et al. D27/172
2006/0266662 A1* 11/2006 Sugiharto 206/86

* cited by examiner

Primary Examiner — Susan Bennett Hattan

Assistant Examiner — Janice Hallmark

(74) *Attorney, Agent, or Firm* — Sand & Sebolt

(57) **CLAIM**

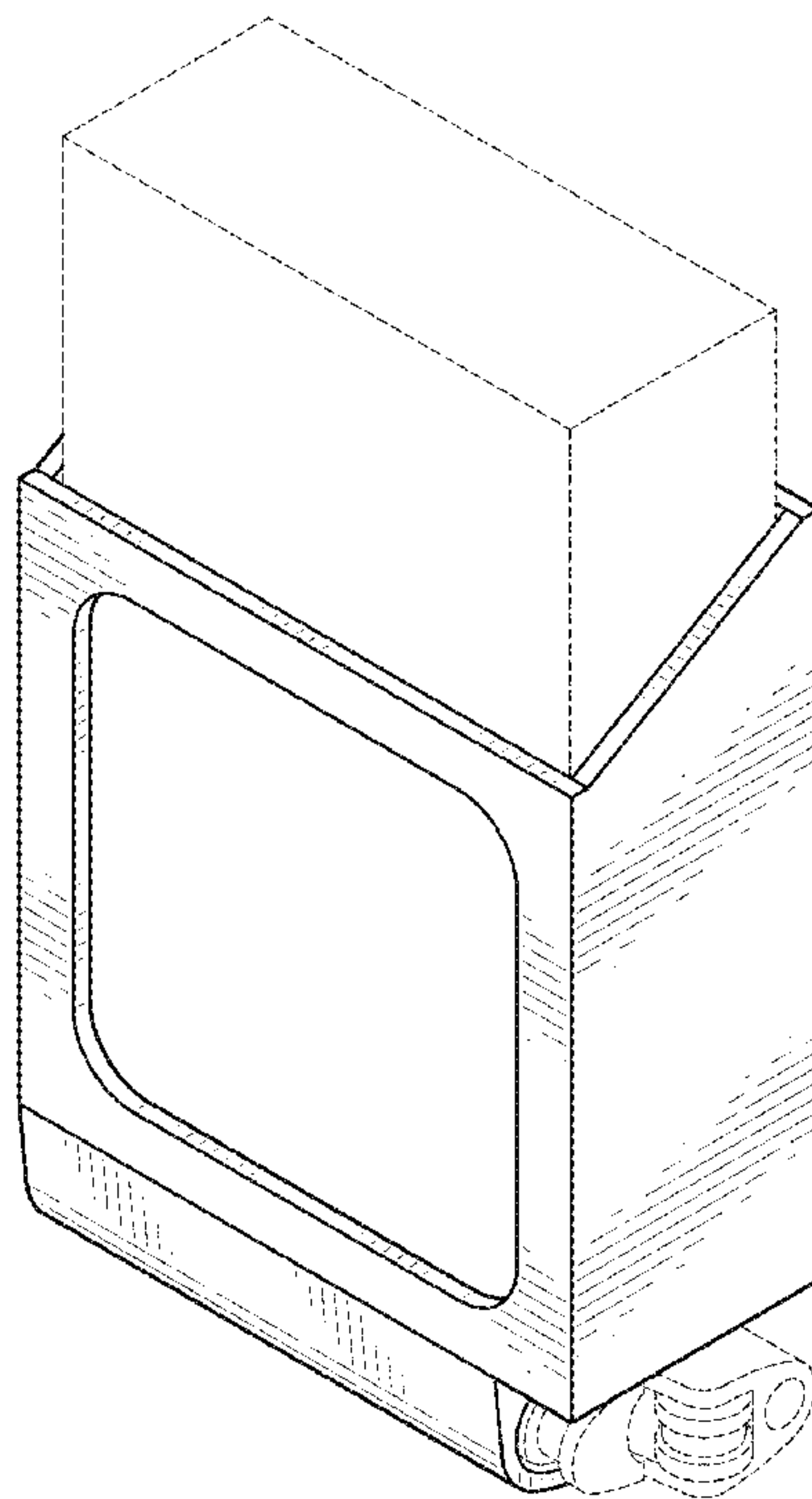
The ornamental design for a combined cigarette pack and lighter holder, as shown and described.

DESCRIPTION

FIG. 1 is a perspective view of the combined cigarette pack and lighter holder of the present invention with a cigarette pack and lighter shown in broken line for clarity; FIG. 2 is a front elevational view thereof; FIG. 3 is a rear elevational view thereof; FIG. 4 is a left side elevational view thereof; FIG. 5 is a right side elevational view thereof; FIG. 6 is a top view thereof; and, FIG. 7 is a bottom view thereof.

The broken lines illustrate portions of the cigarette pack and lighter which form no part of the claimed design.

1 Claim, 3 Drawing Sheets



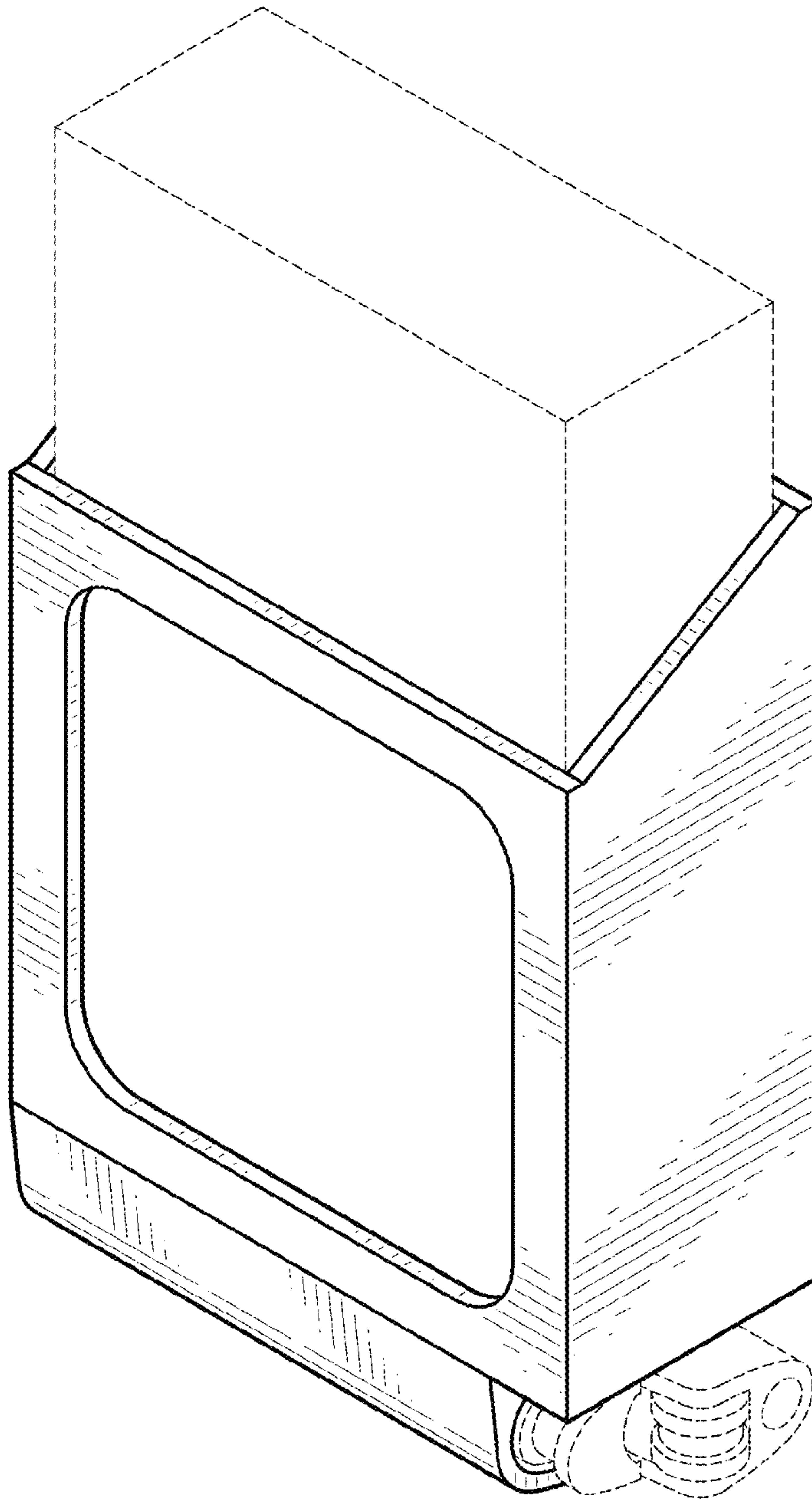


FIG-1

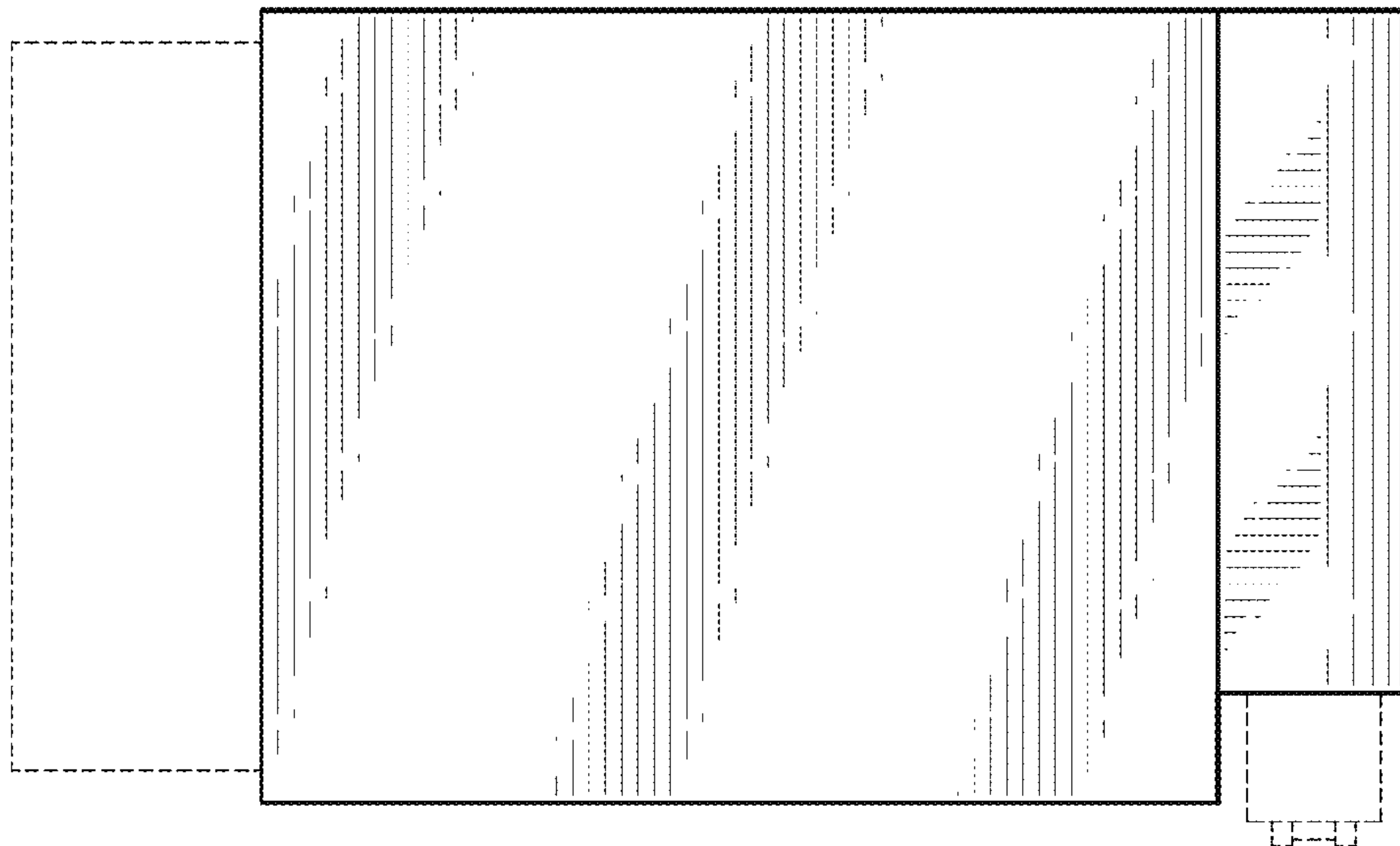


FIG-3

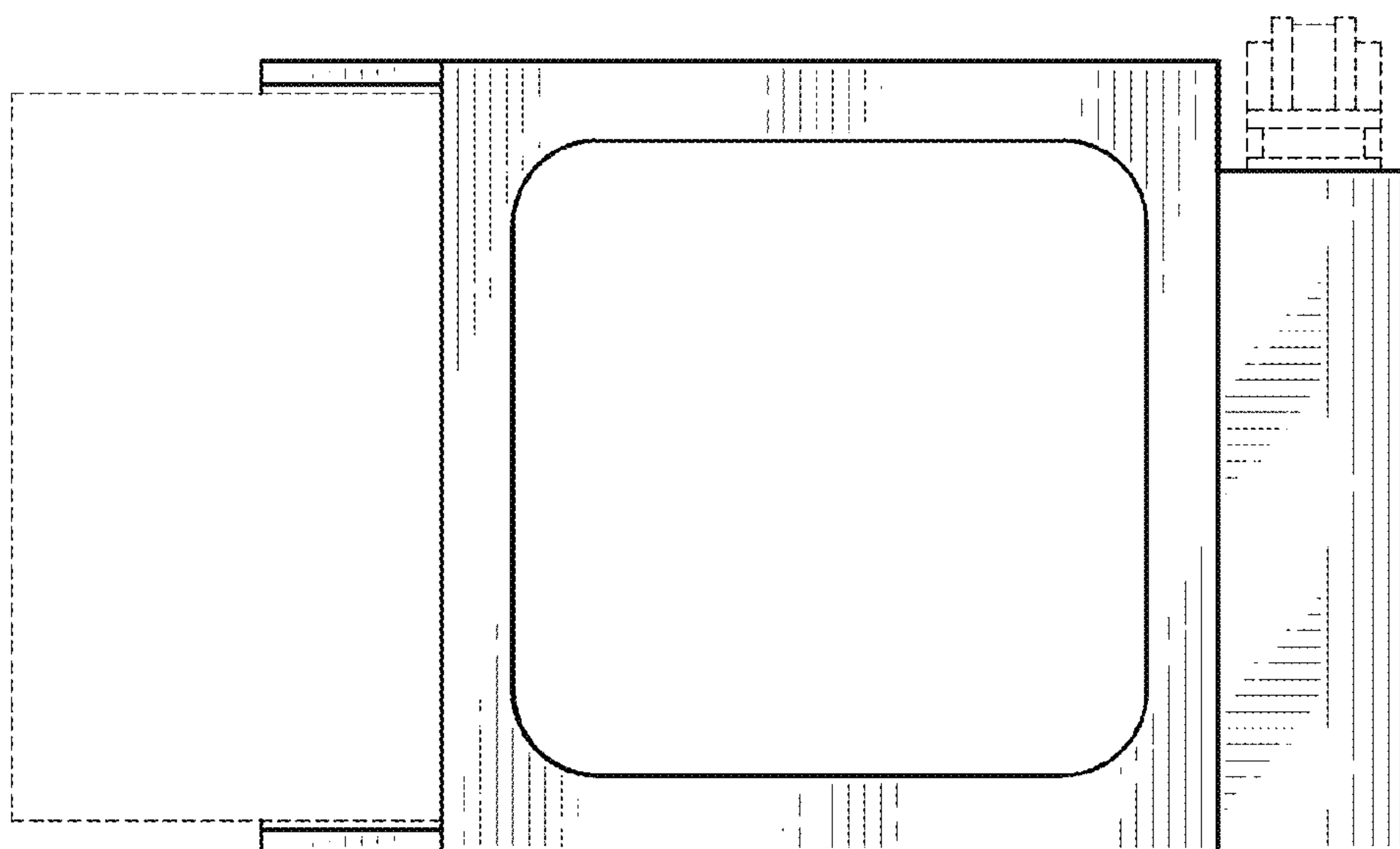


FIG-2

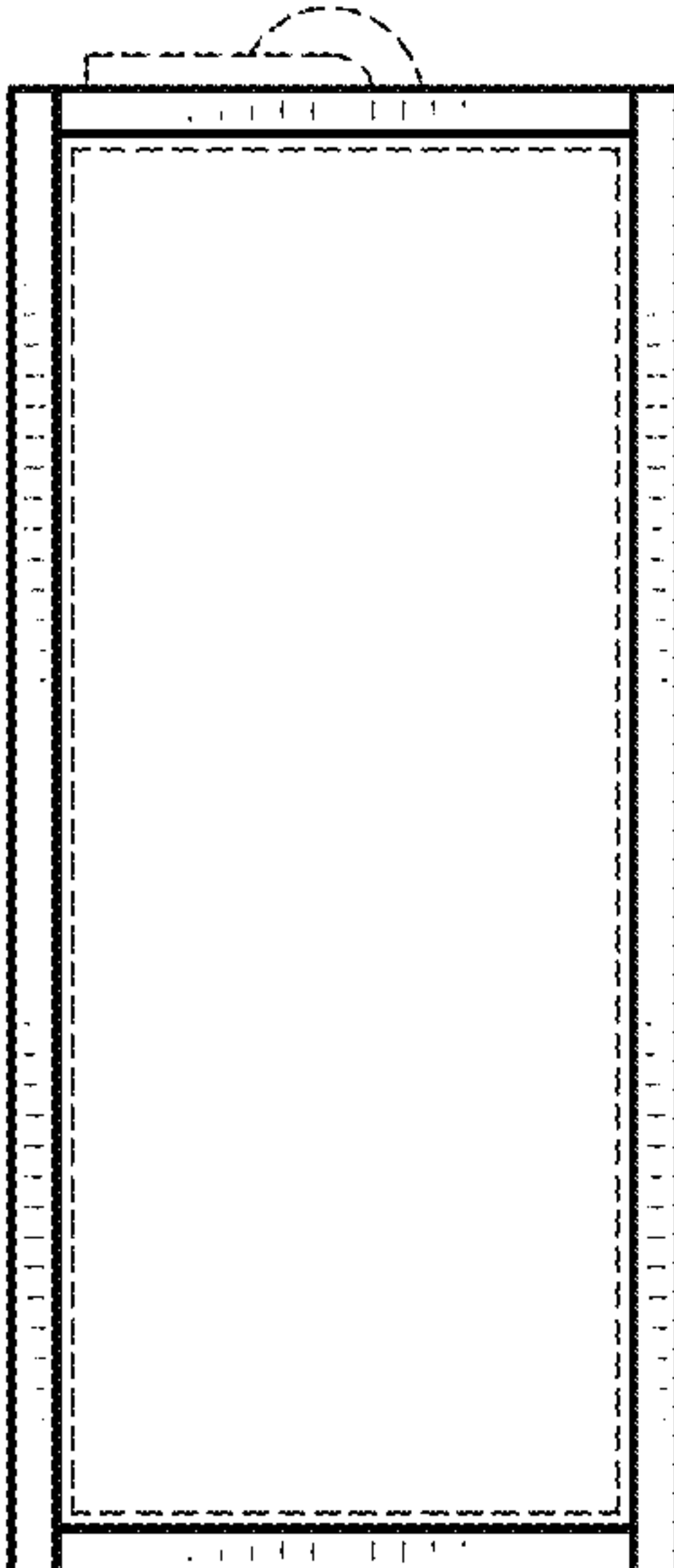


FIG-6

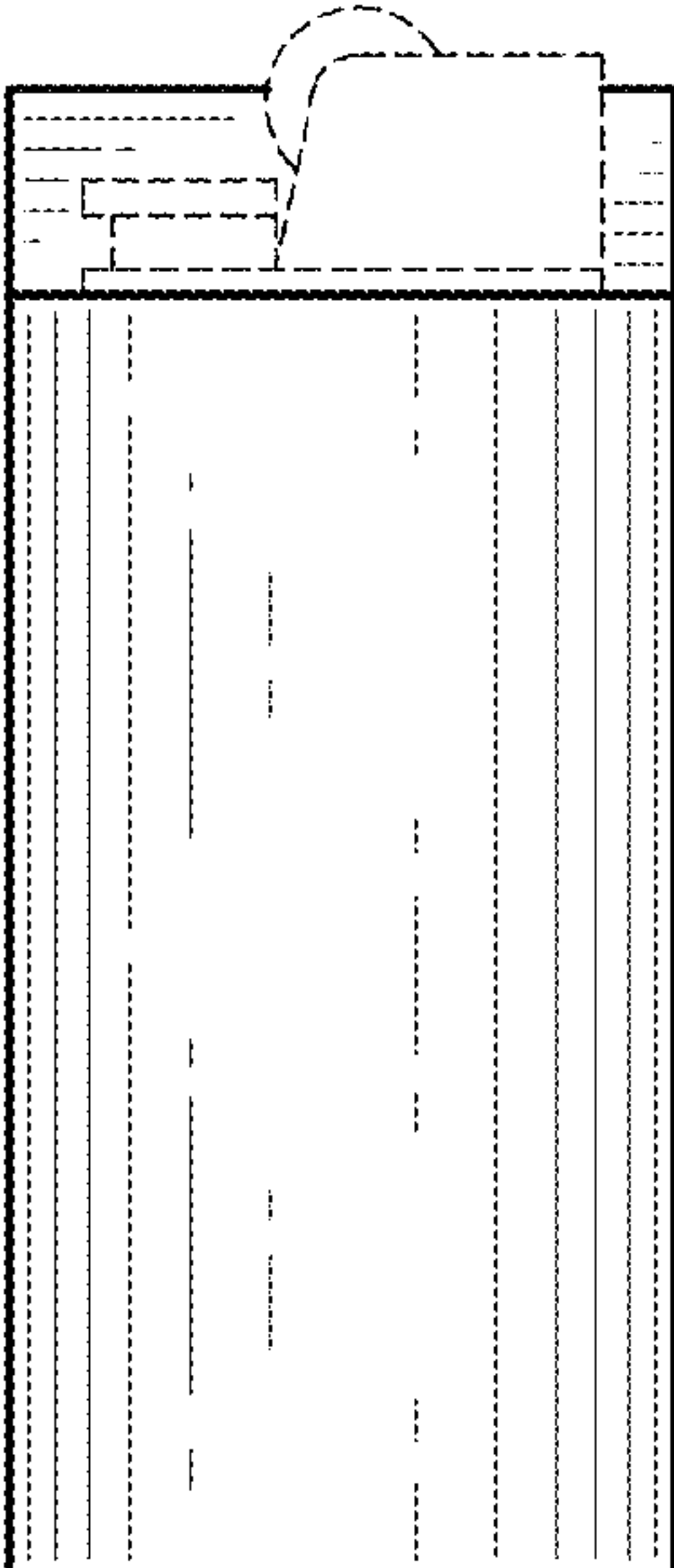


FIG-7

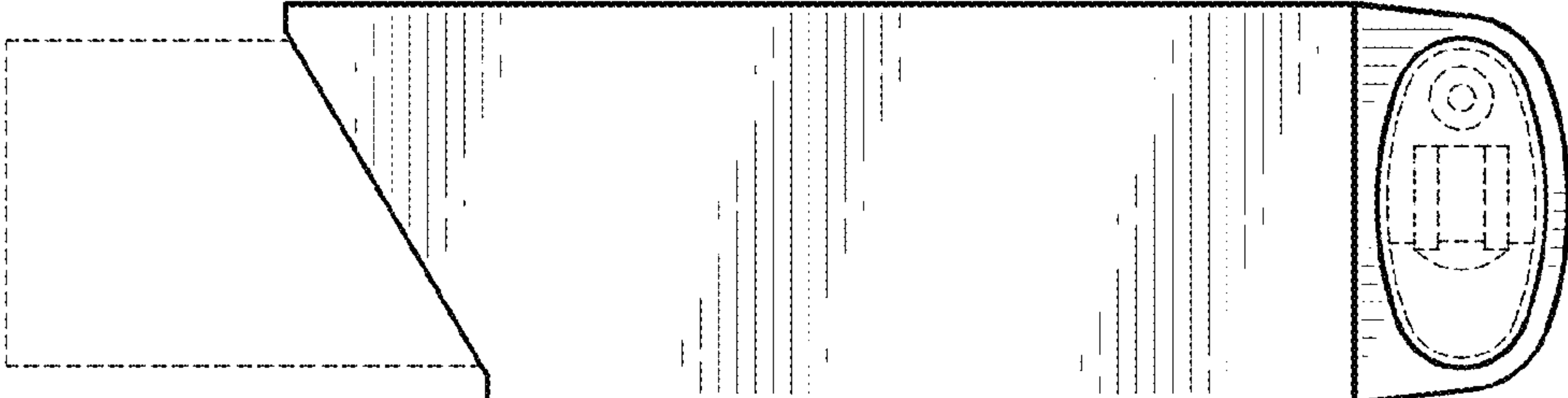


FIG-5

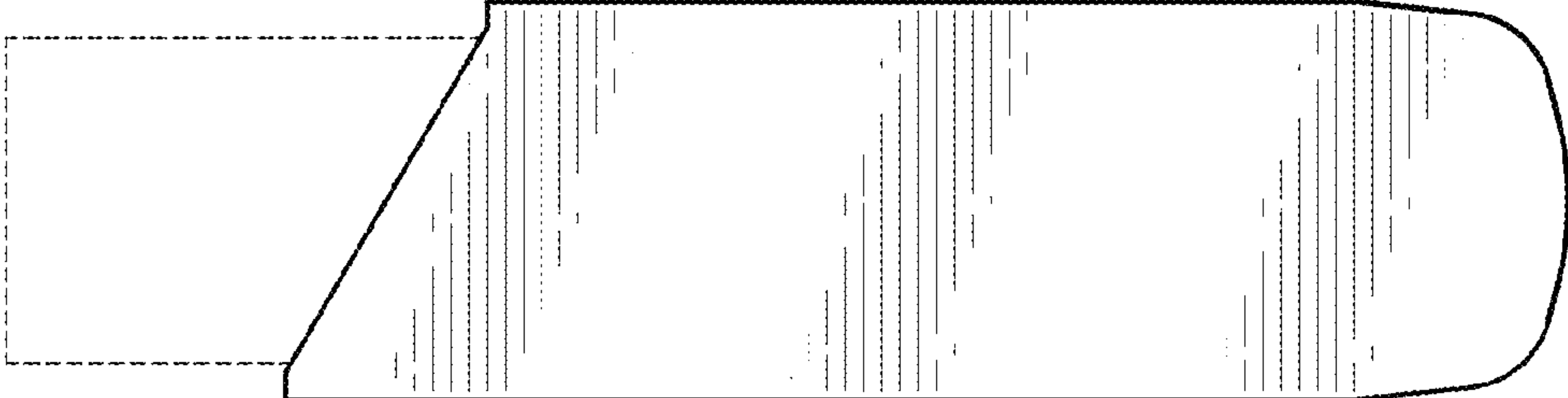


FIG-4