

US00D738568S

(12) **United States Design Patent**
Bennett

(10) **Patent No.:** **US D738,568 S**

(45) **Date of Patent:** **** Sep. 8, 2015**

(54) **SNUFFER TOOL**

(71) Applicant: **Don Bennett**, Sevierville, TN (US)

(72) Inventor: **Don Bennett**, Sevierville, TN (US)

(**) Term: **14 Years**

(21) Appl. No.: **29/482,222**

(22) Filed: **Feb. 14, 2014**

(51) **LOC (10) Cl.** **27-03**

(52) **U.S. Cl.**
USPC **D27/136**; D27/161

(58) **Field of Classification Search**
USPC D27/102–103, 109, 111–112, 129–130,
D27/133–138, 142–144, 161, 167, 172, 181,
D27/194–196; D8/1, 77; D7/387, 399, 682;
131/177, 184.1, 235.1, 238, 240.1,
131/243, 247, 256, 258
CPC A24F 23/04; A24F 9/02; A24F 19/00;
A24F 19/0014; A24F 19/0028; A24F 19/025;
A24F 19/0035; A24F 15/08; A24F 19/10;
A24F 19/14; A24F 13/18
See application file for complete search history.

(56) **References Cited**

U.S. PATENT DOCUMENTS

718,652	A *	1/1903	McMillan	131/247
1,464,998	A *	8/1923	Pratt	131/256
2,965,107	A *	12/1960	Lehv	131/256
3,269,396	A *	8/1966	Lamar	131/247

D207,617	S *	5/1967	Damis et al.	D27/135
D245,740	S *	9/1977	Richter	D27/161
D291,126	S *	7/1987	Gaptjern	D27/125
D298,972	S *	12/1988	Schauer	D27/161
D436,008	S *	1/2001	Klein et al.	D8/34
8,291,917	B2 *	10/2012	Sweeney	131/243
D678,605	S *	3/2013	Bernhardt	D27/196
D729,442	S *	5/2015	Albers	D27/161
2013/0008455	A1 *	1/2013	Healy et al.	131/247

* cited by examiner

Primary Examiner — Susan Bennett Hattan

Assistant Examiner — Janice Hallmark

(74) *Attorney, Agent, or Firm* — QuickPatents; Kevin Prince

(57) **CLAIM**

I claim the ornamental design for a snuffer tool, as shown and described.

DESCRIPTION

FIG. 1 is a perspective view of a snuffer tool, showing my new design;

FIG. 2 is a front elevational view of FIG. 1;

FIG. 3 is a rear elevational view of FIG. 1;

FIG. 4 is a right-side elevational view of FIG. 1;

FIG. 5 is a left-side elevational view of FIG. 1;

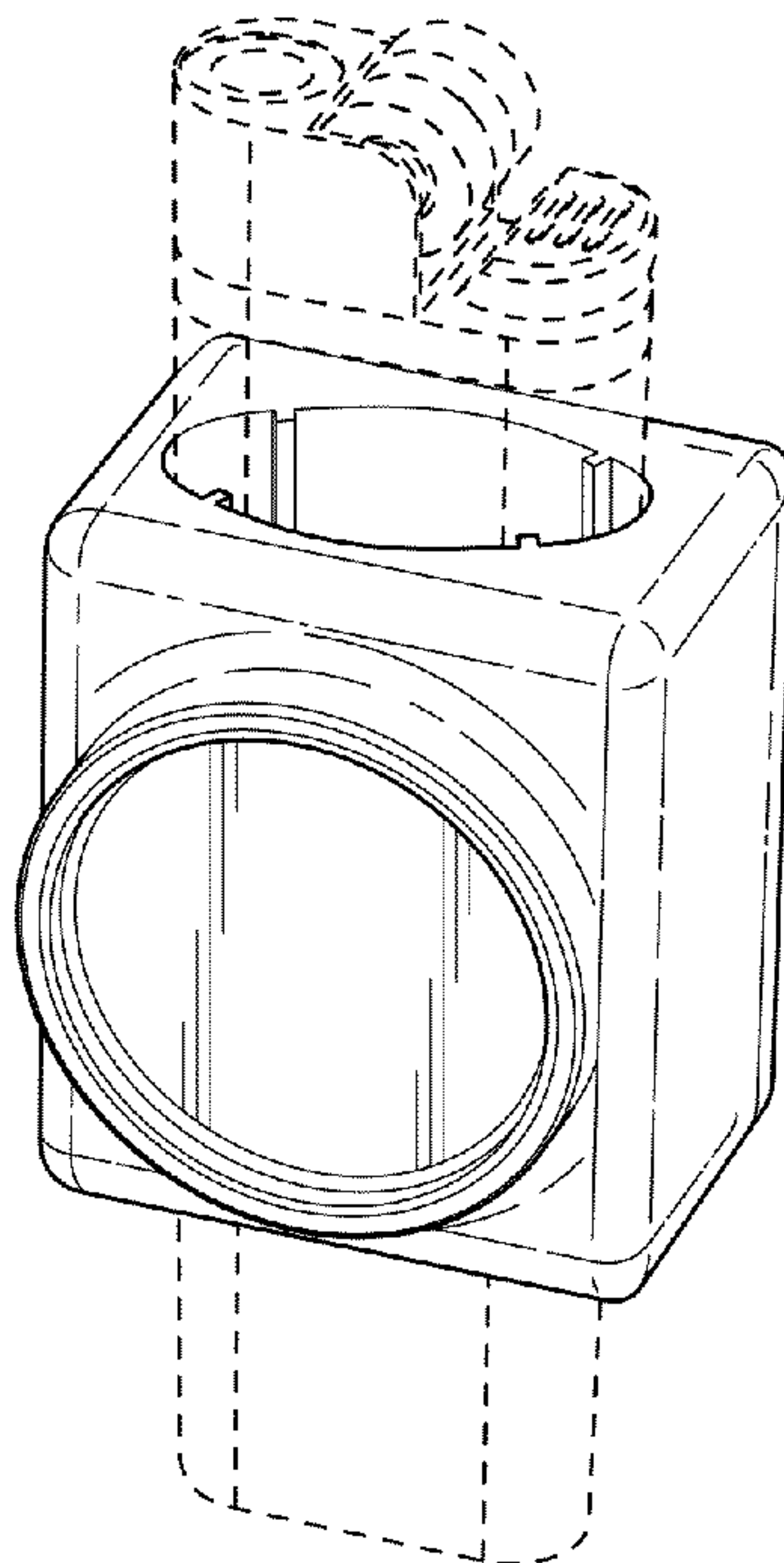
FIG. 6 is a top plan view of FIG. 1;

FIG. 7 is a bottom plan view of FIG. 1; and,

FIG. 8 is a cross-sectional view of FIG. 4, taken along line 8-8.

The broken lines showing a cigarette lighter in FIG. 1 depict environmental matter and form no part of the claimed design.

1 Claim, 2 Drawing Sheets



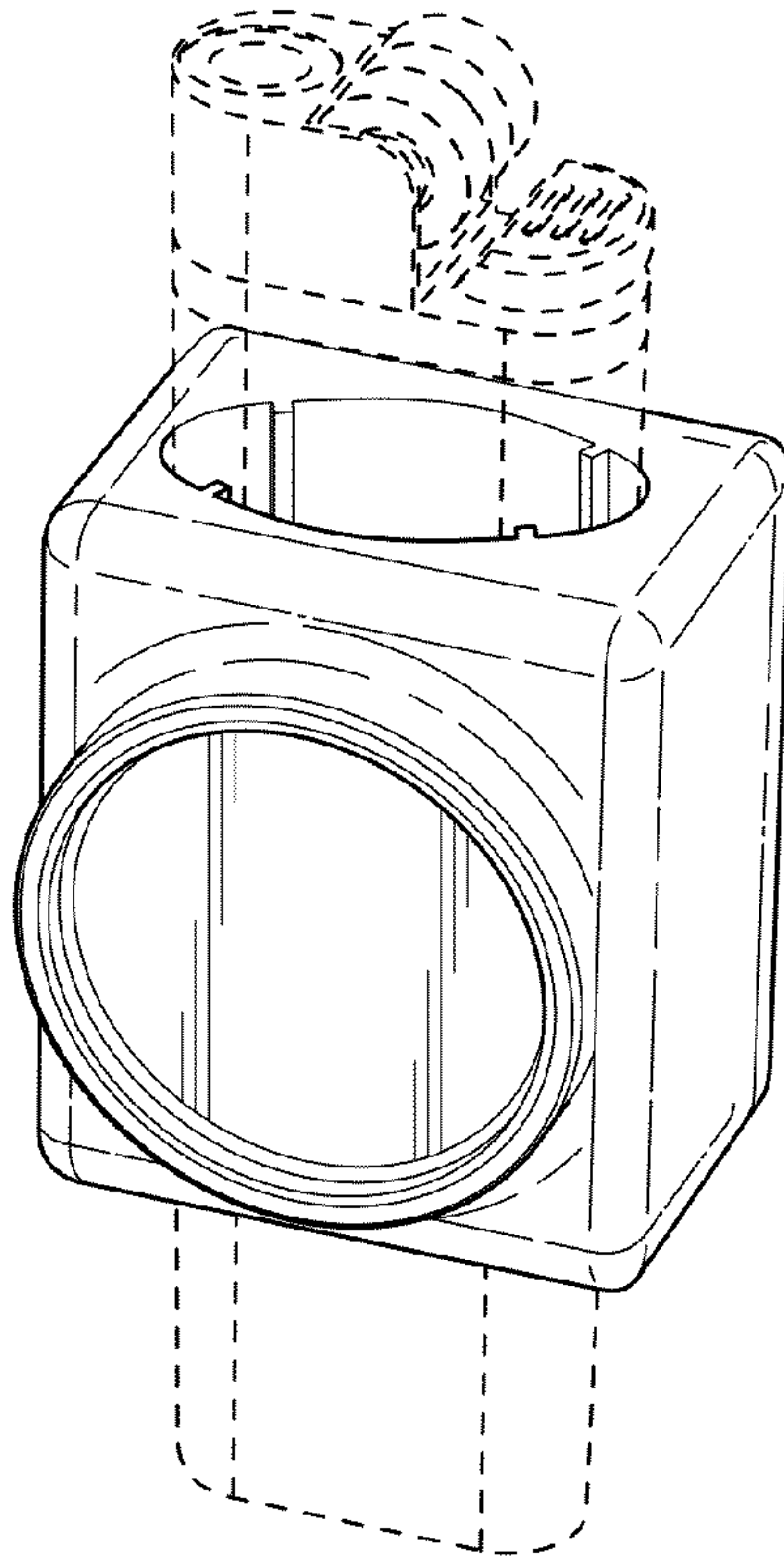


FIG. 1

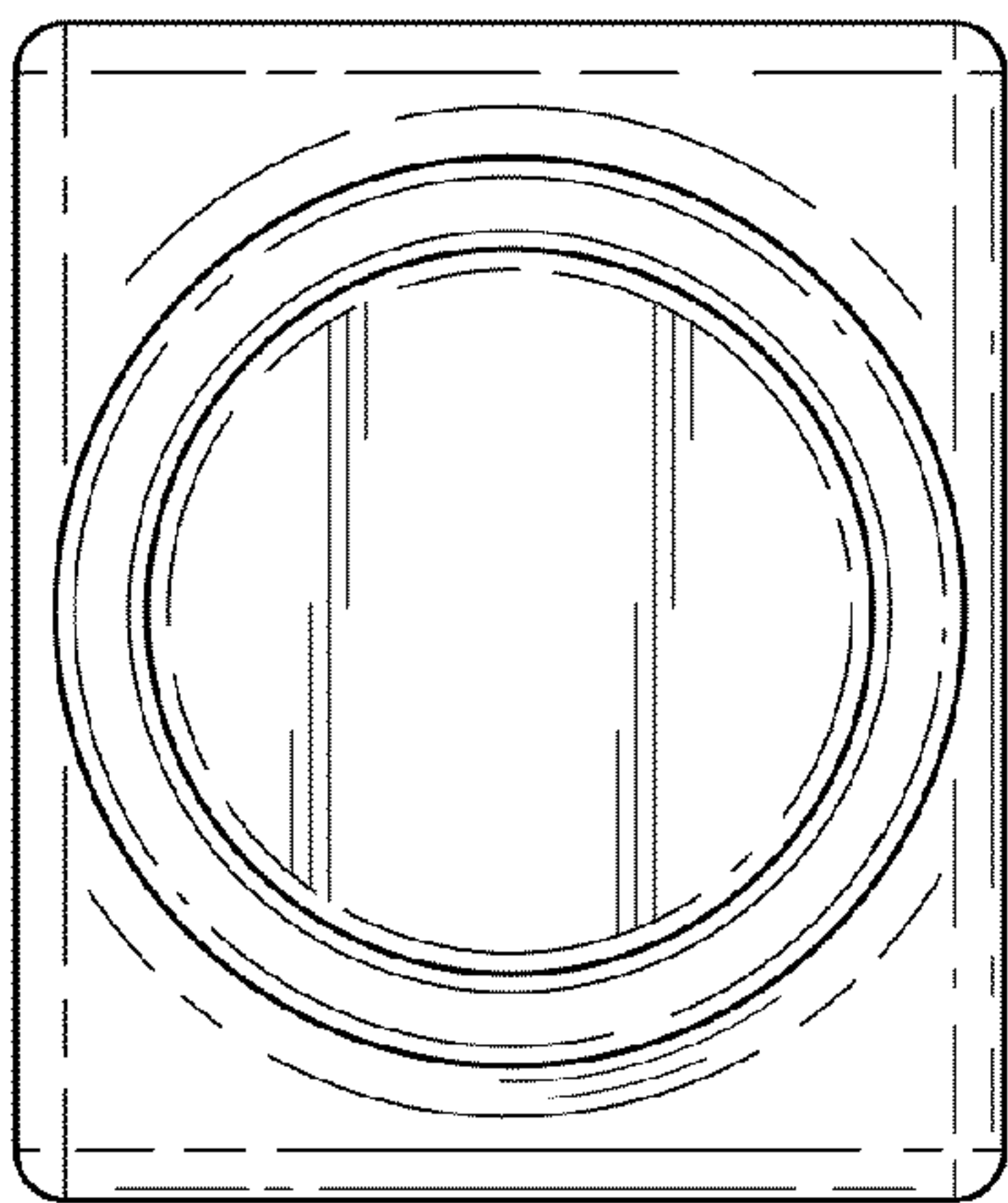


FIG. 2

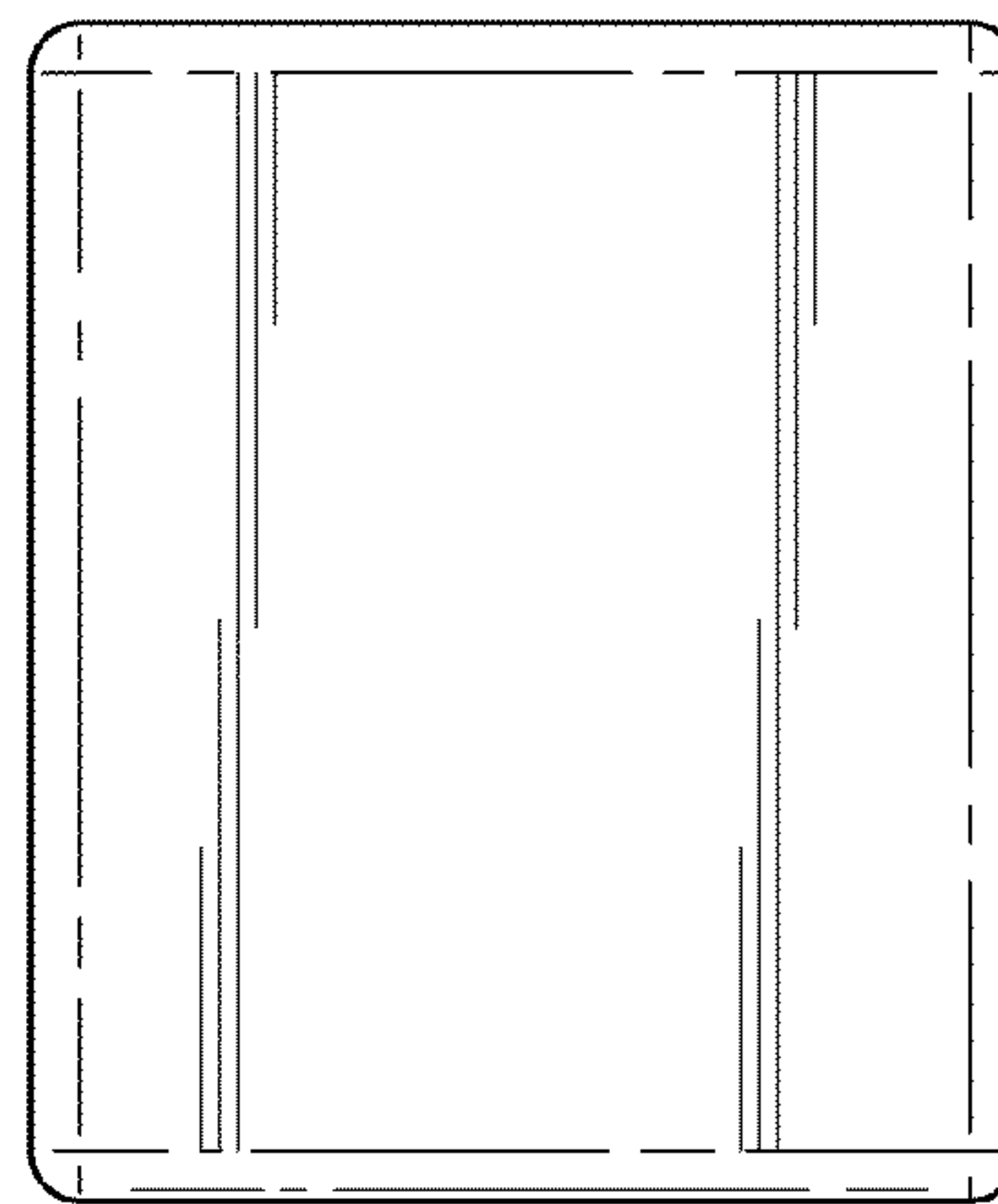


FIG. 3

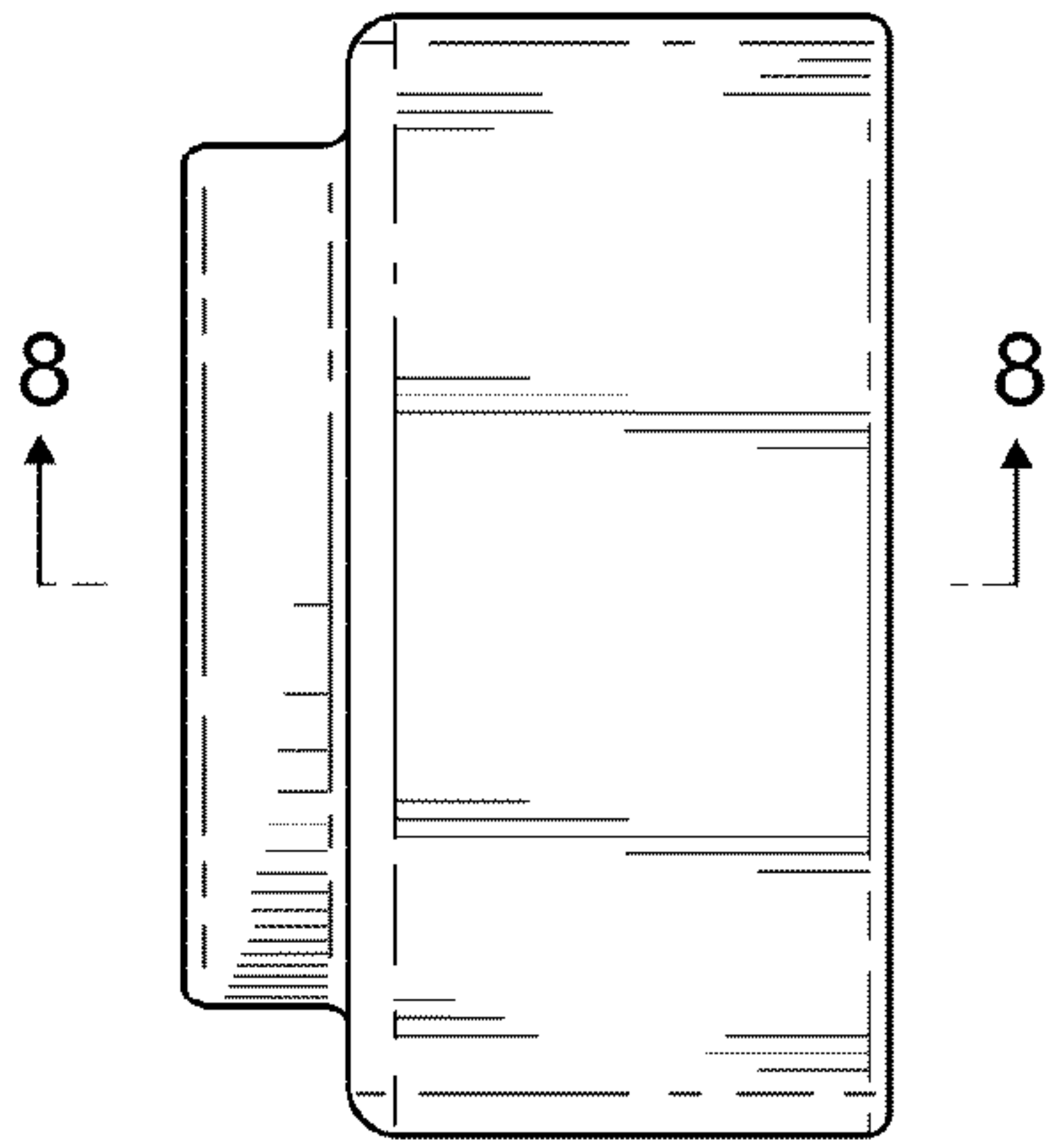


FIG. 4

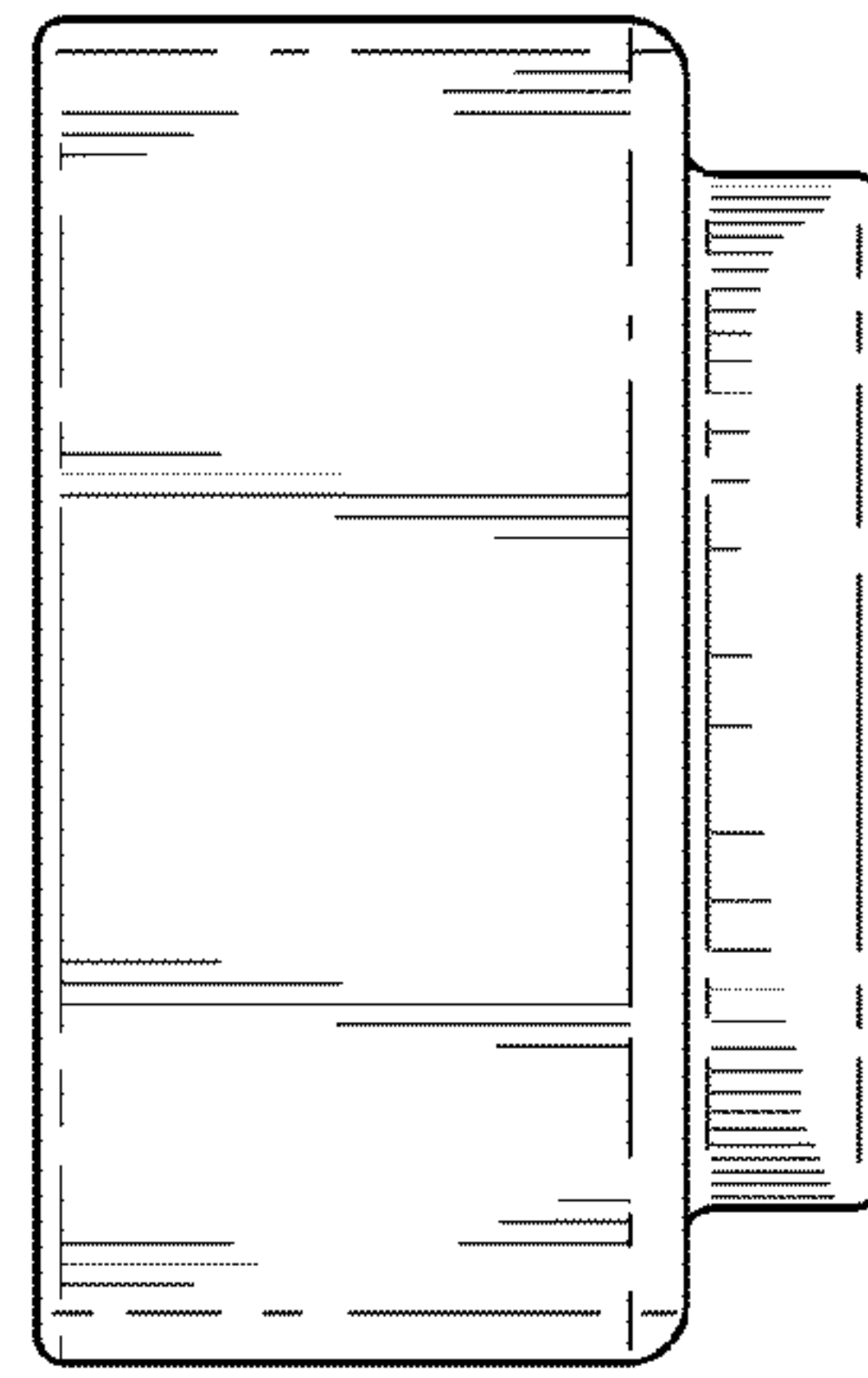


FIG. 5

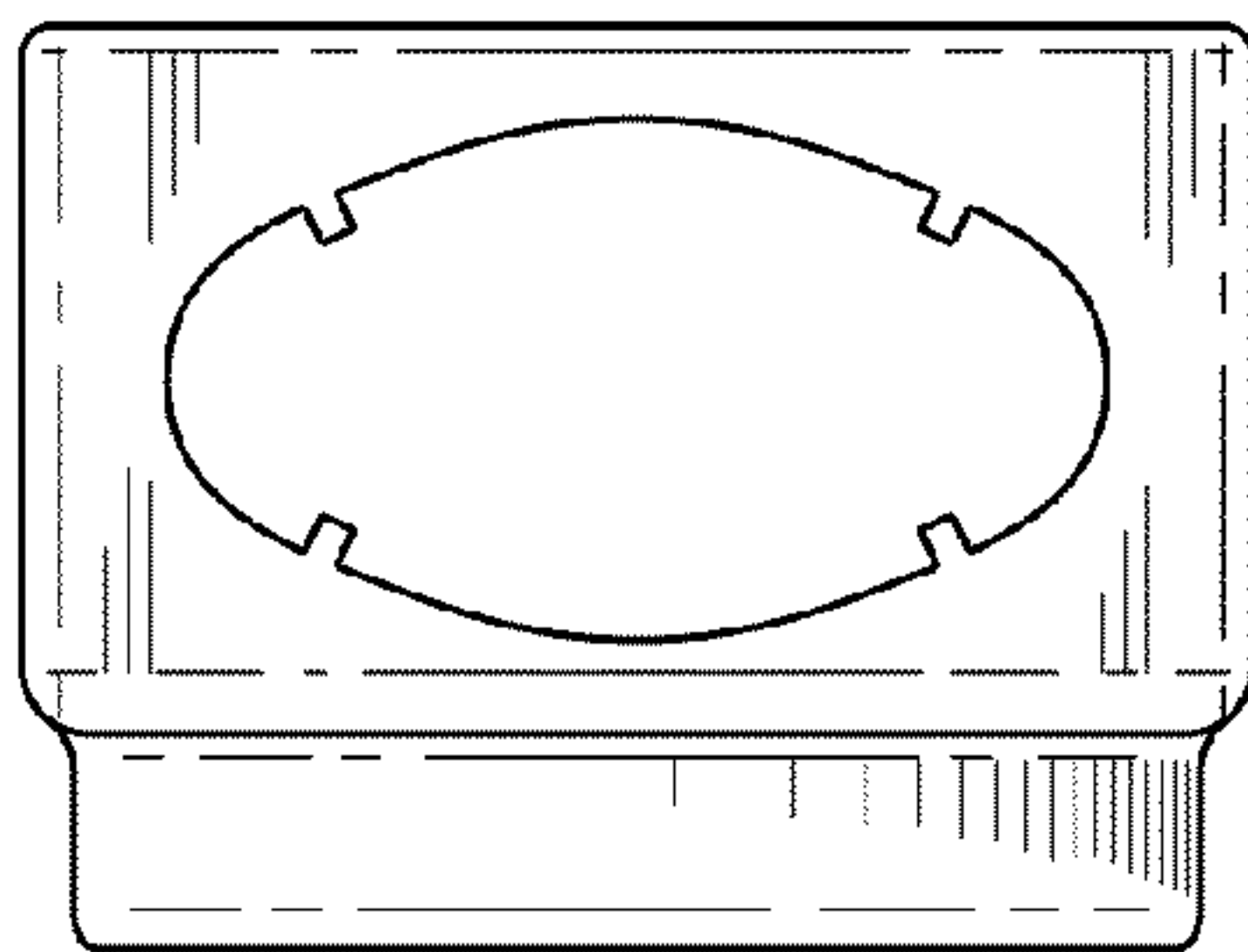


FIG. 6

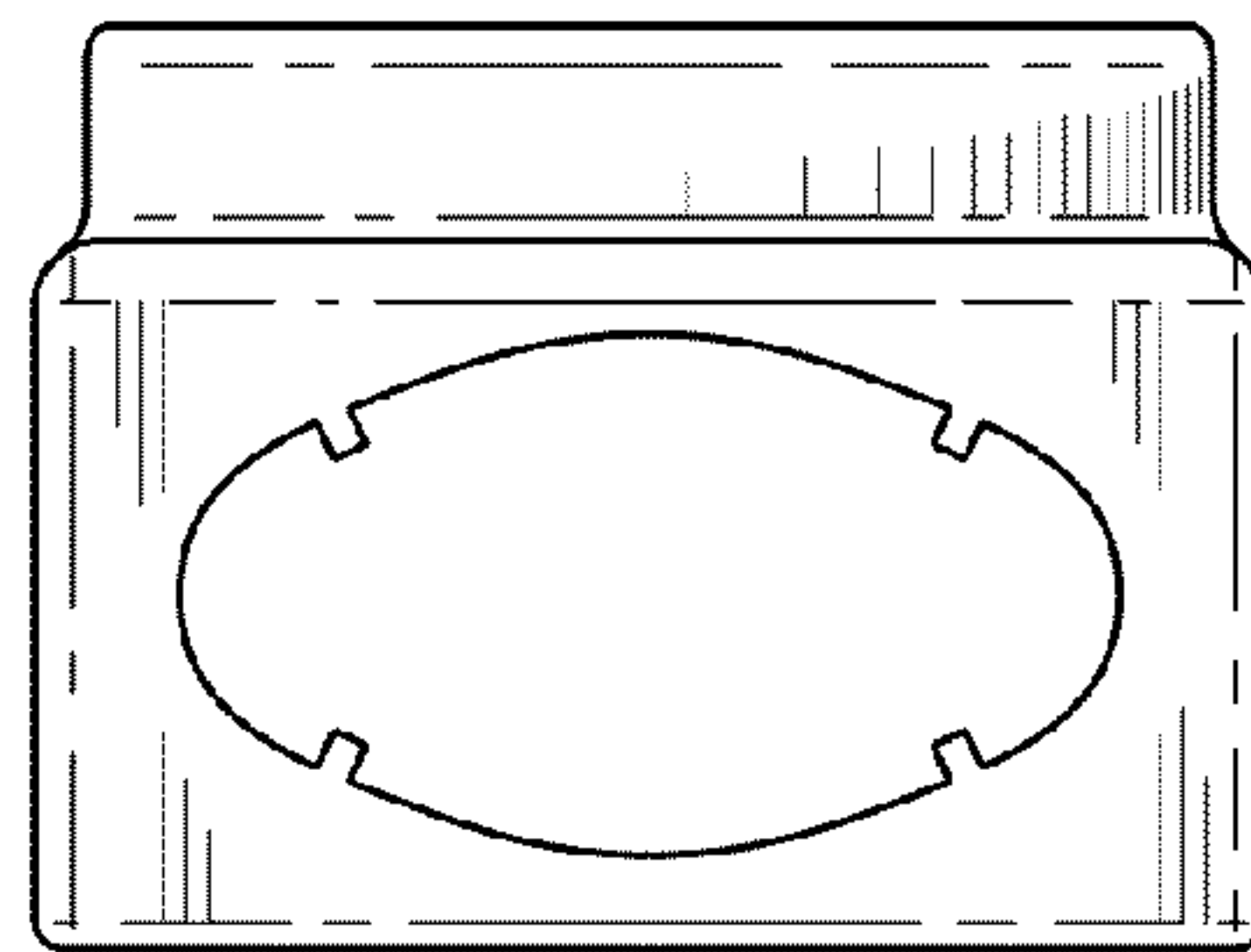


FIG. 7

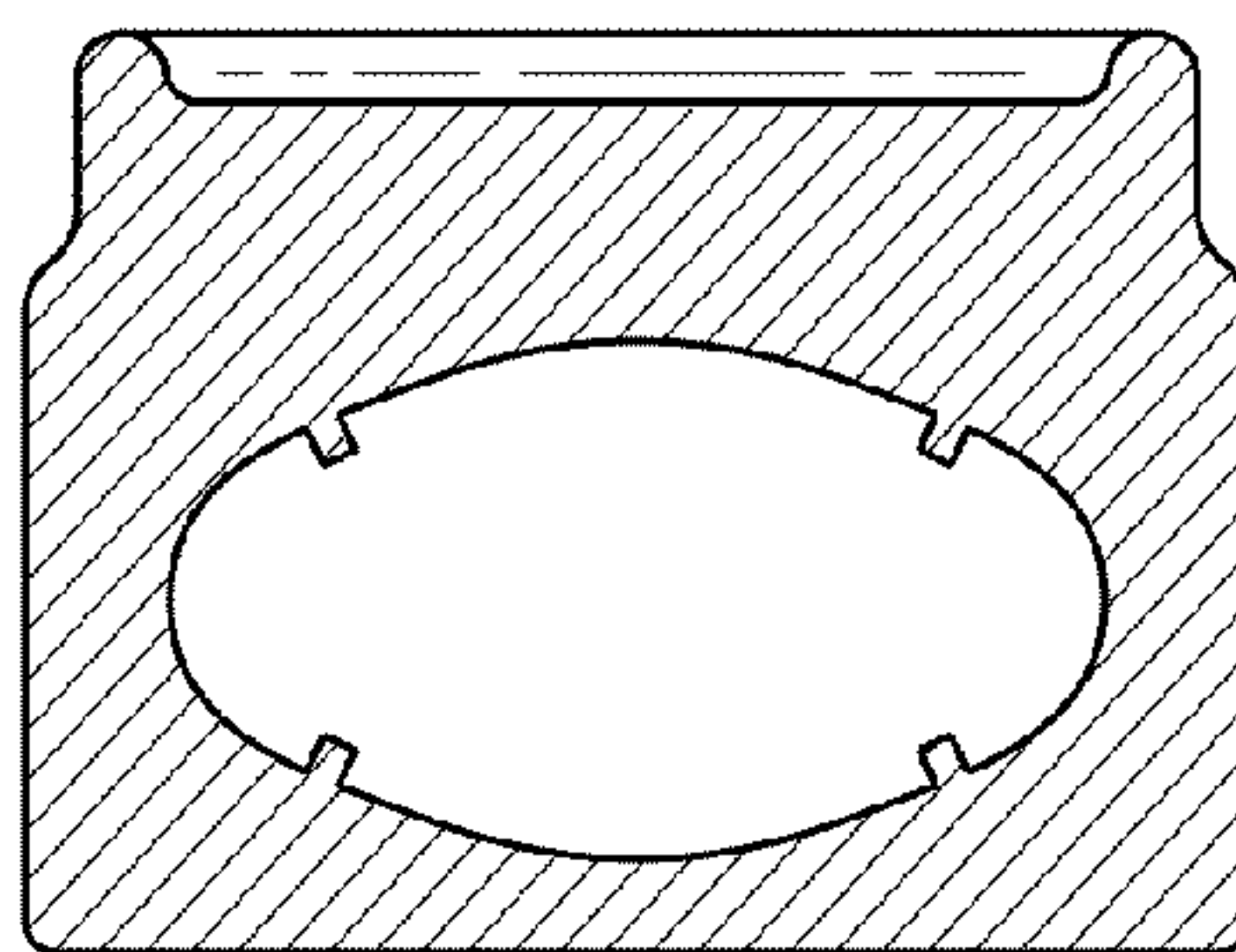


FIG. 8