



US00D738567S

(12) **United States Design Patent**  
**Tucker et al.**

(10) **Patent No.:** **US D738,567 S**  
(45) **Date of Patent:** **\*\* Sep. 8, 2015**

- (54) **ELECTRONIC SMOKING ARTICLE**
- (71) Applicant: **Altria Client Services Inc.**, Richmond, VA (US)
- (72) Inventors: **Christopher S. Tucker**, Midlothian, VA (US); **Geoffrey Brandon Jordan**, Midlothian, VA (US); **Barry S. Smith**, Hopewell, VA (US); **Ali A. Rostami**, Glen Allen, VA (US)
- (73) Assignee: **ALTRIA CLIENT SERVICES LLC**, Richmond, VA (US)
- (\*\*) Term: **14 Years**
- (21) Appl. No.: **29/511,905**
- (22) Filed: **Dec. 15, 2014**

**Related U.S. Application Data**

- (62) Division of application No. 29/469,741, filed on Oct. 14, 2013, now Pat. No. Des. 722,196, which is a division of application No. 29/443,134, filed on Jan. 14, 2013, now Pat. No. Des. 691,765.
- (51) **LOC (10) Cl.** ..... **27-01**
- (52) **U.S. Cl.**  
USPC ..... **D27/101**
- (58) **Field of Classification Search**  
USPC ..... D27/103-105, 108, 125, 172, 174-176, D27/183, 186-192, 194, 100, 101, 170, D27/163-165, 184, 185; D34/2; 206/242-276; D3/11, 215, 220, D3/226-230, 265, 266; 4/258, 259, 267, 4/271, 283; 131/270-273, 329, 330, 194, 131/189, 347, 360-365; D24/110, 113; D19/77, 81, 84; D28/73-77, 83, 85  
CPC ..... A24F 47/00; A24F 47/002; A24F 47/004; A24F 47/006; A24F 47/008  
See application file for complete search history.

(56) **References Cited**

U.S. PATENT DOCUMENTS

539,839 A *	5/1895	Voron .....	131/361
1,013,157 A	1/1912	Hadaway, Jr.	
1,514,682 A	11/1924	Wilson	
1,771,366 A	7/1930	Wyss et al.	
1,968,509 A	7/1934	Tiffany	

(Continued)

FOREIGN PATENT DOCUMENTS

BE	421623 A	6/1937
CN	87104459 A	2/1988

(Continued)

OTHER PUBLICATIONS

International Search Report and Written Opinion for PCT/US13/24211 dated Apr. 19, 2013.

(Continued)

*Primary Examiner* — Susan Bennett Hattan

*Assistant Examiner* — Janice Hallmark

(74) *Attorney, Agent, or Firm* — Harness, Dickey & Pierce, P.L.C.

(57) **CLAIM**

The ornamental design for an electronic smoking article, as shown and described.

**DESCRIPTION**

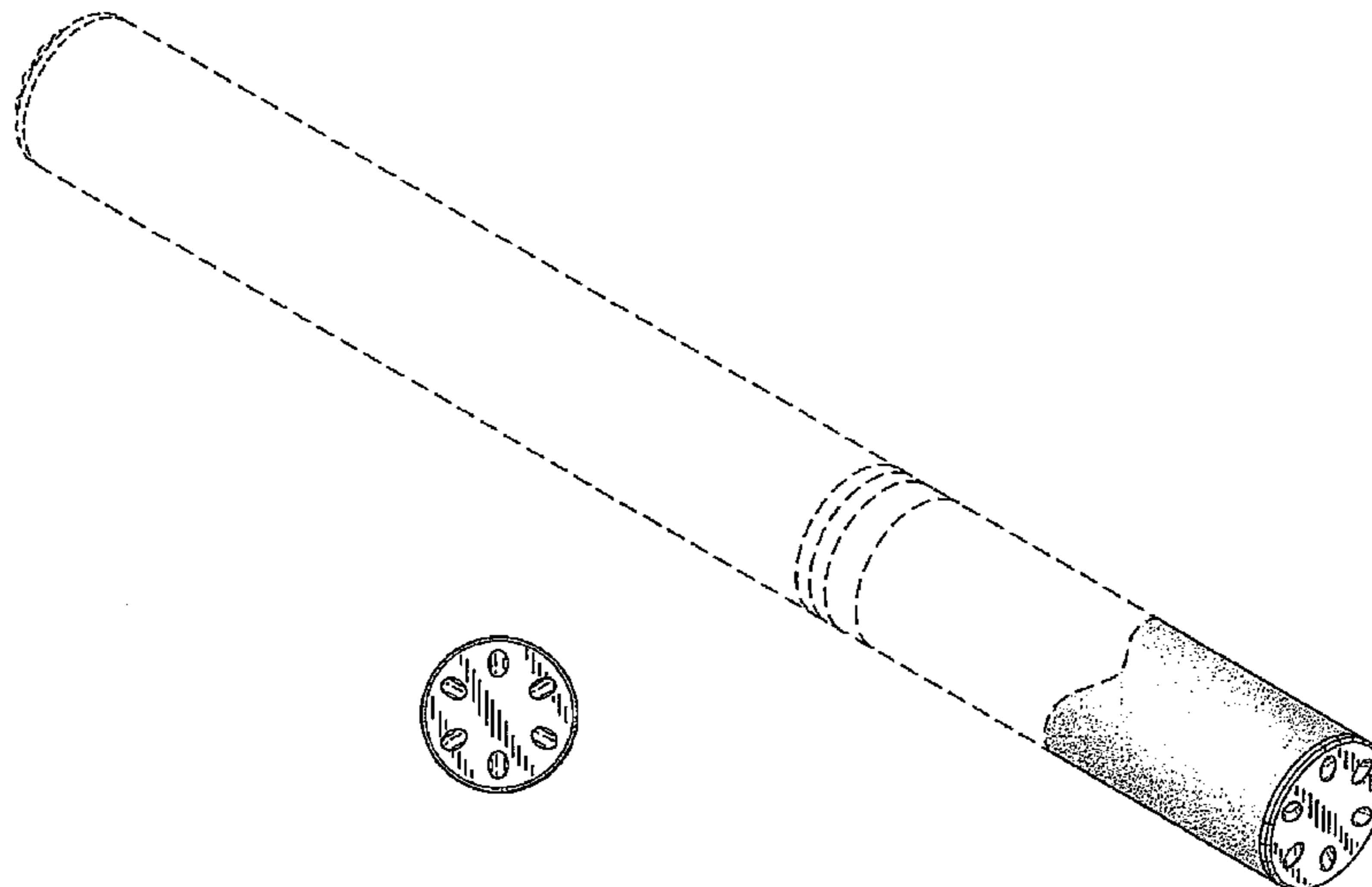
FIG. 1 is a perspective view of an electronic smoking article showing our new design.

FIG. 2 is side elevational view thereof, the other side being a mirror image; and,

FIG. 3 is an end elevational view thereof.

The broken line showing illustrates portions of the electronic smoking article which form no part of the claimed design.

**1 Claim, 2 Drawing Sheets**



(56)

## References Cited

## U.S. PATENT DOCUMENTS

2,057,353 A	10/1936	Whittlemore, Jr.	5,137,578 A	8/1992	Chan
2,104,266 A	1/1938	McCormick	5,139,594 A	8/1992	Rabin
2,406,275 A	8/1946	Wejnarth	5,144,962 A	9/1992	Counts et al.
2,442,004 A	5/1948	Hayward-Butt	5,144,964 A	9/1992	Demain
2,558,127 A	6/1951	Downs	5,157,242 A	10/1992	Hetherington et al.
2,836,183 A *	5/1958	Fay et al. .... 131/270	5,159,940 A	11/1992	Hayward et al.
2,907,686 A	10/1959	Siegel	5,179,966 A	1/1993	Losee et al.
2,971,039 A	2/1961	Western	5,224,498 A	7/1993	Deevi et al.
2,972,557 A	2/1961	Toulmin, Jr.	5,228,460 A	7/1993	Sprinkel et al.
2,974,669 A	3/1961	Ellis	5,235,157 A	8/1993	Blackburn
3,062,218 A	11/1962	Temkovtis	5,249,586 A	10/1993	Morgan et al.
3,200,819 A	8/1965	Gilbert	5,269,327 A *	12/1993	Counts et al. .... 131/194
3,255,760 A	6/1966	Selker	5,274,214 A	12/1993	Blackburn
3,258,015 A	6/1966	Ellis et al.	5,285,050 A	2/1994	Blackburn
3,356,094 A	12/1967	Ellis et al.	5,322,075 A	6/1994	Deevi et al.
3,363,633 A	1/1968	Weber	5,353,813 A	10/1994	Deevi et al.
3,402,723 A	9/1968	Hu	5,369,723 A	11/1994	Counts et al.
3,482,580 A	12/1969	Hollabaugh	5,388,594 A	2/1995	Counts et al.
3,559,300 A	2/1971	Fox	5,396,911 A	3/1995	Casey, III et al.
3,587,573 A *	6/1971	Flack ..... 128/203.21	5,408,574 A	4/1995	Deevi et al.
3,608,560 A	9/1971	Briskin et al.	5,473,251 A	12/1995	Mori
3,681,018 A	8/1972	Knauff	5,498,855 A	3/1996	Deevi et al.
3,738,374 A	6/1973	Bennett	5,505,214 A	4/1996	Collins et al.
3,744,496 A	7/1973	McCarty et al.	5,591,368 A	1/1997	Fleischhauer et al.
D229,725 S *	12/1973	Berger ..... D27/101	5,595,706 A	1/1997	Sikka et al.
D229,788 S *	1/1974	Berger ..... D27/101	5,611,360 A *	3/1997	Tang ..... 131/194
D229,789 S *	1/1974	Berger ..... D27/101	5,613,504 A	3/1997	Collins et al.
D229,790 S *	1/1974	Berger ..... D27/101	5,724,997 A	3/1998	Smith et al.
3,789,840 A *	2/1974	Rosenblatt ..... 131/273	5,865,185 A	2/1999	Collins et al.
3,804,100 A	4/1974	Fariello	5,878,752 A	3/1999	Adams et al.
3,875,476 A	4/1975	Crandall et al.	5,935,975 A	8/1999	Rose et al.
3,878,041 A	4/1975	Leitnaker et al.	6,155,268 A	12/2000	Takeuchi
3,889,690 A	6/1975	Guarnieri	6,196,218 B1	3/2001	Voges
3,895,219 A	7/1975	Richerson et al.	D453,854 S	2/2002	Verhoeven-Koster
3,943,941 A	3/1976	Boyd et al.	6,598,607 B2	7/2003	Adiga et al.
D240,541 S *	7/1976	Rupert ..... D27/101	6,715,487 B2	4/2004	Nichols et al.
4,016,061 A	4/1977	Wasa et al.	6,772,756 B2	8/2004	Shayan
4,068,672 A	1/1978	Guerra	6,854,470 B1	2/2005	Pu
4,077,784 A	3/1978	Vayrynen	7,131,599 B2	11/2006	Katase
4,083,372 A	4/1978	Boden	7,167,641 B2	1/2007	Tam et al.
4,098,725 A	7/1978	Yamamoto et al.	7,458,374 B2	12/2008	Hale et al.
4,110,260 A	8/1978	Yamamoto et al.	D590,988 S	4/2009	Hon
4,131,119 A	12/1978	Blasutti	D590,989 S	4/2009	Hon
4,141,369 A	2/1979	Burruss	D590,990 S	4/2009	Hon
4,164,230 A	8/1979	Pearlman	D590,991 S	4/2009	Hon
4,193,411 A	3/1980	Faris et al.	D613,902 S *	4/2010	Kaljura ..... D27/101
4,215,708 A	8/1980	Bron	7,726,320 B2	6/2010	Robinson et al.
4,219,032 A	8/1980	Tabatznik et al.	7,789,089 B2	9/2010	Dube et al.
4,246,913 A	1/1981	Ogden et al.	7,810,508 B2	10/2010	Wyss-Peters et al.
4,256,945 A	3/1981	Carter et al.	7,832,410 B2	11/2010	Hon
4,259,970 A	4/1981	Green, Jr.	7,845,359 B2	12/2010	Montaser
4,331,166 A	5/1982	Hale	7,878,962 B2	2/2011	Karles et al.
D270,097 S *	8/1983	Minkevitch ..... D27/127	7,938,124 B2	5/2011	Izumiya et al.
4,419,302 A	12/1983	Nishino et al.	7,997,280 B2	8/2011	Rosenthal
4,457,319 A	7/1984	Lamb et al.	D646,431 S *	10/2011	Awty et al. .... D27/194
4,493,331 A	1/1985	Porenski, Jr.	D651,338 S *	12/2011	Awty et al. .... D27/194
4,517,996 A	5/1985	Vester	8,079,371 B2	12/2011	Robinson et al.
4,649,944 A	3/1987	Houck, Jr. et al.	D652,987 S *	1/2012	Kaljura ..... D27/101
4,687,008 A	8/1987	Houck, Jr. et al.	D653,390 S *	1/2012	Kaljura ..... D27/101
4,765,347 A	8/1988	Sensabaugh, Jr. et al.	D653,802 S *	2/2012	Kaljura ..... D27/101
4,804,002 A	2/1989	Herron	D655,036 S	2/2012	Zhou
4,941,486 A	7/1990	Dube et al.	8,118,161 B2	2/2012	Guerrera et al.
4,945,929 A	8/1990	Egilmex	8,127,772 B2	3/2012	Montaser
4,981,522 A	1/1991	Nichols et al.	8,156,944 B2	4/2012	Han
4,991,606 A	2/1991	Serrano et al.	8,157,918 B2	4/2012	Becker et al.
5,016,656 A	5/1991	McMurtrie	8,205,622 B2	6/2012	Pan
5,040,552 A	8/1991	Schleich et al.	8,314,591 B2	11/2012	Terry et al.
5,042,510 A *	8/1991	Curtiss et al. .... 131/273	8,495,998 B2 *	7/2013	Schennum ..... 128/200.23
5,045,237 A	9/1991	Washburn	D691,324 S *	10/2013	Saliman ..... D27/101
5,060,671 A	10/1991	Counts et al.	D691,765 S *	10/2013	Tucker et al. .... D27/101
5,076,296 A	12/1991	Nystrom et al.	D691,766 S *	10/2013	Tucker et al. .... D27/170
5,085,804 A	2/1992	Washburn	D692,613 S *	10/2013	Morreale ..... D27/170
5,093,894 A	3/1992	Deevi et al.	8,550,068 B2 *	10/2013	Terry et al. .... 128/202.21
5,095,921 A	3/1992	Losee et al.	D695,449 S *	12/2013	Tucker et al. .... D27/101
5,116,298 A	5/1992	Bondanelli et al.	D722,196 S *	2/2015	Tucker et al. .... D27/101
			D724,262 S *	3/2015	Hearn et al. .... D27/101
			D724,781 S *	3/2015	Hearn et al. .... D27/101
			D725,822 S *	3/2015	Liu ..... D27/101
			9,004,073 B2 *	4/2015	Tucker et al. .... 131/273



(56)

## References Cited

## FOREIGN PATENT DOCUMENTS

U.S. PATENT DOCUMENTS				FOREIGN PATENT DOCUMENTS			
				CN	277799		5/2006
				CN	10132257		12/2008
2002/0005207	A1*	1/2002	Wrenn et al. .... 131/194	CN	20157150		9/2010
2004/0020500	A1	2/2004	Wrenn et al.	CN	20170939		1/2011
2004/0099266	A1	5/2004	Cross et al.	CN	20178992		4/2011
2005/0016550	A1	1/2005	Katase	CN	20179799		4/2011
2005/0016553	A1	1/2005	Iannuzzi	CN	10210661		6/2011
2005/0175331	A1	8/2005	Tam et al.	CN	201860753	U	6/2011
2006/0191546	A1	8/2006	Takano et al.	CN	10216604		8/2011
2006/0196518	A1	9/2006	Hon	CN	20198668		9/2011
2006/0254604	A1*	11/2006	Martinez Fernandez .... 131/273	CN	202014571		10/2011
2007/0095357	A1	5/2007	Besso et al.	CN	202014572	U	10/2011
2007/0267031	A1	11/2007	Hon	CN	202026802		10/2011
2007/0267032	A1	11/2007	Shan	CN	202026804	U	11/2011
2008/0092912	A1	4/2008	Robinson et al.	CN	20223305	U	5/2012
2008/0230052	A1	9/2008	Montaser	CN	20223307		5/2012
2008/0276947	A1	11/2008	Martzel	DE	3640917	A1	8/1988
2009/0007925	A1	1/2009	Rasouli et al.	DE	3735704	A1	5/1989
2009/0044816	A1	2/2009	Rasouli et al.	EM	00054630-0001		11/2013
2009/0126745	A1	5/2009	Hon	EM	00054630-0002		11/2013
2009/0151717	A1	6/2009	Bowen et al.	EM	000084876-0001		11/2013
2009/0162294	A1	6/2009	Werner	EM	000084876-0002		11/2013
2009/0188490	A1	7/2009	Han	EM	000084876-0003		11/2013
2009/0230117	A1	9/2009	Fernando et al.	EM	000084876-0004		11/2013
2009/0272379	A1	11/2009	Thorens et al.	EM	000084876-0005		11/2013
2010/0083959	A1	4/2010	Siller	EM	000084876-0006		11/2013
2010/0126505	A1	5/2010	Rinker	EM	000084876-0007		11/2013
2010/0206317	A1	8/2010	Albino et al.	EM	000084876-0008		11/2013
2010/0307518	A1	12/2010	Wang	EM	000084876-0009		11/2013
2011/0011396	A1	1/2011	Fang	EM	000084876-0010		11/2013
2011/0036346	A1	2/2011	Cohen et al.	EM	000084876-0011		11/2013
2011/0036363	A1	2/2011	Urtsev et al.	EM	000084876-0012		11/2013
2011/0088707	A1*	4/2011	Hajaligol ..... 131/194	EM	000084876-0013		11/2013
2011/0094523	A1	4/2011	Thorens et al.	EM	000084876-0014		11/2013
2011/0120455	A1	5/2011	Murphy	EM	000084876-0015		11/2013
2011/0120482	A1	5/2011	Brenneise	EM	000084876-0016		11/2013
2011/0155153	A1	6/2011	Thorens et al.	EM	000084876-0017		11/2013
2011/0209717	A1	9/2011	Han	EP	0117355	A2	9/1984
2011/0220134	A1*	9/2011	Duke et al. .... 131/331	EP	0277519	A2	8/1988
2011/0232654	A1*	9/2011	Mass ..... 131/273	EP	0295122	A2	12/1988
2011/0245493	A1	10/2011	Rabinowitz et al.	EP	0358 002	A2	3/1990
2011/0265806	A1	11/2011	Alarcon et al.	EP	0358114	A2	3/1990
2011/0277756	A1	11/2011	Terry et al.	EP	0430566	A2	6/1991
2011/0277757	A1	11/2011	Terry et al.	EP	0438862	A2	7/1991
2011/0277760	A1	11/2011	Terry et al.	EP	0608783	A1	8/1994
2011/0277761	A1	11/2011	Terry et al.	EP	0845220	A1	6/1998
2011/0277764	A1	11/2011	Terry et al.	EP	0893071	A1	1/1999
2011/0277780	A1*	11/2011	Terry et al. .... 131/273	EP	1128741	A1	9/2001
2011/0303231	A1	12/2011	Li et al.	EP	1618803	A1	1/2006
2011/0304282	A1	12/2011	Li et al.	EP	1736065	A1	12/2006
2012/0006342	A1	1/2012	Rose et al.	EP	2113178	A1	11/2009
2012/0090629	A1	4/2012	Turner et al.	NL	8201585	A	11/1982
2012/0111347	A1	5/2012	Hon	WO	WO-86/02528	A1	5/1986
2012/0118301	A1	5/2012	Montaser	WO	WO-95/02970	A1	2/1995
2012/0145169	A1	6/2012	Wu	WO	WO-00/28843	A1	5/2000
2012/0167906	A1	7/2012	Gysland	WO	WO-2004/043175	A1	5/2004
2012/0186594	A1	7/2012	Liu	WO	WO-2004/080216	A1	9/2004
2012/0199146	A1	8/2012	Marangos	WO	WO-2004/095955	A1	11/2004
2012/0199663	A1	8/2012	Qiu	WO	WO-2005/099494	A1	10/2005
2012/0211015	A1	8/2012	Li et al.	WO	WO-2007/066374	A1	6/2007
2012/0230659	A1	9/2012	Goodman et al.	WO	WO-2007/078273	A1	7/2007
2012/0260927	A1	10/2012	Liu	WO	WO-2007/098337	A2	8/2007
2012/0285475	A1	11/2012	Liu	WO	WO-2007/131449	A1	11/2007
2012/0312313	A1	12/2012	Frija	WO	WO-2007/131450	A1	11/2007
2012/0318882	A1	12/2012	Abehasera	WO	WO-2007/141668	A2	12/2007
2013/0014772	A1	1/2013	Liu	WO	WO-2008/055423	A1	5/2008
2013/0019887	A1	1/2013	Liu	WO	WO-2010/091593	A1	8/2010
2013/0032159	A1	2/2013	Capuano	WO	WO-2010/145468	A1	12/2010
2013/0081642	A1	4/2013	Safari	WO	WO-2011/121326	A2	10/2011
2013/0118509	A1	5/2013	Richardson	WO	WO-2011/124033	A1	10/2011
2013/0192623	A1*	8/2013	Tucker et al. .... 131/329	WO	WO-2011/146372	A2	11/2011
2013/0213418	A1*	8/2013	Tucker et al. .... 131/328	WO	WO-2012/088675	A1	7/2012
2013/0213419	A1*	8/2013	Tucker et al. .... 131/328	WO	WO-2012/109371	A2	8/2012
				WO	WO-2012/129812	A1	10/2012
				WO	WO-2012/142293	A2	10/2012
				WO	WO-2012129787	A1	10/2012

(56)

**References Cited**

FOREIGN PATENT DOCUMENTS

OTHER PUBLICATIONS

International Search Report and Written Opinion for PCT/US13/  
24219 dated Apr. 22, 2013.

International Search Report and Written Opinion for PCT/US13/  
24229 dated Apr. 22, 2013.

International Search Report and Written Opinion for PCT/US13/  
24215 dated Apr. 22, 2013.

International Search Report and Written Opinion for PCT/US13/  
24228 dated Apr. 9, 2013.

\* cited by examiner

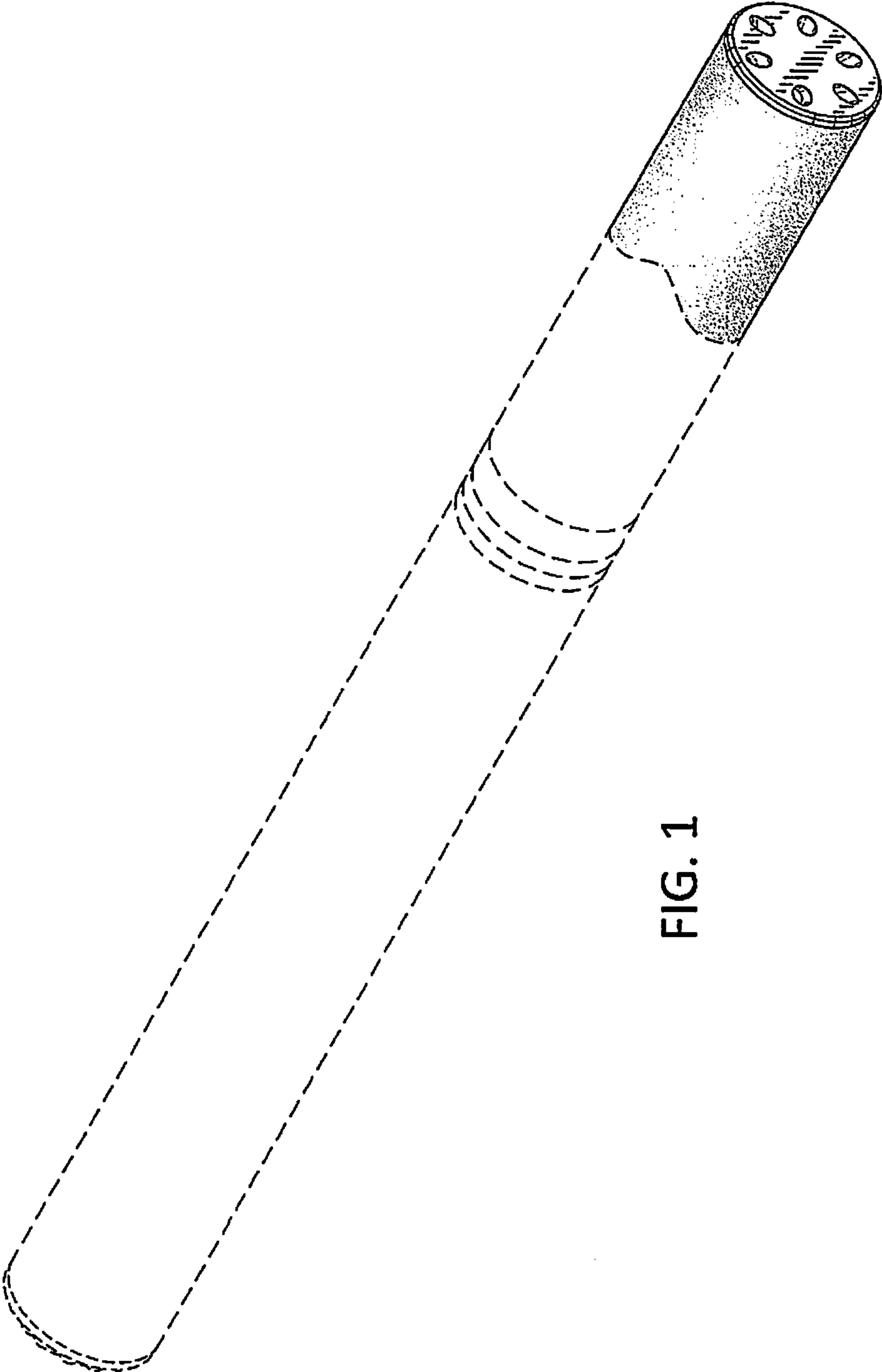


FIG. 1

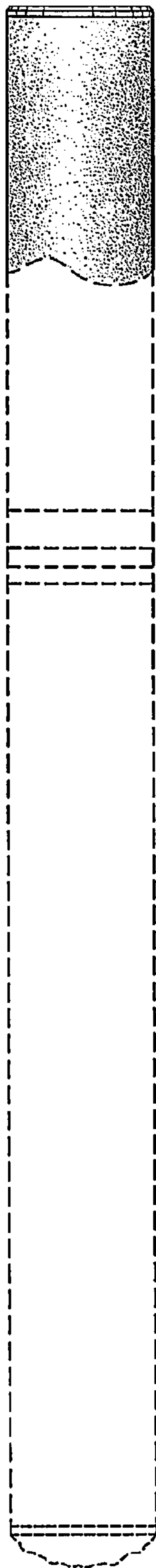


FIG. 2

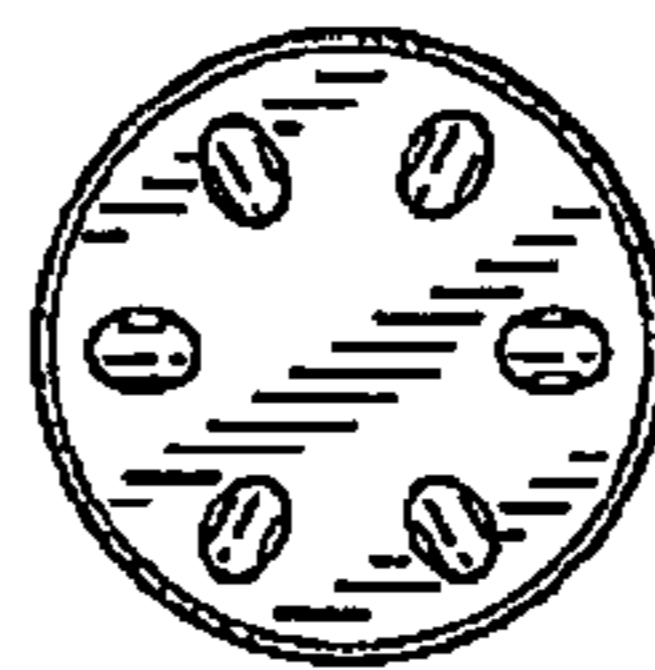


FIG. 3