



US00D738563S

(12) **United States Design Patent**
Martins et al.

(10) **Patent No.:** **US D738,563 S**

(45) **Date of Patent:** **** Sep. 8, 2015**

(54) **LIGHT FIXTURE**

(71) Applicant: **GE LIGHTING SOLUTIONS, LLC**,
East Cleveland, OH (US)

(72) Inventors: **Jeremias Anthony Martins**, Twinsburg,
OH (US); **Timothy Alan Taubert**,
Willoughby, OH (US); **Simon Lee
Fisher**, Cambridgeshire (GB); **Matthew
James Free**, Cambridgeshire (GB)

(73) Assignee: **GE LIGHTING SOLUTIONS, LLC**,
East Cleveland, OH (US)

(**) Term: **14 Years**

(21) Appl. No.: **29/485,157**

(22) Filed: **Mar. 17, 2014**

(51) **LOC (10) Cl.** **26-99**

(52) **U.S. Cl.**
USPC **D26/118**

(58) **Field of Classification Search**
USPC D26/9, 10, 12, 13, 15, 16, 51, 61, 72,
D26/76, 80, 81, 85, 86, 88, 90, 113, 118,
D26/119, 120, 122, 128, 129, 138, 143, 144
See application file for complete search history.

(56) **References Cited**

U.S. PATENT DOCUMENTS

D123,768	S	*	12/1940	Scribner	D26/78
D130,955	S	*	12/1941	Smally	D26/122
D134,481	S	*	12/1942	Borkland	D26/122
D156,014	S	*	11/1949	Lazerson	D26/78
D180,611	S	*	7/1957	McPhail	D26/122
D201,380	S	*	6/1965	Schwenkler	D26/122
D262,659	S	*	1/1982	Latta et al.	D26/35
5,038,262	A	*	8/1991	Mechtler	362/404
D321,407	S	*	11/1991	Heidmann	D26/72
5,311,414	A	*	5/1994	Branham, Sr.	362/249.11
D364,478	S	*	11/1995	Pesau	D26/76
D397,481	S	*	8/1998	Schafer	D26/85

D405,906	S	*	2/1999	Herst et al.	D26/76
6,305,816	B1	*	10/2001	Corcorran et al.	362/147
D452,030	S	*	12/2001	Collver	D26/76

(Continued)

OTHER PUBLICATIONS

Pizza Hut Red-Roof Truck, image post date 1989, site visited Nov. 5,
2014, (online), <<http://uncletnuc.com/2014/04/29/unsolved-mysteries-the-pizza-hut-red-roof-delivery-truck/>>.*

(Continued)

Primary Examiner — Kevin Rudzinski

Assistant Examiner — Sean D Lough

(74) *Attorney, Agent, or Firm* — GE Global Patent
Operation; Peter T. DiMauro

(57) **CLAIM**

We claim the ornamental design for a light fixture, as shown
and described.

DESCRIPTION

FIG. 1 is a top perspective view of a light fixture in accordance
with the present design;

FIG. 2 is a bottom perspective view thereof;

FIG. 3 is a side plan view thereof;

FIG. 4 is a cross-sectional plan view taken along line 4-4 of
FIG. 3;

FIG. 5 is a side plan view thereof;

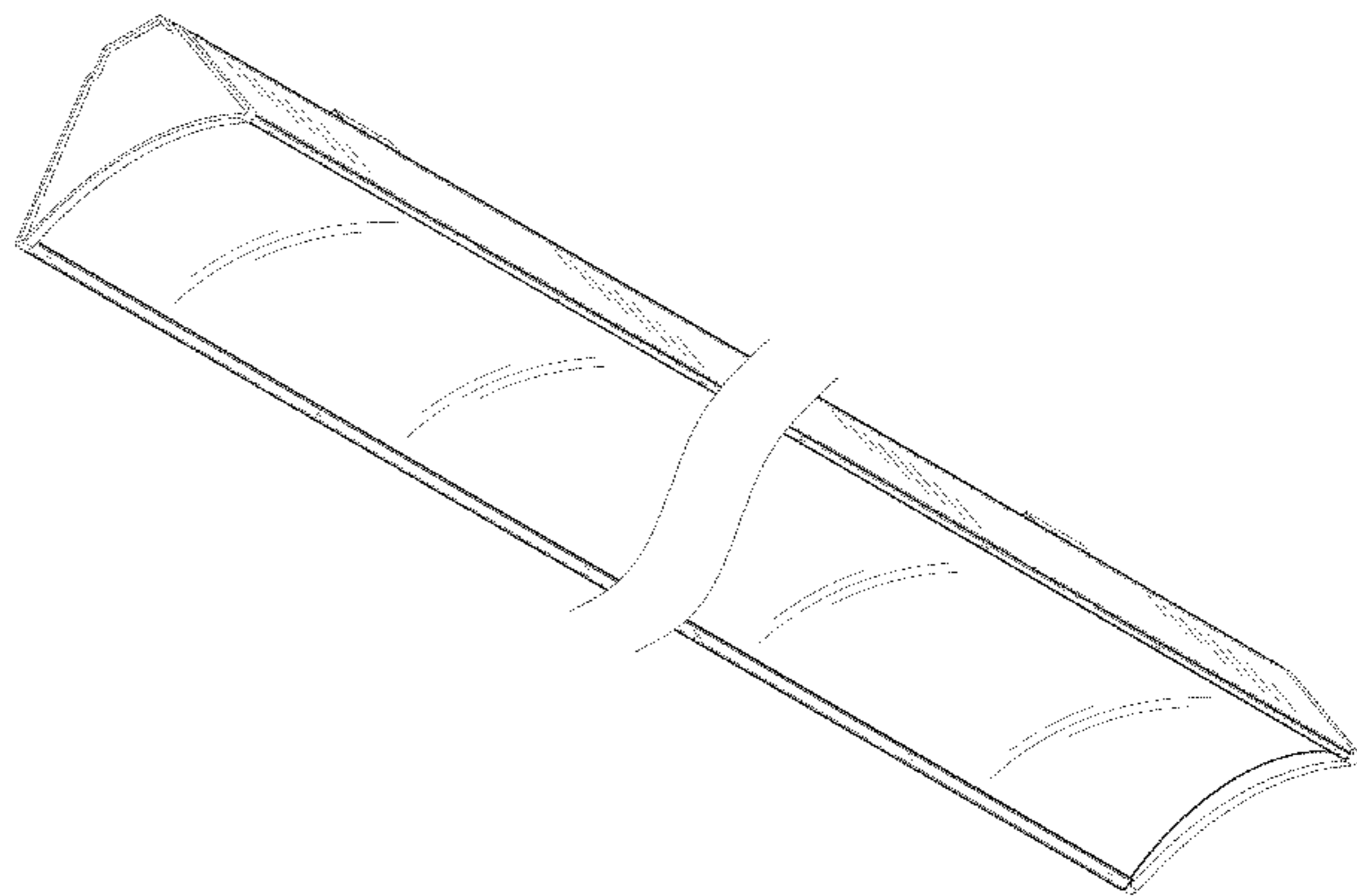
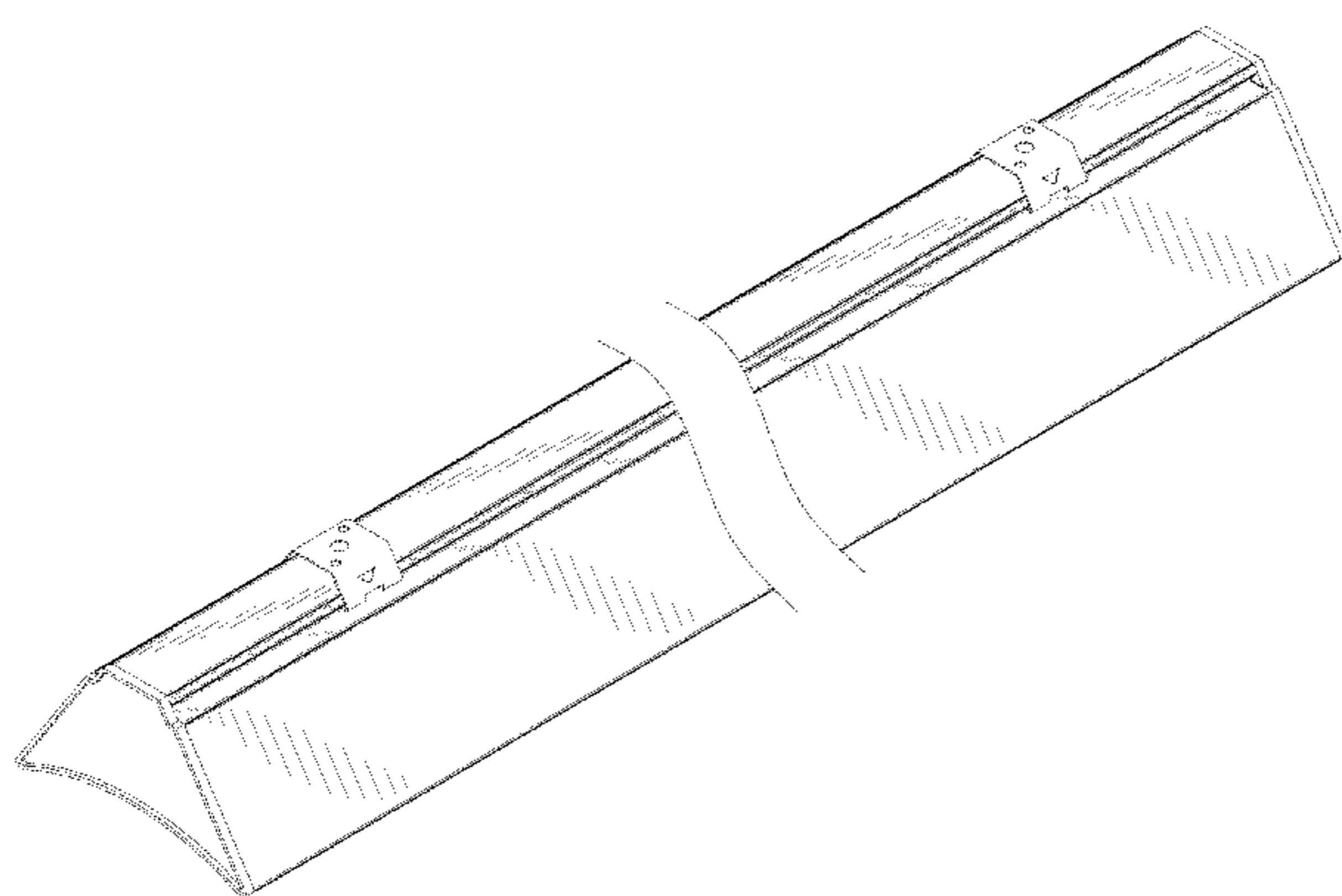
FIG. 6 is a top plan view thereof; and,

FIG. 7 is a bottom plan view thereof.

The broken lines (where present) in all Figs. illustrate por-
tions of the light fixture that form no part of the claimed
design. Any shading forms no part of the claimed design and
is provided to illustrate contour only and is not an indication
of texture, gloss, and the like.

The light fixture is shown with a break in the middle of the
design. The portions of the design not shown form no part of
the claimed design.

1 Claim, 4 Drawing Sheets



(56)

References Cited

U.S. PATENT DOCUMENTS

D459,825 S * 7/2002 Field D26/80
 D466,244 S * 11/2002 Lewis et al. D26/76
 D483,510 S * 12/2003 Fritze et al. D26/75
 6,817,731 B2 * 11/2004 Tufte 362/223
 7,131,753 B1 * 11/2006 Edwards, Jr. 362/405
 D544,139 S * 6/2007 Hargreaves D26/118
 D544,626 S * 6/2007 Hargreaves D26/76
 D579,142 S * 10/2008 Lee D26/113
 D592,793 S * 5/2009 Chandler D26/88
 D626,270 S * 10/2010 Waldmann D26/85
 D632,419 S * 2/2011 Ng et al. D26/78
 D633,640 S * 3/2011 Wauters D26/85
 D634,470 S * 3/2011 Hsieh D26/118
 7,972,044 B2 * 7/2011 Burkhauser 362/373
 D643,148 S * 8/2011 Jabra et al. D26/120
 D644,780 S * 9/2011 Jabra et al. D26/120
 D647,241 S * 10/2011 Takahashi et al. D26/76
 D649,685 S * 11/2011 Trzesniowski D26/138
 D663,882 S * 7/2012 Muraishi et al. D26/76
 8,313,216 B2 * 11/2012 Lai 362/249.02
 D674,964 S * 1/2013 Bailey et al. D26/118
 8,348,481 B2 * 1/2013 Chang 362/404
 D693,047 S * 11/2013 Haumann D26/89
 D695,949 S * 12/2013 Gordin et al. D26/118
 D701,990 S * 4/2014 Rodgers et al. D26/76
 D704,374 S * 5/2014 Notaney et al. D26/118

D706,485 S * 6/2014 Waldmann D26/138
 D710,535 S * 8/2014 Edwards et al. D26/122
 2004/0184264 A1 * 9/2004 Elam et al. 362/148
 2005/0141219 A1 * 6/2005 Skegin 362/240
 2008/0239713 A1 * 10/2008 Davis et al. 362/183
 2009/0168395 A1 * 7/2009 Mrakovich et al. 362/84
 2009/0316414 A1 * 12/2009 Yang et al. 362/296.01
 2009/0323335 A1 * 12/2009 Yang et al. 362/247
 2011/0310599 A1 * 12/2011 Eberhardt 362/217.06
 2012/0069582 A1 * 3/2012 Chang 362/371
 2014/0071669 A1 * 3/2014 McCarthy et al. 362/220

OTHER PUBLICATIONS

CL00560, image post date Feb. 12, 2008, site visited Nov. 21, 2014, (online), <<http://www.elightbulbs.com/General-00560-JT822-232U6G-FSA12-EB8LHUNV-2L-2X2-TROFFER-U-BENT-Industrial-Commercial-Light-Fixture>>.*
 T5HO 2x54W office suspended down fixtures, image post date Feb. 1, 2013, site visited Oct. 10, 2014, (online), <<http://www.brandonlighting.lightstrade.com/view/109845/T5HO-2x54W-office-suspended-down-fixtures.html>>.*
 Wayback Machine date for T5HO, image post date Oct. 10, 2014, site visited Oct. 10, 2014, (online), <http://web.archive.org/web/*/http://www.brandonlighting.lightstrade.com/view/109845/T5HO-2x54W-office-suspended-down-fixtures.html>.*

* cited by examiner

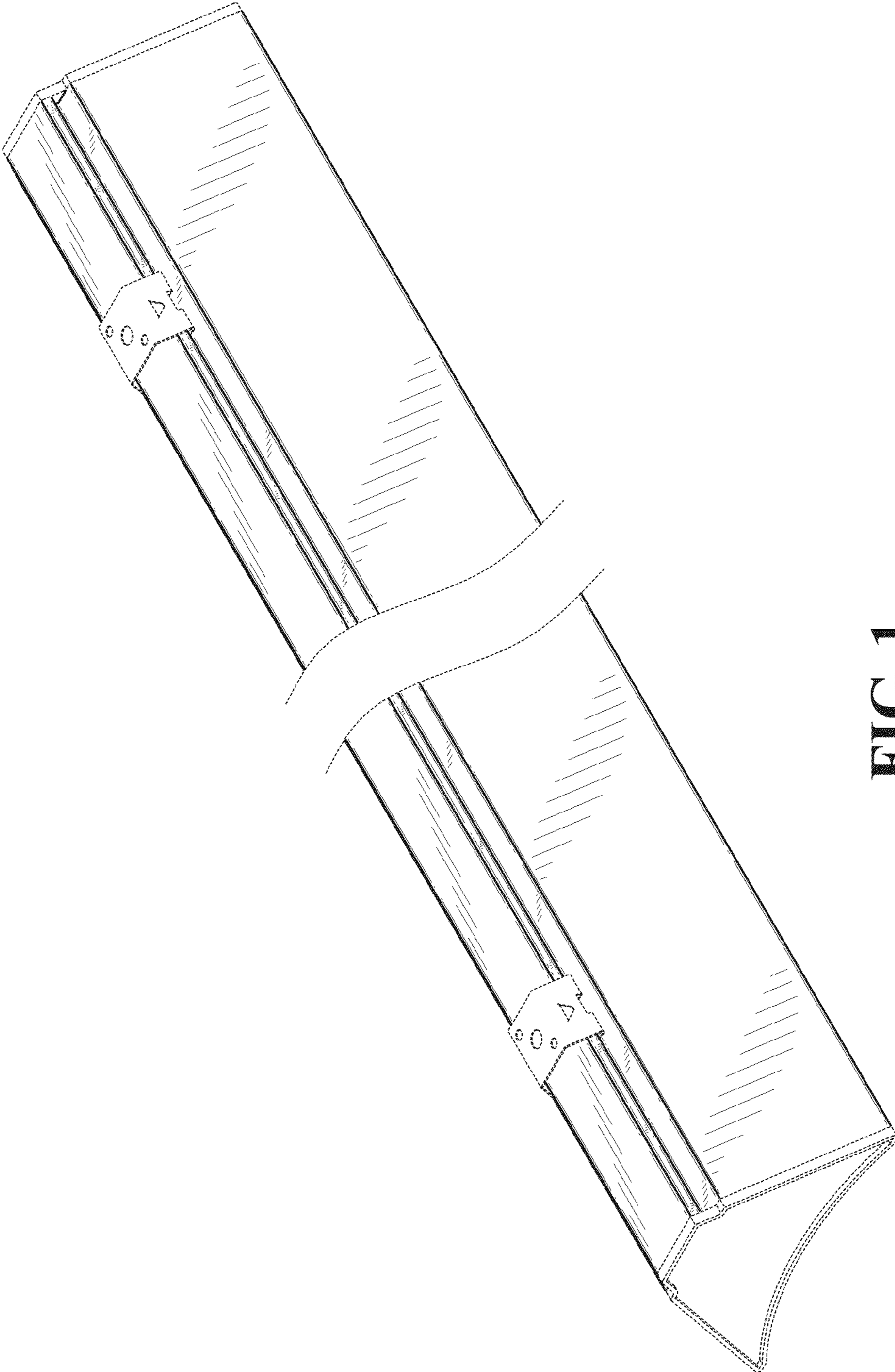


FIG. 1

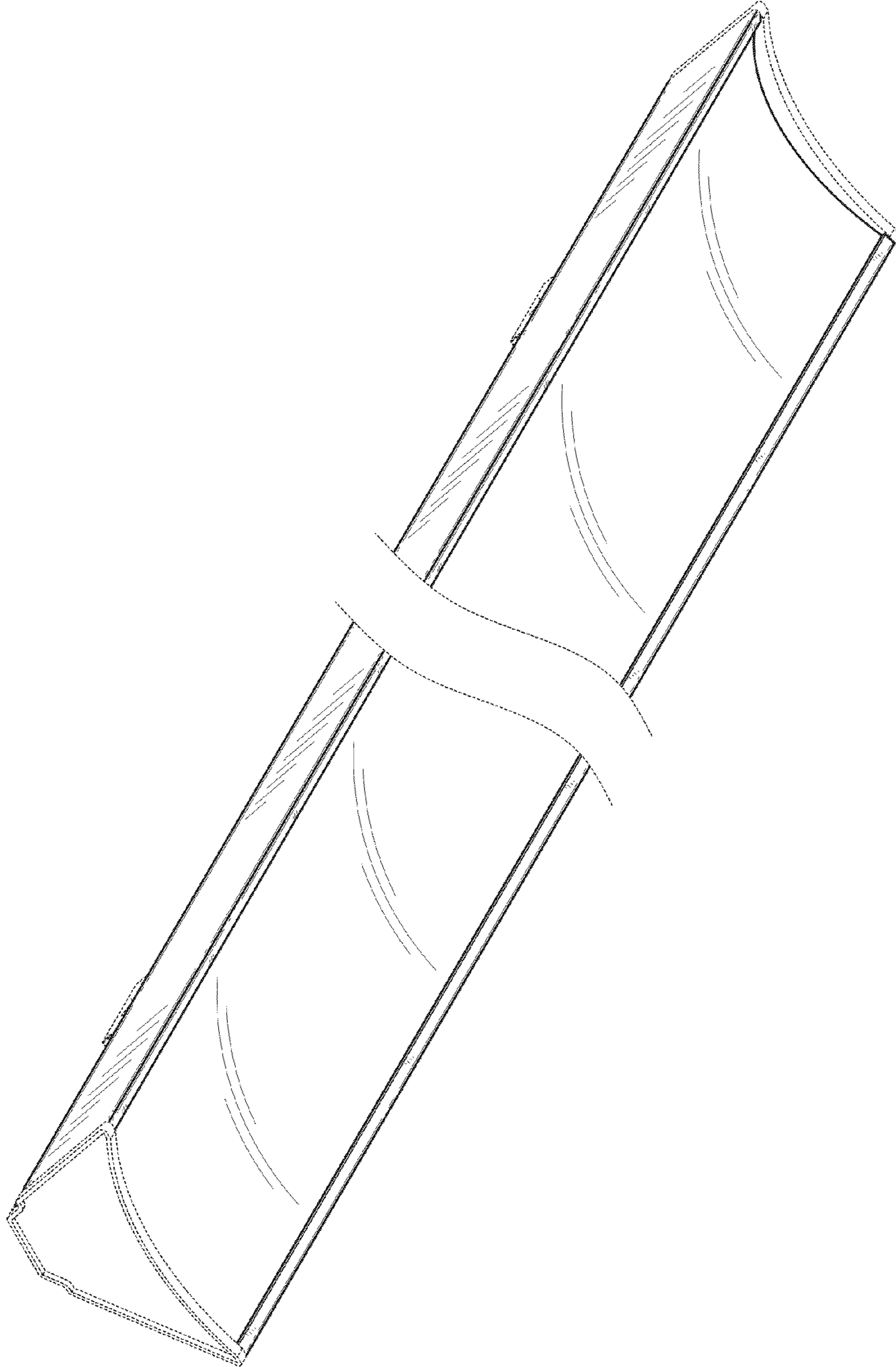


FIG. 2



FIG. 3

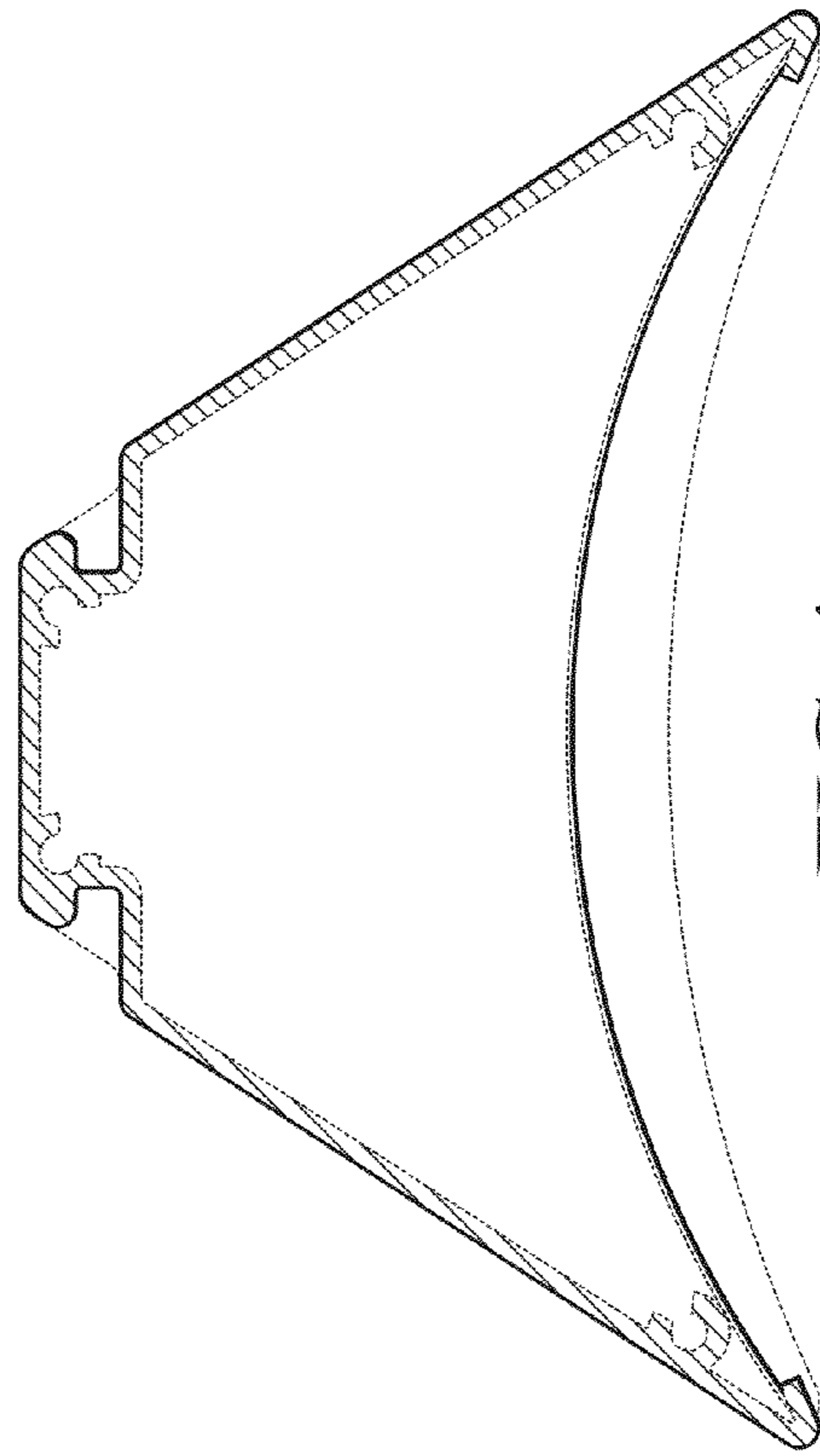


FIG. 4

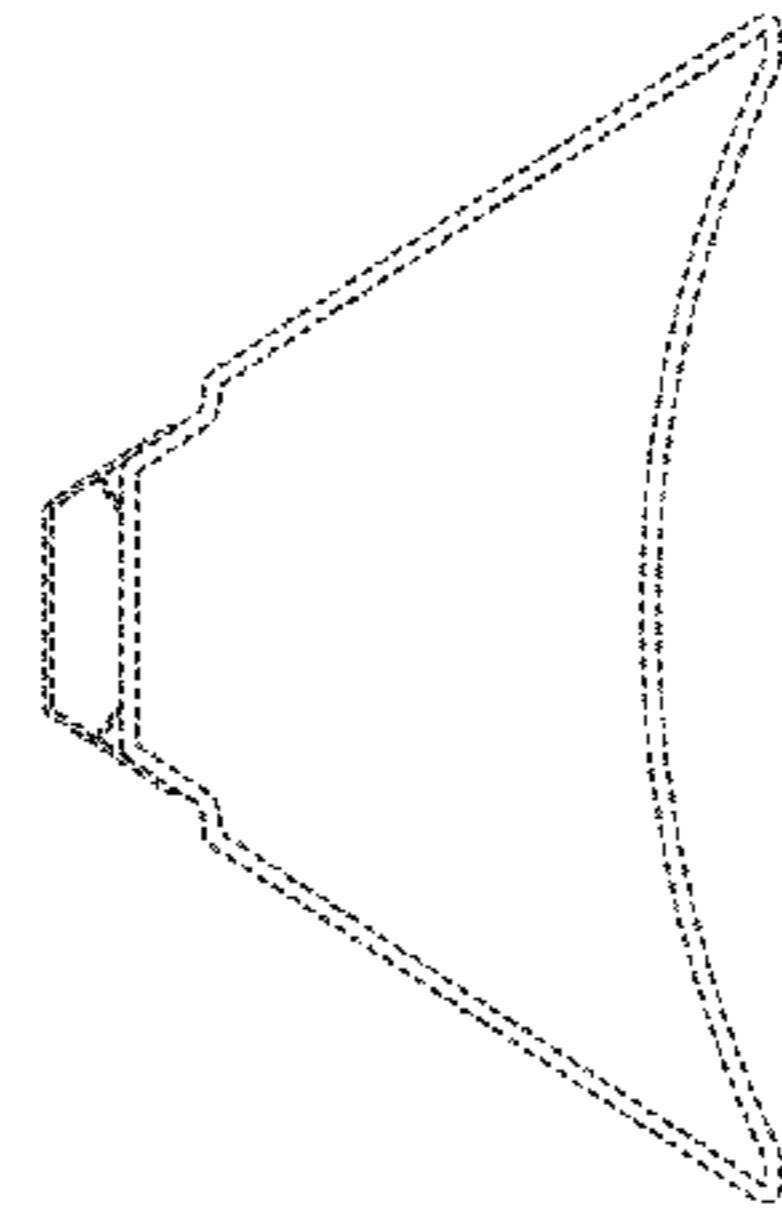


FIG. 5

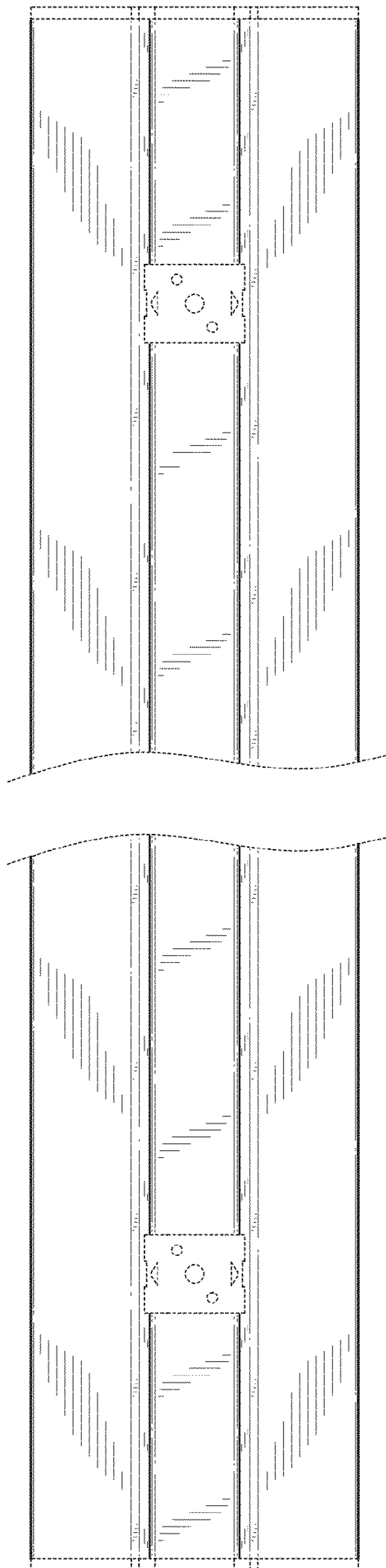


FIG. 6

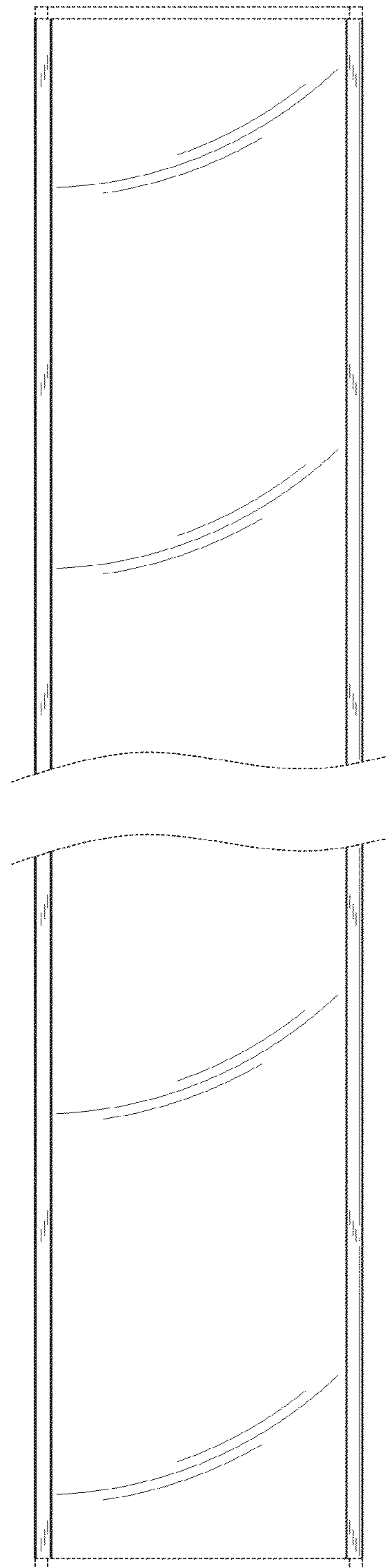


FIG. 7