

US00D738558S

(12) **United States Design Patent**
Silver

(10) **Patent No.:** **US D738,558 S**

(45) **Date of Patent:** **** Sep. 8, 2015**

(54) **LUMINAIRE**

(71) Applicant: **Beta-Calco Inc.**, Toronto (CA)

(72) Inventor: **Remy Silver**, Toronto (CA)

(73) Assignee: **Beta-Calco, Inc.**, Toronto (CA)

(**) Term: **14 Years**

(21) Appl. No.: **29/480,104**

(22) Filed: **Jan. 23, 2014**

(30) **Foreign Application Priority Data**

Sep. 24, 2013 (CA) 153208

(51) **LOC (10) Cl.** **26-03**

(52) **U.S. Cl.**
USPC **D26/88; D26/90**

(58) **Field of Classification Search**
USPC D26/80-92, 118; 362/147, 404-408
CPC F21W 2121/00; F21S 8/00; F21S 4/00
See application file for complete search history.

(56) **References Cited**

U.S. PATENT DOCUMENTS

D51,252 S *	9/1917	Braunstein	D26/88
D51,983 S *	4/1918	Guth	D26/88
D72,909 S *	6/1927	Moore	D26/88
D134,355 S *	11/1942	Rolph	D26/88
D154,302 S *	6/1949	Palmquist	D26/88
D212,776 S *	11/1968	Renaud	D26/88
D343,252 S *	1/1994	Belisle	D26/88
D417,747 S *	12/1999	Pahl	D26/118
D574,546 S *	8/2008	Morrison	D26/88

* cited by examiner

Primary Examiner — Clare E Heflin

(74) *Attorney, Agent, or Firm* — Renner, Otto, Boisselle & Sklar, LLP

(57) **CLAIM**

The ornamental design for a luminaire, as shown and described.

DESCRIPTION

FIG. 1 is a perspective view of the luminaire showing the design;

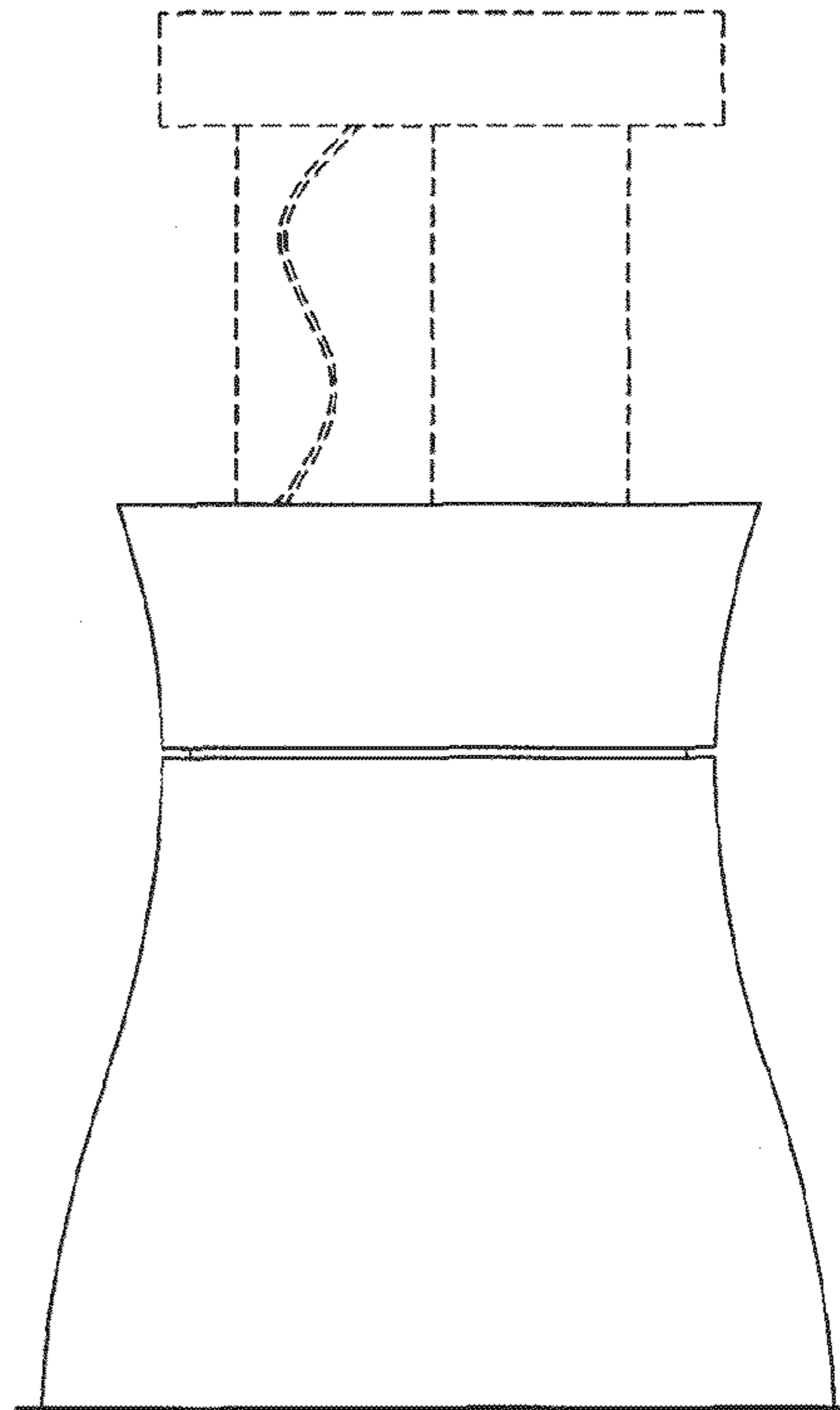
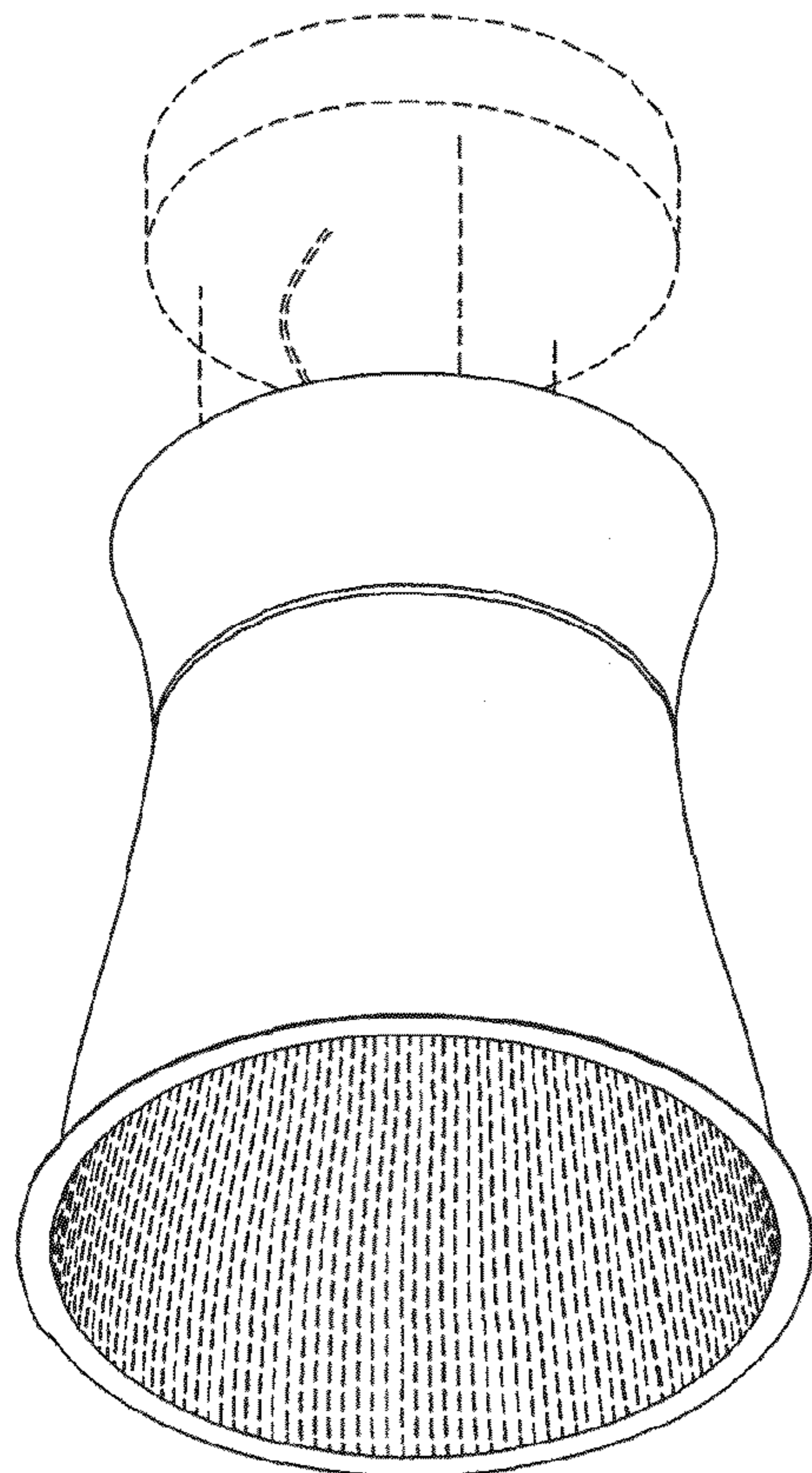
FIG. 2 is a front view of the luminaire shown in FIG. 1;

FIG. 3 is a top view of the luminaire shown in FIG. 1; and,

FIG. 4 is a bottom view of the luminaire shown in FIG. 1.

The broken lines shown on the drawings depict portions of the luminaire that form no part of the claimed design.

1 Claim, 1 Drawing Sheet



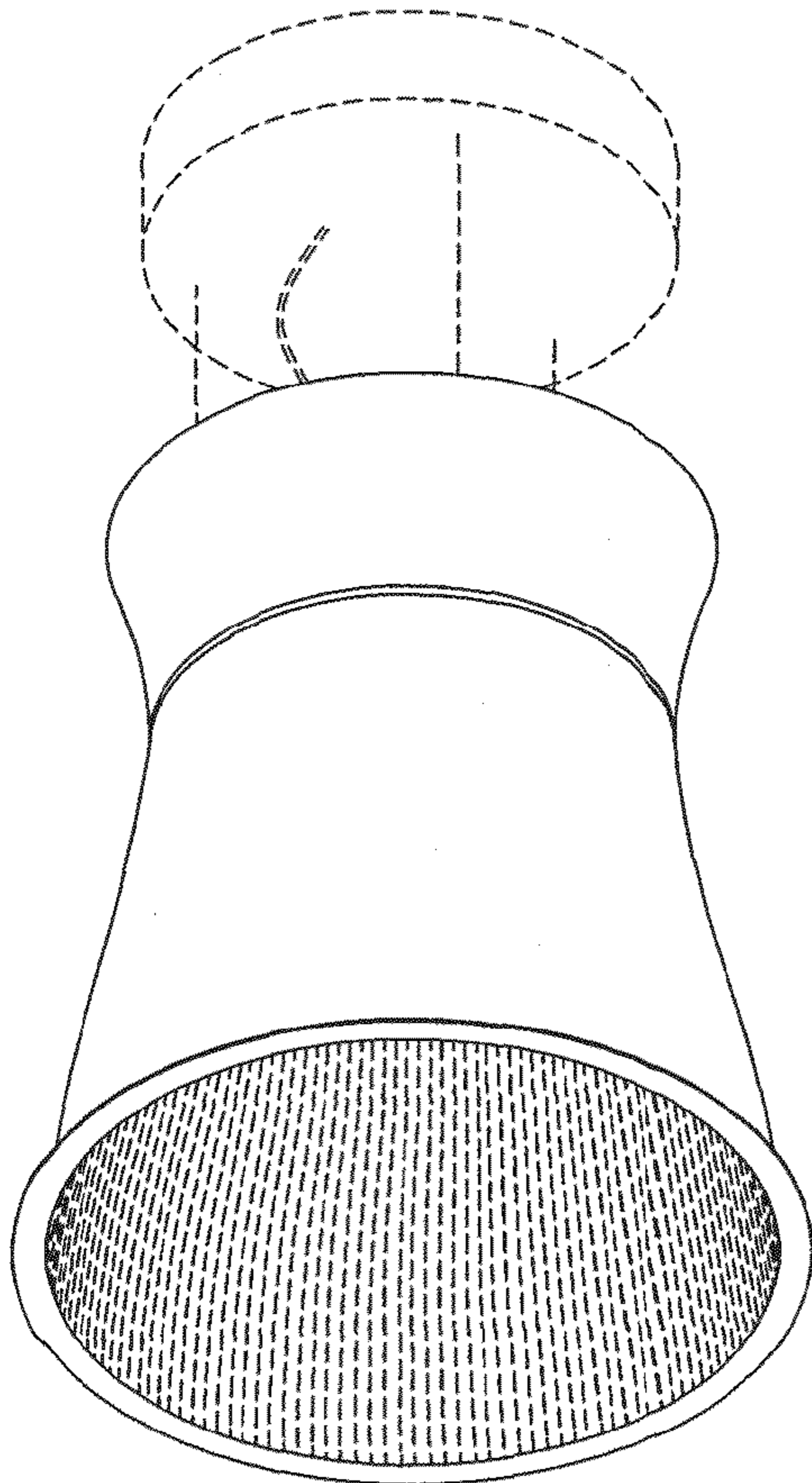


FIG. 1

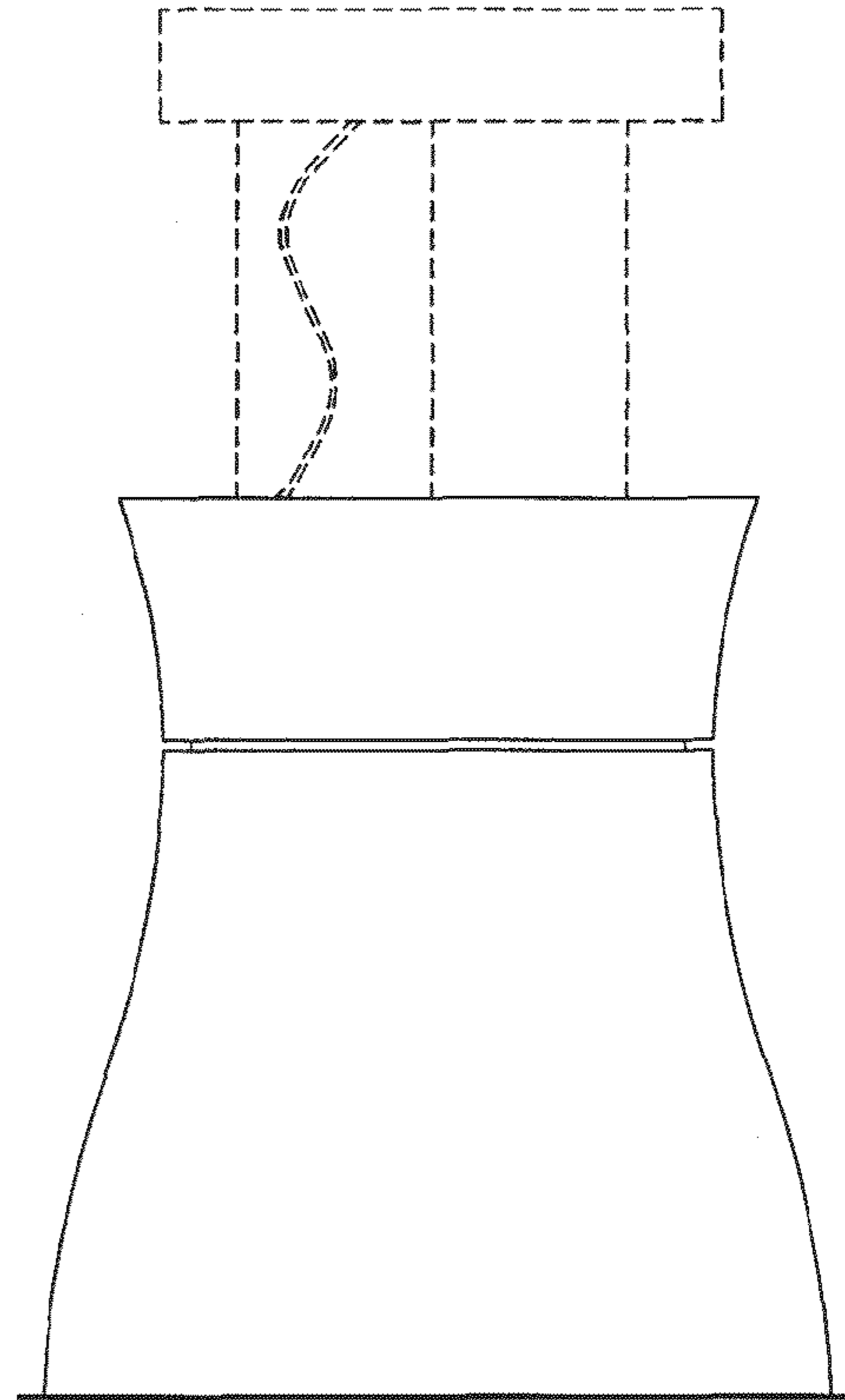


FIG. 2

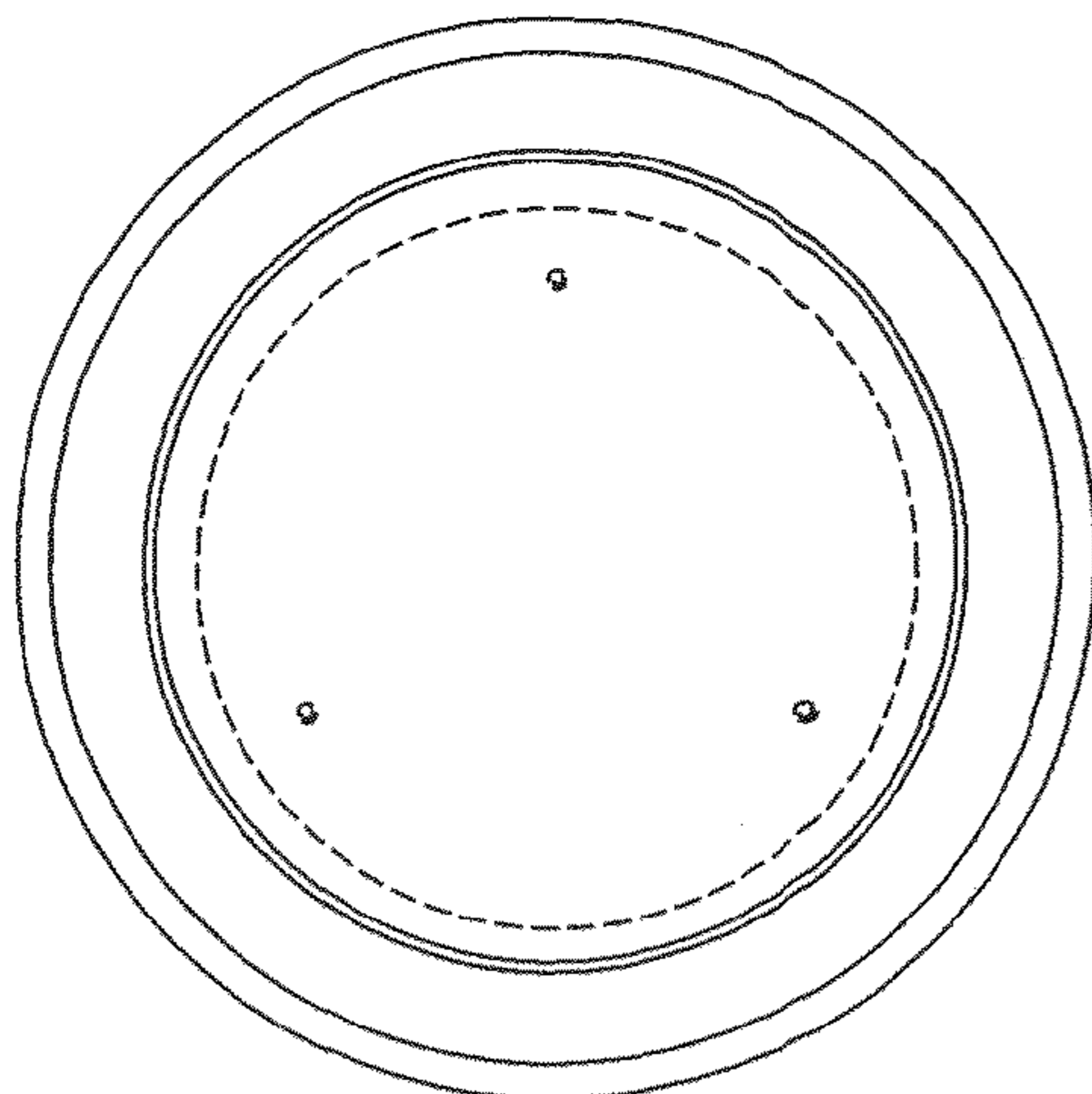


FIG. 3

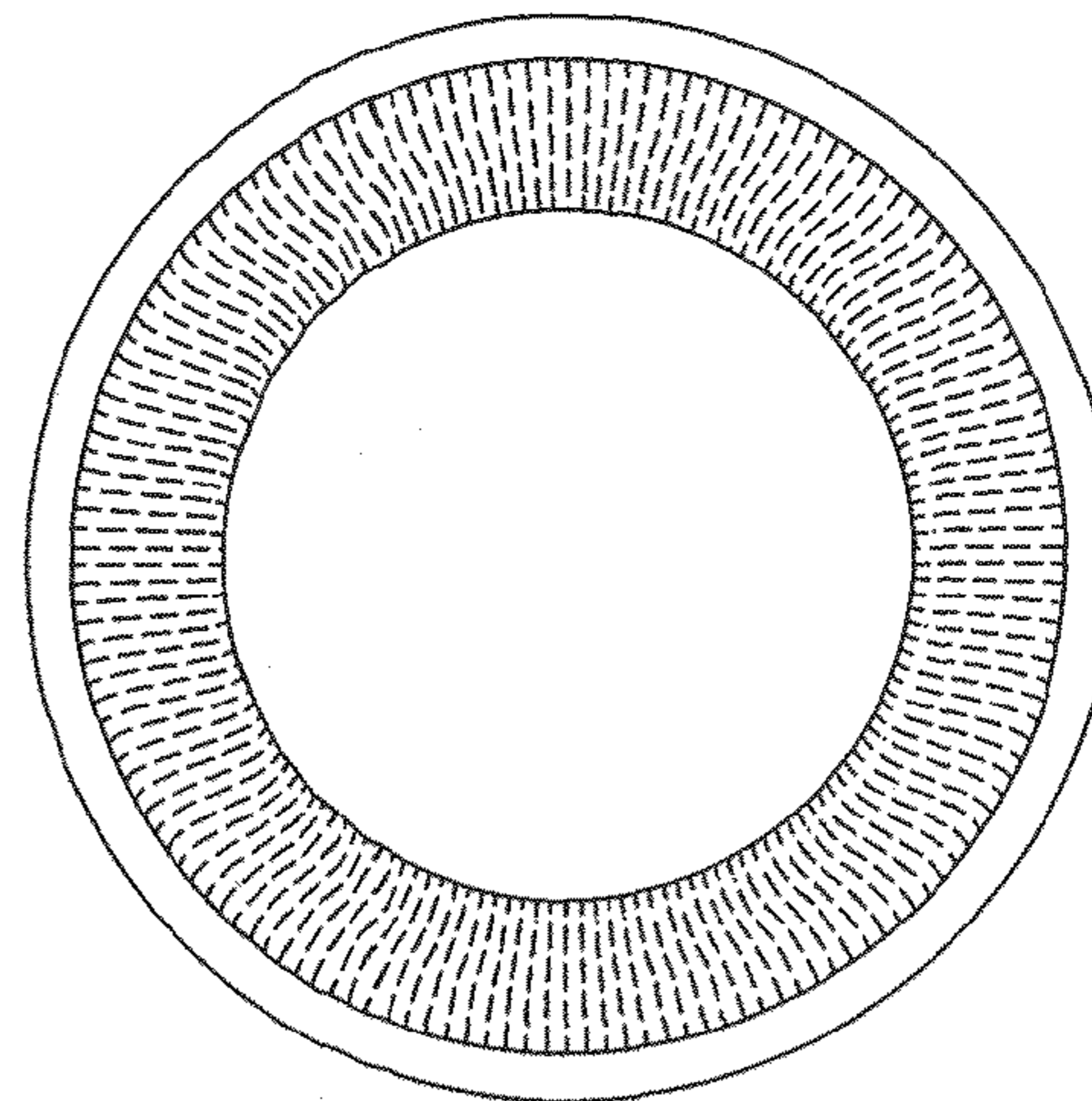


FIG. 4