



US00D738556S

(12) **United States Design Patent**  
**Macura**

(10) **Patent No.:** **US D738,556 S**

(45) **Date of Patent:** **\*\* Sep. 8, 2015**

(54) **LUMINAIRE FOR ROAD LIGHTING**

(71) Applicant: **KONINKLIJKE PHILIPS N.V.**,  
Eindhoven (NL)

(72) Inventor: **Marko Macura**, Eindhoven (NL)

(73) Assignee: **KONINKLIJKE PHILIPS N.V.**,  
Eindhoven (NL)

(\*\*) Term: **14 Years**

(21) Appl. No.: **29/491,308**

(22) Filed: **May 20, 2014**

(30) **Foreign Application Priority Data**

Nov. 22, 2013 (EM) ..... 002350629-0001

(51) **LOC (10) Cl.** ..... **26-05**

(52) **U.S. Cl.**  
USPC ..... **D26/67**

(58) **Field of Classification Search**

USPC ..... D26/2, 67, 68, 70  
CPC ..... F21S 8/085; F21S 8/086; F21S 8/088;  
F21V 21/14

See application file for complete search history.

(56) **References Cited**

**U.S. PATENT DOCUMENTS**

D169,408 S \* 4/1953 Anthony ..... D26/68  
D169,798 S \* 6/1953 Anthony ..... D26/67

D203,749 S \* 2/1966 Peek, Jr. .... D26/2  
3,482,087 A \* 12/1969 Kelley, Jr. .... 362/311.06  
D218,985 S \* 10/1970 Anderson, Jr. .... D26/67  
D260,802 S \* 9/1981 Hall ..... D22/120  
D341,221 S \* 11/1993 Elazari ..... D26/68  
D348,944 S \* 7/1994 Shalvi ..... D26/67  
6,227,683 B1 \* 5/2001 Tukia ..... 362/303  
D551,791 S \* 9/2007 Sanoner ..... D26/68  
D595,434 S \* 6/2009 Huang et al. .... D26/2  
D690,455 S \* 9/2013 Hagenauer ..... D26/93  
D698,063 S \* 1/2014 Macura ..... D26/68  
8,684,564 B2 \* 4/2014 Shen et al. .... 362/294  
8,956,012 B2 \* 2/2015 Park ..... 362/249.02

\* cited by examiner

*Primary Examiner* — Clare E Heflin

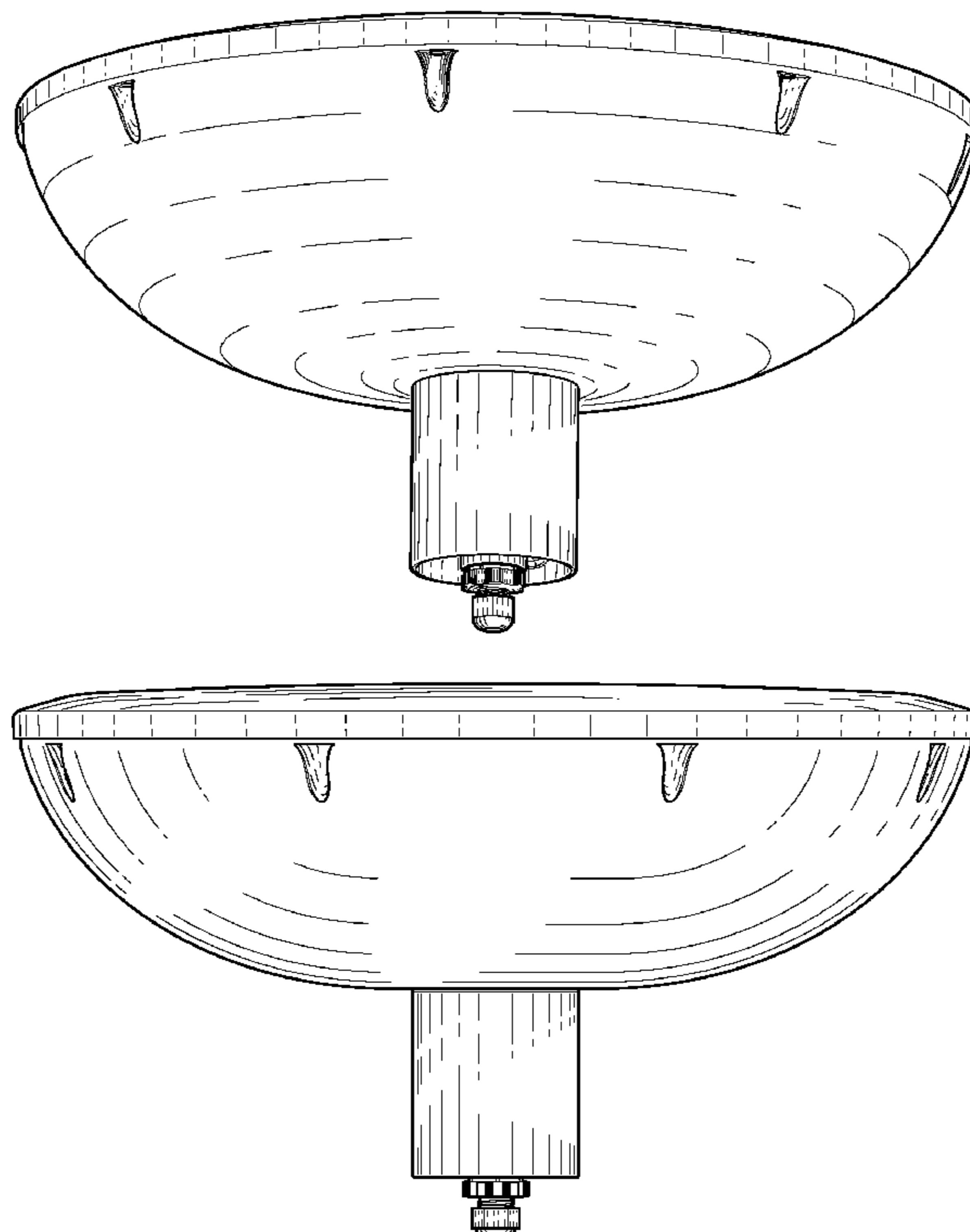
(57) **CLAIM**

The ornamental design for a luminaire for road lighting, as shown and described.

**DESCRIPTION**

FIG. 1 is a perspective view showing my design;  
FIG. 2 is a front elevational view thereof;  
FIG. 3 is a rear elevational view thereof;  
FIG. 4 is a right side elevational view thereof;  
FIG. 5 is a left side elevational view thereof;  
FIG. 6 is a top plan view thereof; and,  
FIG. 7 is a bottom plan view thereof.  
The broken lines shown on the drawings depict portions of the luminaire for road lighting that form no part of the claimed design.

**1 Claim, 5 Drawing Sheets**



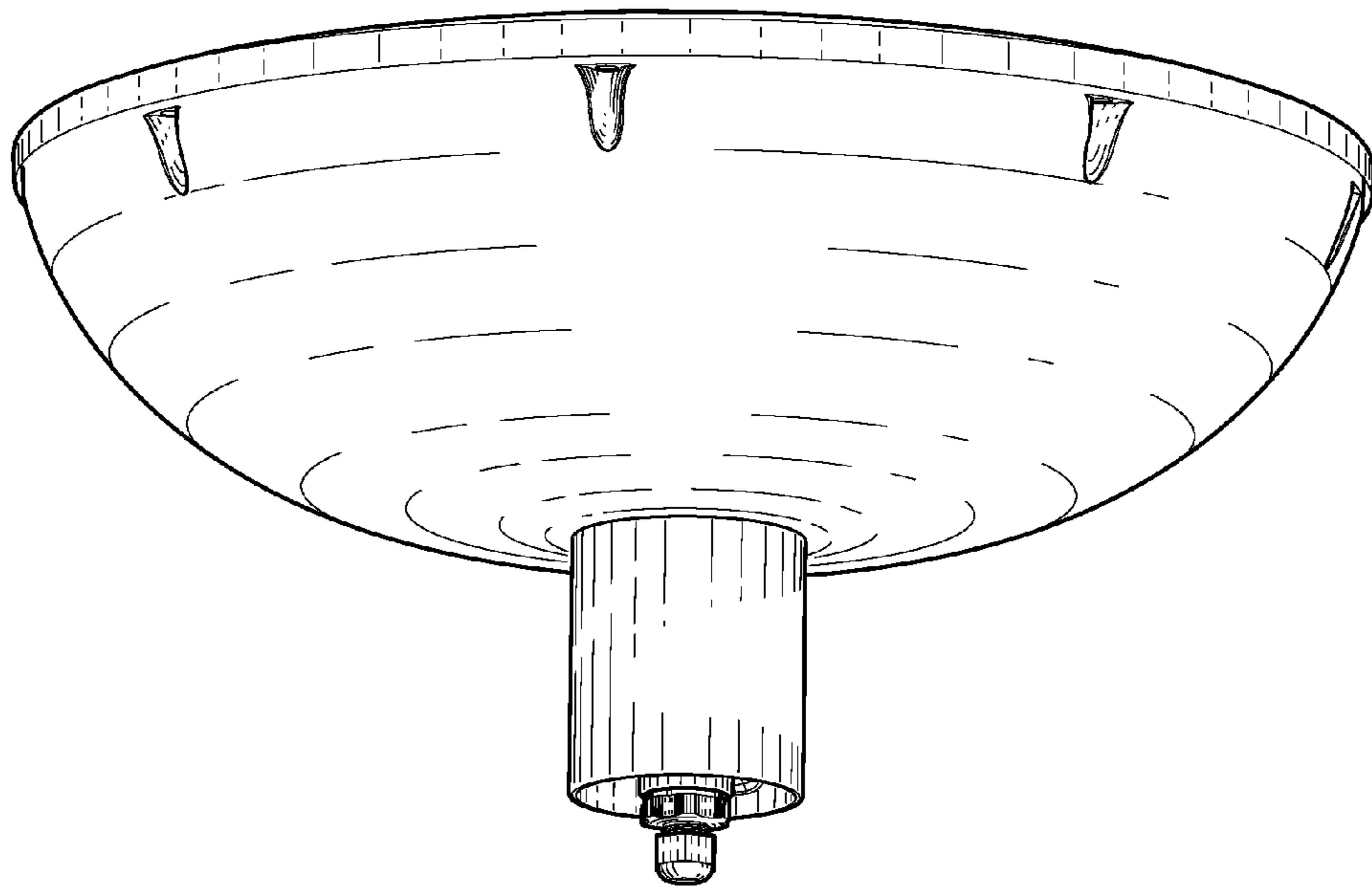


FIG. 1

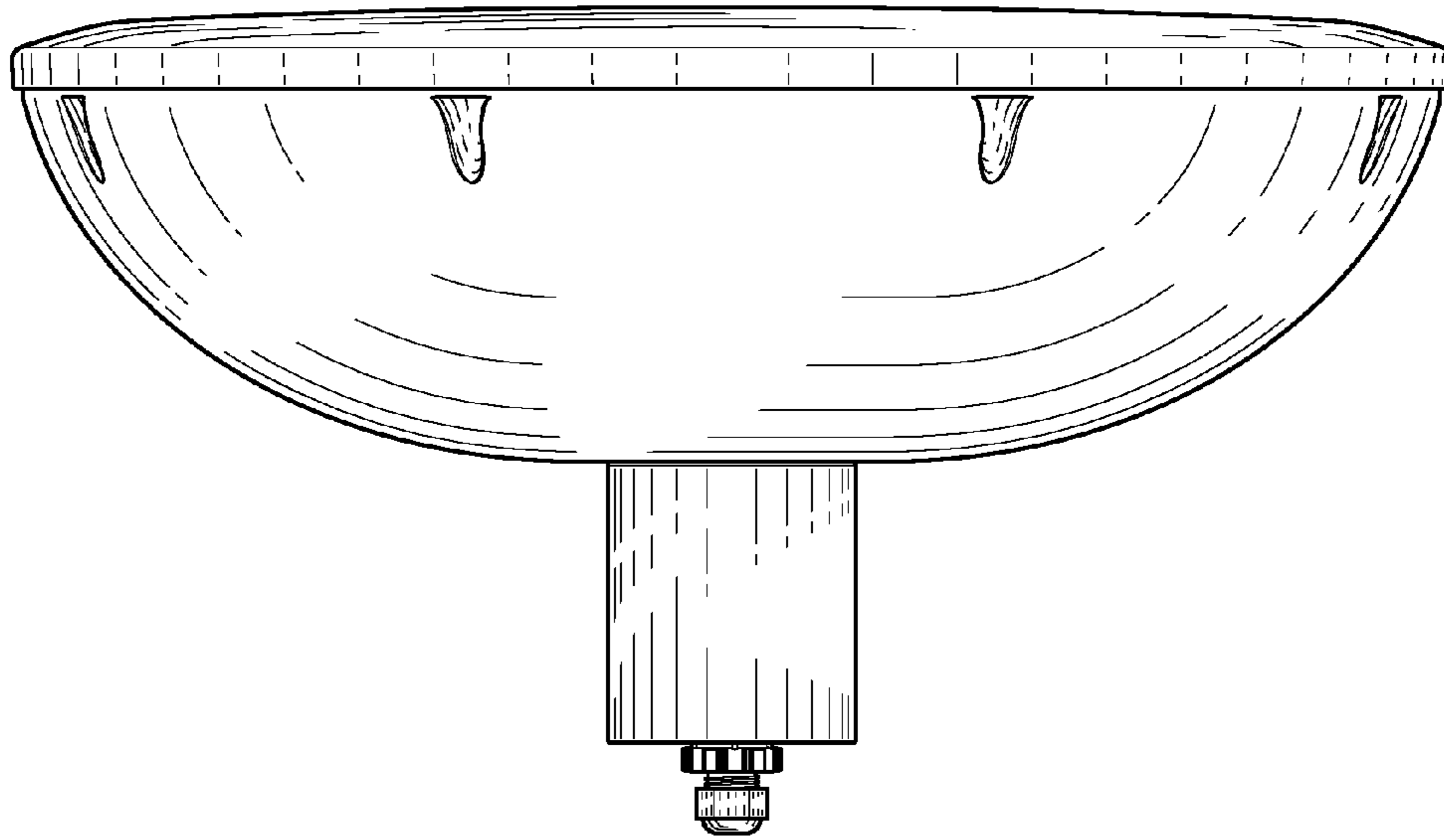


FIG. 2

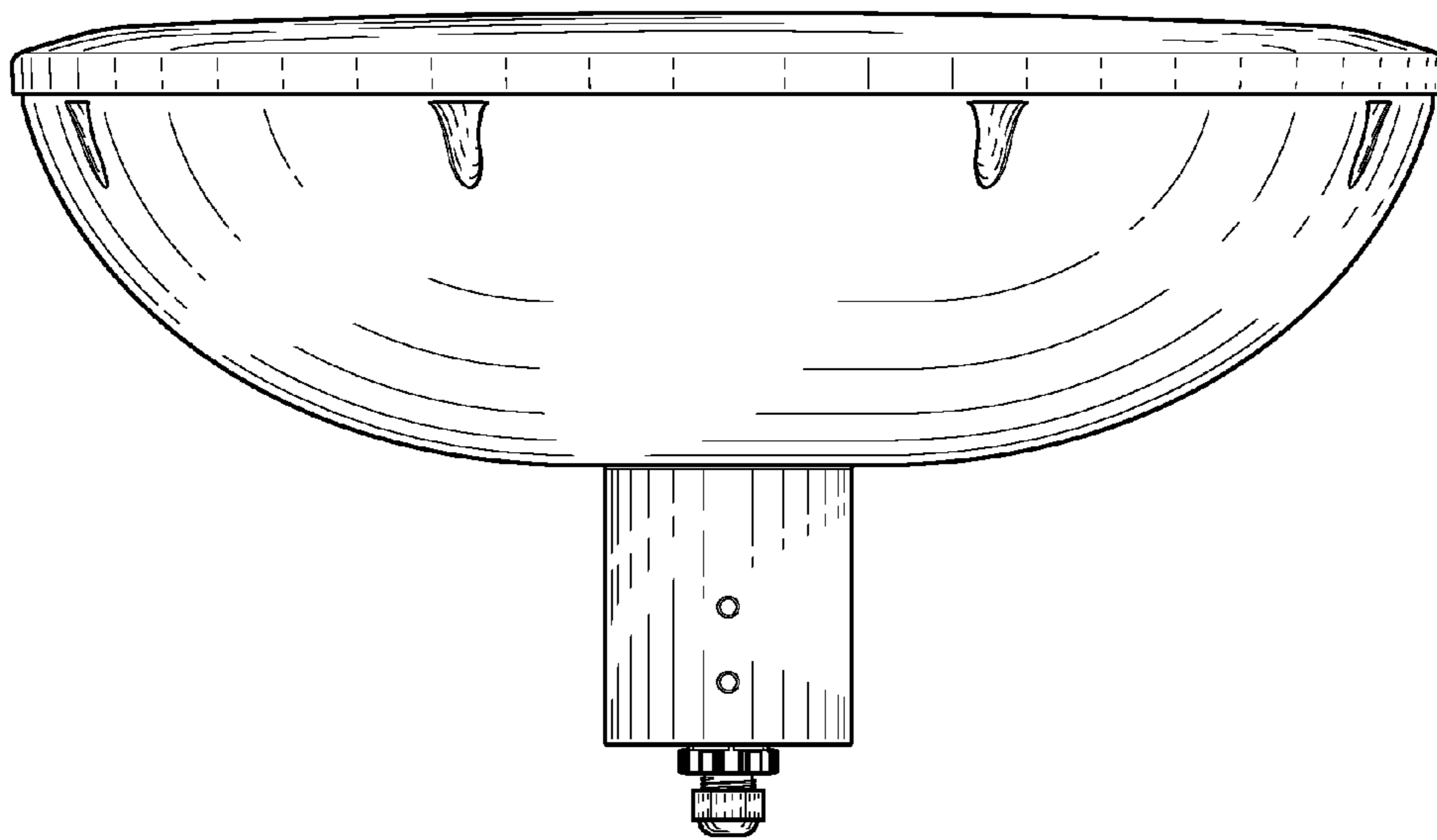


FIG. 3

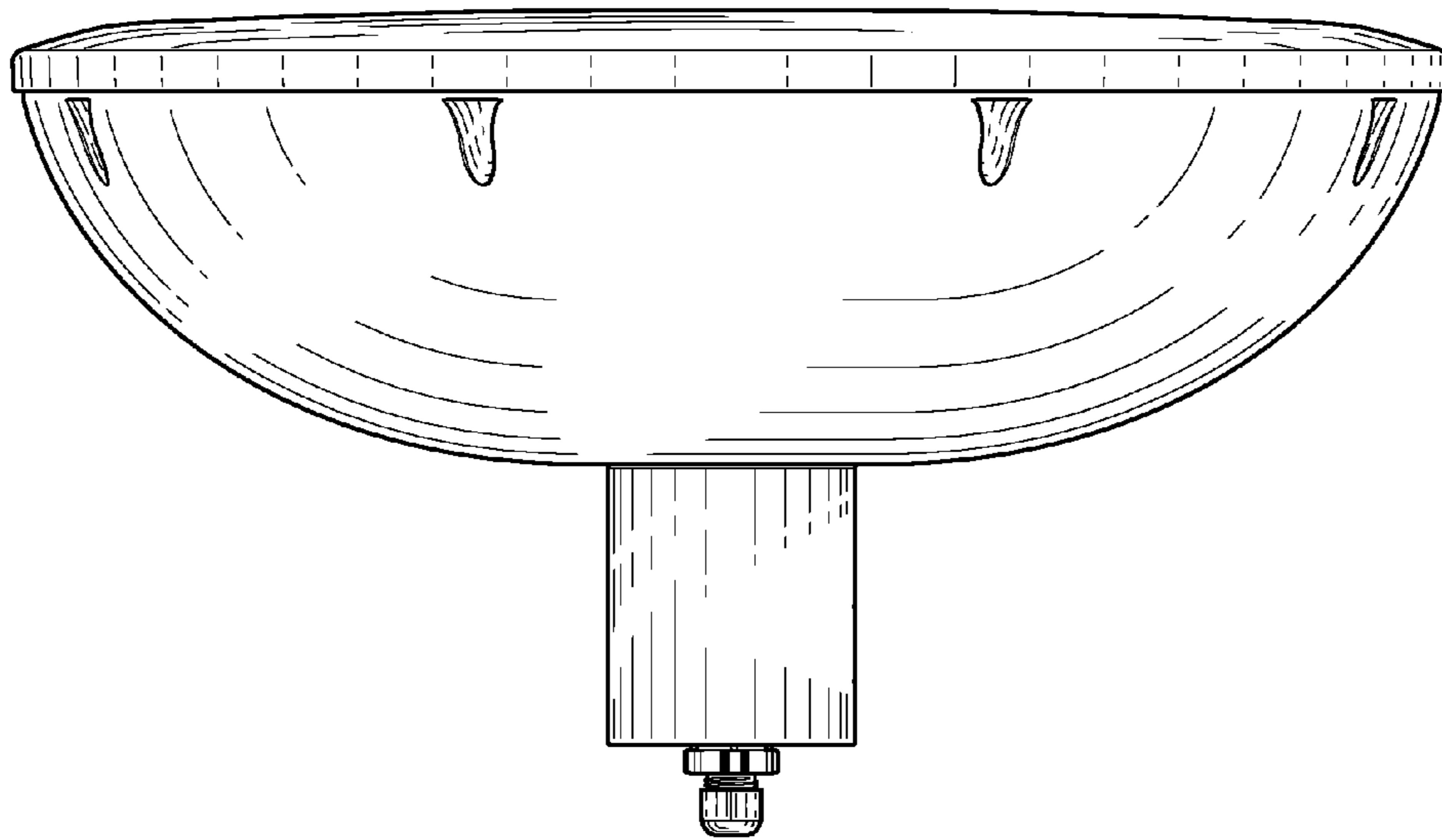


FIG. 4

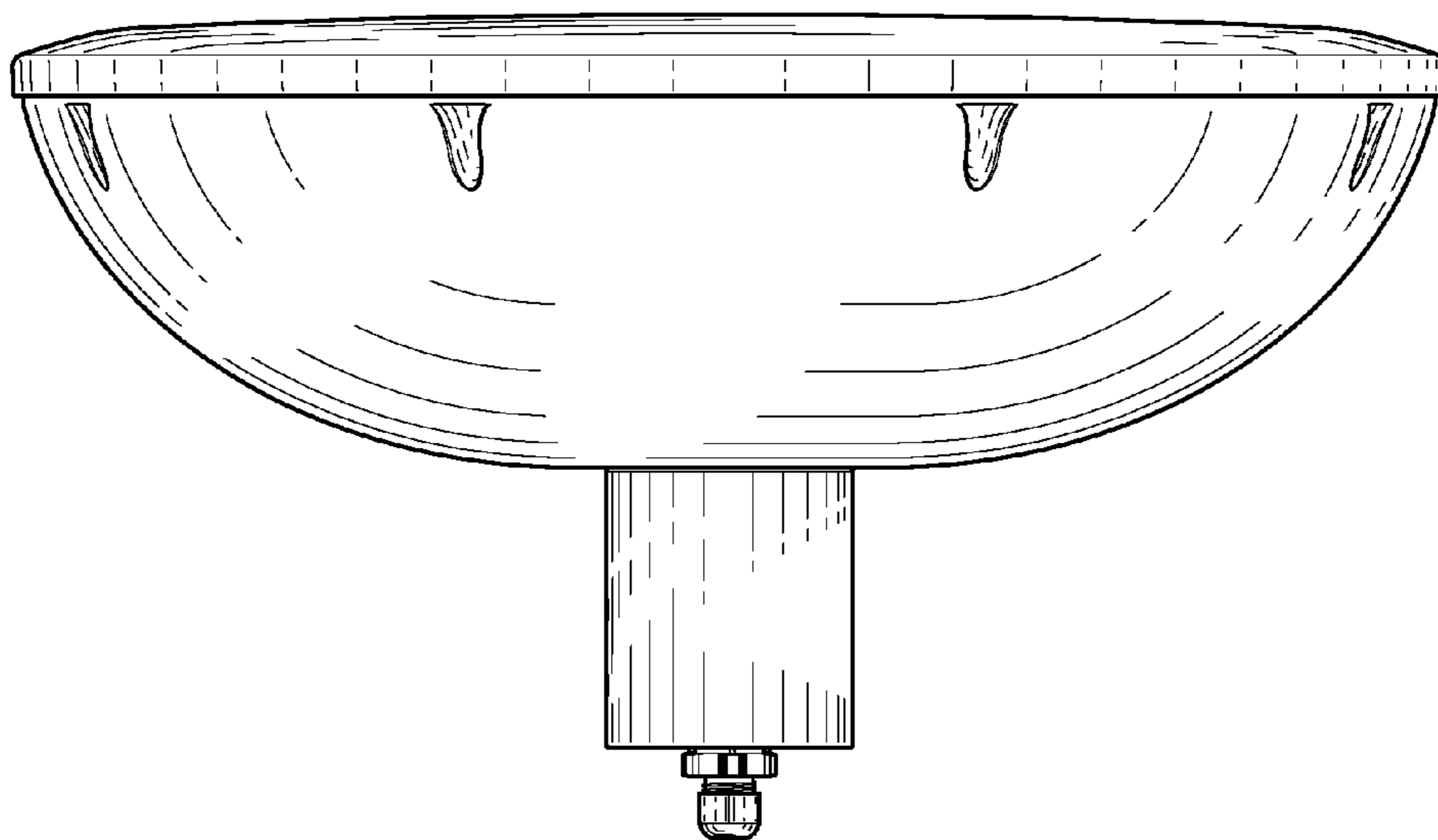


FIG. 5

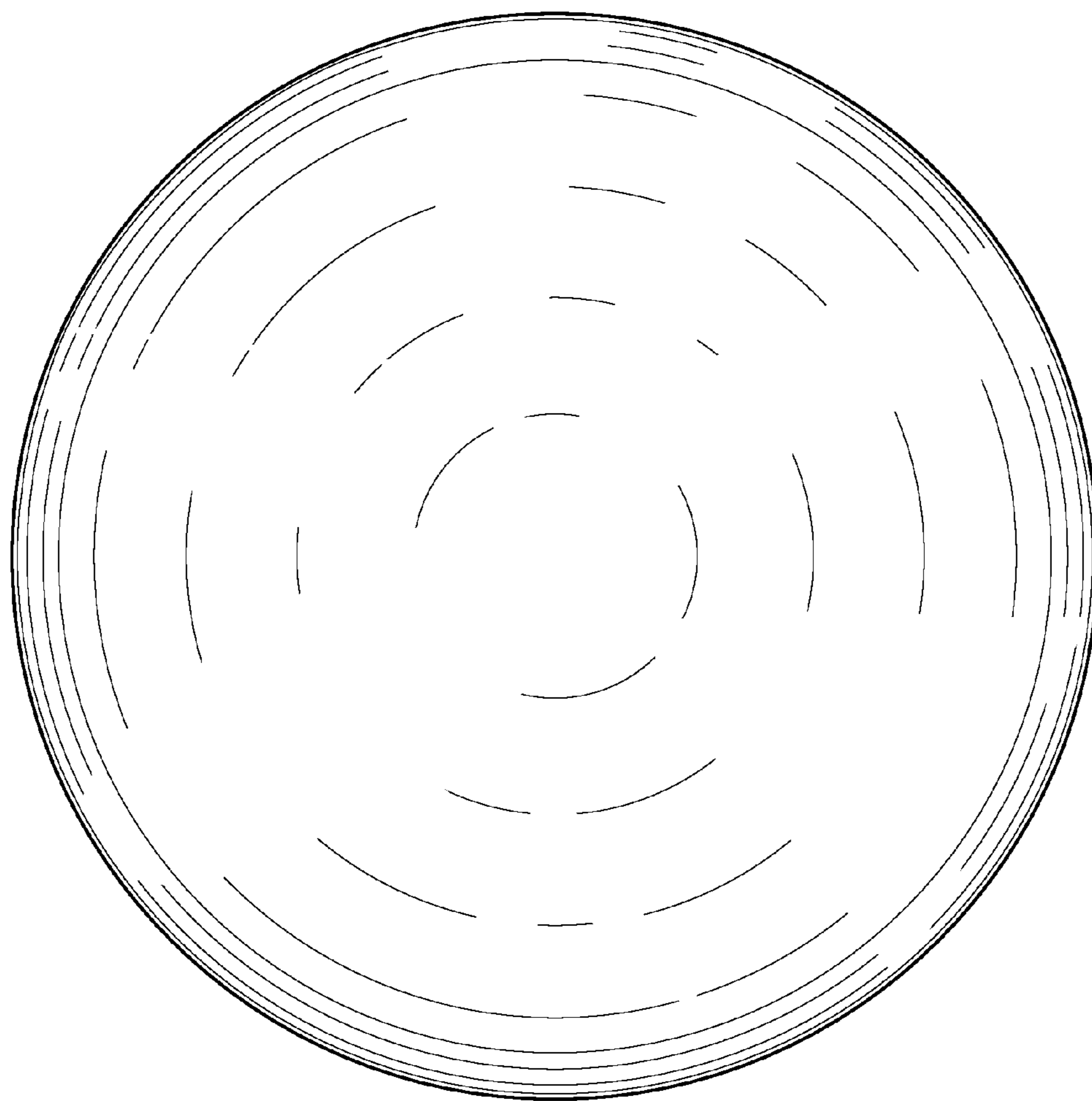


FIG. 6

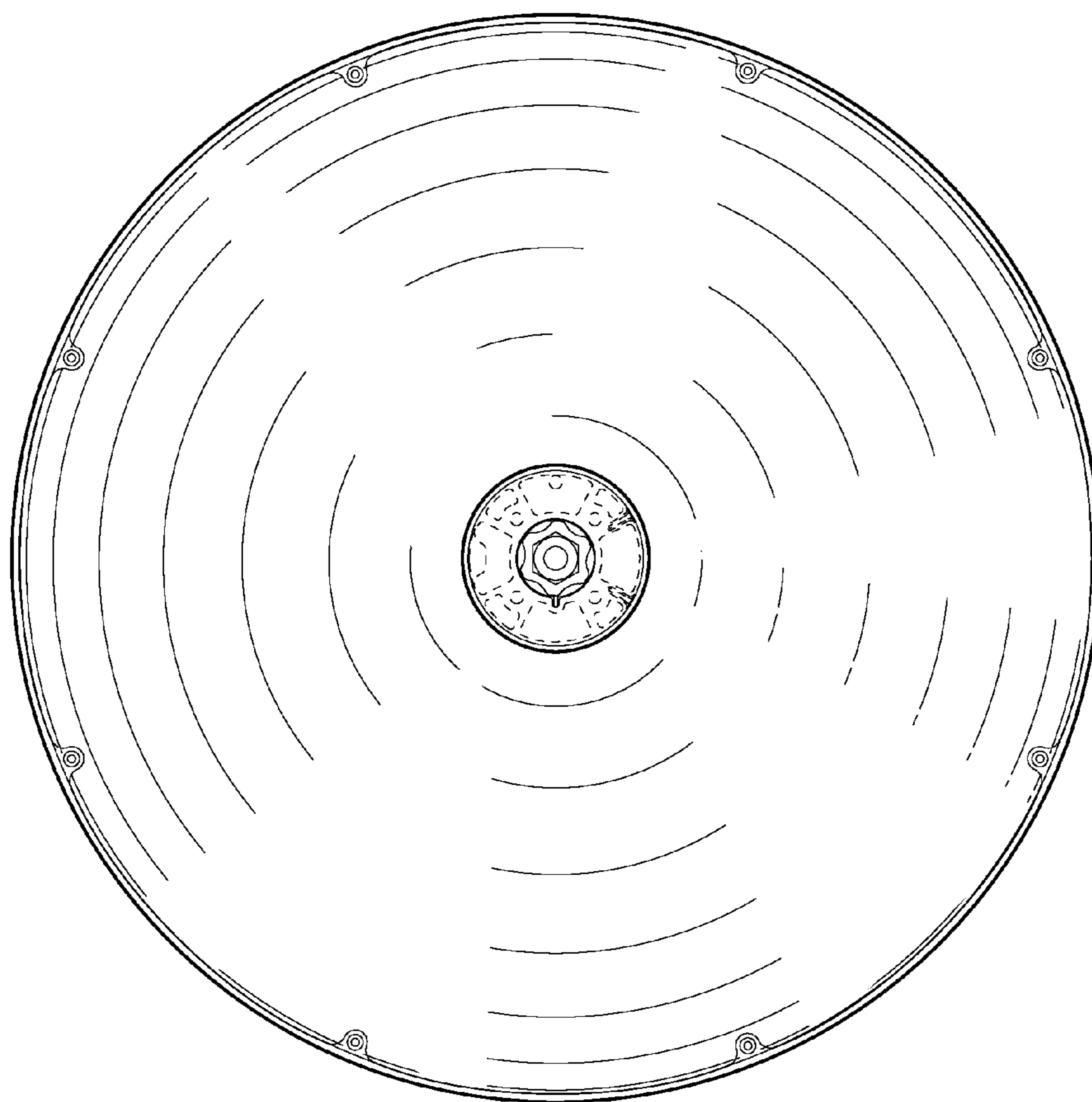


FIG. 7