



US00D738553S

(12) **United States Design Patent**  
**Fletcher**

(10) **Patent No.:** **US D738,553 S**

(45) **Date of Patent:** **\*\* Sep. 8, 2015**

(54) **LAMP**

(71) Applicant: **Todd J. Fletcher**, Haley Station (CA)

(72) Inventor: **Todd J. Fletcher**, Haley Station (CA)

(73) Assignee: **8198189 Canada Inc.**, Ottawa (CA)

(\*\*) Term: **14 Years**

(21) Appl. No.: **29/442,606**

(22) Filed: **Apr. 3, 2013**

(51) **LOC (10) Cl.** ..... **26-02**

(52) **U.S. Cl.**  
USPC ..... **D26/41**

(58) **Field of Classification Search**  
USPC ..... D26/37, 39, 40, 46, 49, 51; 362/157,  
362/158, 183-184, 194-196, 200-208, 253  
CPC ..... F21V 33/00; F21V 14/025; F21V 21/406;  
F21Y 2101/02; F21L 2003/00; F21L 2005/00;  
F21L 2/00; F21L 4/00; F21L 4/005; F21L  
17/00; F21L 13/08  
See application file for complete search history.

(56) **References Cited**

**U.S. PATENT DOCUMENTS**

D440,677 S \* 4/2001 Long et al. .... D26/40  
D450,867 S \* 11/2001 Long et al. .... D26/37  
D509,920 S \* 9/2005 Fritz et al. .... D26/40

D614,333 S \* 4/2010 Schnitzer ..... D26/37  
D646,443 S \* 10/2011 Cook et al. .... D30/160  
D650,105 S \* 12/2011 Crawford et al. .... D26/41  
D667,976 S \* 9/2012 Wu ..... D26/49  
D673,317 S \* 12/2012 Yang ..... D26/68  
D674,126 S \* 1/2013 Mase ..... D26/49  
D698,953 S \* 2/2014 Hinzmann ..... D26/37

\* cited by examiner

*Primary Examiner* — Ian Simmons

*Assistant Examiner* — Carissa C Fitts

(74) *Attorney, Agent, or Firm* — George A. Seaby

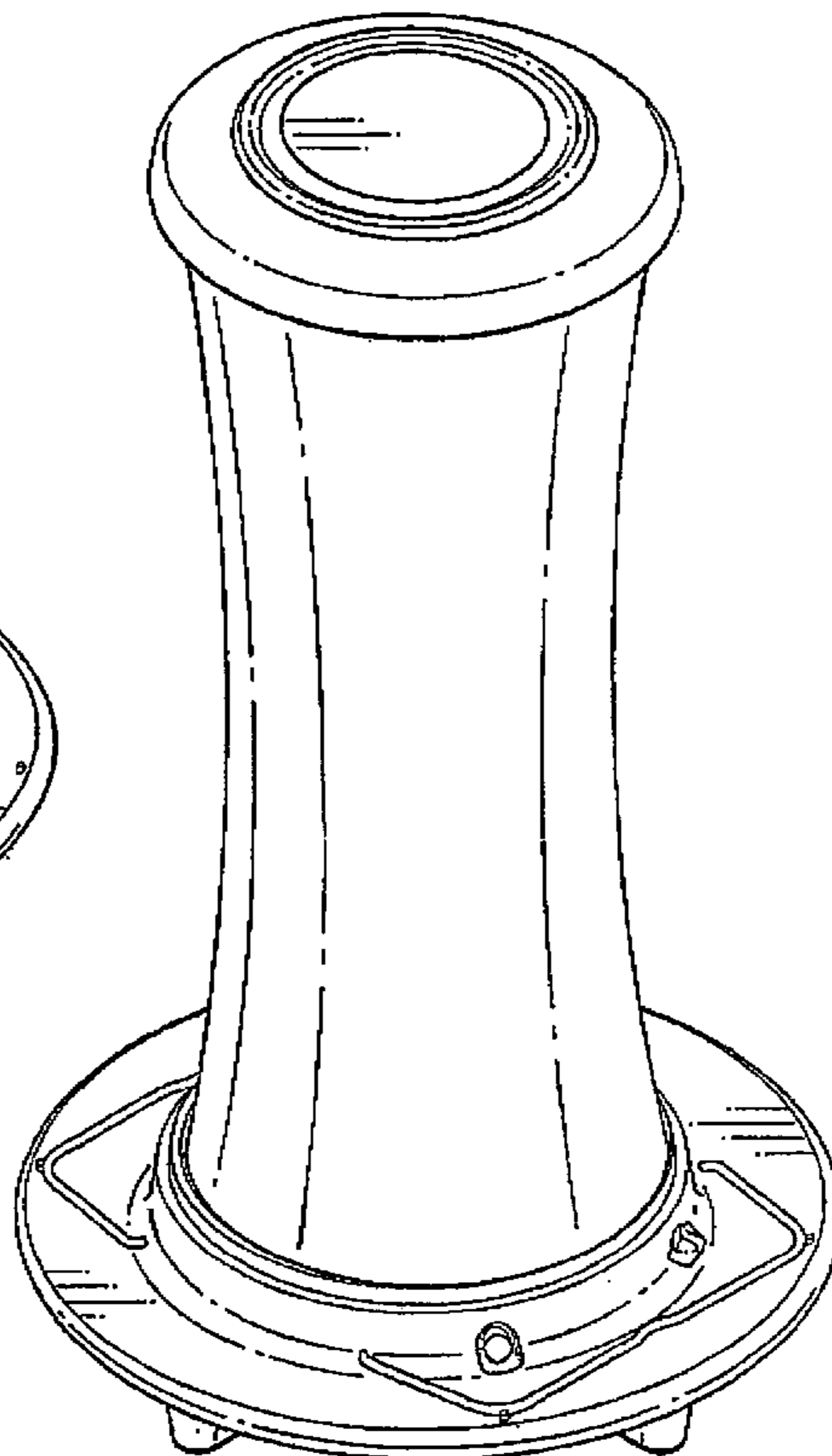
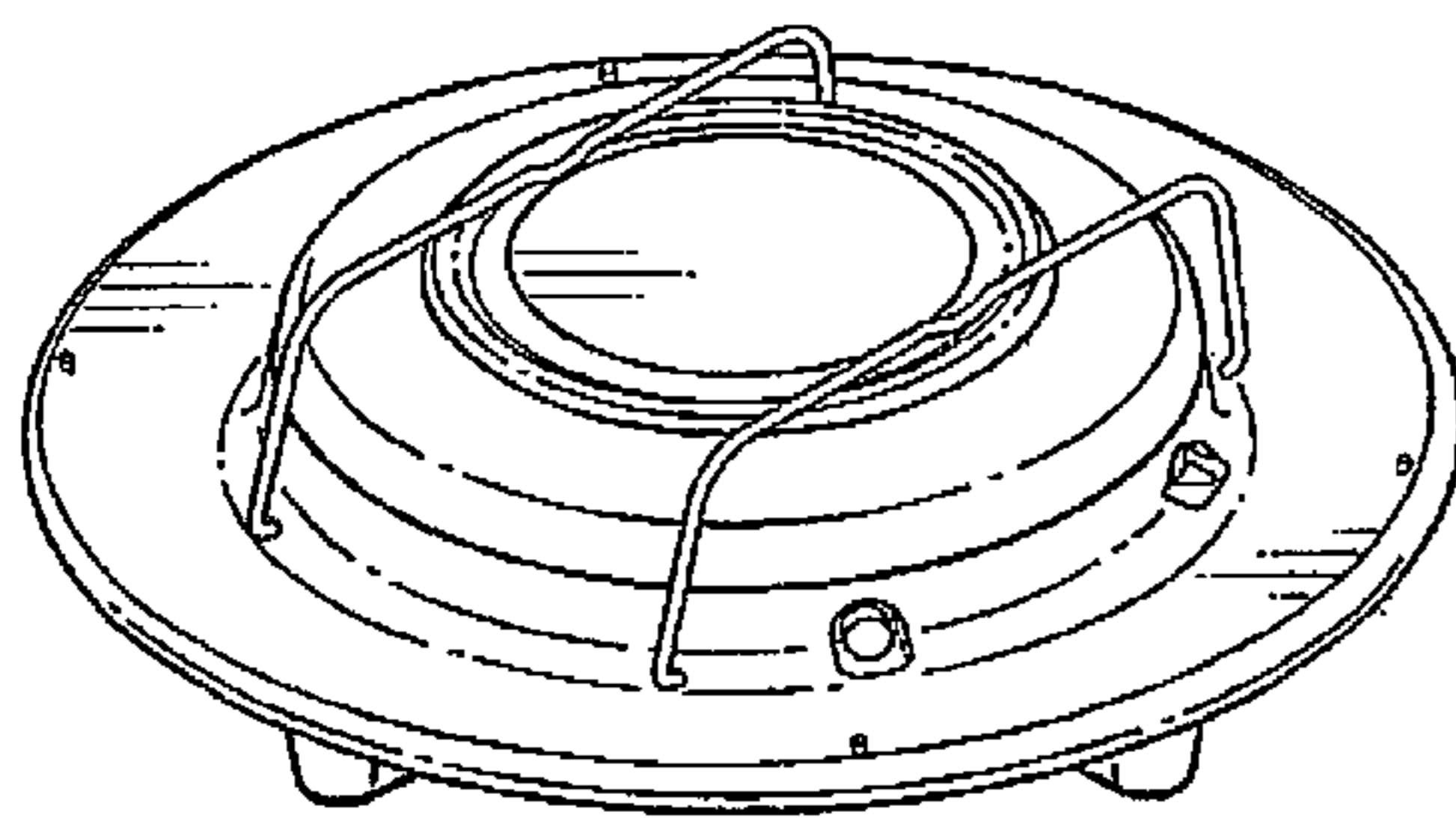
(57) **CLAIM**

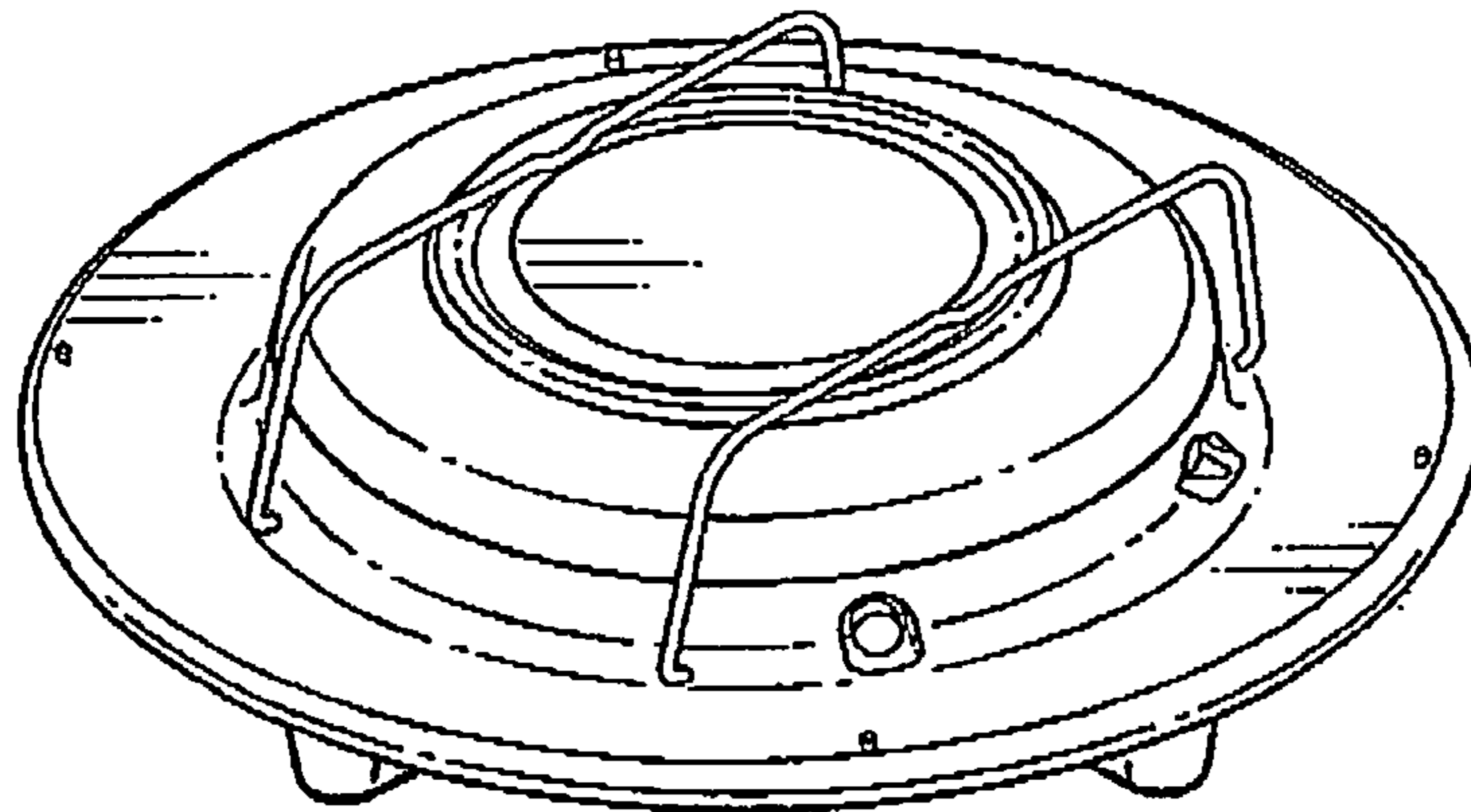
The ornamental design for a lamp, as shown and described.

**DESCRIPTION**

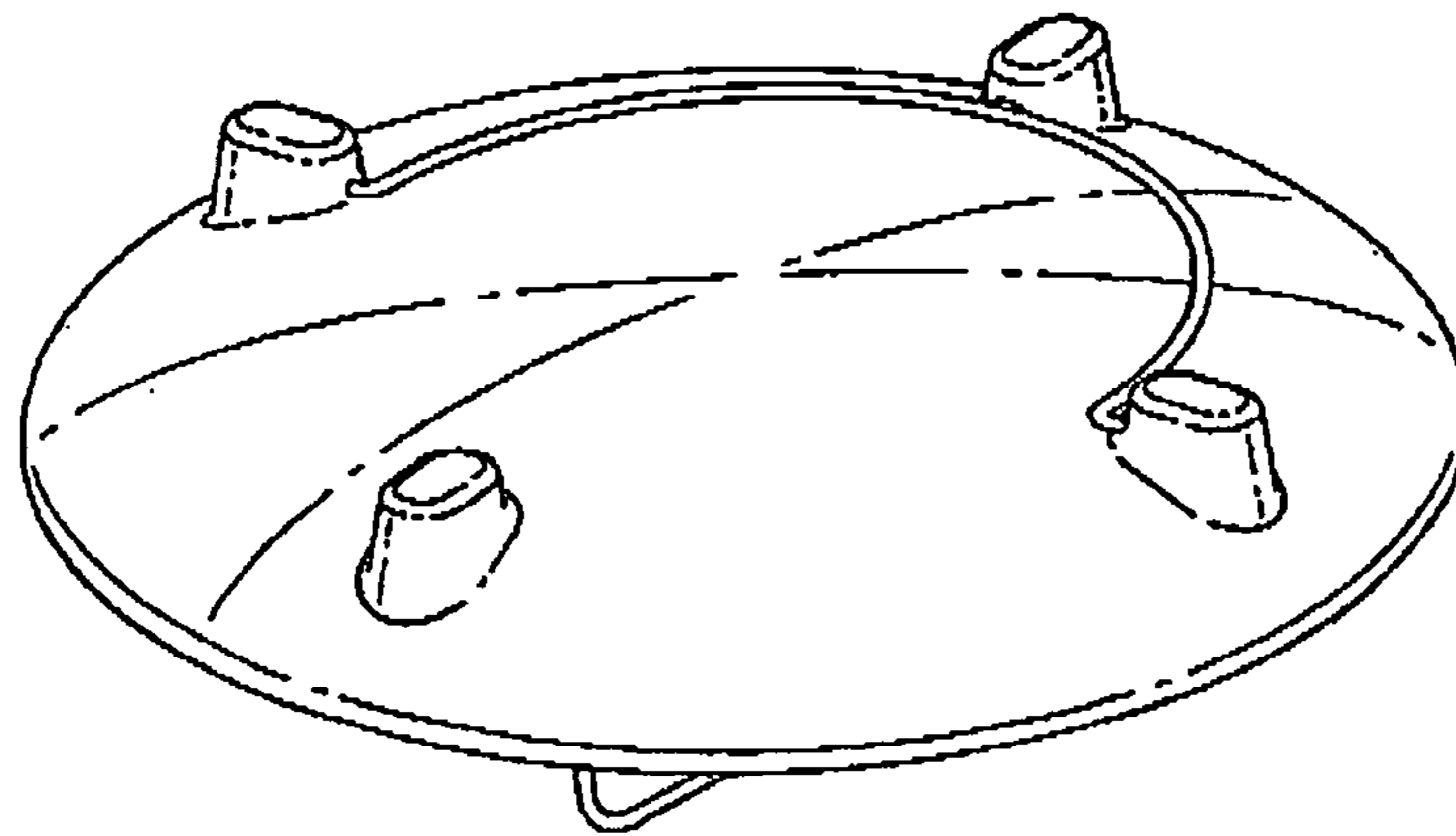
FIG. 1 is a perspective view of the lamp as viewed from above;  
FIG. 2 is a perspective view thereof as viewed from below;  
FIG. 3 is a top elevational view thereof;  
FIG. 4 is a bottom elevational view thereof;  
FIG. 5 is a side elevational view thereof;  
FIG. 6 is a perspective view thereof in the open condition;  
FIG. 7 is a side view thereof in the open condition; and,  
FIG. 8 is a top view thereof in the open condition.

**1 Claim, 4 Drawing Sheets**





*FIG. 1*



*FIG. 2*

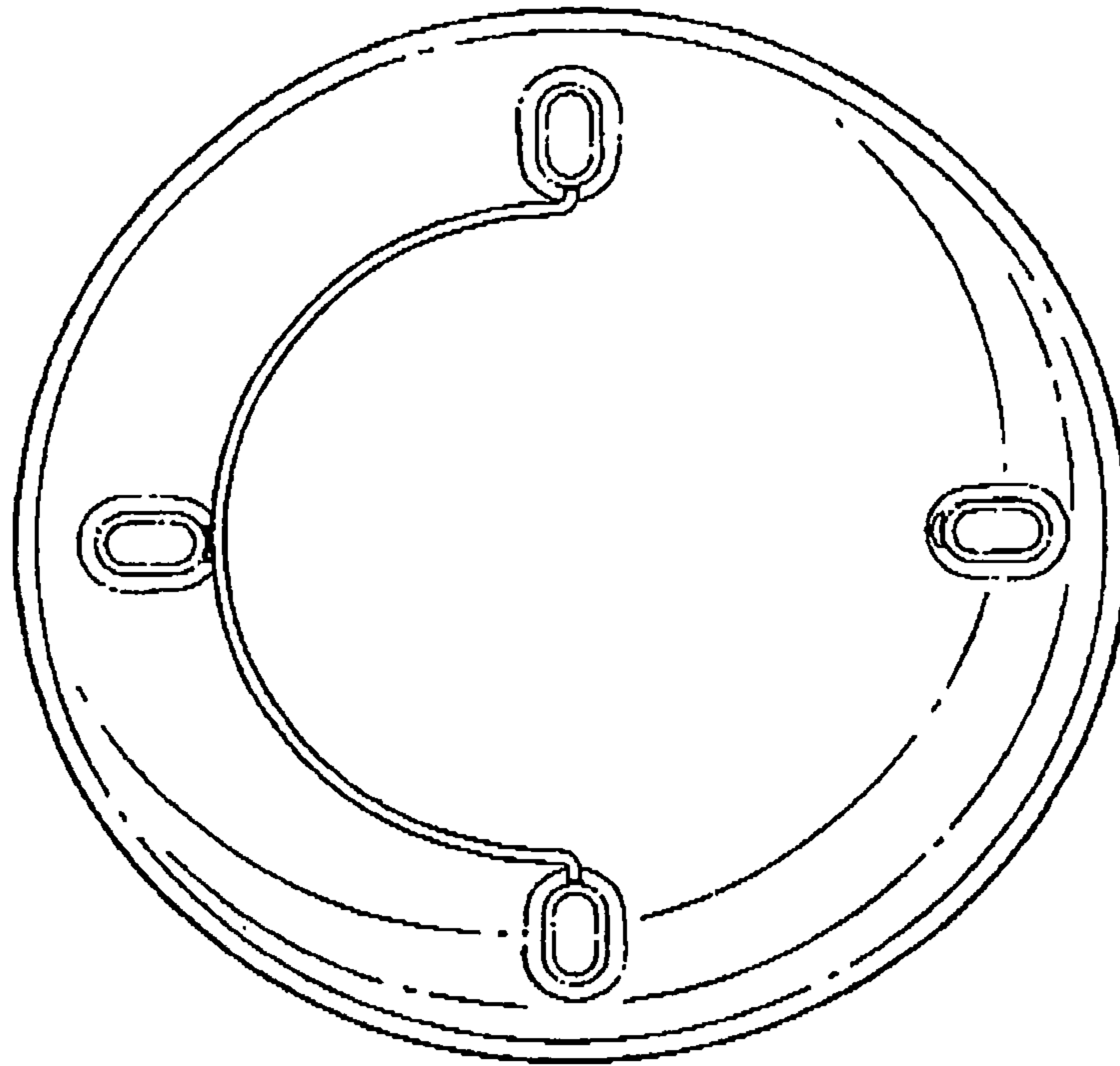


FIG. 4

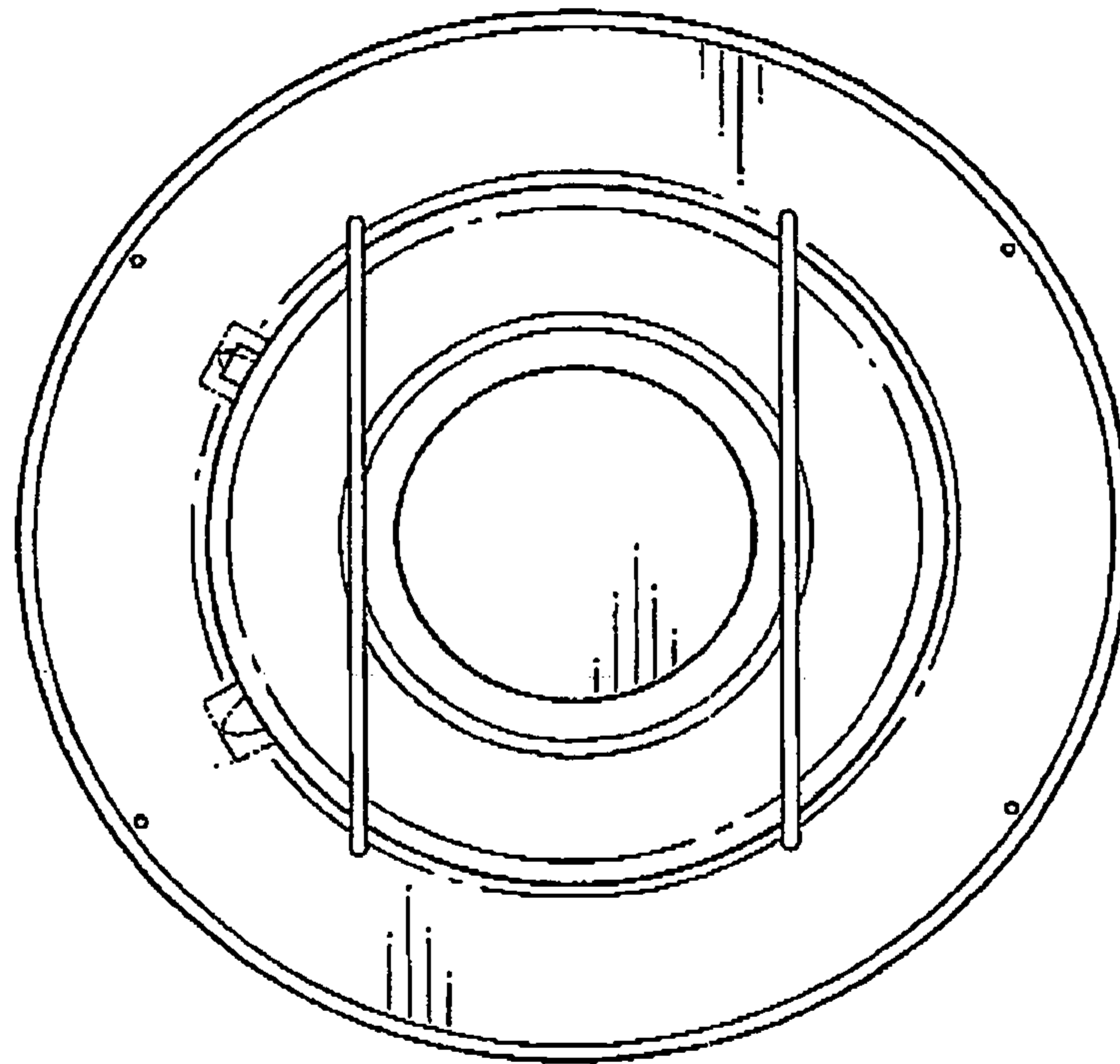


FIG. 3

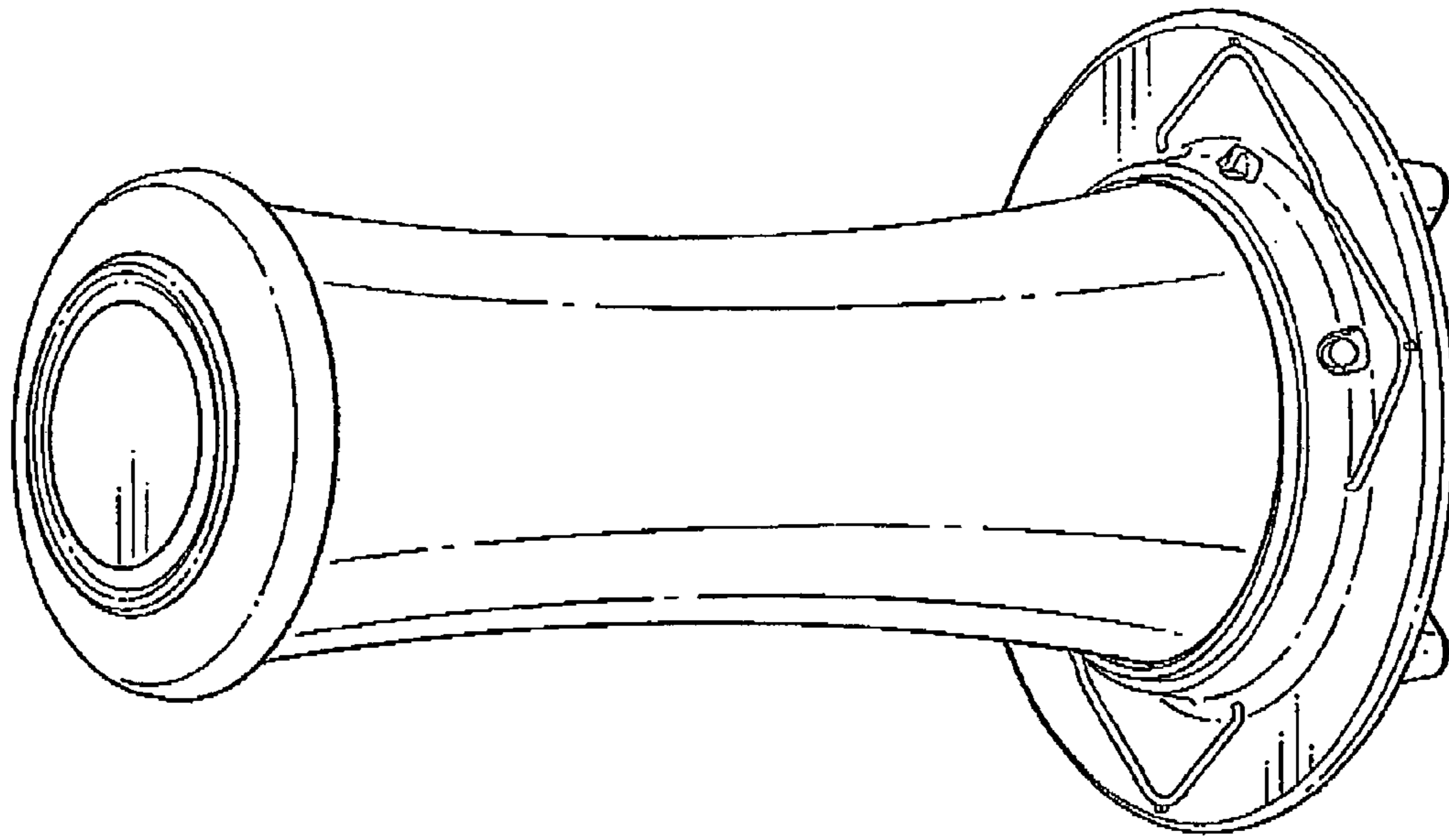


FIG. 6

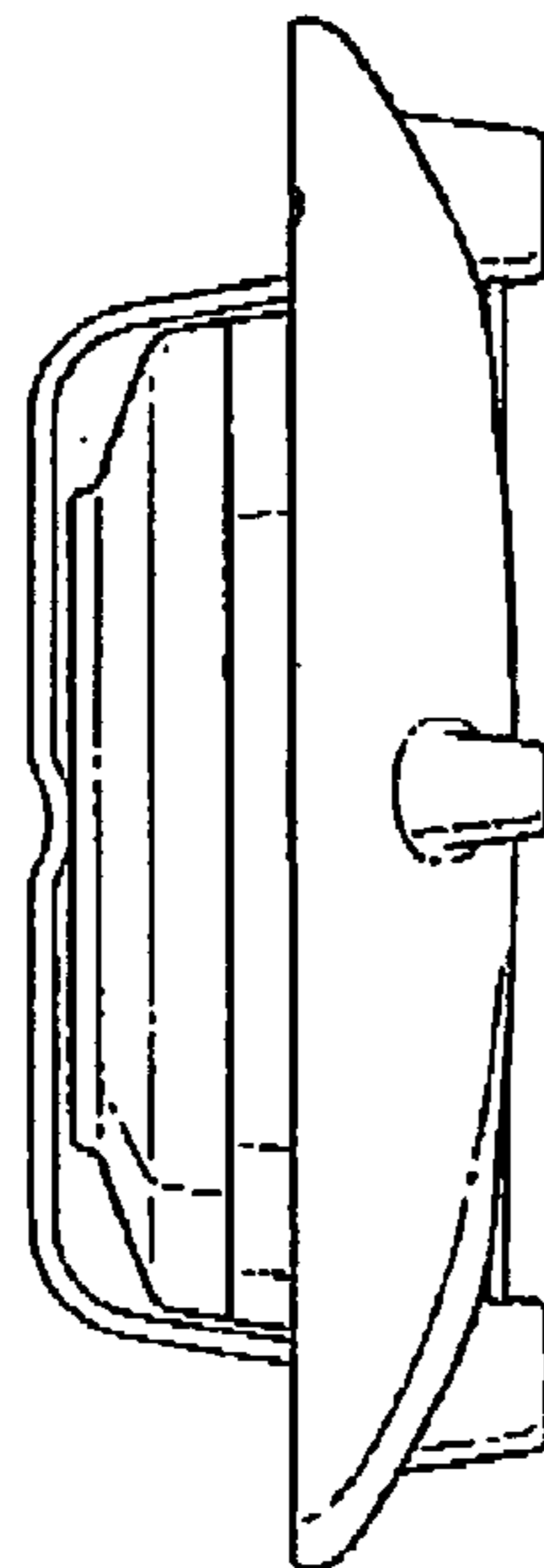


FIG. 5

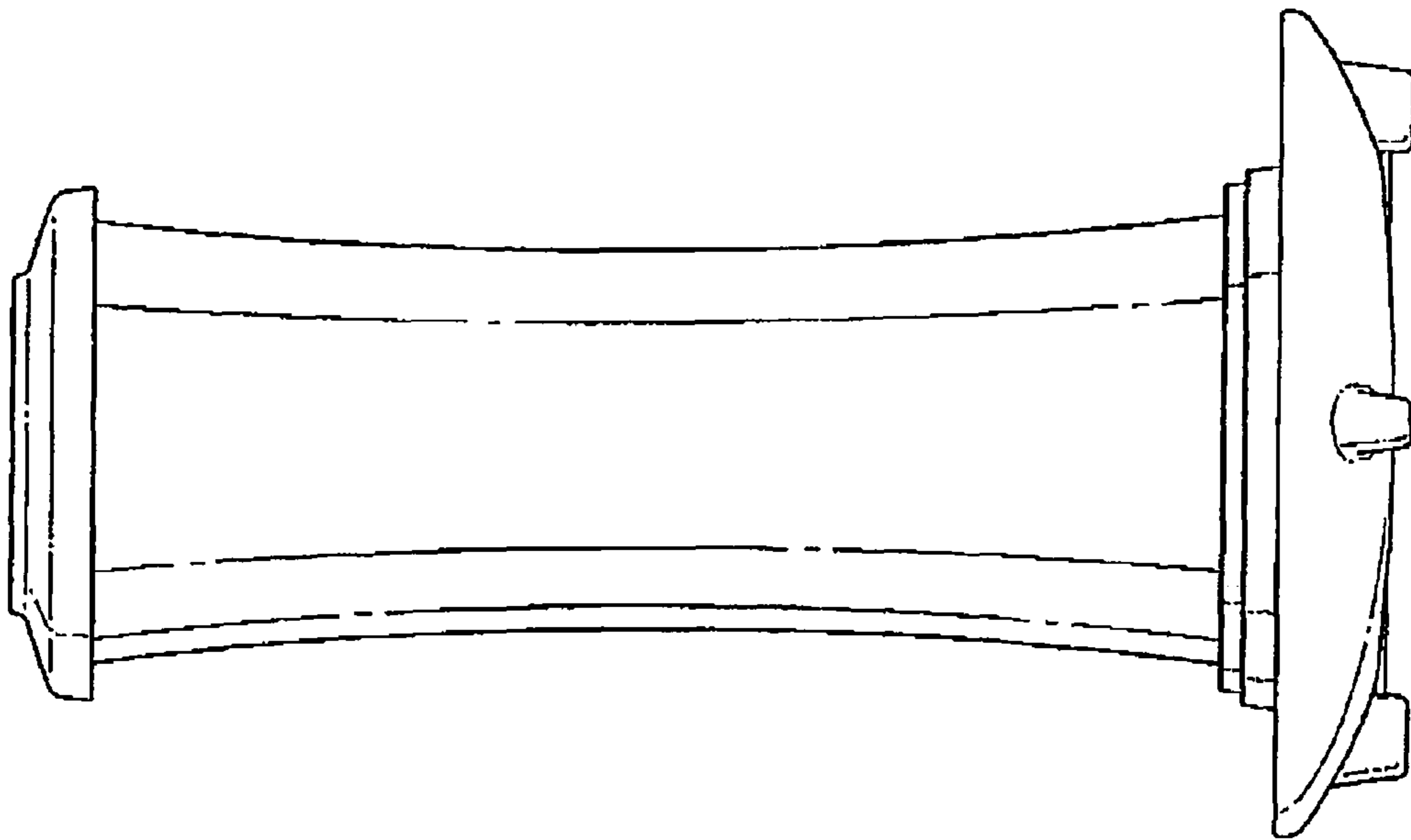


FIG. 7

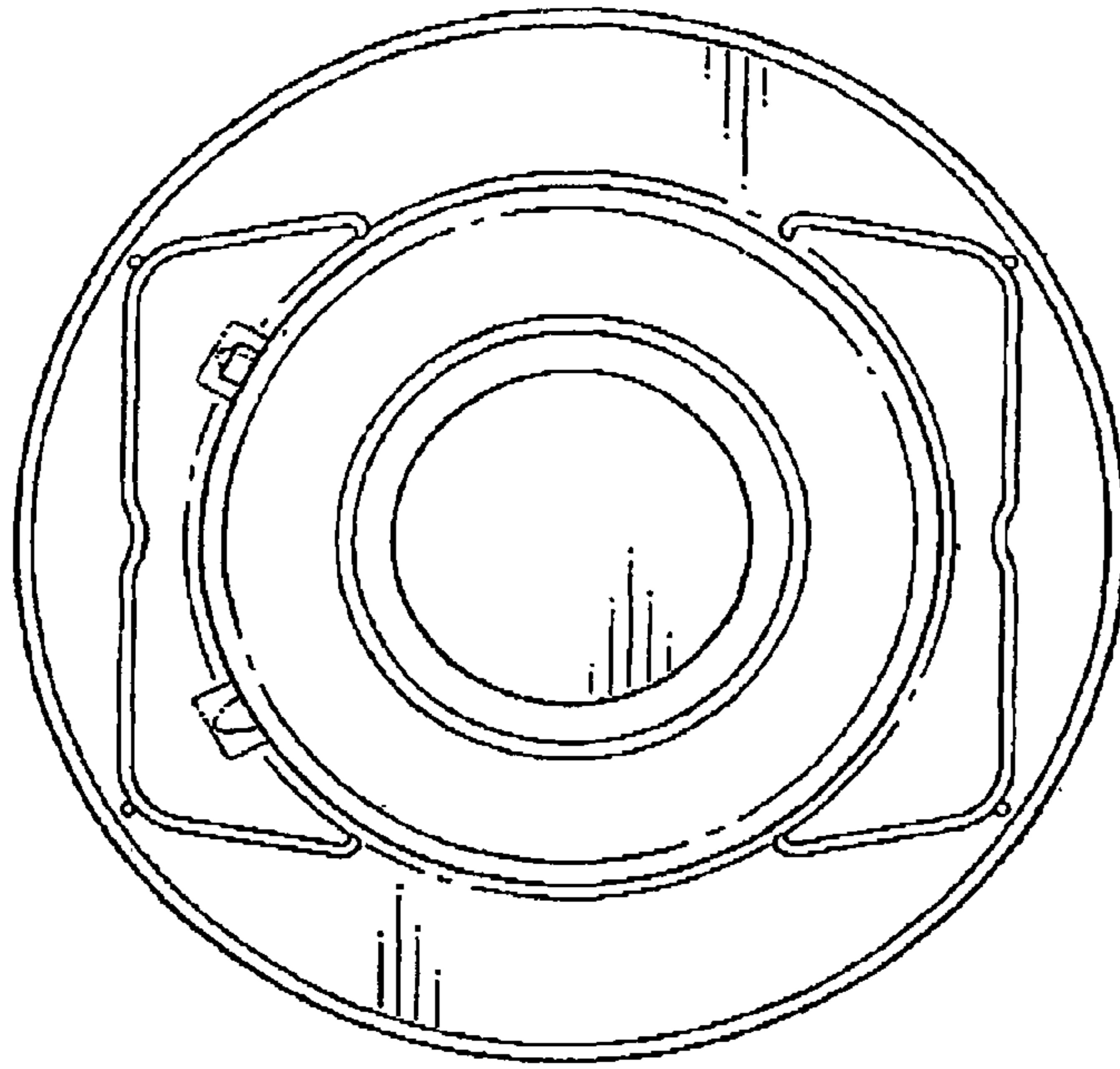


FIG. 8