



US00D738552S

(12) **United States Design Patent**
Heiner et al.

(10) **Patent No.:** **US D738,552 S**
(45) **Date of Patent:** **** Sep. 8, 2015**

(54) **LIGHT FIXTURE**

(71) Applicants: **Johnathan J. Heiner**, Mesa, AZ (US);
Stephen P. Adams, Mesa, AZ (US)

(72) Inventors: **Johnathan J. Heiner**, Mesa, AZ (US);
Stephen P. Adams, Mesa, AZ (US)

(73) Assignee: **JST Performance, LLC**, Gilbert, AZ
(US)

(**) Term: **14 Years**

(21) Appl. No.: **29/471,781**

(22) Filed: **Nov. 5, 2013**

(51) **LOC (10) Cl.** **26-06**

(52) **U.S. Cl.**
USPC **D26/31**

(58) **Field of Classification Search**
USPC D26/28-36; 362/459-468, 475-478,
362/485-487

See application file for complete search history.

(56) **References Cited**

U.S. PATENT DOCUMENTS

D326,282 S * 5/1992 Spoljaric D20/10
D483,505 S * 12/2003 Schwerdtmann D26/31

D483,891 S * 12/2003 Suberi D26/31
D529,642 S * 10/2006 Green D26/31
D678,564 S * 3/2013 Janssen D26/28
D709,221 S * 7/2014 Tsai et al. D26/28

* cited by examiner

Primary Examiner — Marcus Jackson

(57) **CLAIM**

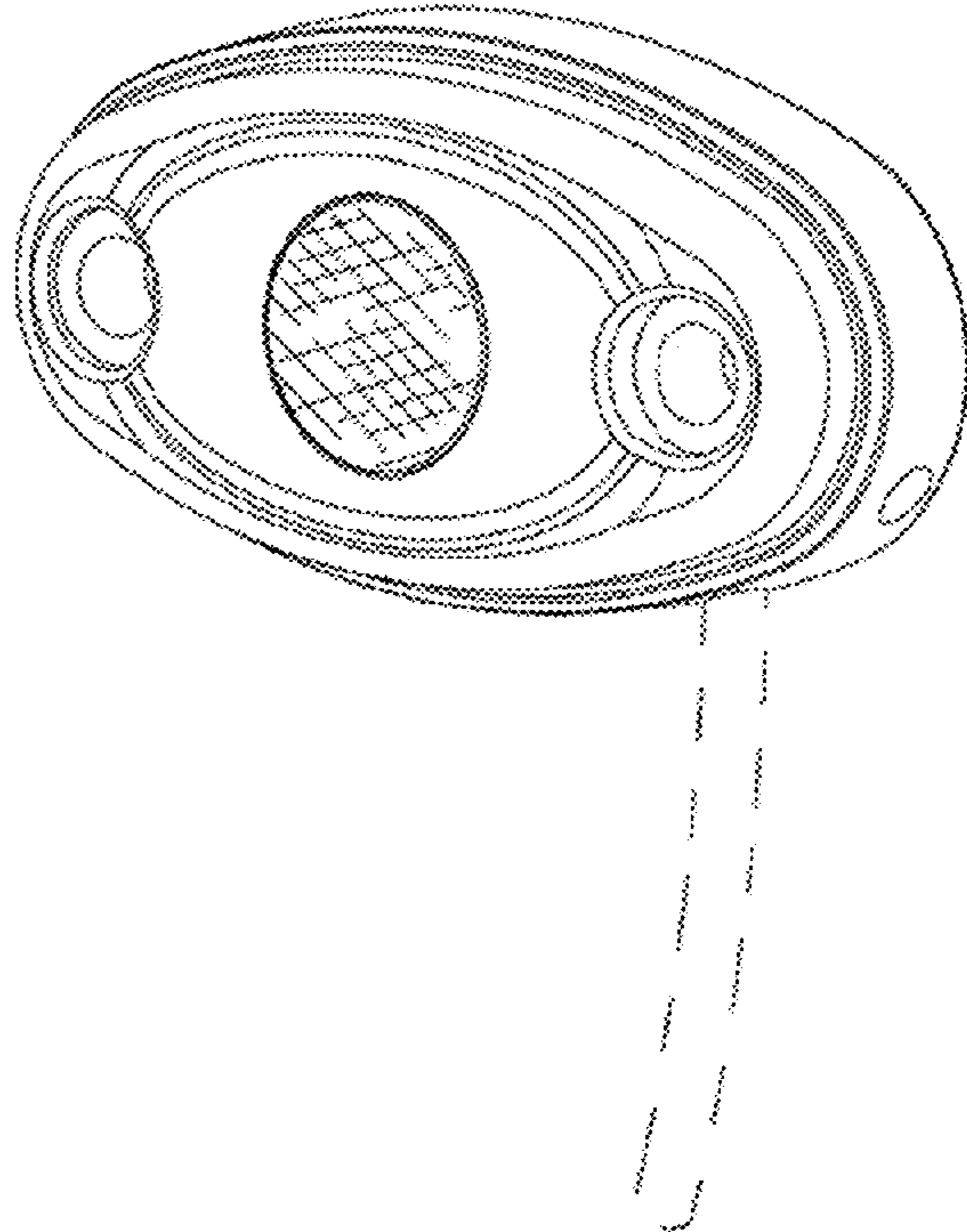
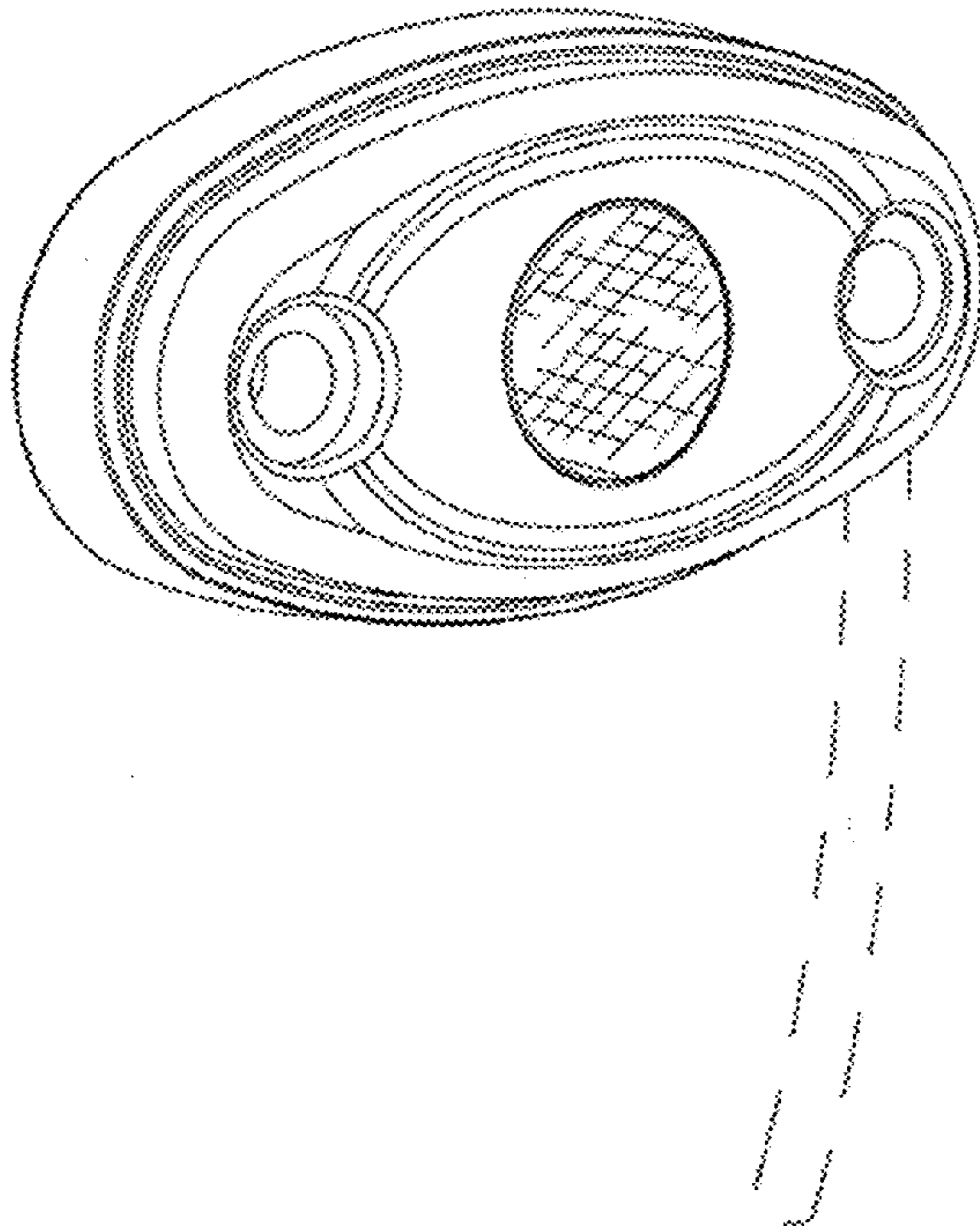
The ornamental design for a light fixture, as shown and described.

DESCRIPTION

FIG. 1 is a front and left side perspective view of our new design for a light fixture;
FIG. 2 is a front and right side perspective view thereof;
FIG. 3 is a back and left side perspective view thereof;
FIG. 4 is a back and right side perspective view thereof;
FIG. 5 is a front side view thereof;
FIG. 6 is a back side view thereof;
FIG. 7 is a left side view thereof;
FIG. 8 is a right side view thereof;
FIG. 9 is a top side view thereof; and,
FIG. 10 is a bottom side view thereof.

The broken lines showing environment in the drawings are for illustrative purposes only and form no part of the claimed design.

1 Claim, 8 Drawing Sheets



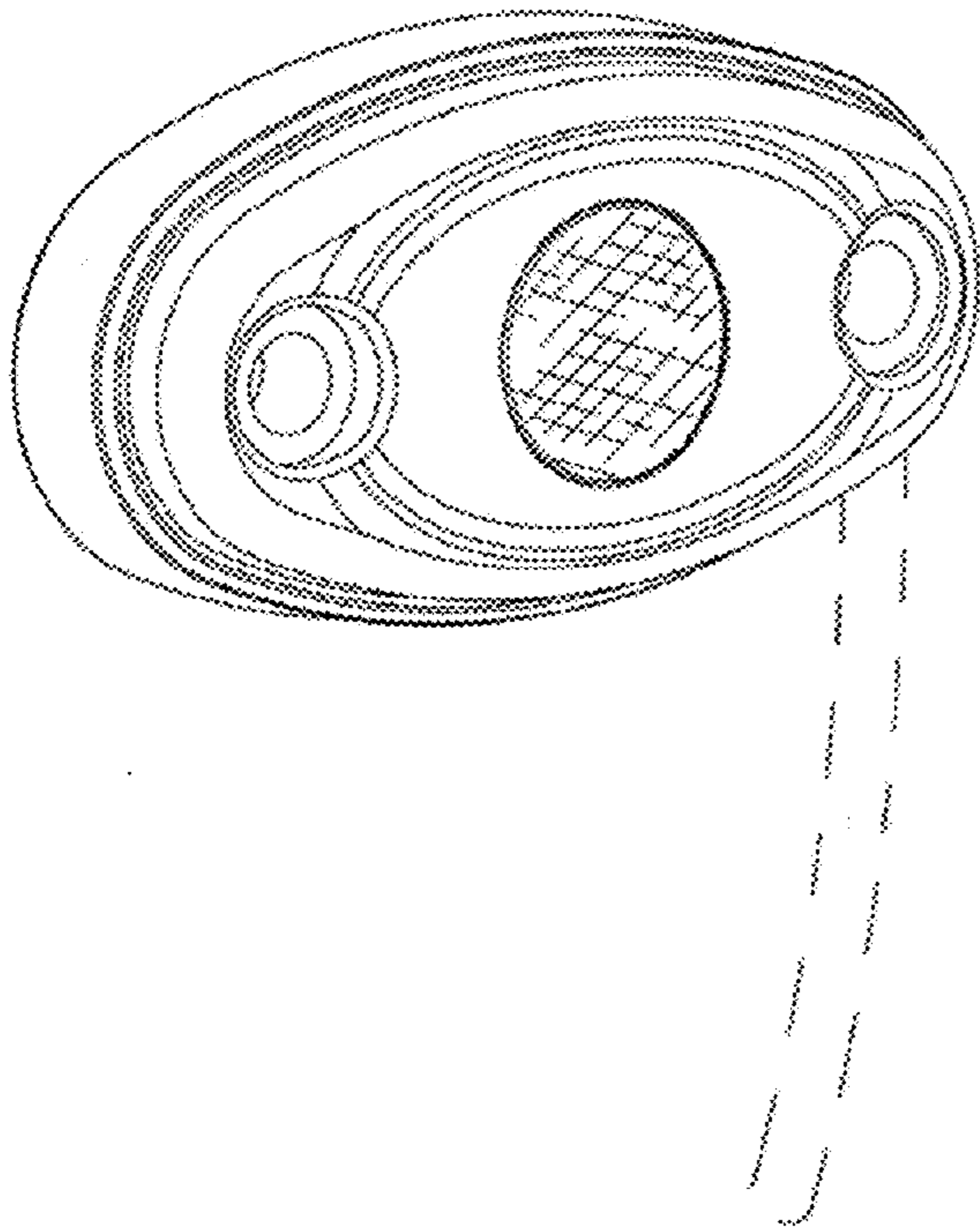


FIG. 1

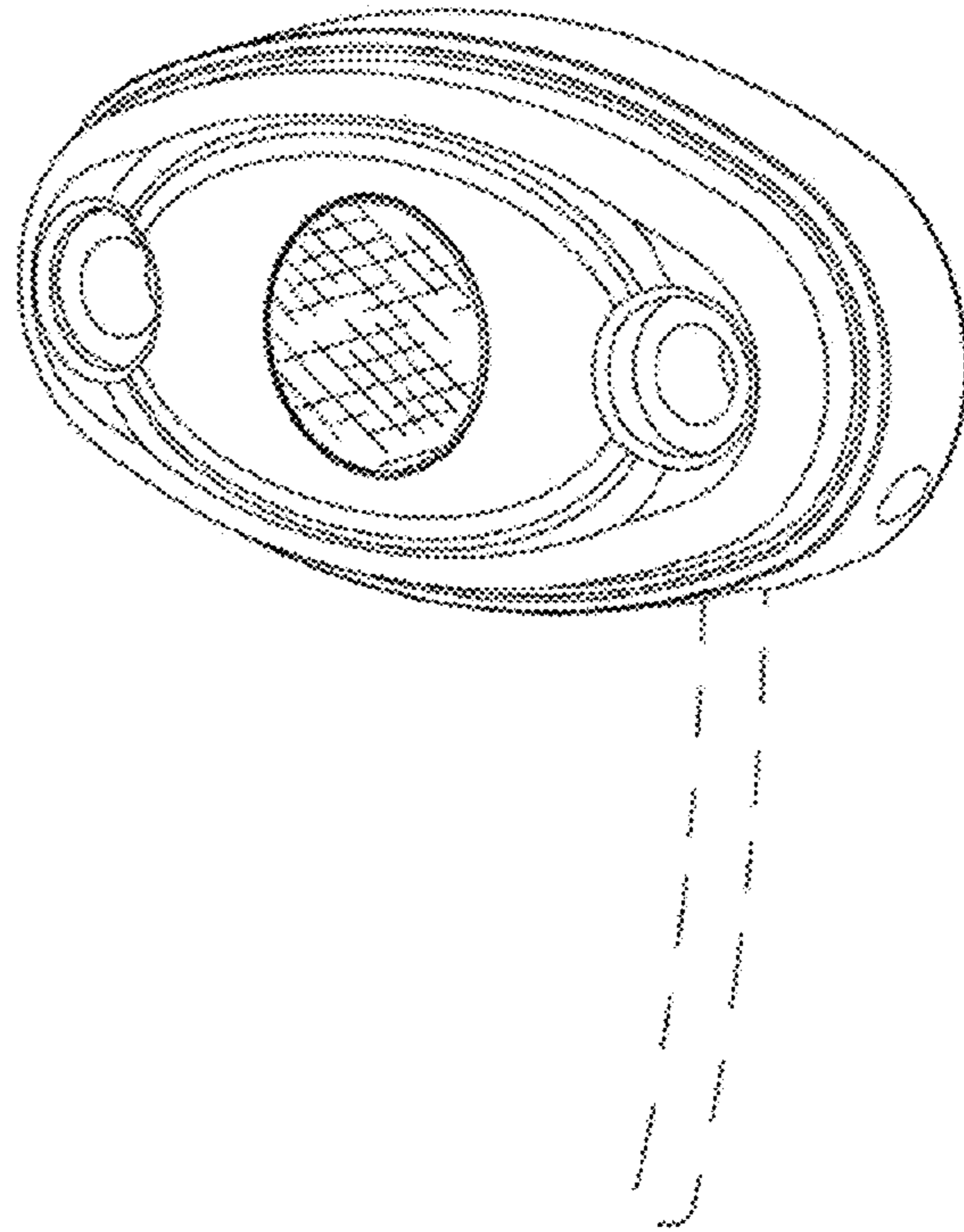


FIG. 2

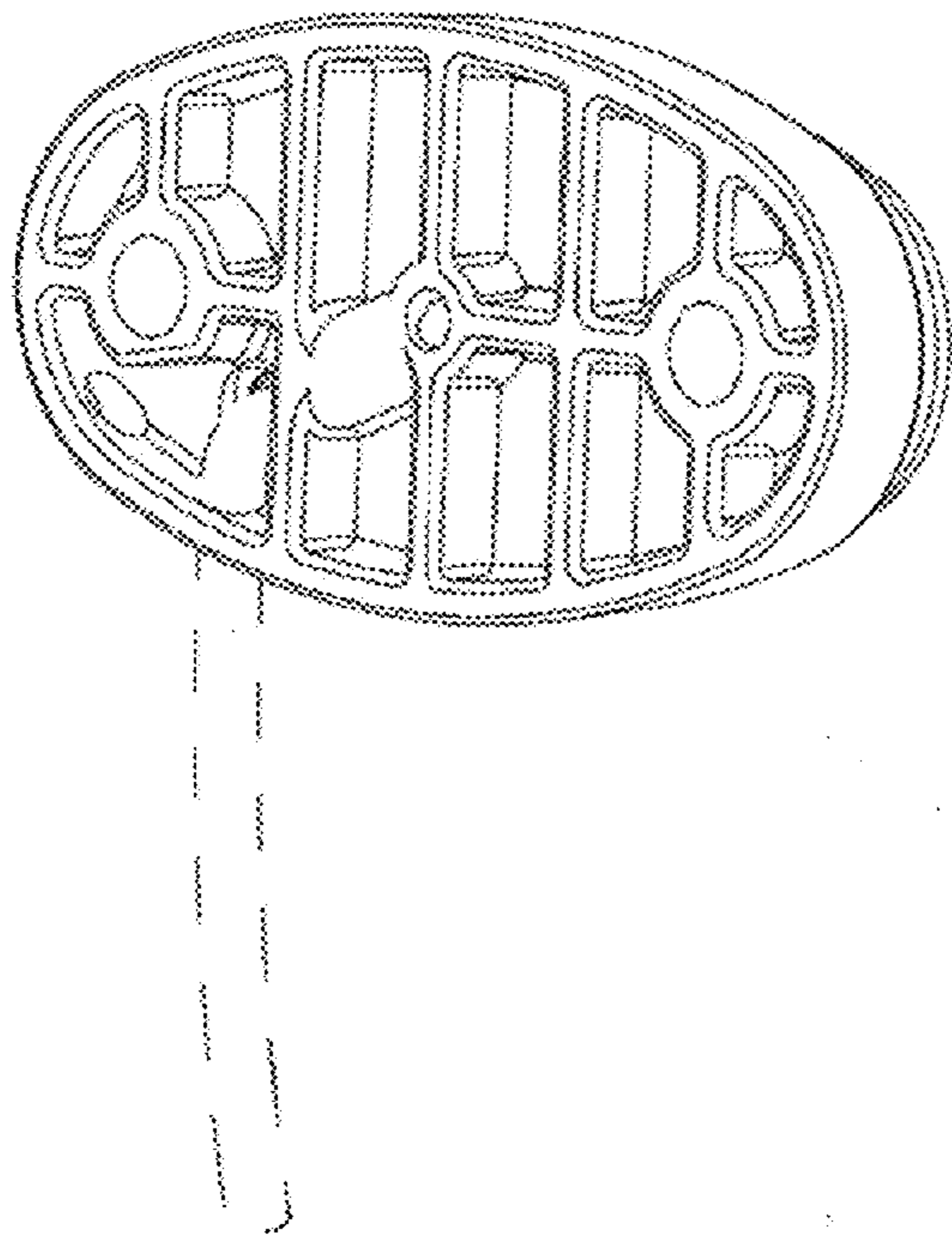


FIG. 3

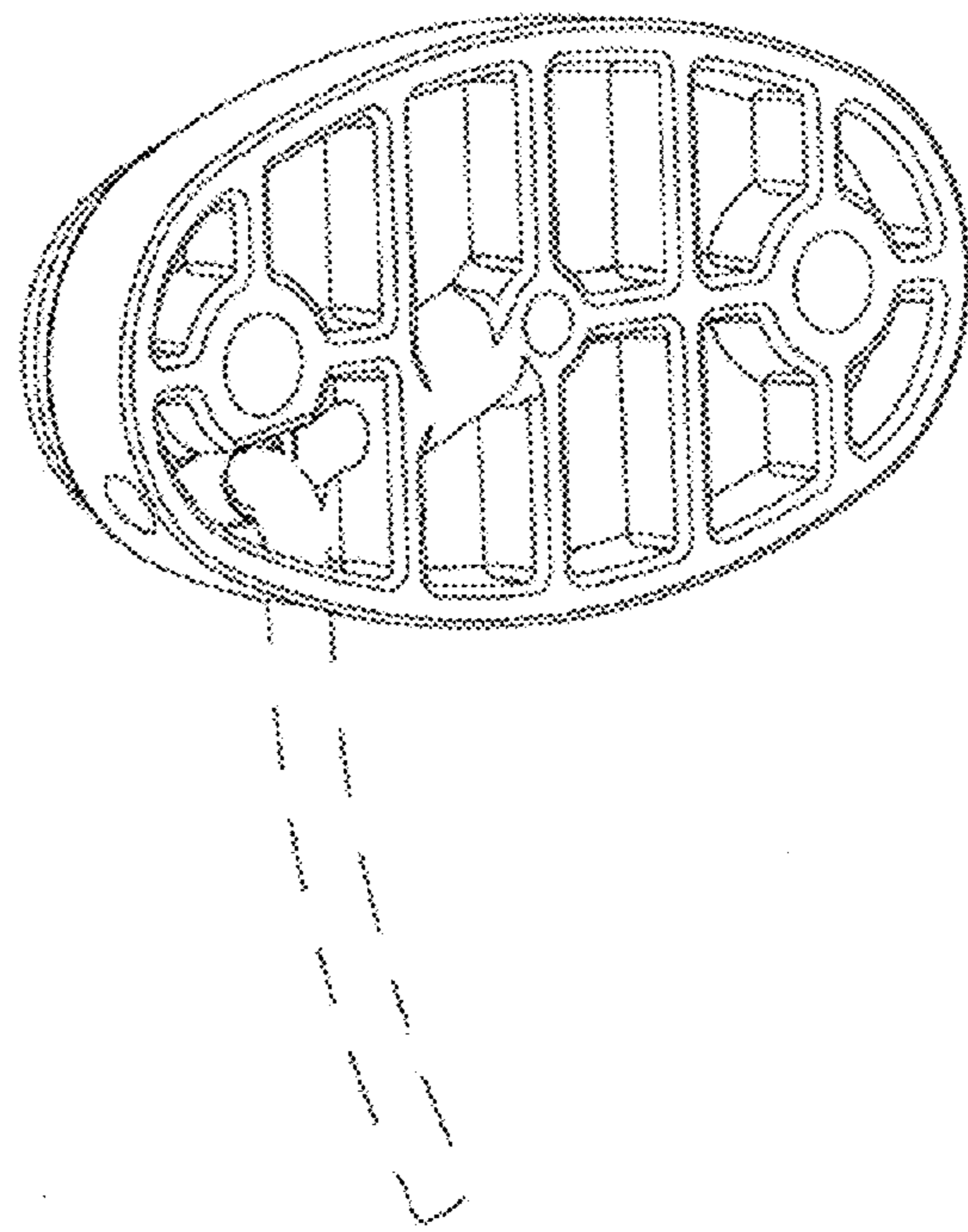


FIG. 4

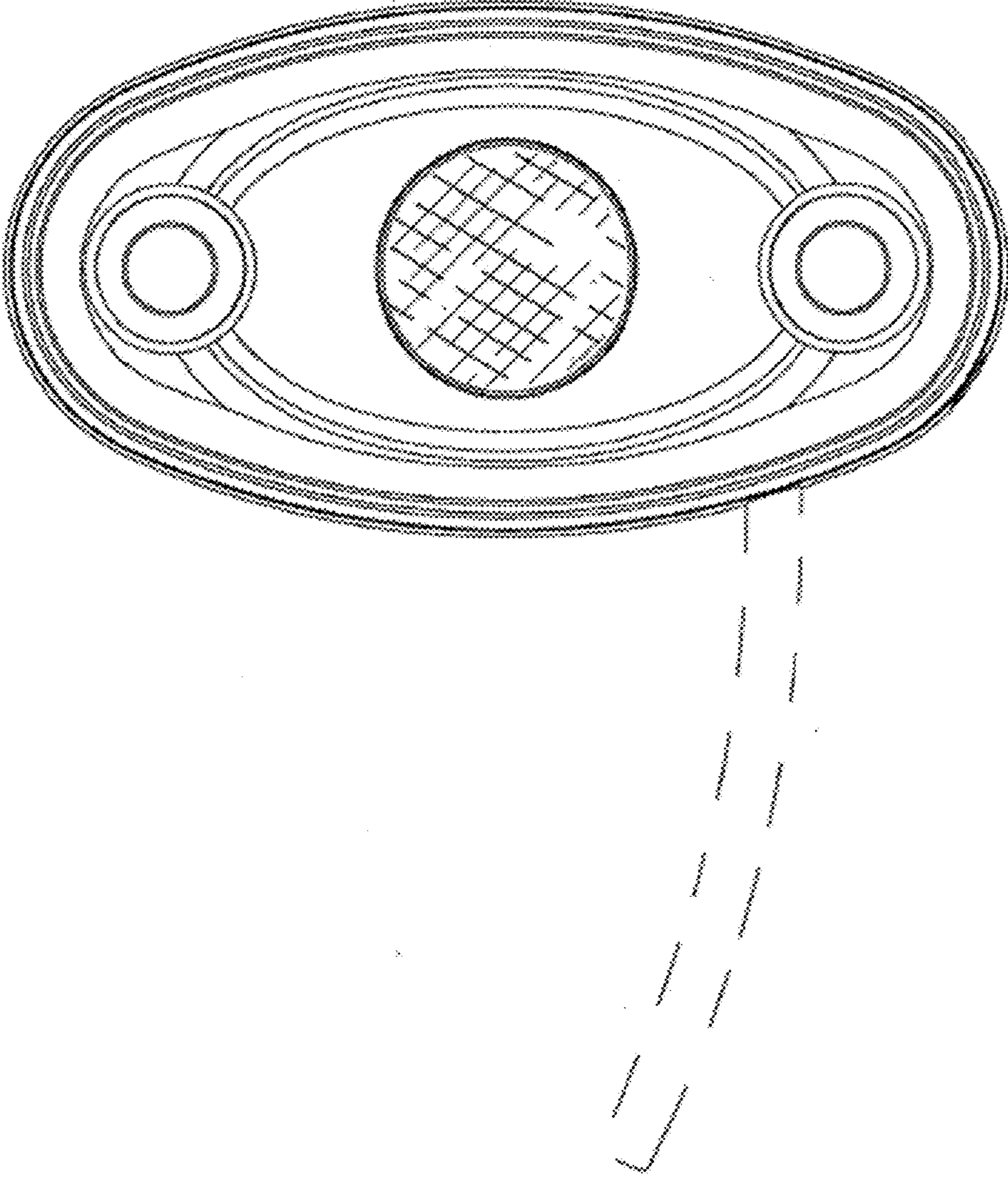


FIG. 5

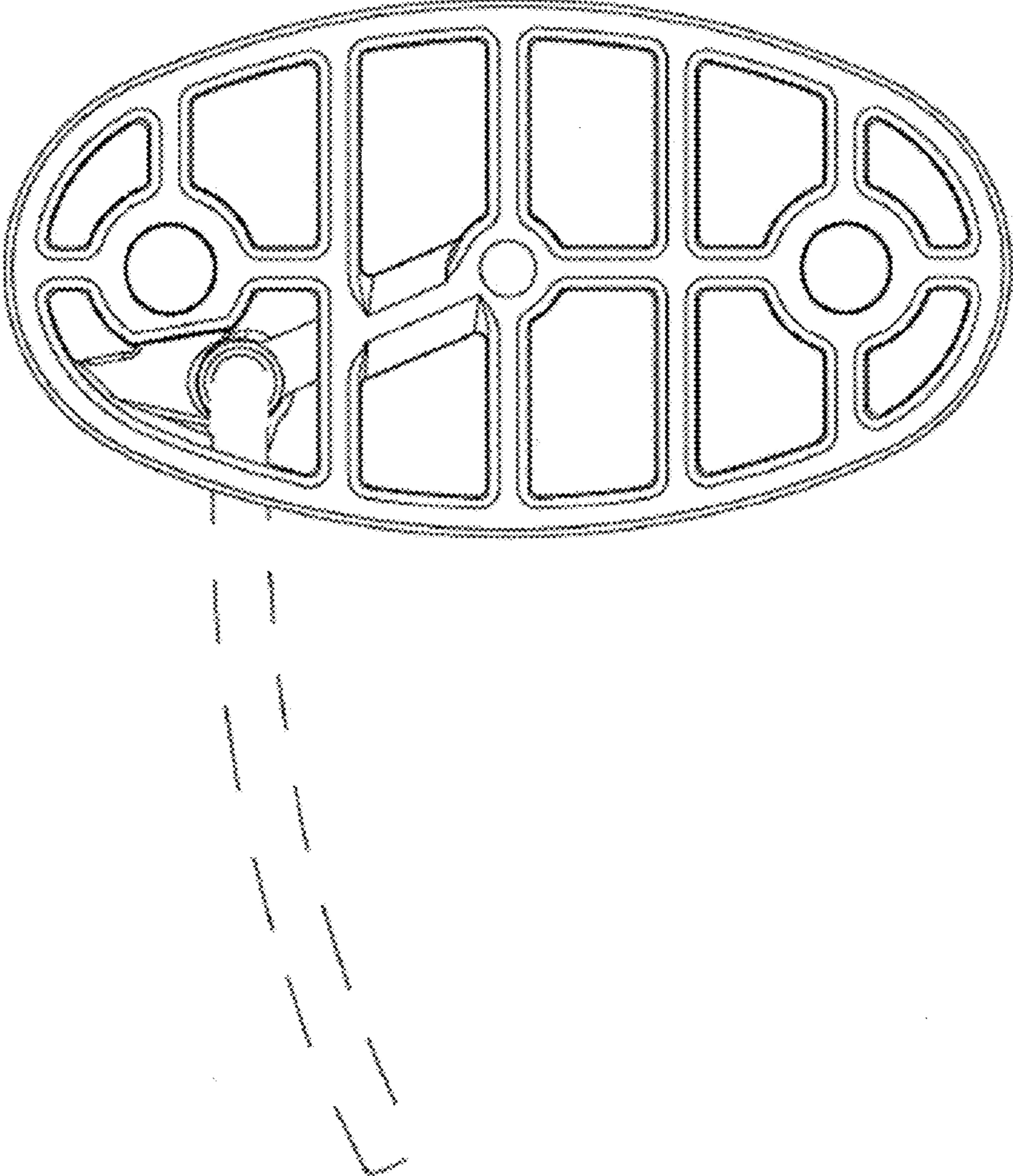


FIG. 6

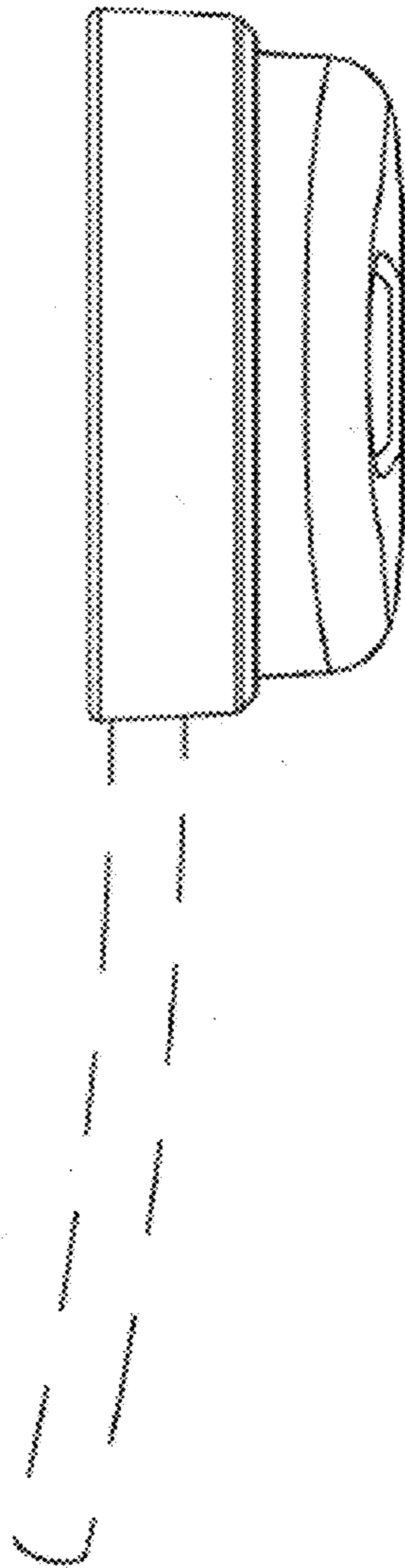


FIG. 7

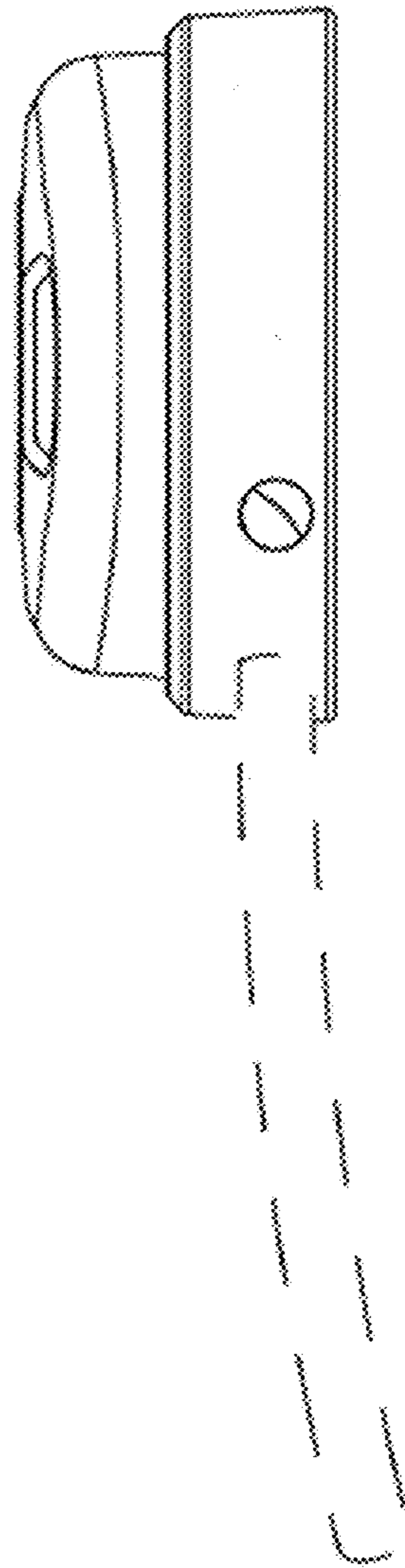


FIG. 8

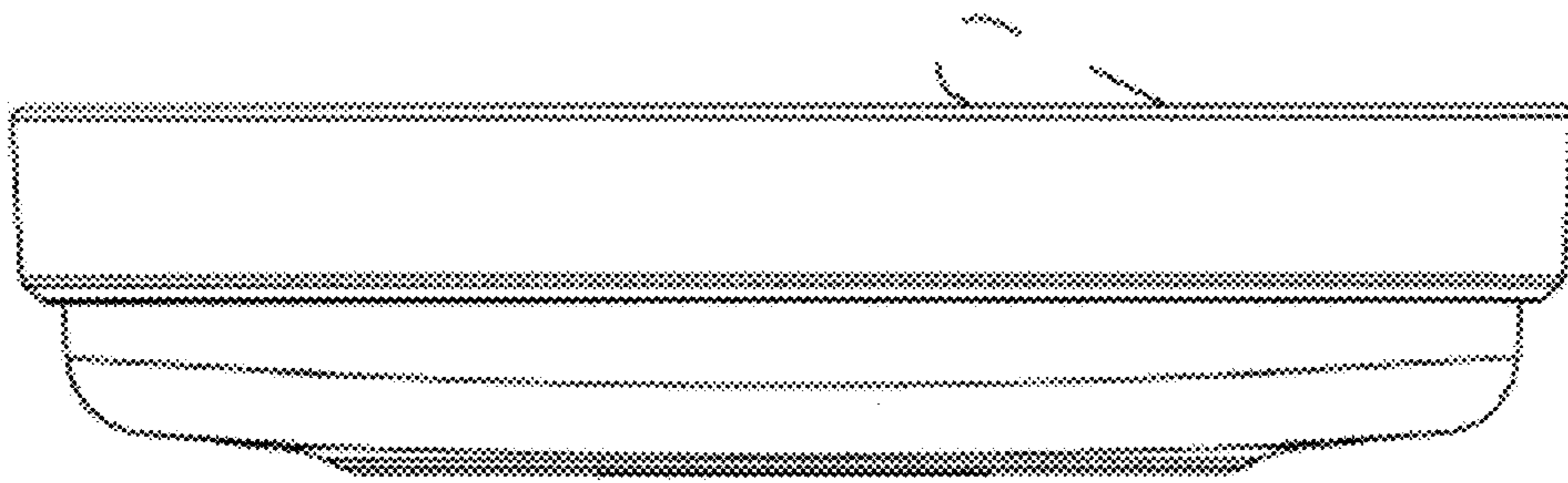


FIG. 9

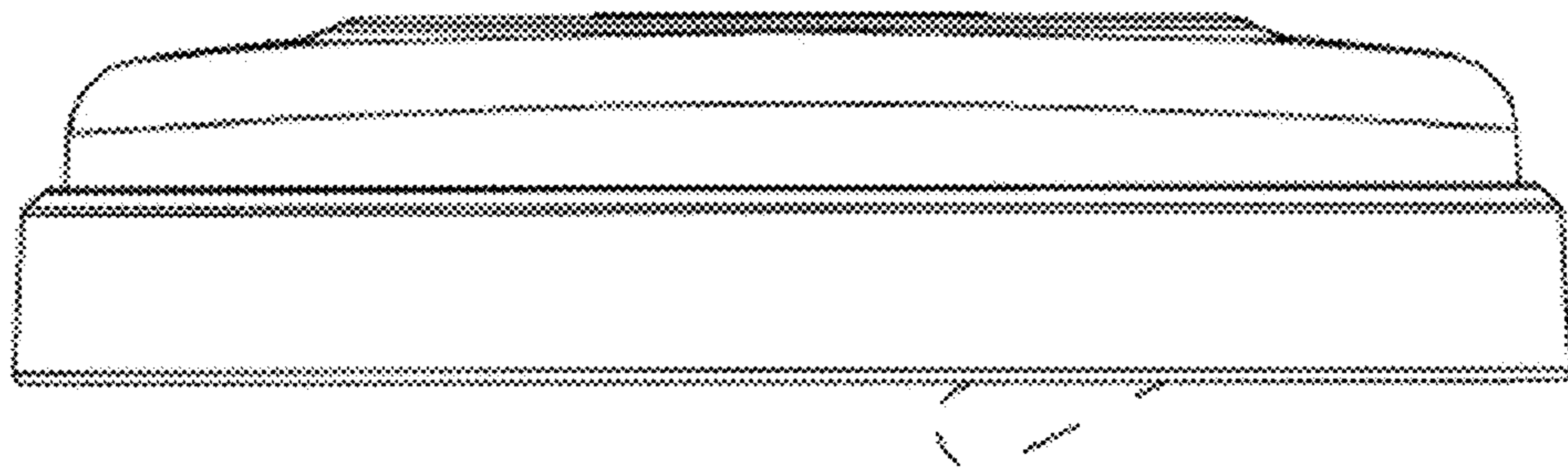


FIG. 10