



US00D738551S

(12) **United States Design Patent**
Diephuis et al.

(10) **Patent No.:** **US D738,551 S**

(45) **Date of Patent:** **** Sep. 8, 2015**

(54) **VEHICLE TAIL LAMP BAR**

(71) Applicant: **Ford Motor Company**, Dearborn, MI (US)

(72) Inventors: **Jesse R. Diephuis**, West Bloomfield, MI (US); **David C. Mahoney**, Orchard Lake, MI (US); **Christopher Hamilton**, Cold Norton (GB)

(73) Assignee: **Ford Motor Company**, Dearborn, MI (US)

(**) Term: **14 Years**

(21) Appl. No.: **29/491,446**

(22) Filed: **May 21, 2014**

(51) **LOC (10) Cl.** **26-06**

(52) **U.S. Cl.**
USPC **D26/28**

(58) **Field of Classification Search**
USPC D26/28-36; 362/459-468, 475-478, 362/485-487
CPC ... F21S 48/1159; F21S 48/00; F21S 48/1241; F21S 48/10; F21S 48/1329; F21S 48/20; F21S 48/2225; F21S 48/1266

See application file for complete search history.

(56) **References Cited**

U.S. PATENT DOCUMENTS

| | | | | |
|--------------|---------|------------------|-------|--------|
| D386,801 S * | 11/1997 | Orgovan | | D26/31 |
| D447,825 S * | 9/2001 | Lee | | D26/28 |
| D472,986 S * | 4/2003 | Kim | | D26/28 |
| D526,430 S * | 8/2006 | Hernandez et al. | | D26/31 |
| D544,112 S * | 6/2007 | Moore | | D26/28 |

* cited by examiner

Primary Examiner — Cynthia Ramirez

Assistant Examiner — Llorellys Martinez-Rivera

(74) *Attorney, Agent, or Firm* — Damian Porcari

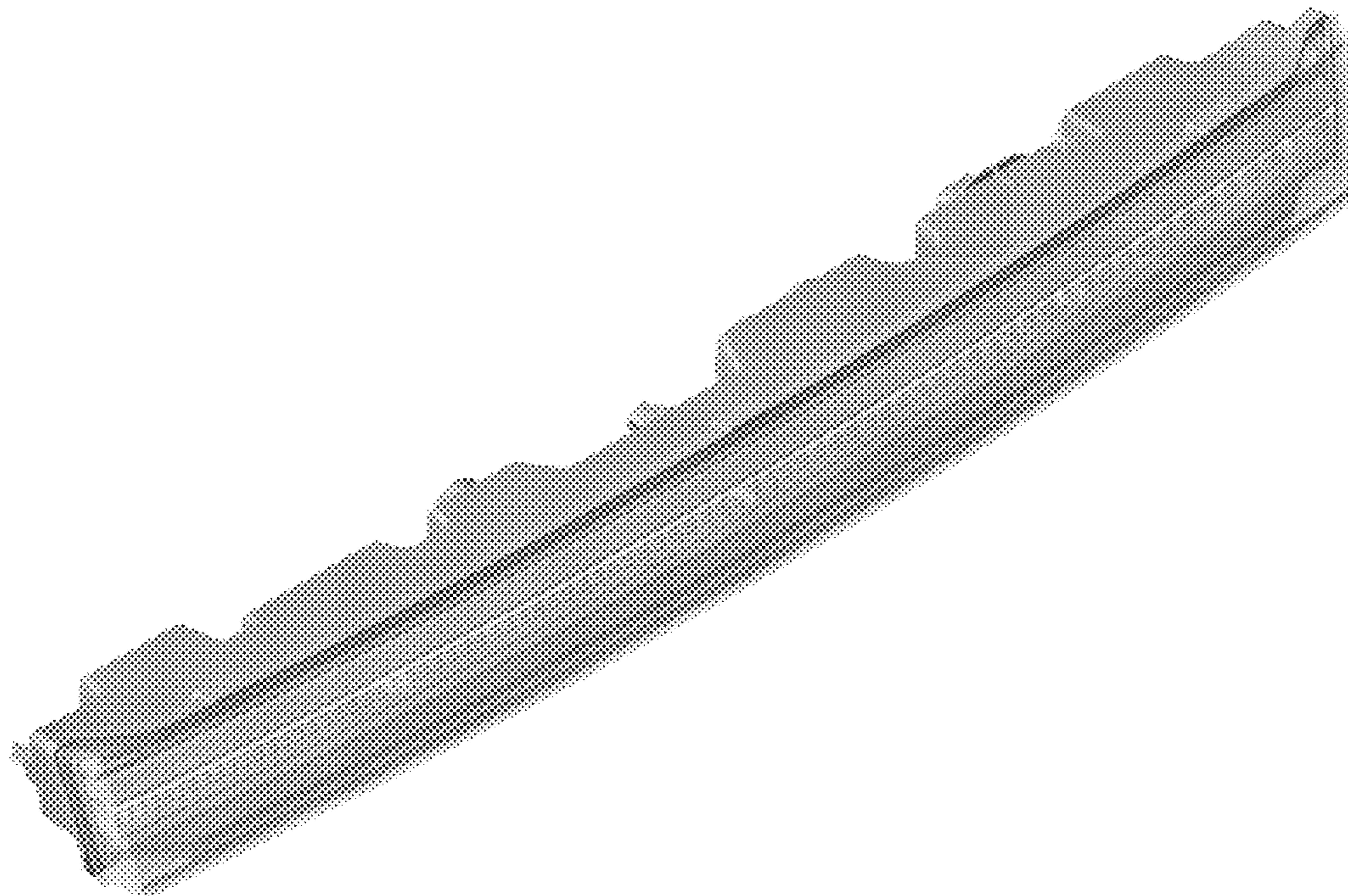
(57) **CLAIM**

The ornamental design for a vehicle tail lamp bar, as shown and described.

DESCRIPTION

FIG. 1 is a perspective view of a vehicle tail lamp bar showing our new design;
FIG. 2 is another perspective view thereof;
FIG. 3 is a front elevational view thereof;
FIG. 4 is a left side elevational view thereof;
FIG. 5 is a right side elevational view thereof;
FIG. 6 is a top plan view thereof; and,
FIG. 7 is a bottom plan view thereof.

1 Claim, 7 Drawing Sheets



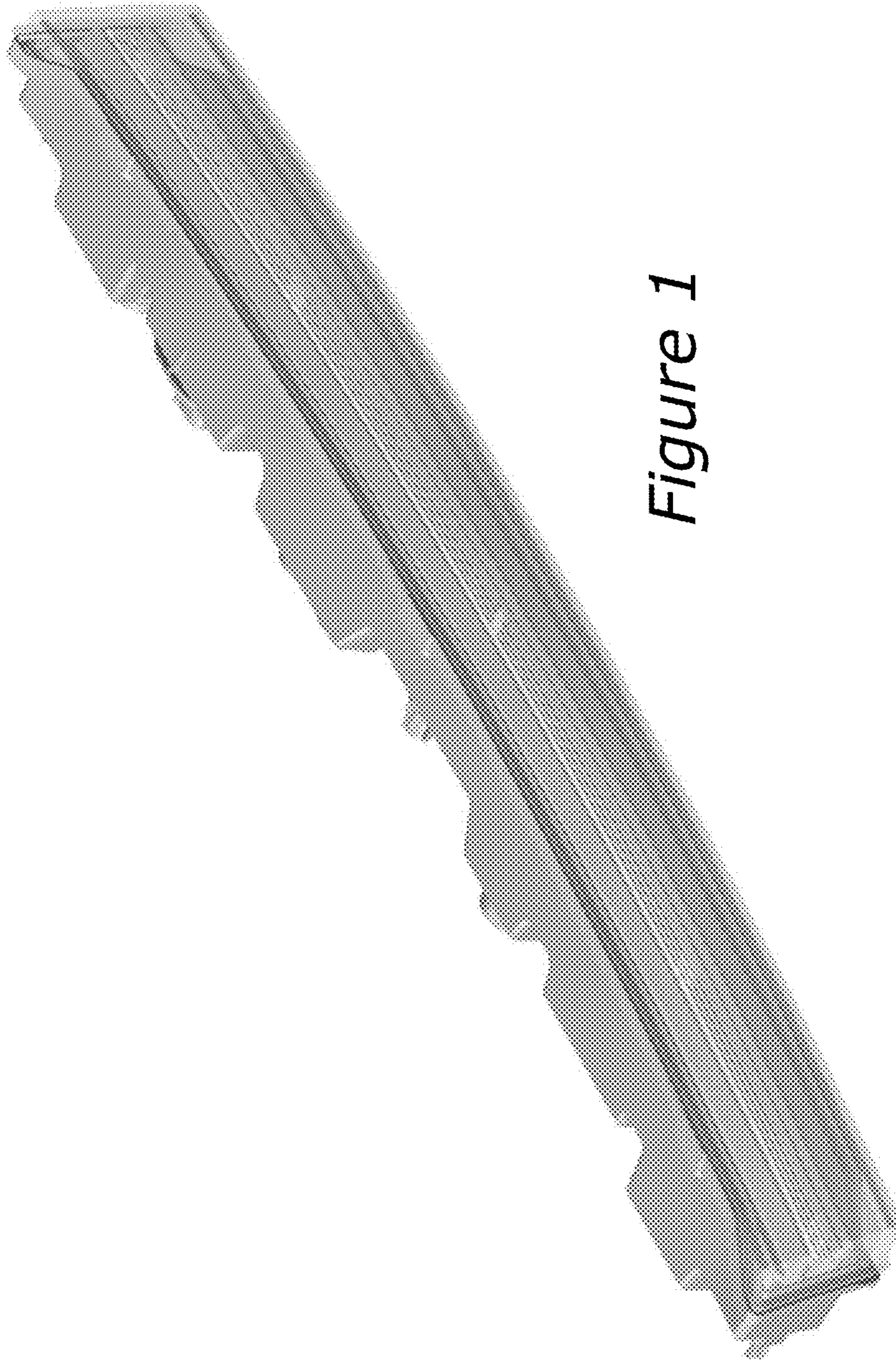


Figure 1

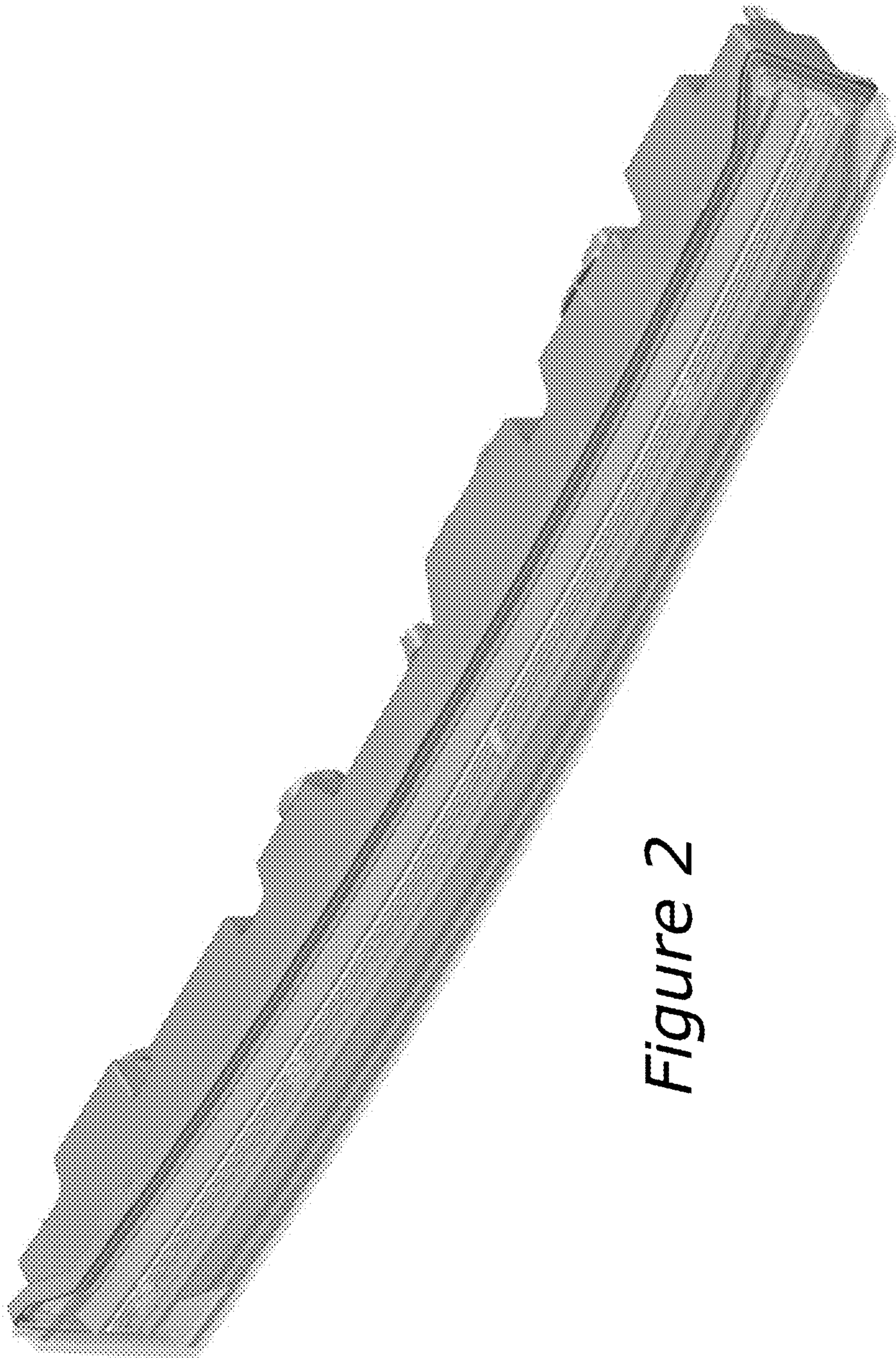


Figure 2

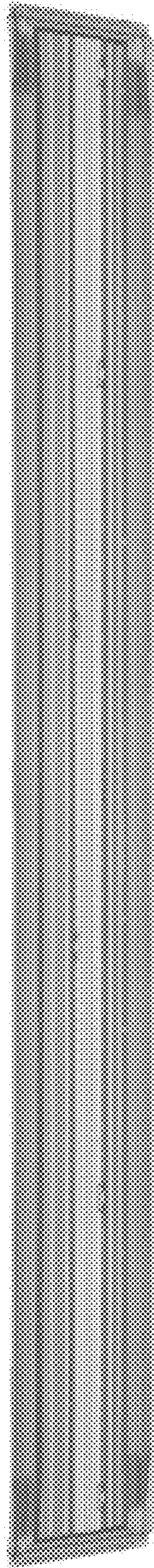


Figure 3

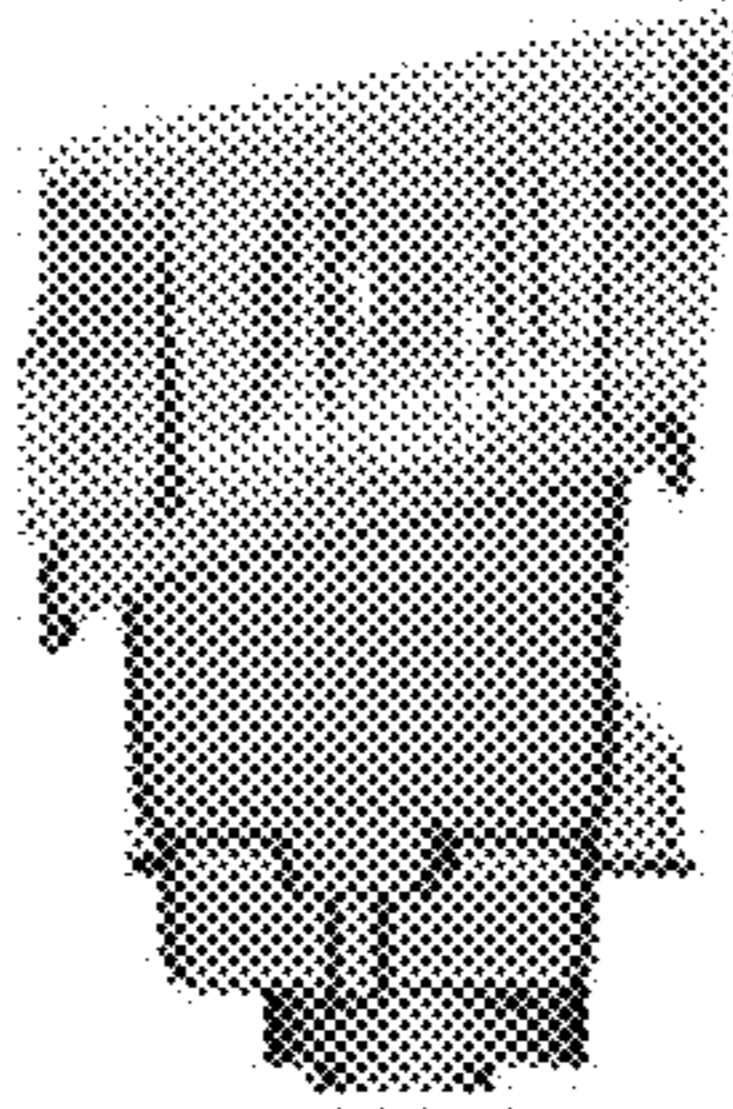


Figure 4

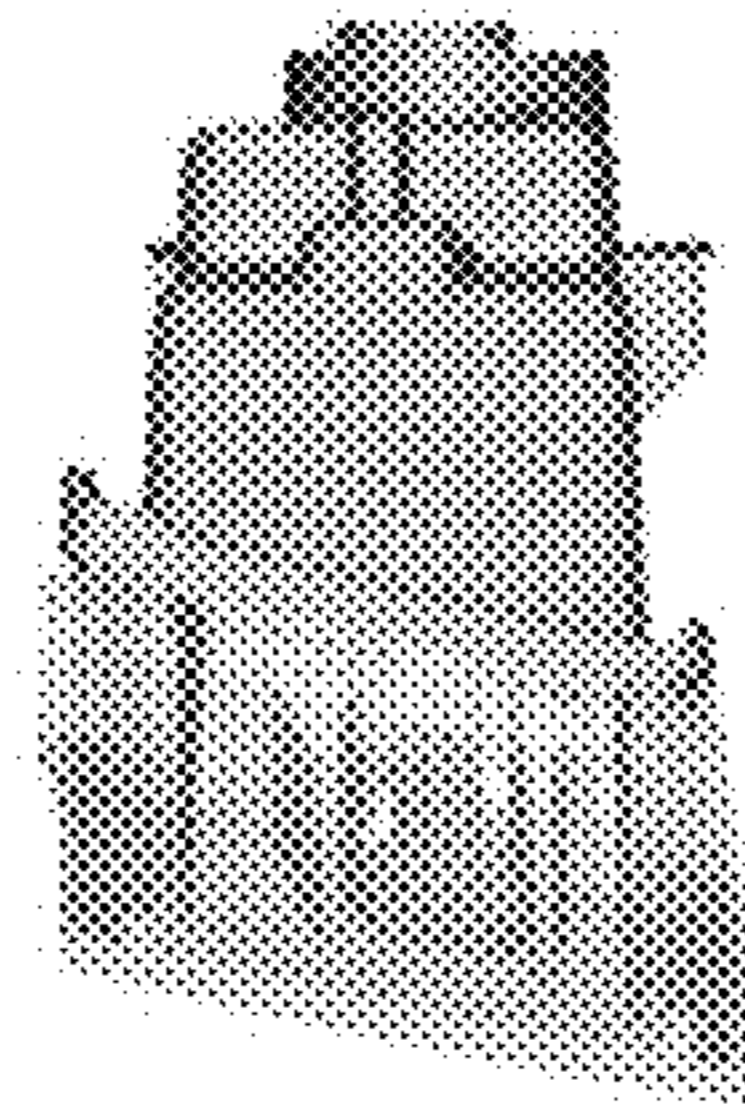


Figure 5

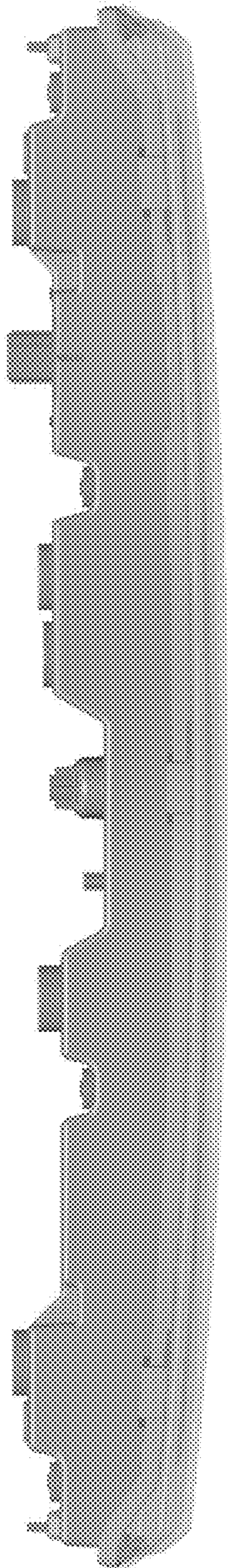


Figure 6

Figure 7

