

US00D738550S

(12) **United States Design Patent**  
**Diephuis et al.**

(10) **Patent No.:** **US D738,550 S**  
(45) **Date of Patent:** **\*\* Sep. 8, 2015**

(54) **VEHICLE TAIL LAMP**

(71) Applicant: **Ford Motor Company**, Dearborn, MI (US)

(72) Inventors: **Jesse R. Diephuis**, West Bloomfield, MI (US); **David C. Mahoney**, Orchard Lake, MI (US); **Christopher Hamilton**, Cold Norton (GB)

(73) Assignee: **Ford Motor Company**, Dearborn, MI (US)

(\*\*) Term: **14 Years**

(21) Appl. No.: **29/491,445**

(22) Filed: **May 21, 2014**

(51) **LOC (10) Cl.** ..... **26-06**

(52) **U.S. Cl.**  
USPC ..... **D26/28**

(58) **Field of Classification Search**  
USPC ..... D26/28-36; 362/459-468, 475-478, 362/485-487  
CPC ... F21S 48/1159; F21S 48/00; F21S 48/1241; F21S 48/10; F21S 48/1329; F21S 48/20; F21S 48/2225; F21S 48/1266

See application file for complete search history.

(56) **References Cited**

U.S. PATENT DOCUMENTS

D598,584 S *	8/2009	Blasi .....	D26/28
D701,631 S *	3/2014	Goto .....	D26/28
D704,366 S *	5/2014	Saracoglu .....	D26/28
D712,573 S *	9/2014	Borkert .....	D26/28
D720,872 S *	1/2015	Lim et al. ....	D26/28
2014/0160739 A1 *	6/2014	Hiesl et al. ....	362/249.06
2014/0334173 A1 *	11/2014	Dassanayake et al. ....	362/518

\* cited by examiner

*Primary Examiner* — Cynthia Ramirez

*Assistant Examiner* — Llorellys Martinez-Rivera

(74) *Attorney, Agent, or Firm* — Damian Porcari

(57) **CLAIM**

The ornamental design for a vehicle tail lamp, as shown and described.

**DESCRIPTION**

FIG. 1 is a left side perspective view of a vehicle tail lamp showing our new design;

FIG. 2 is another perspective view thereof;

FIG. 3 is a front elevational view thereof;

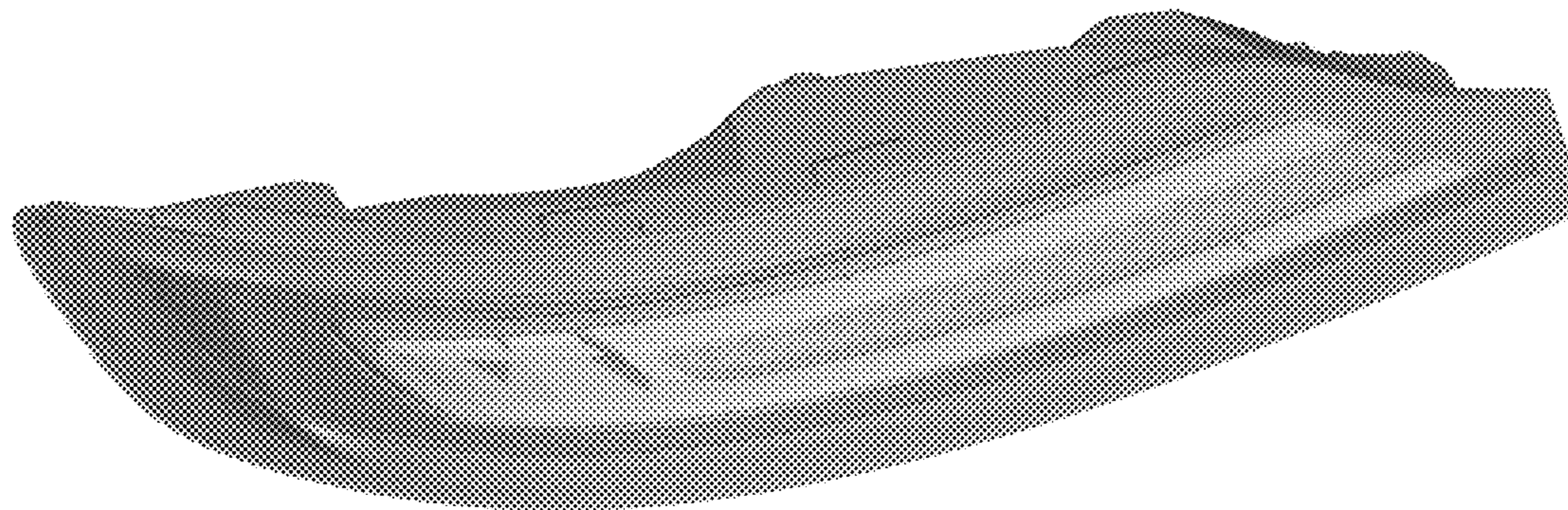
FIG. 4 is a left side elevational view thereof;

FIG. 5 is right side elevational view thereof;

FIG. 6 is a top plan view thereof; and,

FIG. 7 is a bottom plan view thereof.

**1 Claim, 7 Drawing Sheets**



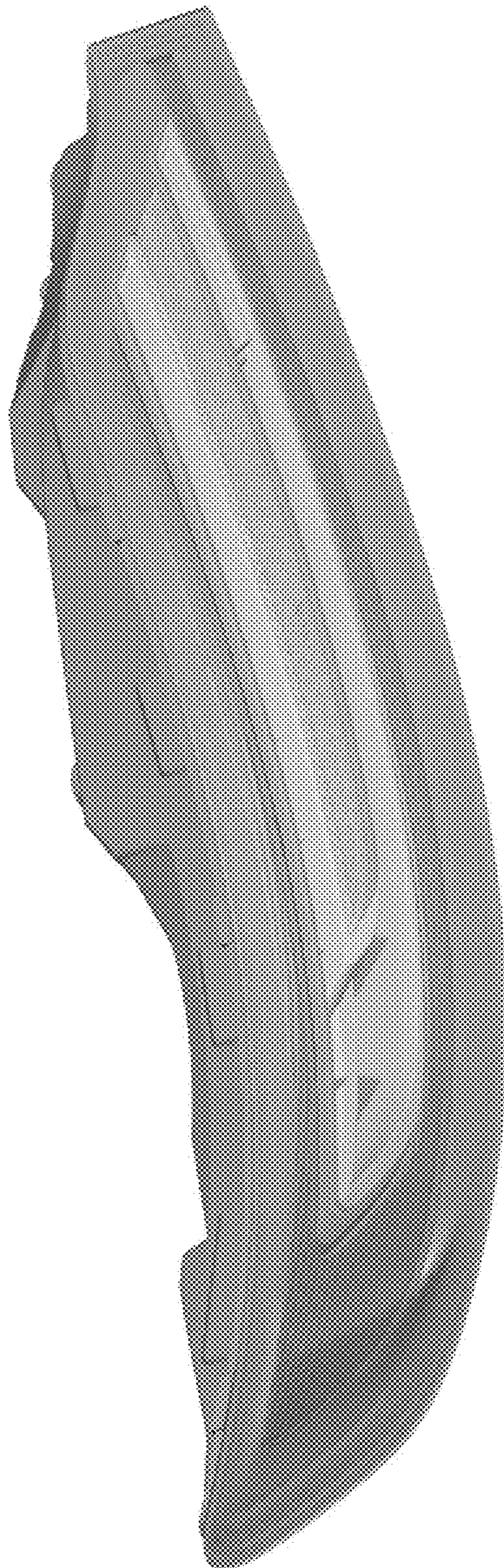
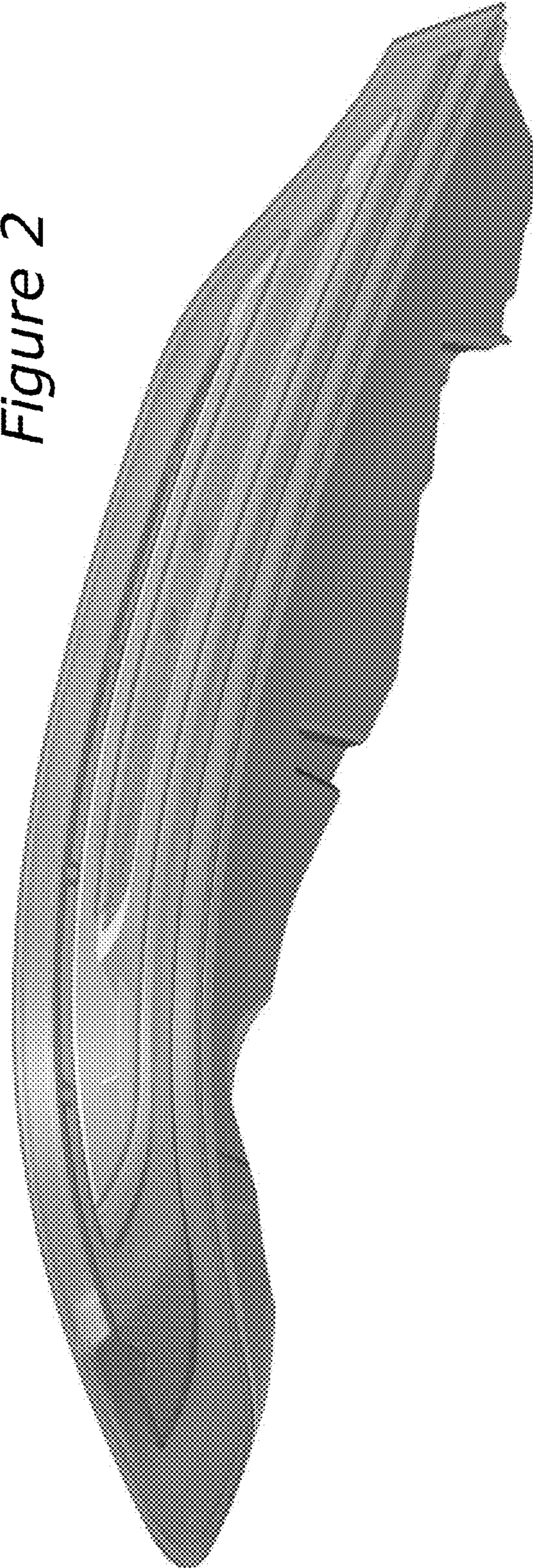


Figure 1

Figure 2



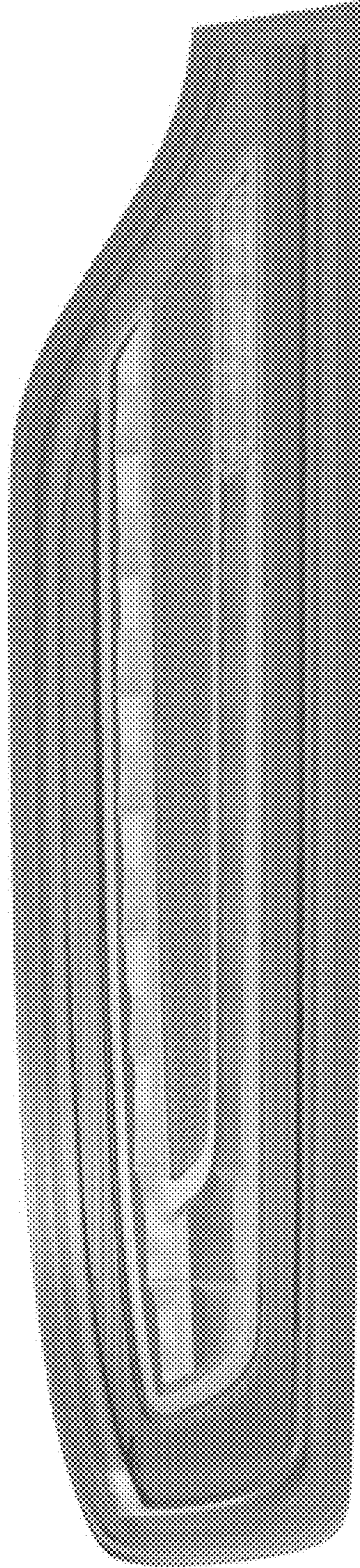


Figure 3

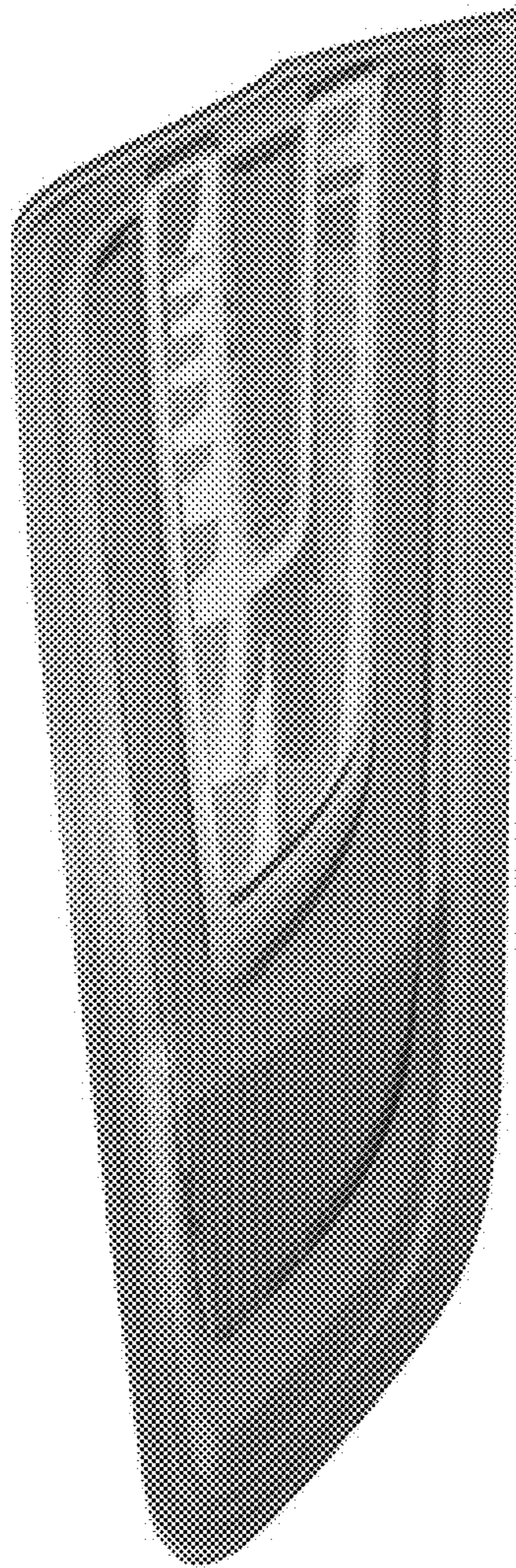


Figure 4

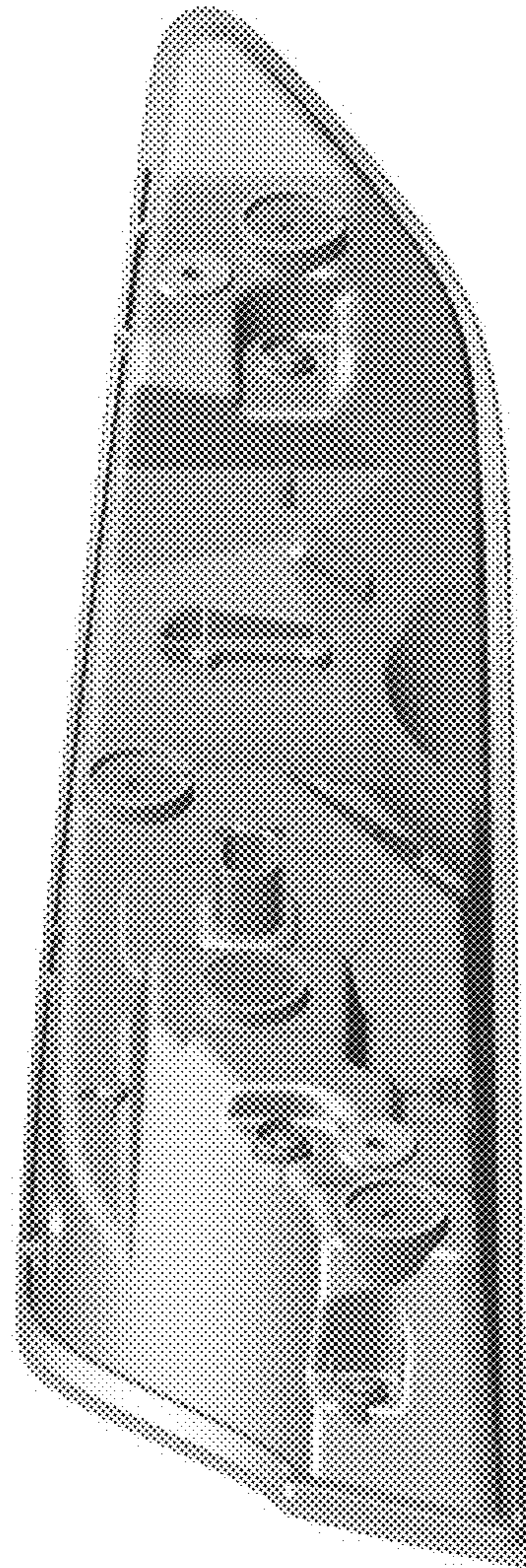


Figure 5

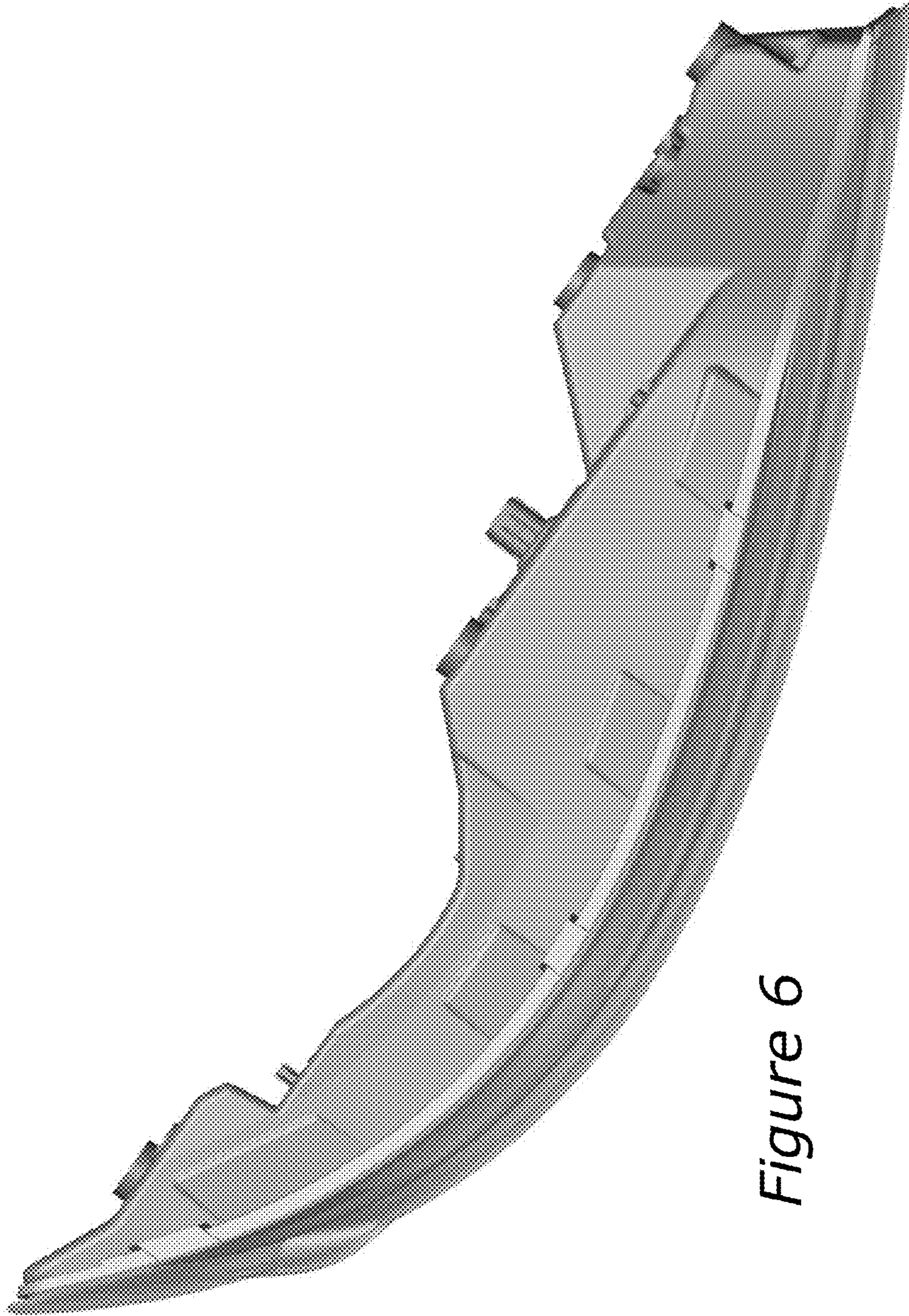


Figure 6

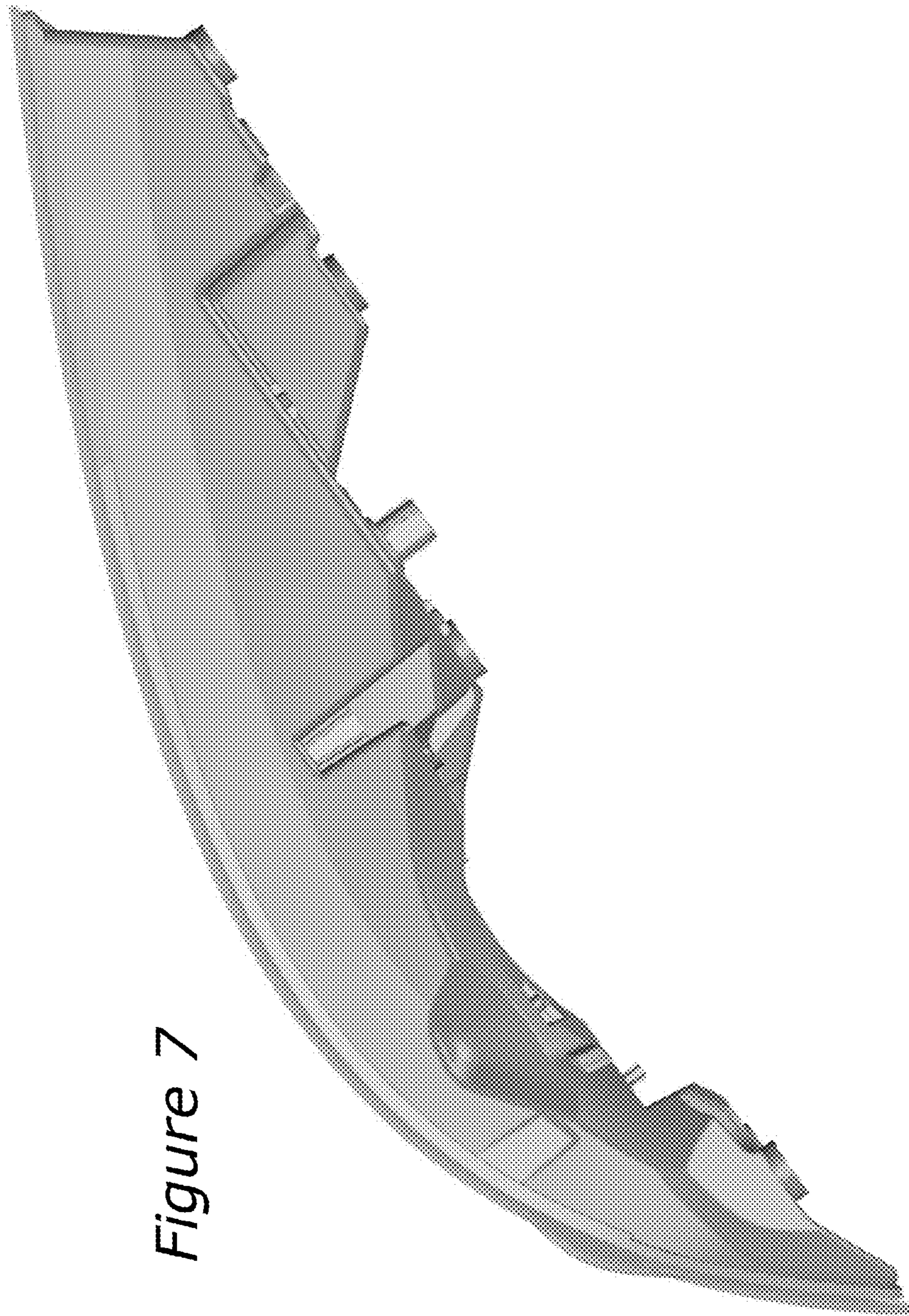


Figure 7