



US00D738549S

(12) **United States Design Patent**
Gotschke et al.

(10) **Patent No.:** **US D738,549 S**

(45) **Date of Patent:** **** Sep. 8, 2015**

(54) **VEHICLE TAIL LAMP**

(71) Applicant: **Ford Motor Company**, Dearborn, MI
(US)

(72) Inventors: **Wolfgang Gotschke**, Cologne (DE);
Uwe Pulver, Cologne (DE)

(73) Assignee: **Ford Motor Company**, Dearborn, MI
(US)

(**) Term: **14 Years**

(21) Appl. No.: **29/486,024**

(22) Filed: **Mar. 26, 2014**

(51) **LOC (10) Cl.** **26-06**

(52) **U.S. Cl.**
USPC **D26/28**

(58) **Field of Classification Search**
USPC D26/28-36; 362/459-468, 475-478,
362/485-487
CPC ... F21S 48/1159; F21S 48/00; F21S 48/1241;
F21S 48/10; F21S 48/1329; F21S 48/20;
F21S 48/2225; F21S 48/1266

See application file for complete search history.

(56) **References Cited**

U.S. PATENT DOCUMENTS

D605,793	S	*	12/2009	Weil	D26/28
D635,700	S	*	4/2011	Kim et al.	D26/28
D690,447	S	*	9/2013	Endo et al.	D26/28
D696,442	S	*	12/2013	Kim et al.	D26/28
D704,872	S	*	5/2014	Binder et al.	D26/28
D716,978	S	*	11/2014	Selvaag	D26/28
D720,484	S	*	12/2014	Nordmann	D26/28
D720,873	S	*	1/2015	Lim et al.	D26/28
D722,711	S	*	2/2015	Gotschke	D26/28

* cited by examiner

Primary Examiner — Cynthia Ramirez

Assistant Examiner — Llorelys Martinez-Rivera

(74) *Attorney, Agent, or Firm* — Damian Porcari

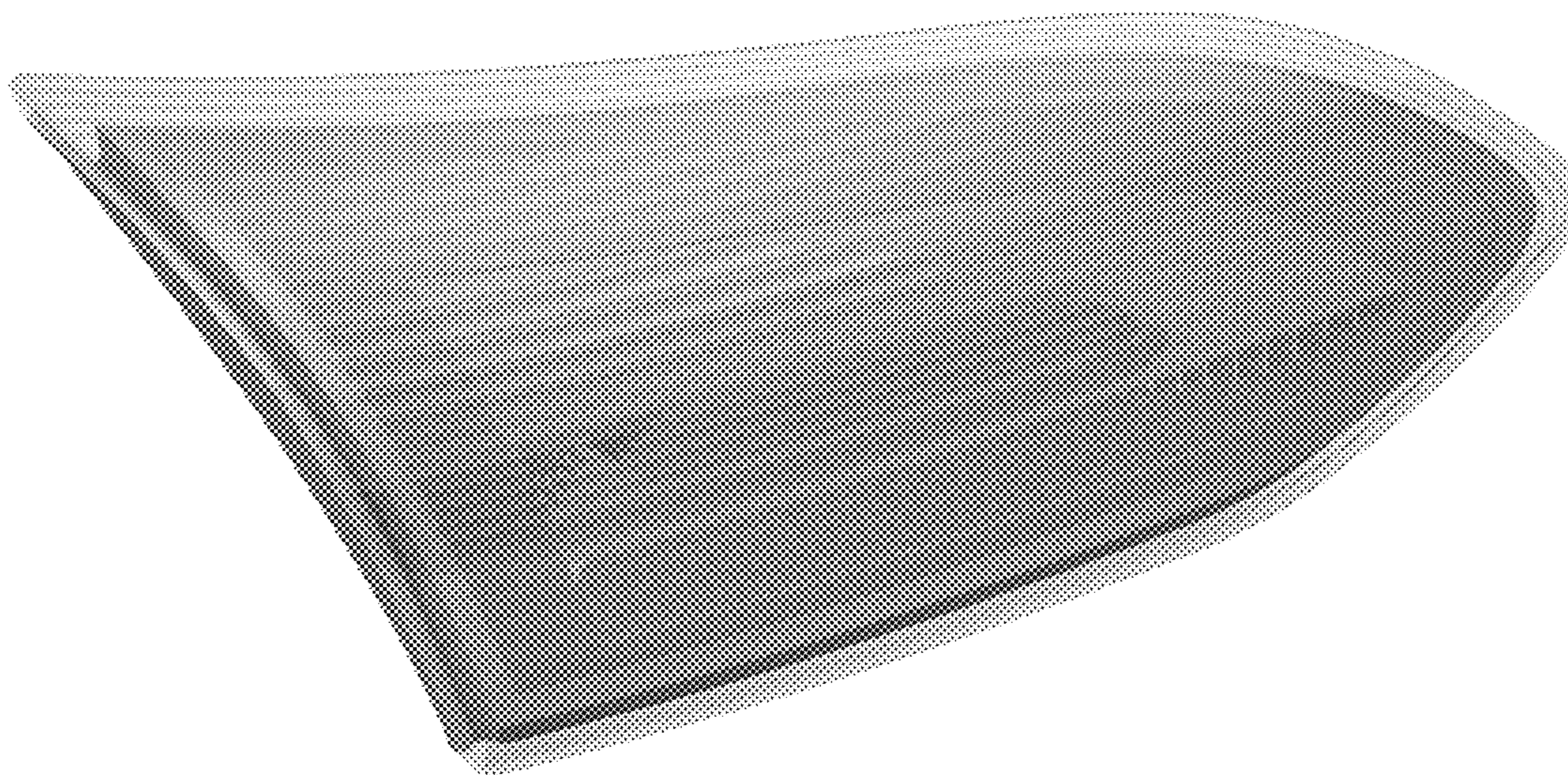
(57) **CLAIM**

The ornamental design for a vehicle tail lamp, as shown and described.

DESCRIPTION

FIG. 1 is a perspective view of a left vehicle tail lamp showing our new design;
FIG. 2 is another perspective view thereof;
FIG. 3 is a front elevational view thereof;
FIG. 4 is a left side elevational view thereof;
FIG. 5 is a right side elevational view thereof;
FIG. 6 is a top plan view thereof; and,
FIG. 7 is a bottom plan view thereof.

1 Claim, 7 Drawing Sheets



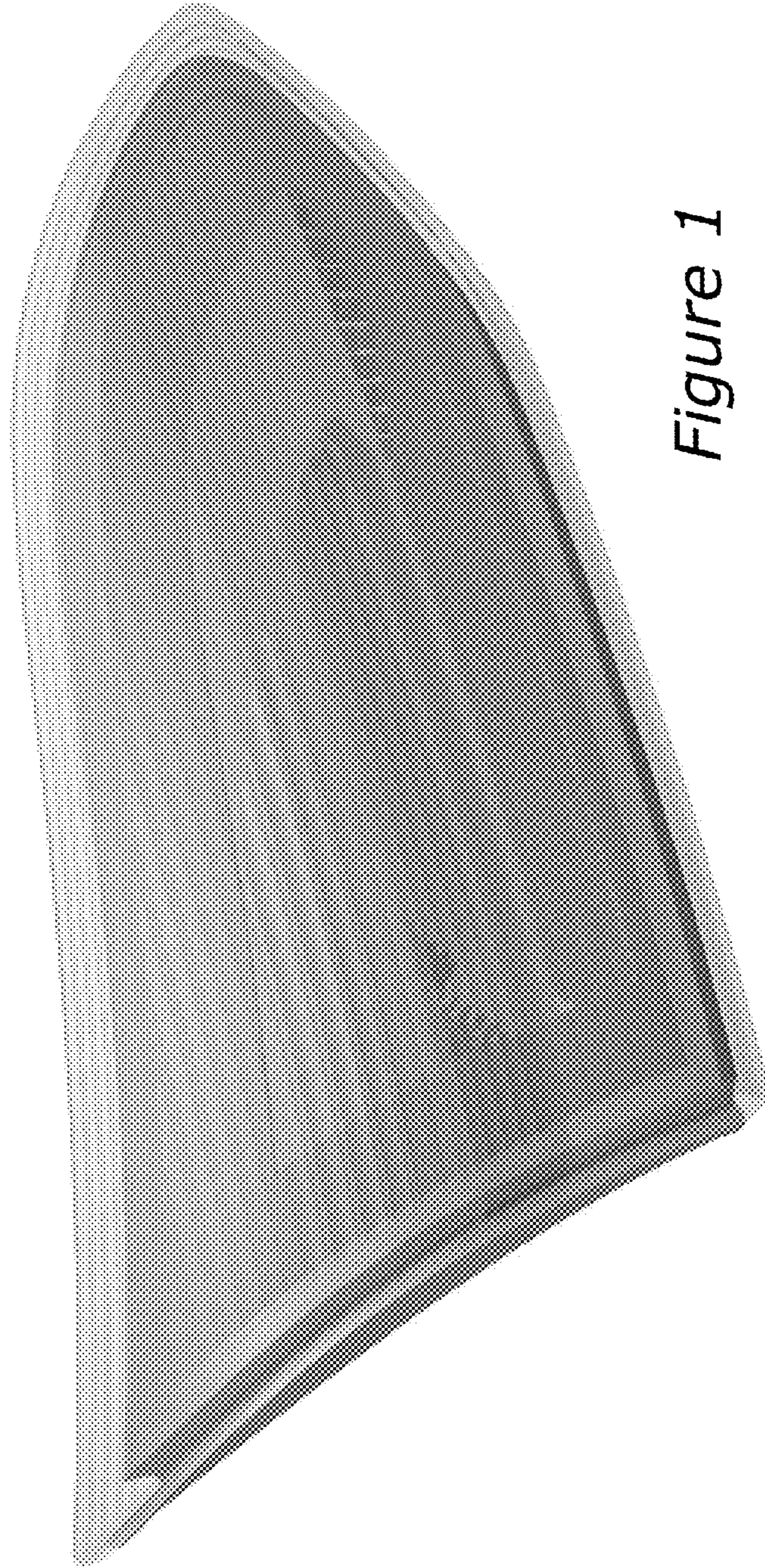
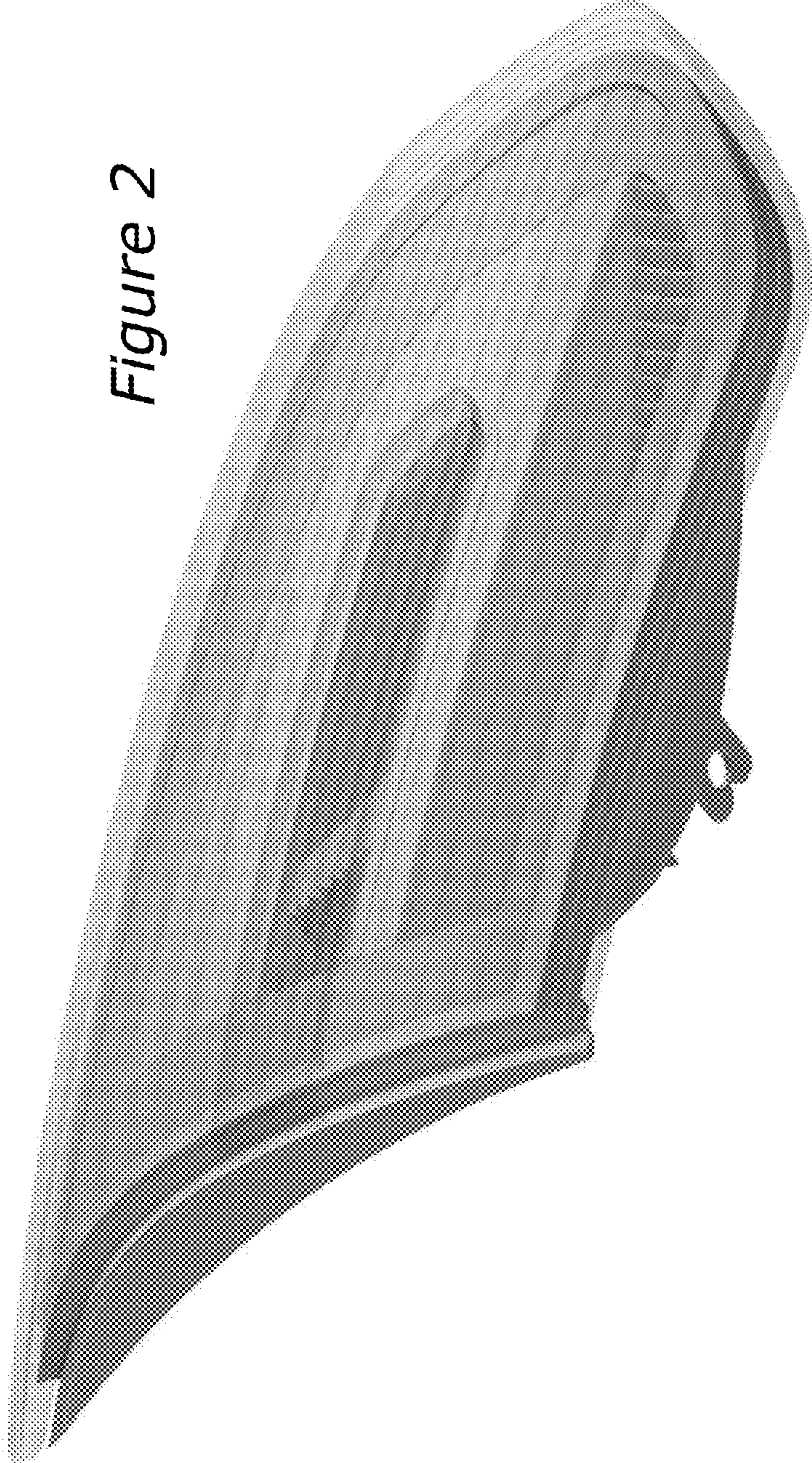


Figure 1

Figure 2



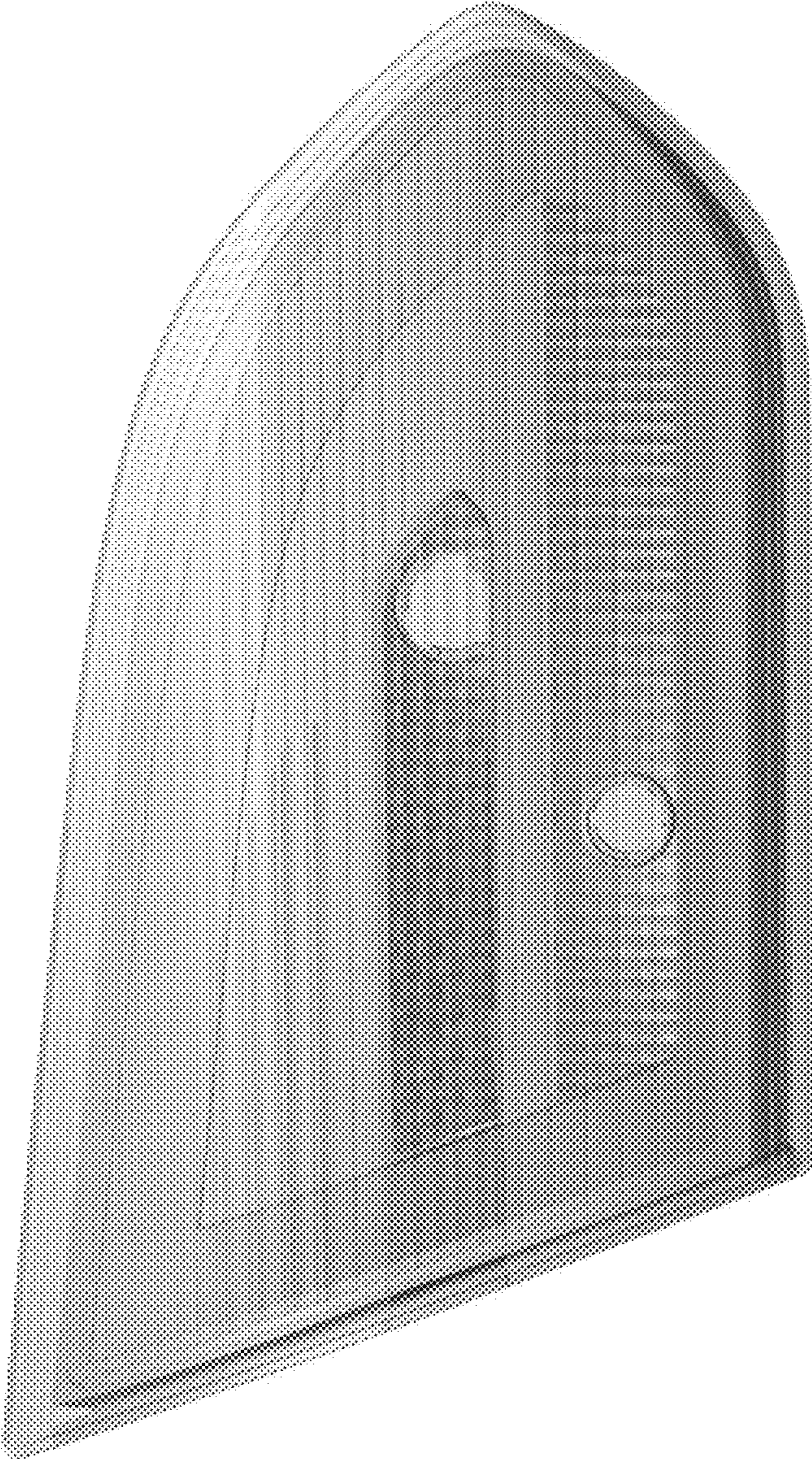


Figure 3

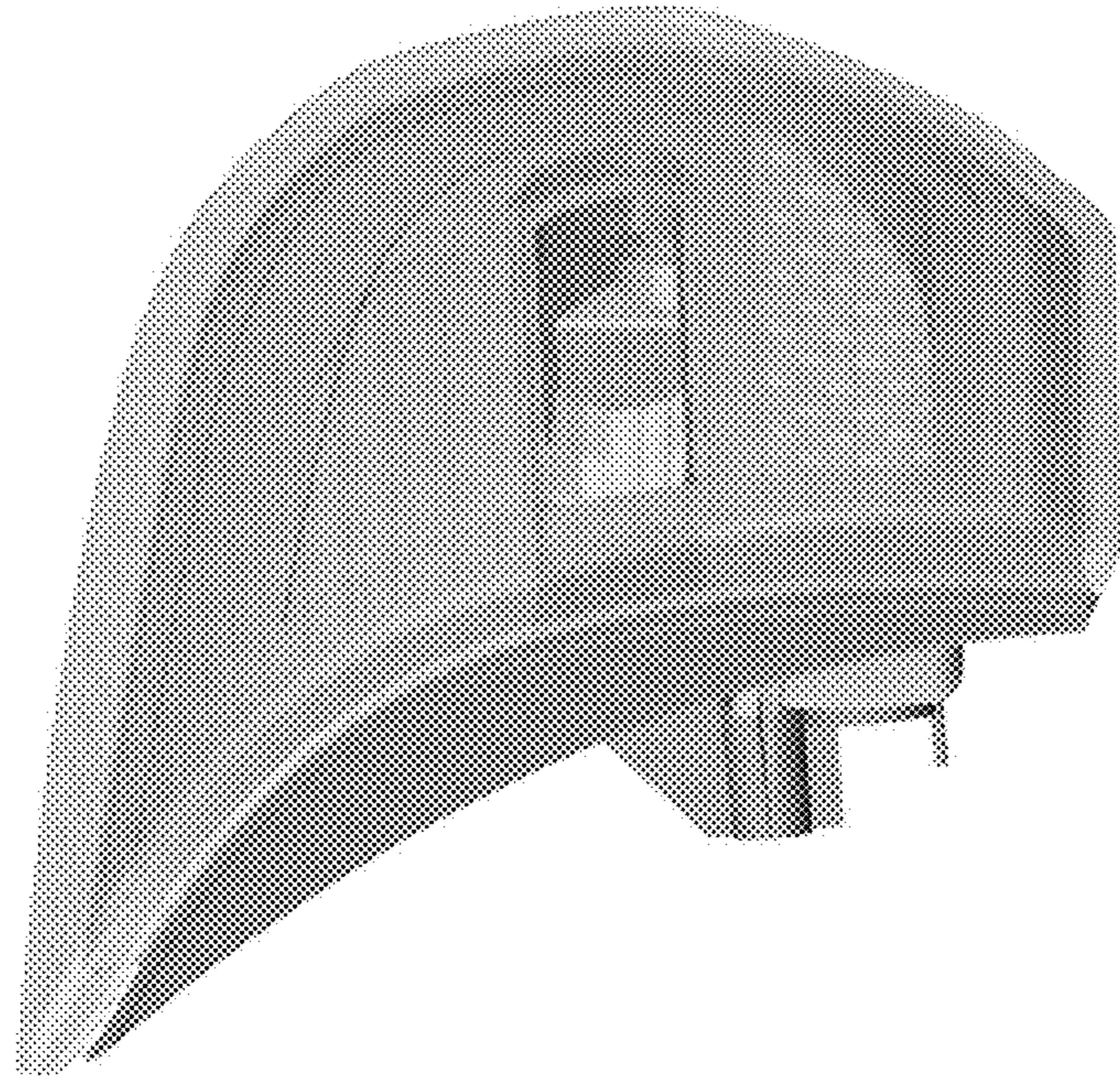


Figure 4

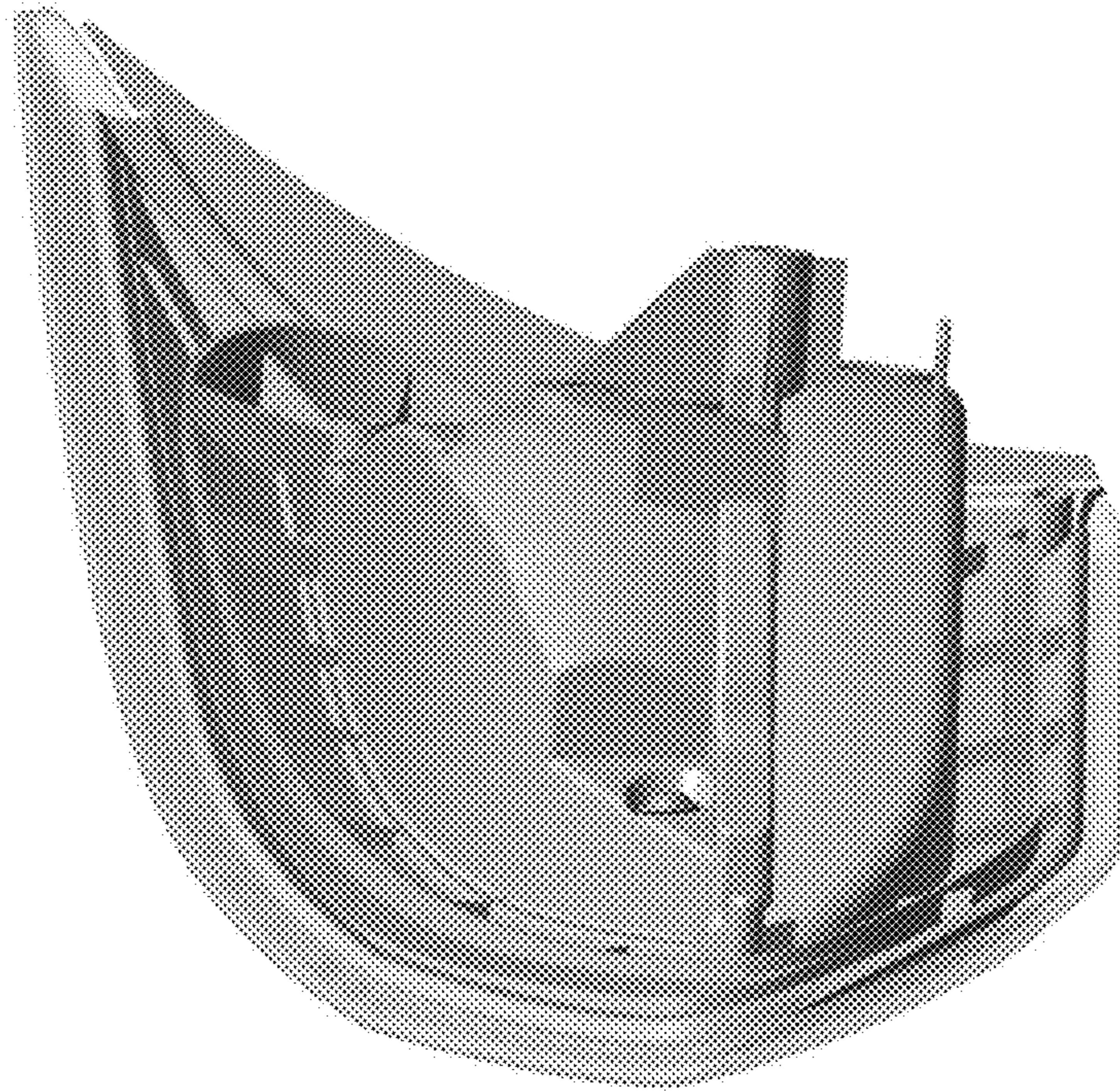


Figure 5

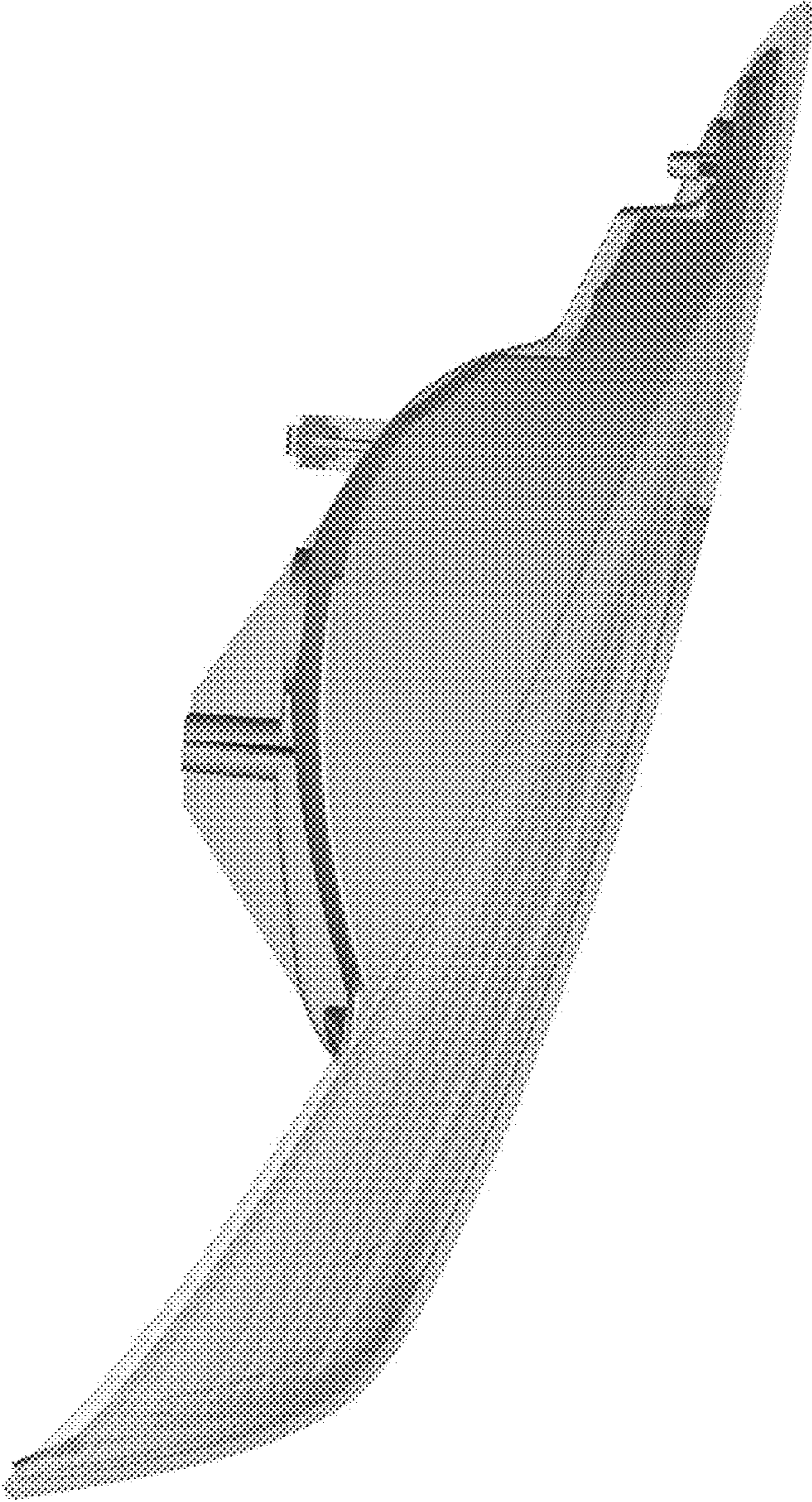


Figure 6

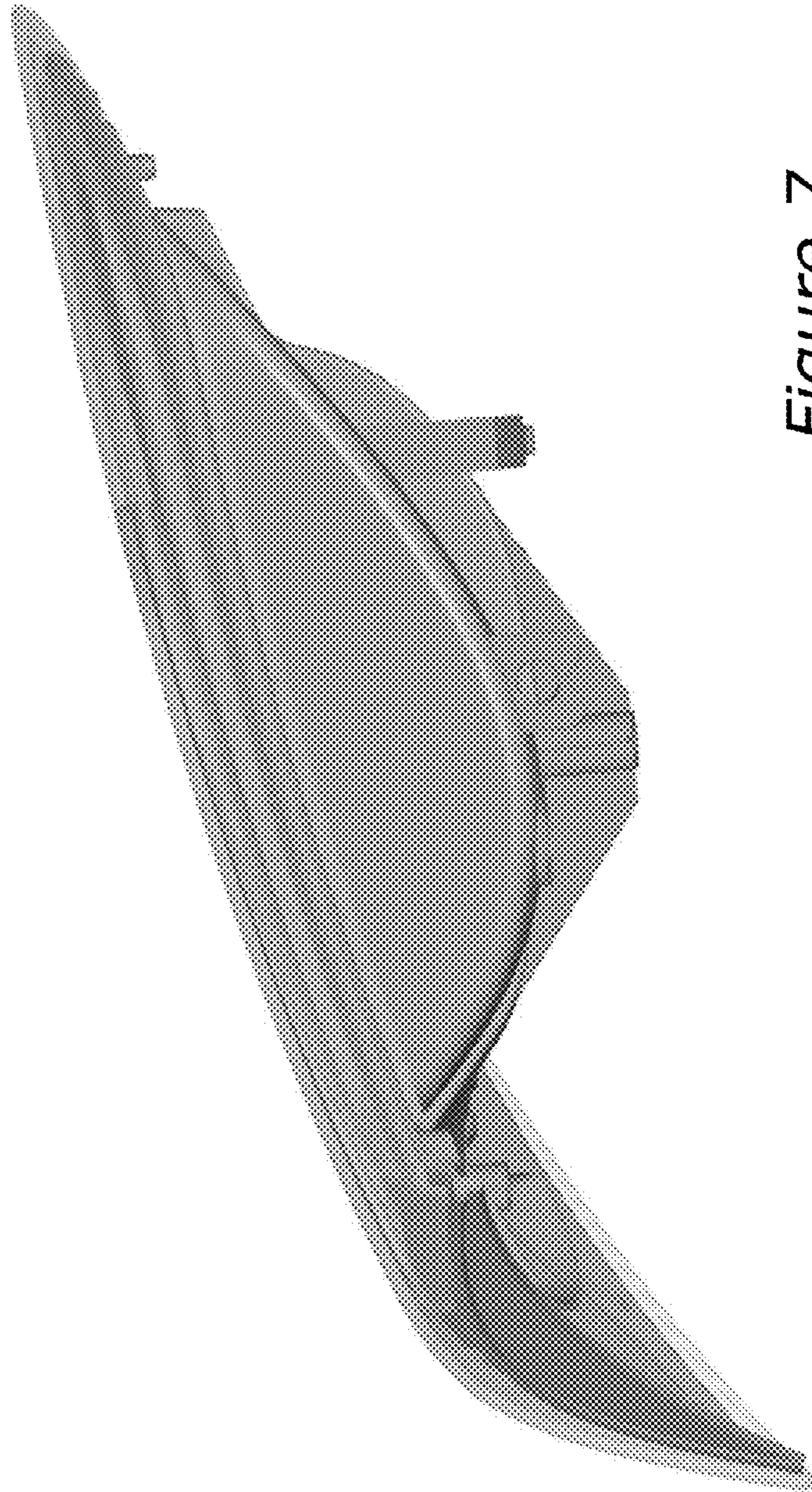


Figure 7