



US00D738548S

(12) **United States Design Patent**
Chen

(10) **Patent No.:** **US D738,548 S**
(45) **Date of Patent:** **** Sep. 8, 2015**

(54) **CLEARANCE SIDEMARKER AND IDENTIFICATION LIGHT**

- (71) Applicant: **Chun-Chih Chen**, Tainan (TW)
- (72) Inventor: **Chun-Chih Chen**, Tainan (TW)
- (73) Assignee: **LUCIDITY ENTERPRISE CO., LTD.**,
Annan District, Tainan (TW)
- (**) Term: **14 Years**
- (21) Appl. No.: **29/471,755**
- (22) Filed: **Nov. 5, 2013**
- (51) **LOC (10) CL.** **26-06**
- (52) **U.S. CL.**
USPC **D26/28**
- (58) **Field of Classification Search**
USPC D26/28-36, 61, 71, 118-119, 139;
362/459-468, 475-478, 485-487
CPC B60Q 1/32; B60Q 1/2607; B60Q 1/26
See application file for complete search history.

(56) **References Cited**

U.S. PATENT DOCUMENTS

D420,302 S *	2/2000	Barnhart	D26/28
D511,220 S *	11/2005	Lin	D26/28
D519,232 S *	4/2006	Columbro	D26/28
D548,375 S *	8/2007	Huang	D26/28
D556,351 S *	11/2007	Tsai	D26/28
D561,361 S *	2/2008	Pan et al.	D26/28
D716,976 S *	11/2014	Merovitz et al.	D26/28

* cited by examiner

Primary Examiner — Wan Laymon

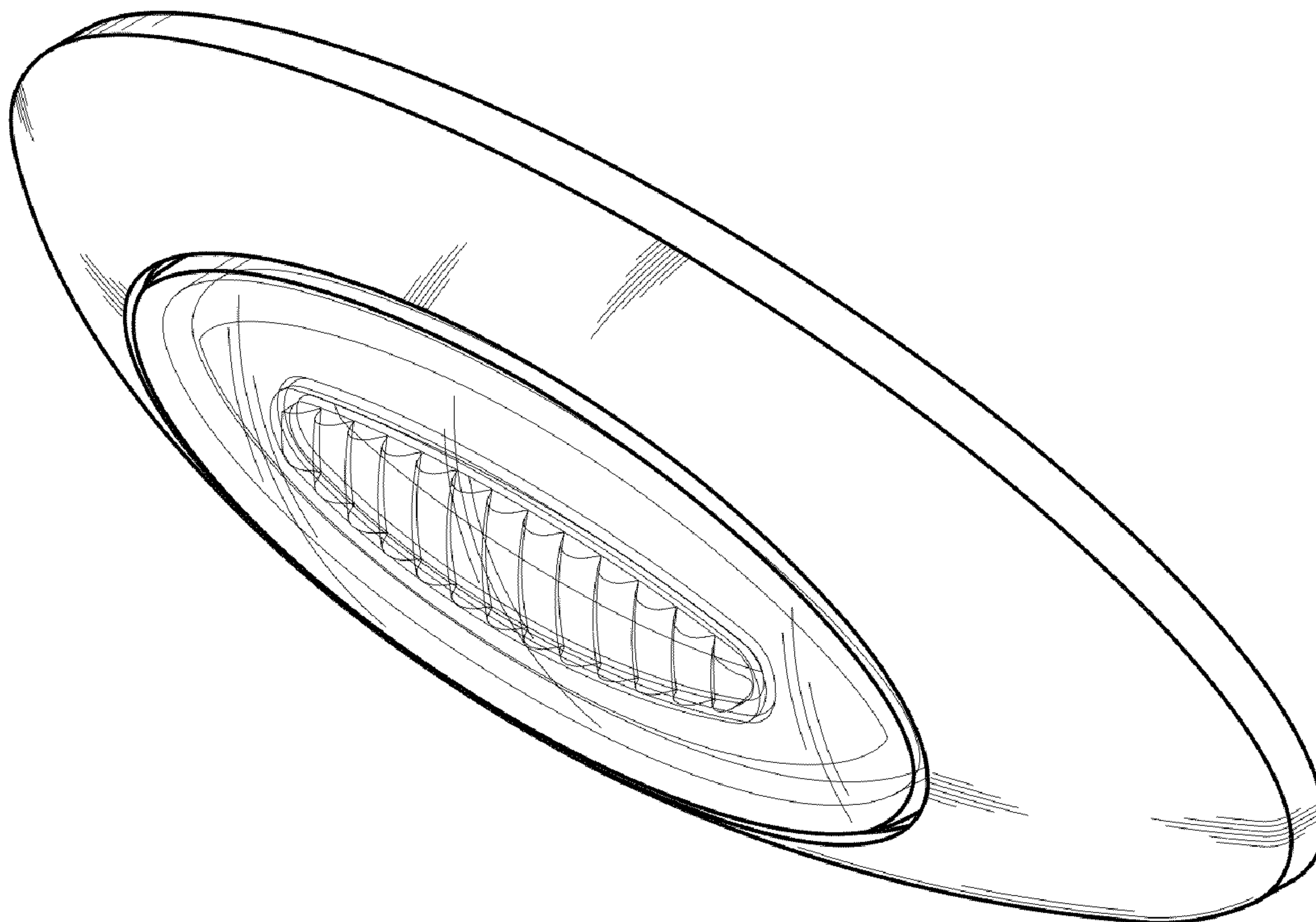
(57) **CLAIM**

The ornamental design for a clearance sidemarker and identification light, as shown and described.

DESCRIPTION

FIG. 1 is a perspective view of a clearance sidemarker and identification light showing my design;
 FIG. 2 is a front elevational view thereof;
 FIG. 3 is a rear elevational view thereof;
 FIG. 4 is a left side elevational view thereof;
 FIG. 5 is a right side elevational view thereof;
 FIG. 6 is a top plan view thereof; and,
 FIG. 7 is a bottom plan view thereof.
 The ornamental design which is claimed is shown in solid lines in the drawings.

1 Claim, 5 Drawing Sheets



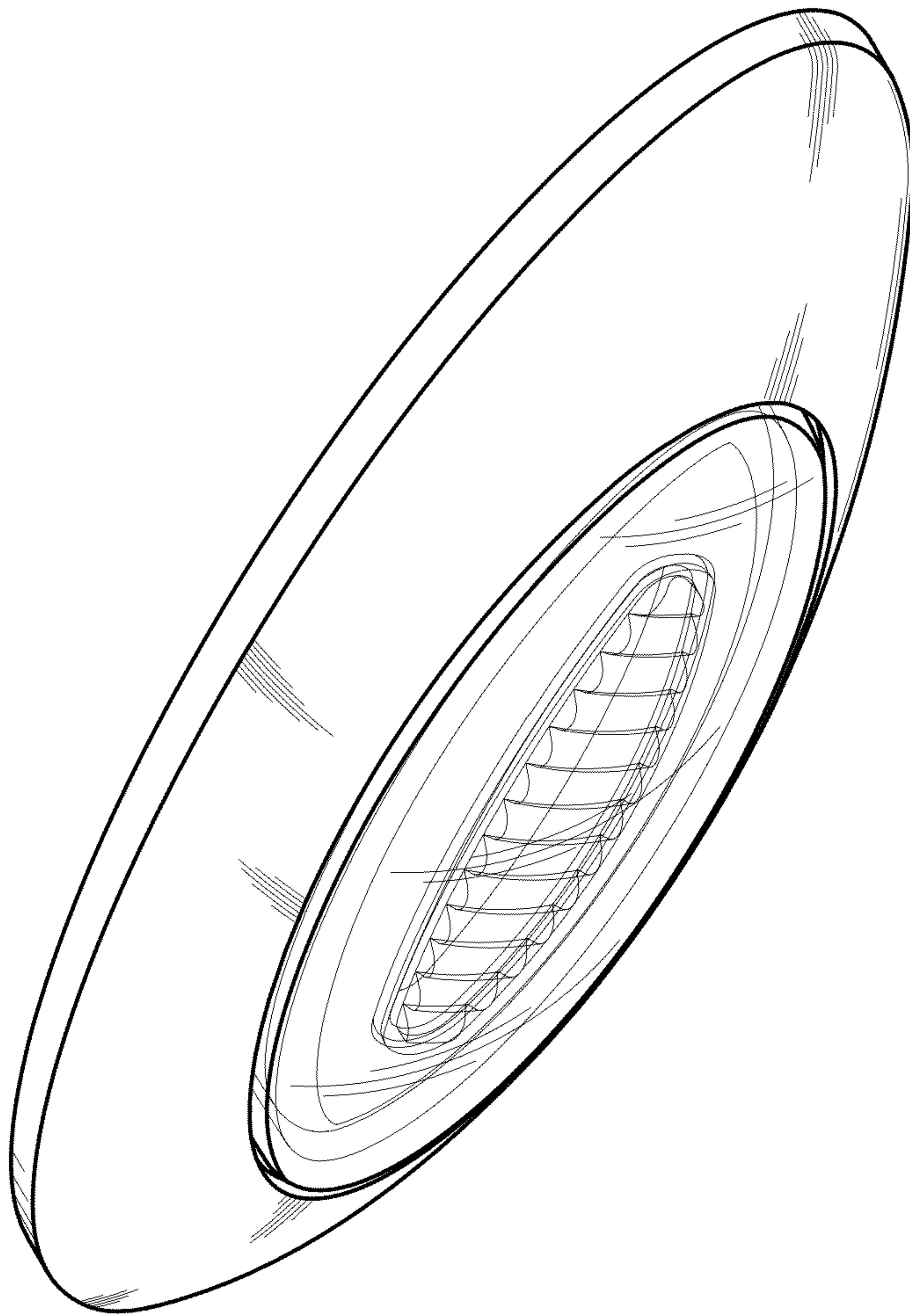


FIG.1

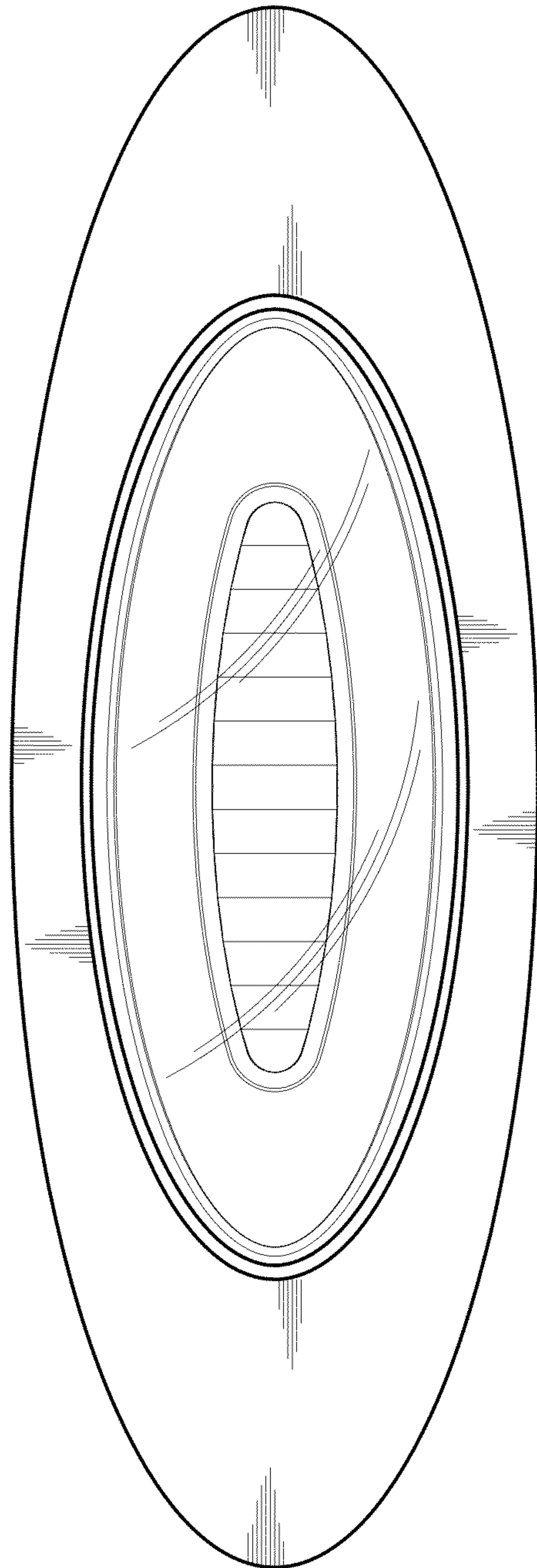


FIG.2

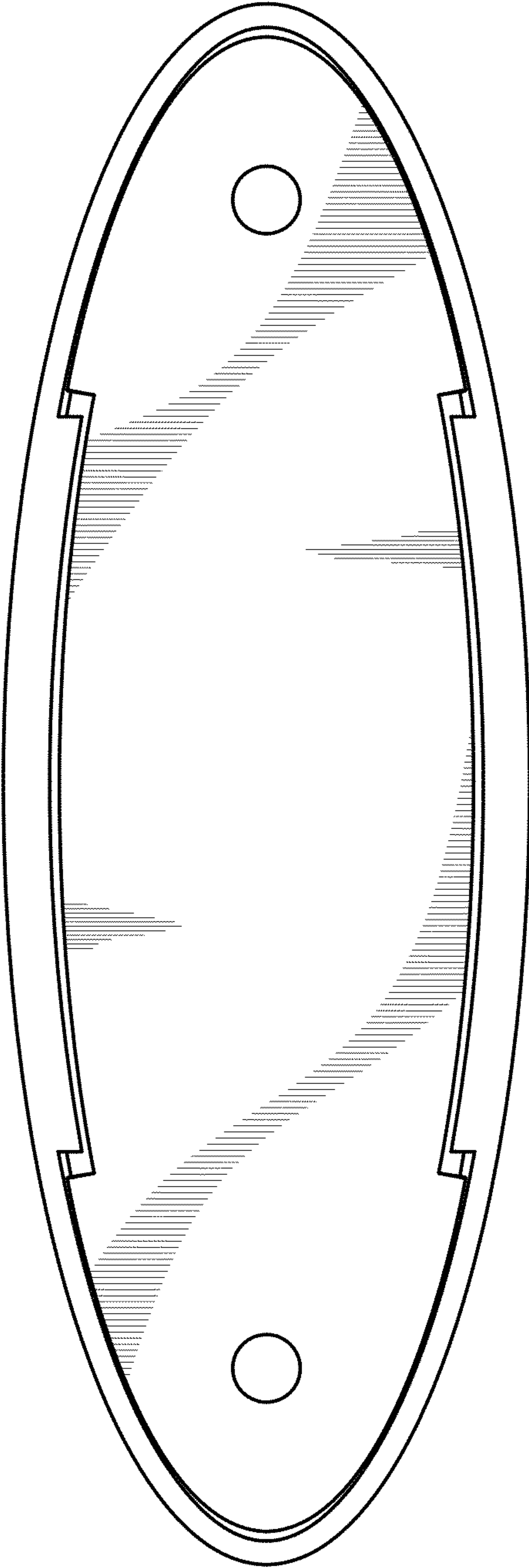


FIG.3

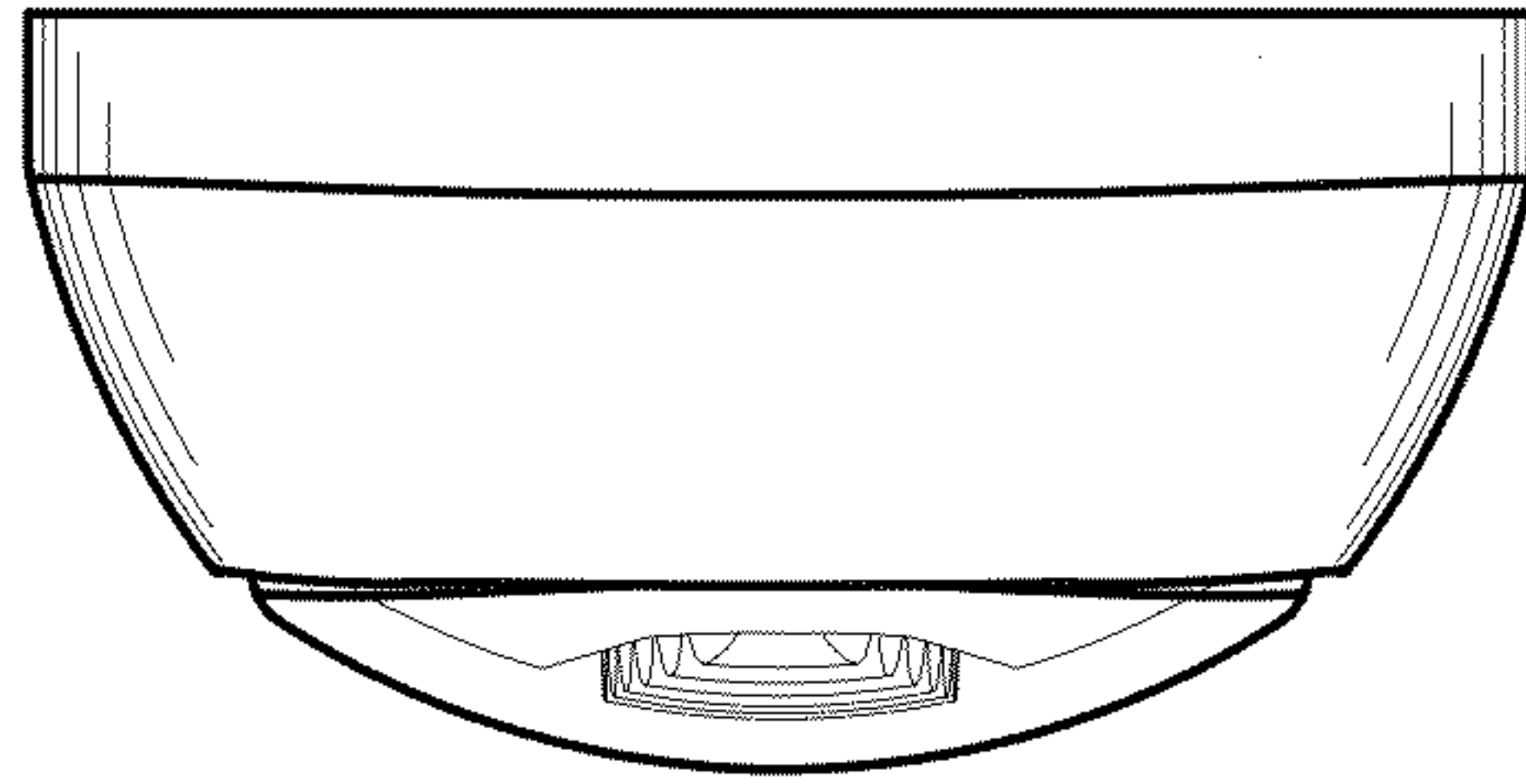


FIG. 5

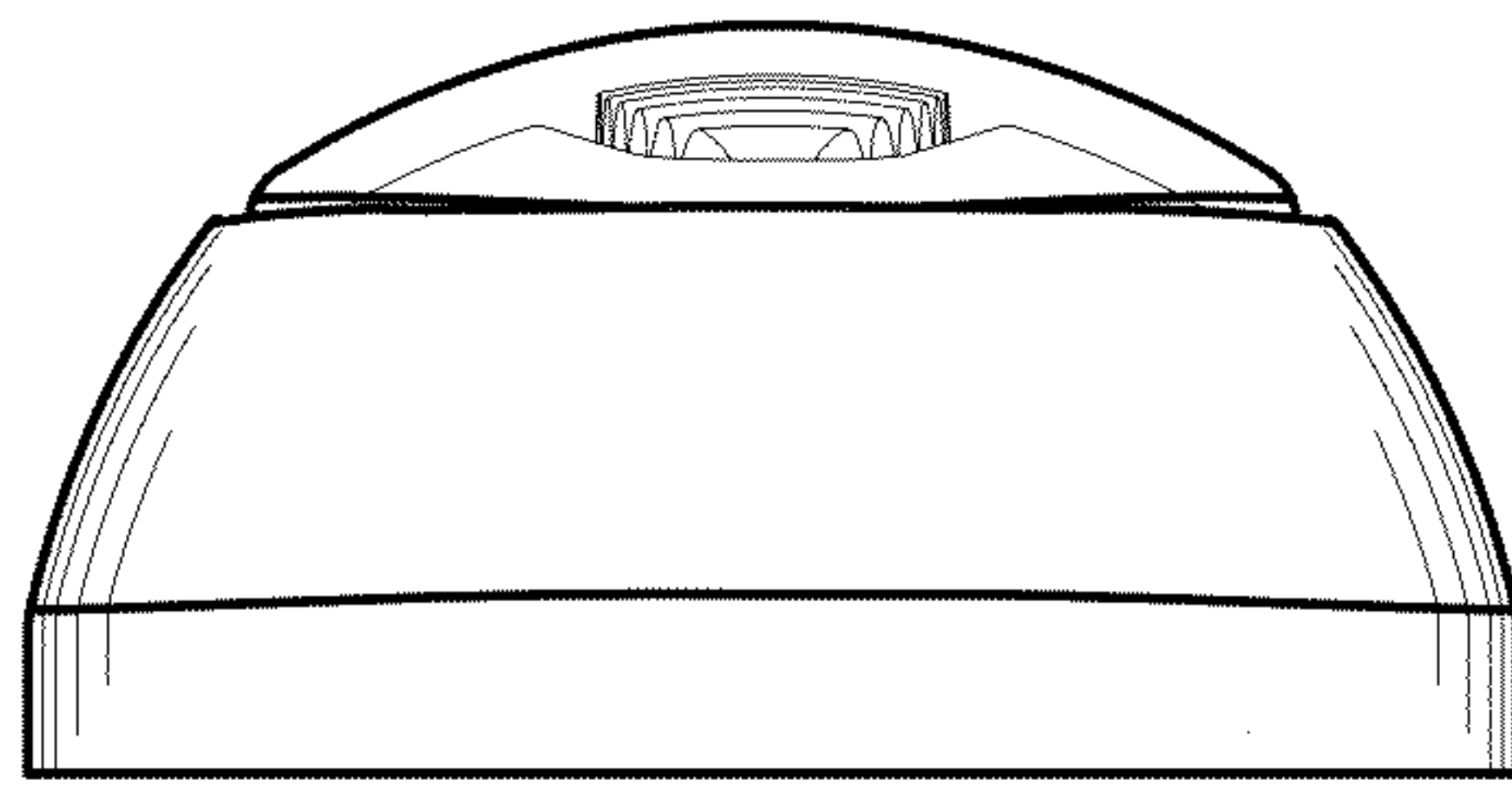


FIG. 4

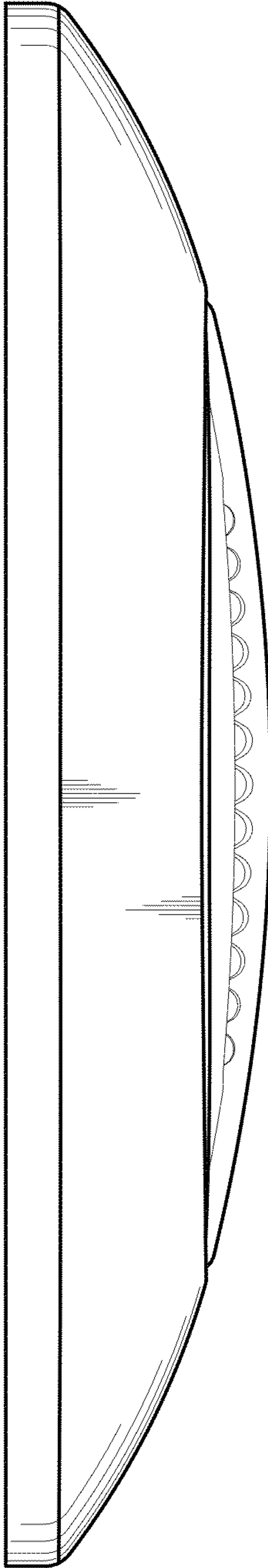


FIG. 6

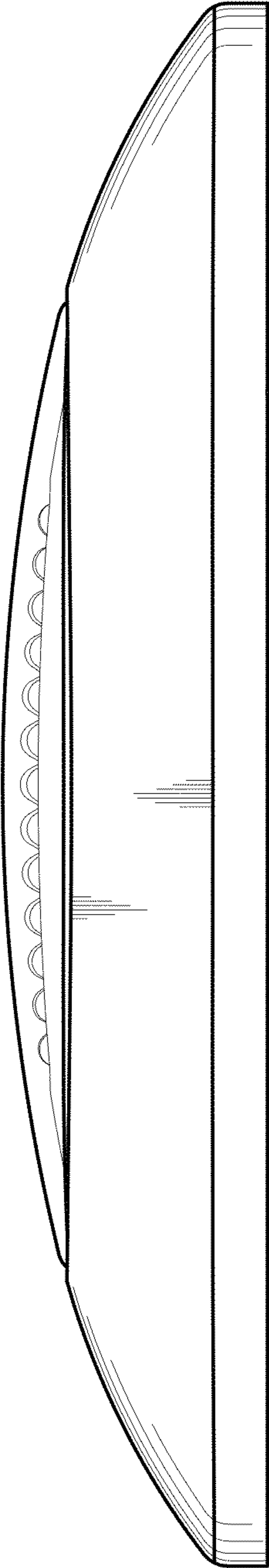


FIG. 7