



US00D738546S

(12) **United States Design Patent**  
**Aubrey**

(10) **Patent No.:** **US D738,546 S**  
(45) **Date of Patent:** **\*\* Sep. 8, 2015**

- (54) **BUOYANT CANDLE HOLDER**
- (71) Applicant: **Justin Aubrey**, Manhattan Beach, CA (US)
- (72) Inventor: **Justin Aubrey**, Manhattan Beach, CA (US)
- (\*\*) Term: **14 Years**
- (21) Appl. No.: **29/490,661**
- (22) Filed: **May 12, 2014**
- (51) **LOC (10) Cl.** ..... **26-01**
- (52) **U.S. Cl.**  
USPC ..... **D26/22**
- (58) **Field of Classification Search**  
USPC ..... D26/22, 9, 1, 19, 20, 52, 6, 10, 11, 12, D26/13, 14, 15, 16, 7, 23, 96, 101, 102, D26/116; 431/589, 290–295, 288, 125, 126, 431/366, 369; 392/418, 390, 403–406; D7/610, 368  
See application file for complete search history.

- D610,279 S \* 2/2010 Bolanos ..... D26/13
- D625,565 S \* 10/2010 Alford ..... D7/610
- D625,566 S \* 10/2010 Alford ..... D7/610
- D627,191 S \* 11/2010 Fain ..... D7/368
- 8,668,088 B2 \* 3/2014 Donnelly ..... 206/457
- D713,694 S \* 9/2014 Fitzpatrick ..... D7/610
- 2007/0009846 A1 \* 1/2007 Bolanos ..... 431/320

\* cited by examiner

*Primary Examiner* — T. Chase Nelson  
*Assistant Examiner* — Ania Aman  
(74) *Attorney, Agent, or Firm* — Fulwider Patton LLP

(57) **CLAIM**  
The ornamental design for an buoyant candle holder, as shown.

**DESCRIPTION**

FIG. 1 is an elevated, perspective view of a buoyant candle holder showing my new design;  
FIG. 2 is a top view thereof;  
FIG. 3 is a left side view thereof;  
FIG. 4 is a right side view thereof;  
FIG. 5 is a bottom view thereof;  
FIG. 6 is a front view thereof; and,  
FIG. 7 is a rear view thereof.  
The broken line shown in the drawings are for the purpose of illustrating portions of the article that form no part of the claimed design.

**1 Claim, 2 Drawing Sheets**

- (56) **References Cited**  
U.S. PATENT DOCUMENTS  
4,938,688 A \* 7/1990 Wexler ..... 431/295  
6,347,879 B1 \* 2/2002 Prado ..... 362/159  
D490,276 S \* 5/2004 Pereira et al. .... D7/610

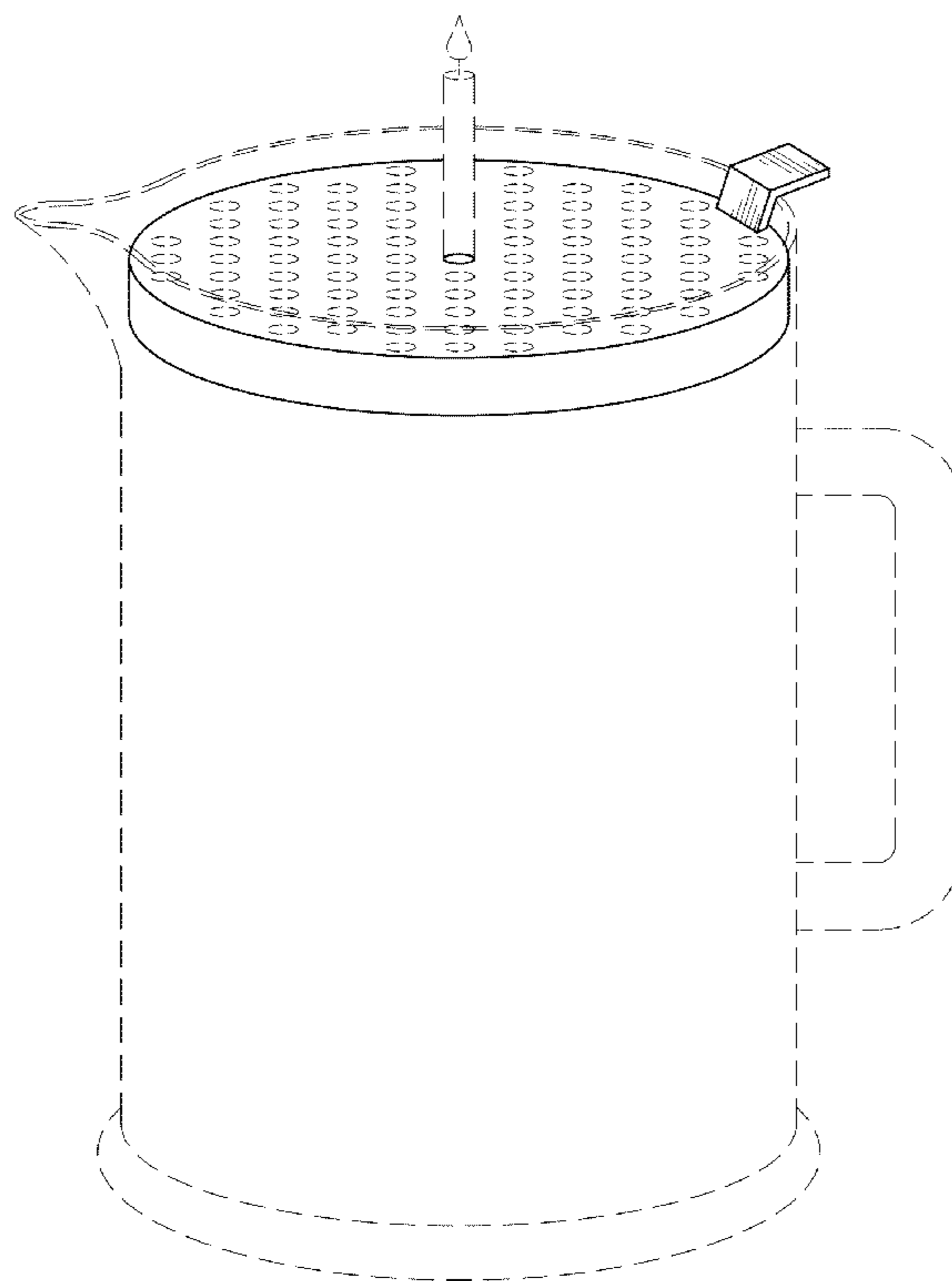
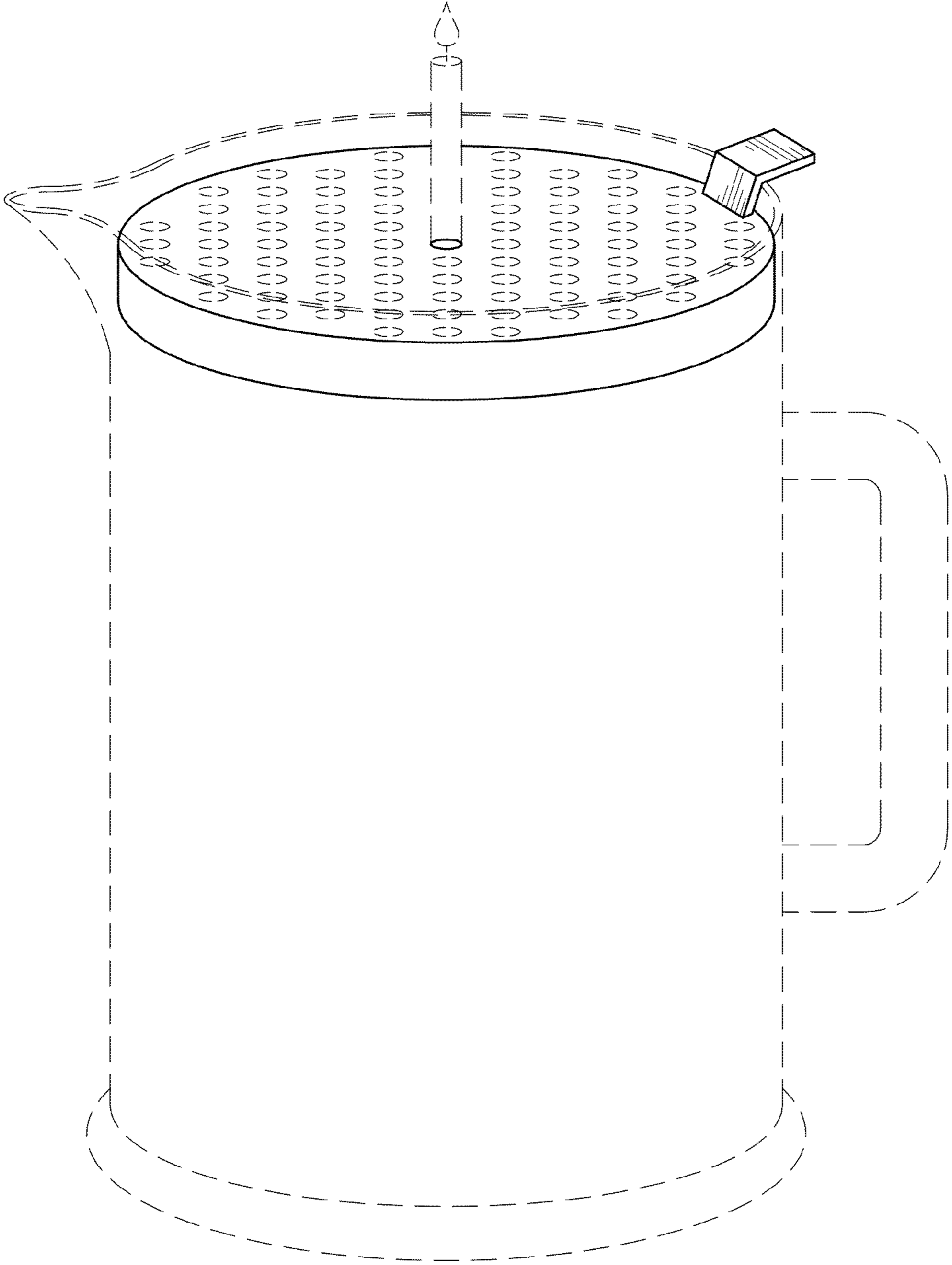


FIG. 1



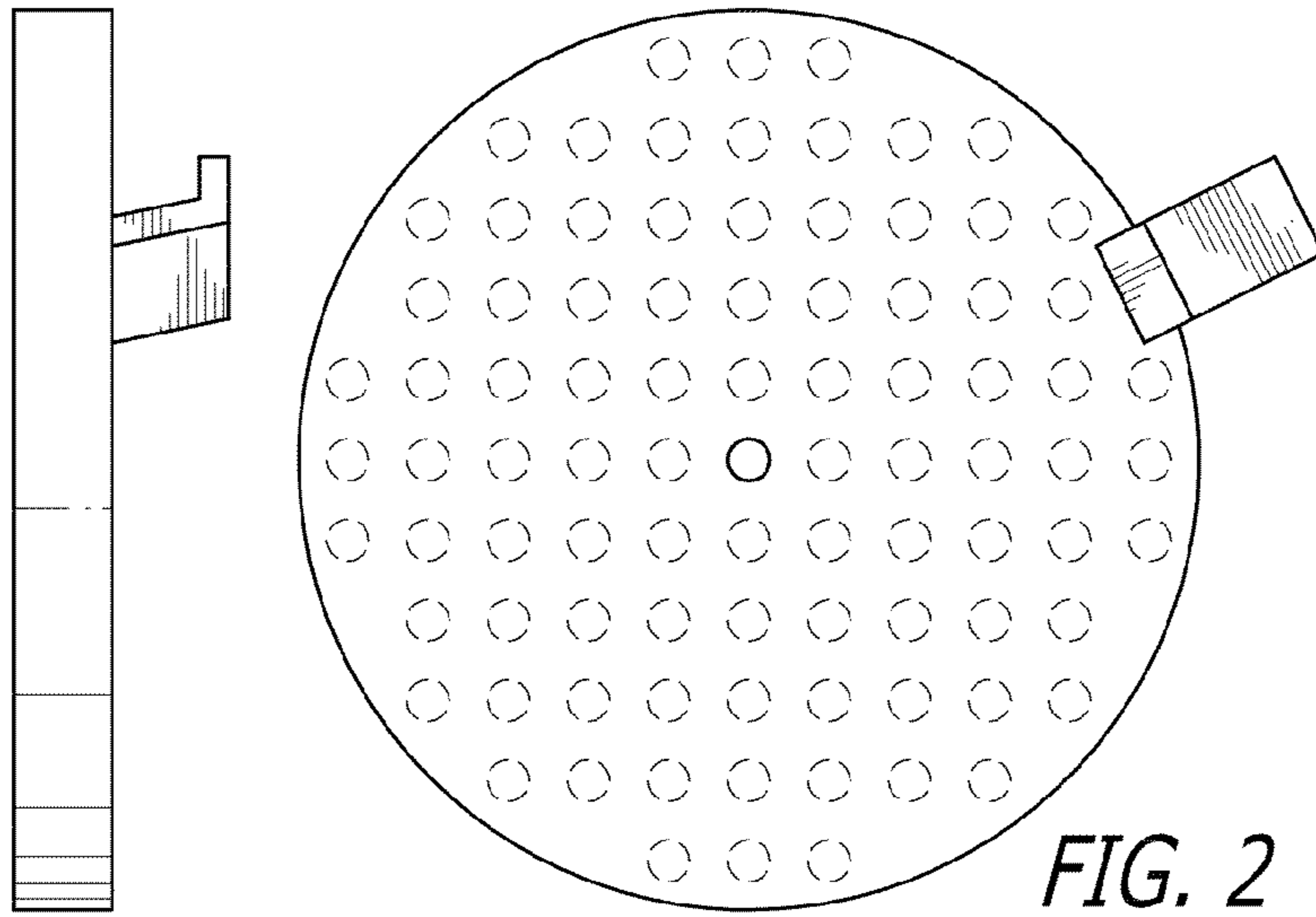


FIG. 2

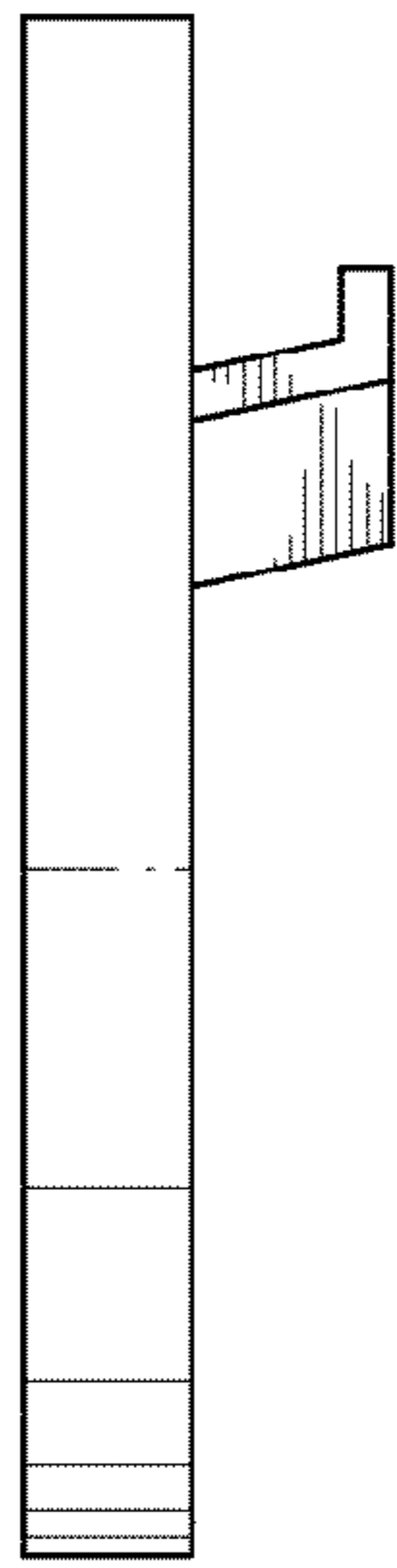


FIG. 3

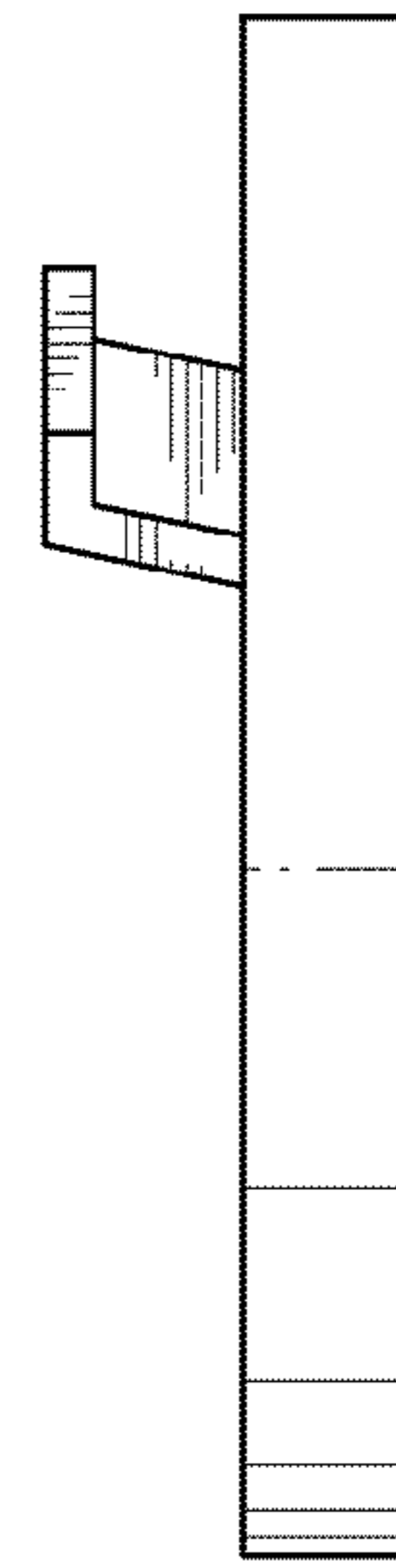


FIG. 4

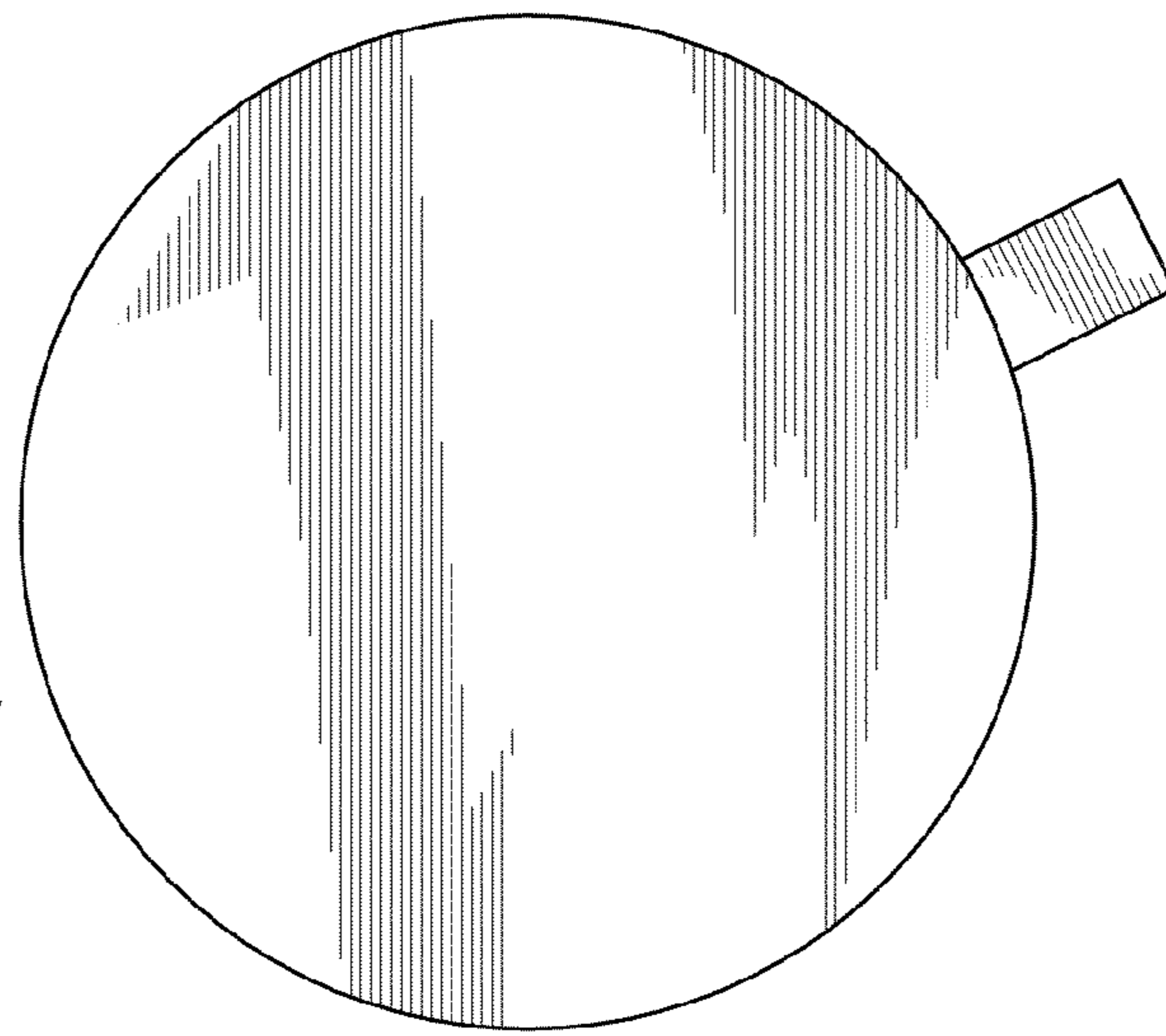


FIG. 5

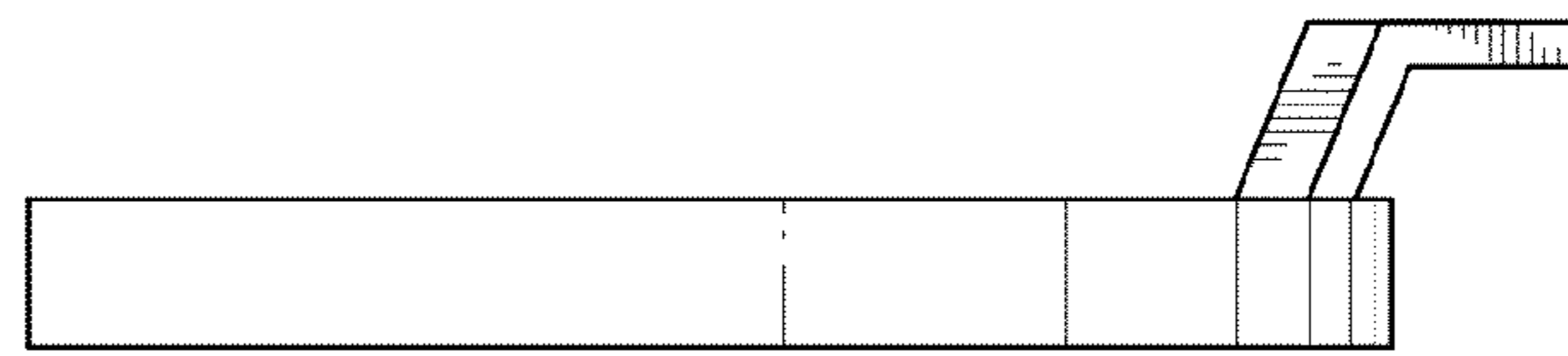


FIG. 6

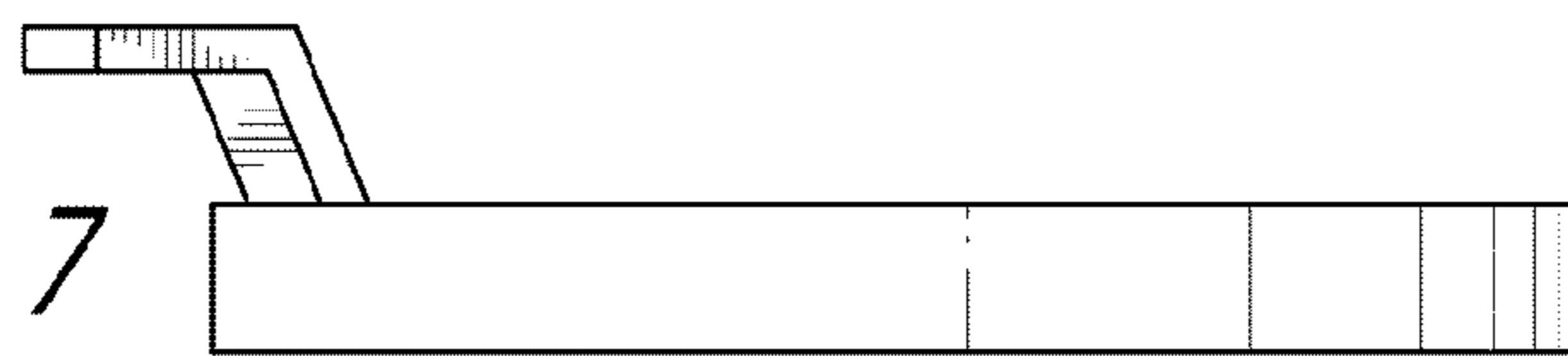


FIG. 7