



US00D738545S

(12) **United States Design Patent**
Roope et al.

(10) **Patent No.:** **US D738,545 S**

(45) **Date of Patent:** **** Sep. 8, 2015**

(54) **LIGHT BULB**

(71) Applicant: **Plumen Limited**, London (GB)

(72) Inventors: **Nicolas Roope**, London (GB);
Michael-George Hemus, London (GB)

(73) Assignee: **Plumen Limited** (GB)

(**) Term: **14 Years**

(21) Appl. No.: **29/480,286**

(22) Filed: **Jan. 24, 2014**

(30) **Foreign Application Priority Data**

Jan. 7, 2014 (EP) 002381061-0001

(51) **LOC (10) Cl.** **26-04**

(52) **U.S. Cl.**
USPC **D26/3**

(58) **Field of Classification Search**

USPC D26/1-4; 313/313, 315, 316, 317, 318,
313/493; 315/52, 53, 56, 57, 58

See application file for complete search history.

(56) **References Cited**

U.S. PATENT DOCUMENTS

D232,641 S *	9/1974	Katz et al.	D26/2
D286,914 S *	11/1986	Bedel	D26/3
D329,710 S *	9/1992	Muller et al.	D26/26
D339,646 S *	9/1993	Lim	D26/3
D354,146 S *	1/1995	Chamberlain et al.	D26/3
D355,496 S *	2/1995	Franck	D26/3

* cited by examiner

Primary Examiner — Marcus Jackson

(74) *Attorney, Agent, or Firm* — Schwegman Lundberg & Woessner, P.A.

(57) **CLAIM**

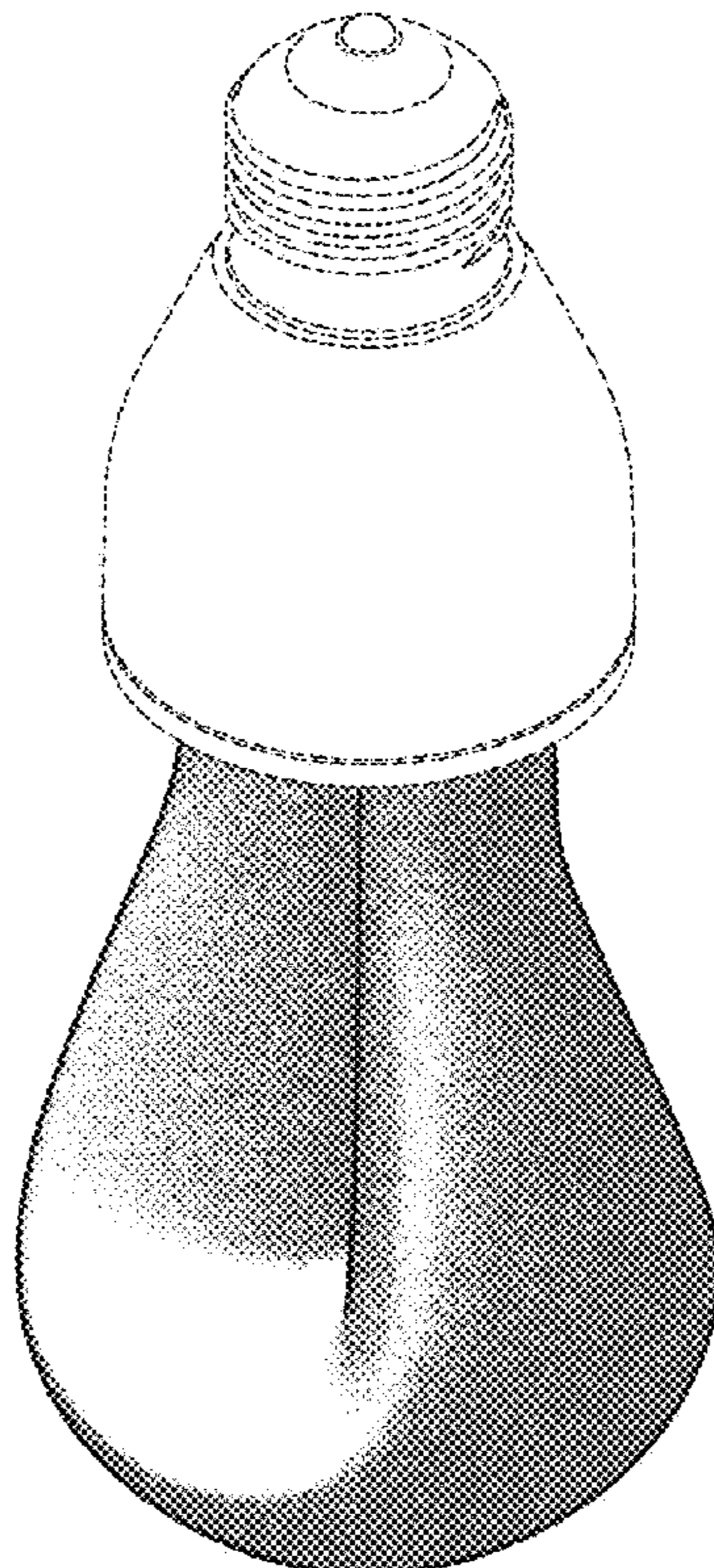
The ornamental design for the light bulb, as shown and described.

DESCRIPTION

FIG. 1 is an isometric view of a light bulb, showing an embodiment of the new design;
FIG. 2 is a front view thereof;
FIG. 3 is a rear view thereof;
FIG. 4 is a right side view thereof;
FIG. 5 is a left side view thereof;
FIG. 6 is a top view thereof; and,
FIG. 7 is a bottom view thereof.

Subject matter shown in broken lines is environmental and forms no part of the claimed design.

1 Claim, 6 Drawing Sheets



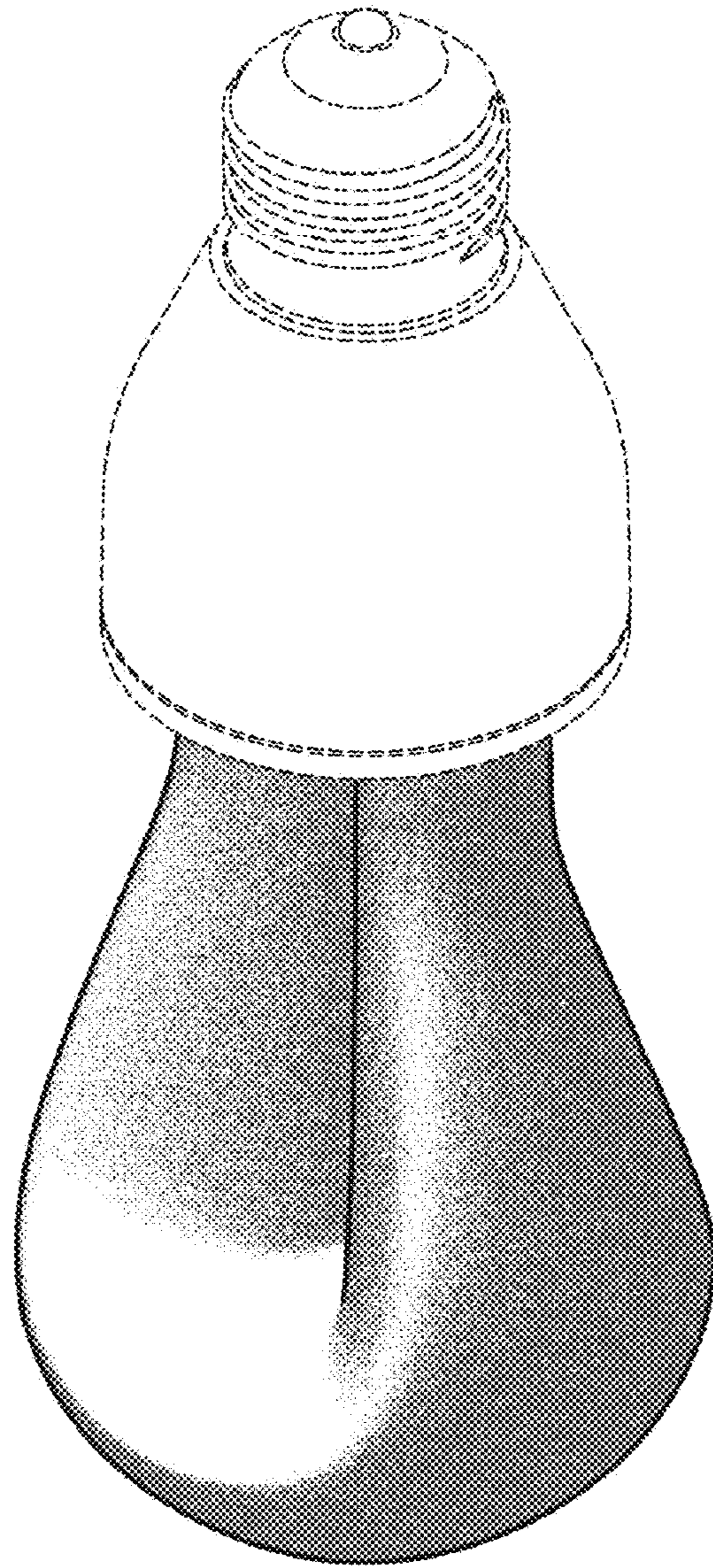


FIG. 1

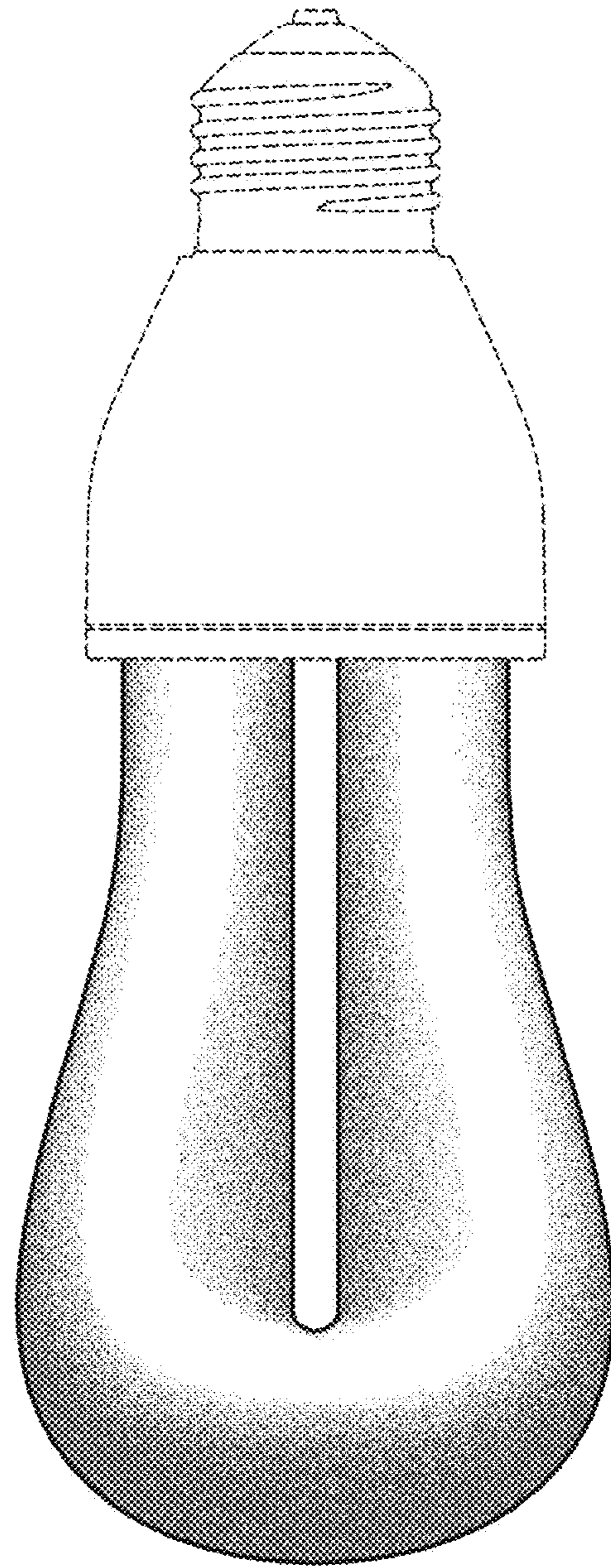


FIG. 2

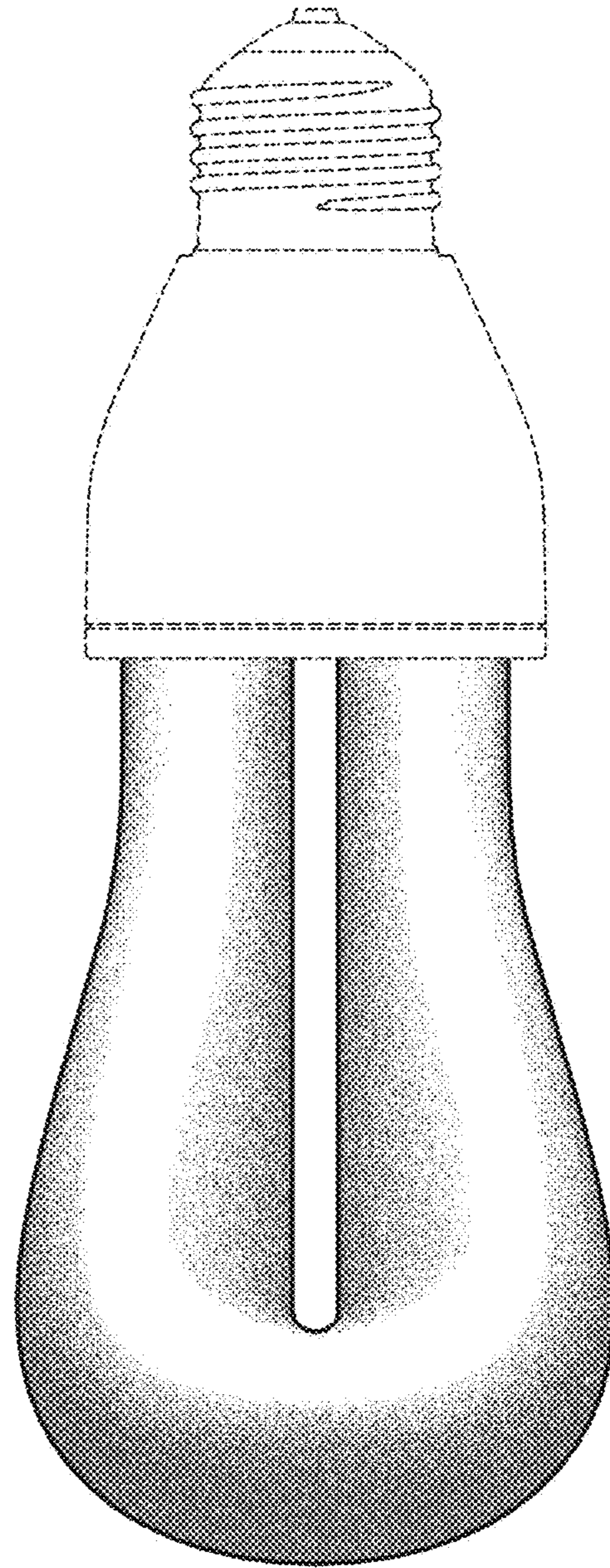


FIG. 3

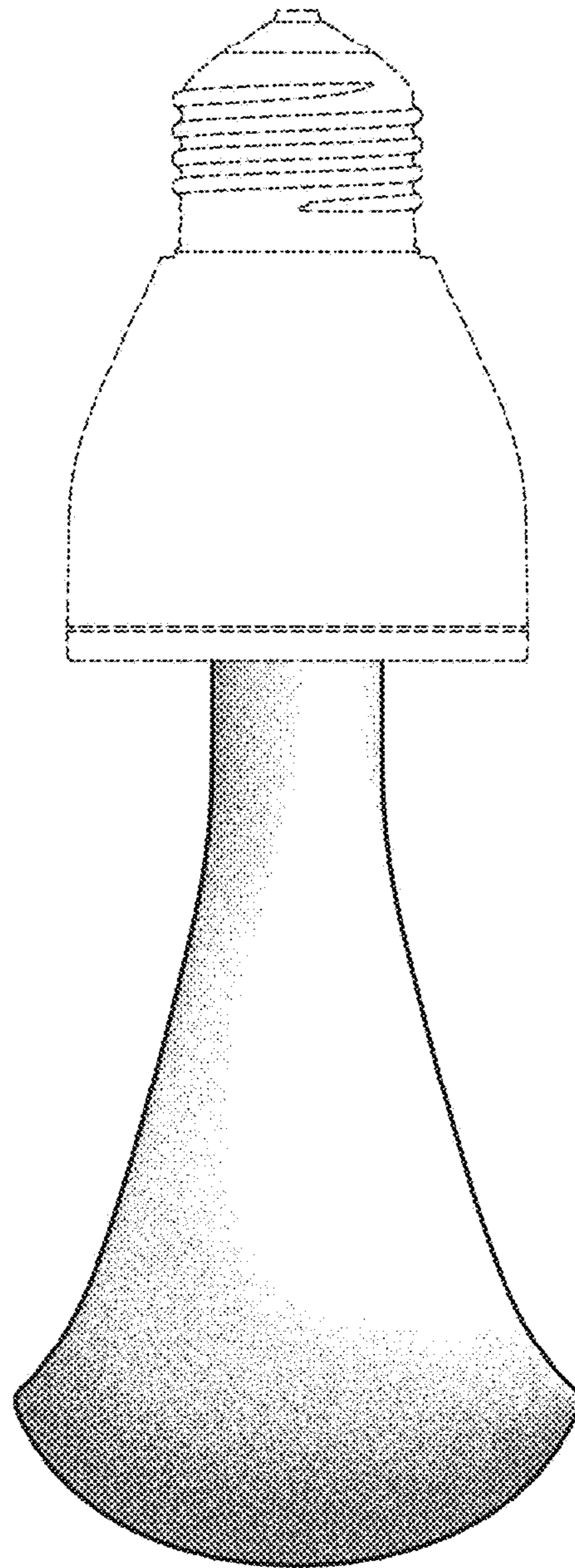


FIG. 4

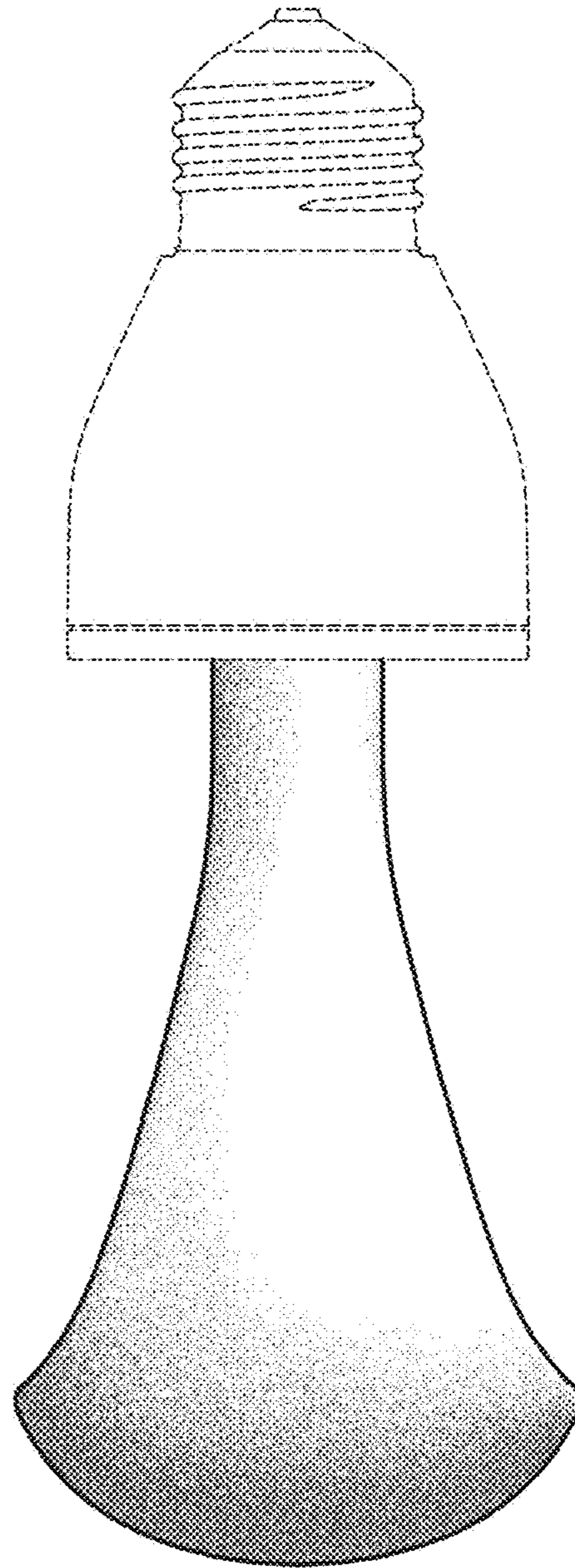


FIG. 5

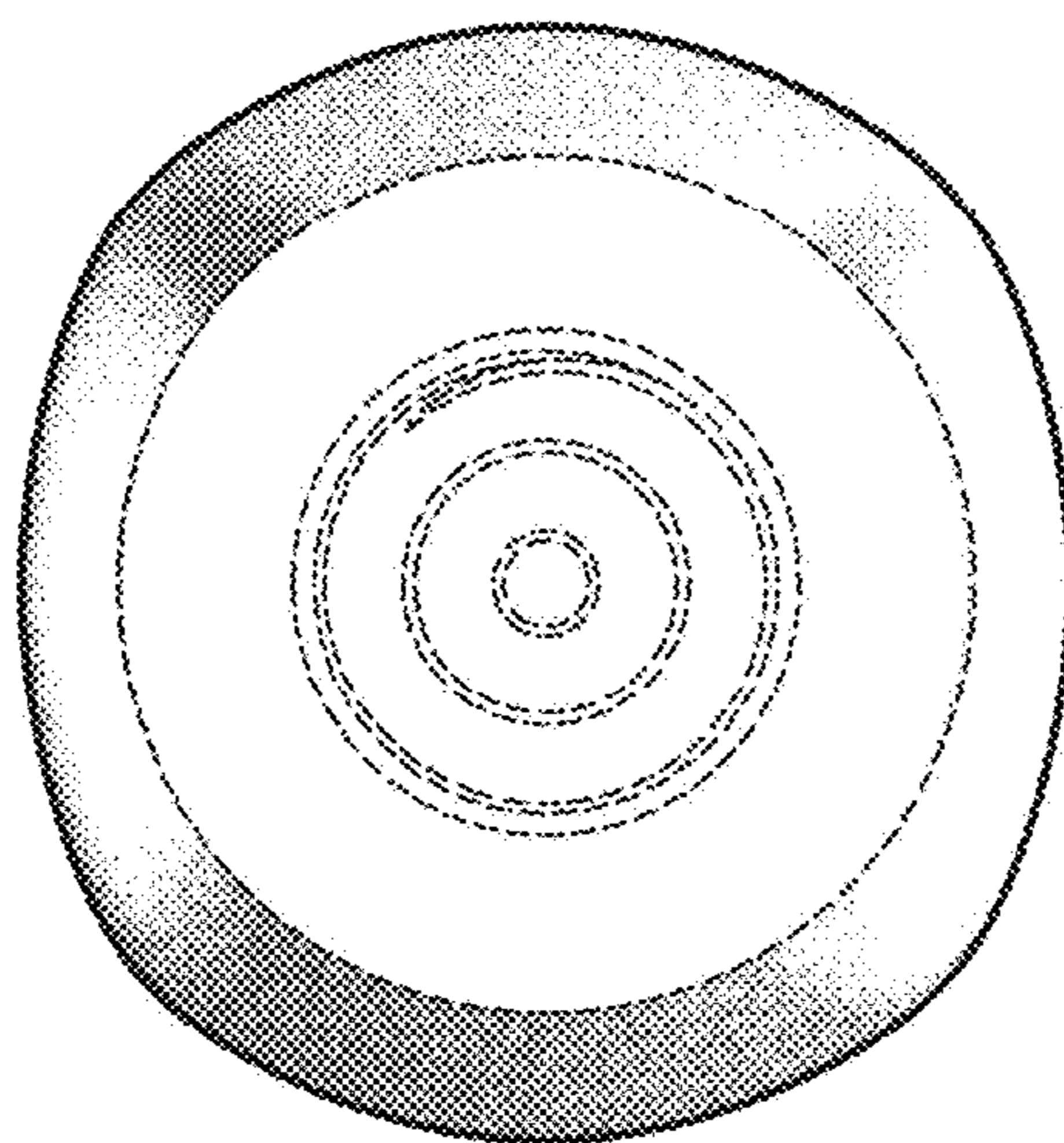


FIG. 6

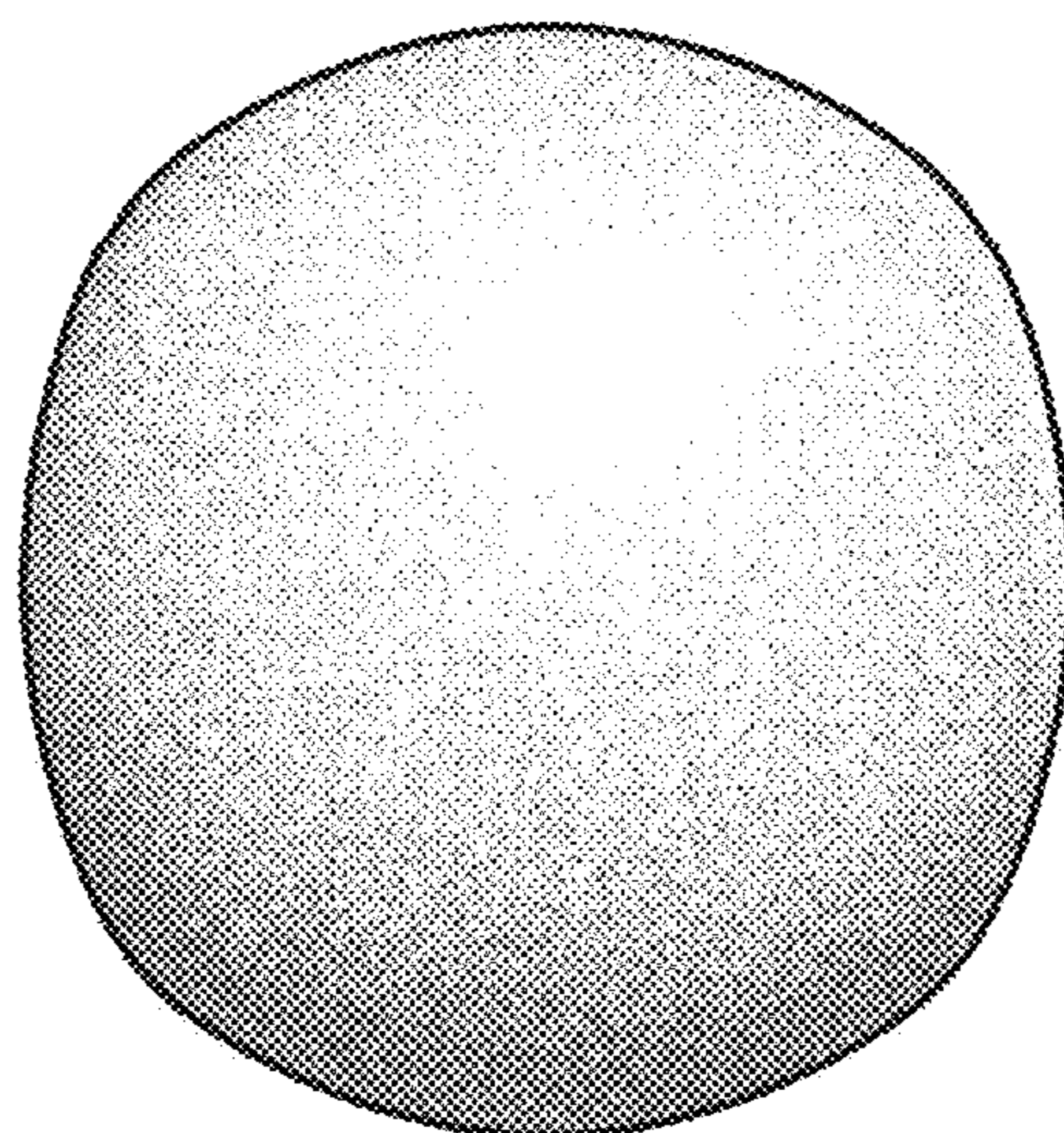


FIG. 7