



US00D738544S

(12) **United States Design Patent**
Machida

(10) **Patent No.:** **US D738,544 S**
(45) **Date of Patent:** **** Sep. 8, 2015**

- (54) **LIGHT EMITTING DIODE BULB WITH A LIGHT GUIDE**
- (71) Applicant: **Akihiro Machida**, Sunnyvale, CA (US)
- (72) Inventor: **Akihiro Machida**, Sunnyvale, CA (US)
- (**) Term: **14 Years**
- (21) Appl. No.: **29/488,484**
- (22) Filed: **Apr. 18, 2014**
- (51) **LOC (10) Cl.** **26-04**
- (52) **U.S. Cl.**
USPC **D26/2**
- (58) **Field of Classification Search**
USPC D26/1-4; 313/313, 315, 316, 317, 318,
313/493; 315/52, 53, 56, 57, 58
See application file for complete search history.

(56) **References Cited**

U.S. PATENT DOCUMENTS

D340,295 S *	10/1993	Beauchamp	D26/2
D422,099 S *	3/2000	Kracke	D26/2
D549,360 S *	8/2007	An	D26/2
D550,864 S *	9/2007	Hernandez et al.	D26/2
D664,683 S *	7/2012	Matsuda et al.	D26/2
D671,663 S *	11/2012	Matsuda et al.	D26/2

* cited by examiner

Primary Examiner — Marcus Jackson

(74) *Attorney, Agent, or Firm* — Procopio, Cory, Hargreaves & Savitch LLP

(57) **CLAIM**

The ornamental design for a light emitting diode bulb with a light guide, as shown and described.

DESCRIPTION

FIGS. 1 and 2 illustrate perspective side views showing my new design for a light emitting diode bulb with a light guide.

FIGS. 3 and 4 illustrate perspective side views showing my new design for another embodiment of a light emitting diode bulb with a light guide.

FIGS. 5 and 6 illustrate perspective side views showing my new design for another embodiment of a light emitting diode bulb with a light guide.

FIGS. 7 and 8 illustrate perspective side views showing my new design for another embodiment of a light emitting diode bulb with a light guide.

FIGS. 9 and 10 illustrate perspective side views showing my new design for another embodiment of a light emitting diode bulb with a light guide.

FIGS. 11 and 12 illustrate perspective side views showing my new design for another embodiment of a light emitting diode bulb with a light guide.

FIGS. 13 and 14 illustrate perspective side views showing my new design for another embodiment of a light emitting diode bulb with a light guide.

FIGS. 15 and 16 illustrate perspective side views showing my new design for another embodiment of a light emitting diode bulb with a light guide.

FIGS. 17 and 18 illustrate perspective side views showing my new design for another embodiment of a light emitting diode bulb with a light guide.

FIGS. 19 and 20 illustrate perspective side views showing my new design for another embodiment of a light emitting diode bulb with a light guide.

FIGS. 21 and 22 illustrate perspective side views showing my new design for another embodiment of a light emitting diode bulb with a light guide.

FIGS. 23 and 24 illustrate perspective side views showing my new design for another embodiment of a light emitting diode bulb with a light guide.

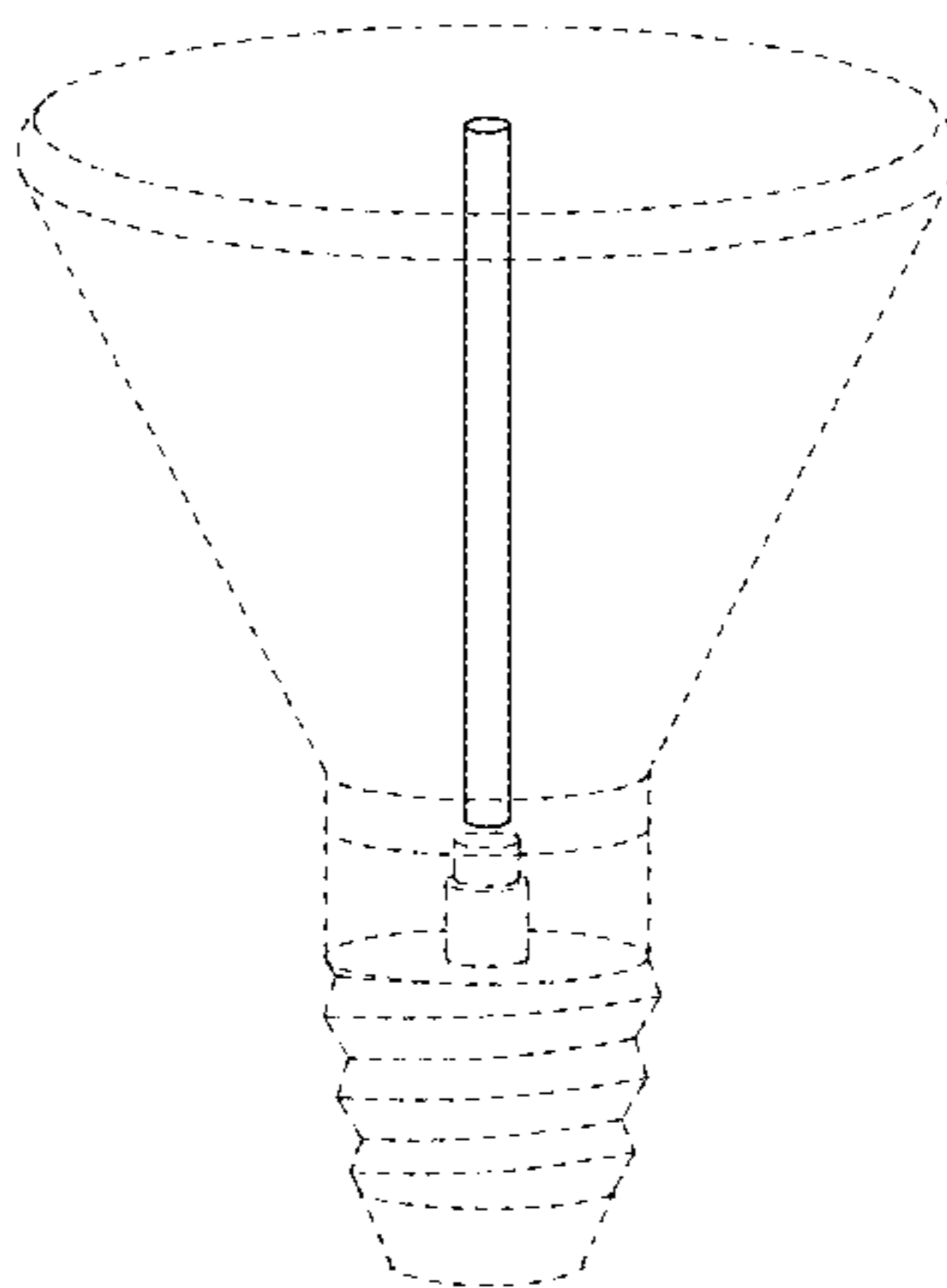
FIGS. 25 and 26 illustrate perspective side views showing my new design for a light emitting diode bulb with a light guide.

FIGS. 27 and 28 illustrate perspective side views showing my new design for another embodiment of a light emitting diode bulb with a light guide.

FIGS. 31 and 32 illustrate perspective side views showing my new design for another embodiment of a light emitting diode bulb with a light guide.

FIGS. 33 and 34 illustrate perspective side views showing my new design for another embodiment of a light emitting diode bulb with a light guide.

FIGS. 35 and 36 illustrate perspective side views showing my new design for another embodiment of a light emitting diode bulb with a light guide.



FIGS. 37 and 38 illustrate perspective side views showing my new design for a light emitting diode bulb with a light guide. FIGS. 39 and 40 illustrate perspective side views showing my new design for another embodiment of a light emitting diode bulb with a light guide.

FIGS. 41 and 42 illustrate perspective side views showing my new design for another embodiment of a light emitting diode bulb with a light guide.

FIGS. 43 and 44 illustrate perspective side views showing my new design for a light emitting diode bulb with a light guide.

FIGS. 45 and 46 illustrate perspective side views showing my new design for another embodiment of a light emitting diode bulb with a light guide.

FIGS. 47 and 48 illustrate perspective side views showing my new design for another embodiment of a light emitting diode bulb with a light guide.

FIGS. 49 and 50 illustrate perspective side views showing my new design for another embodiment of a light emitting diode bulb with a light guide.

FIGS. 51 and 52 illustrate perspective side views showing my new design for another embodiment of a light emitting diode bulb with a light guide; and,

FIGS. 53 and 54 illustrate perspective side views showing my new design for another embodiment of a light emitting diode bulb with a light guide.

The broken line showing of the light emitting diode bulb is for illustrative purposes of the environment only and forms no part of the claimed design.

1 Claim, 27 Drawing Sheets

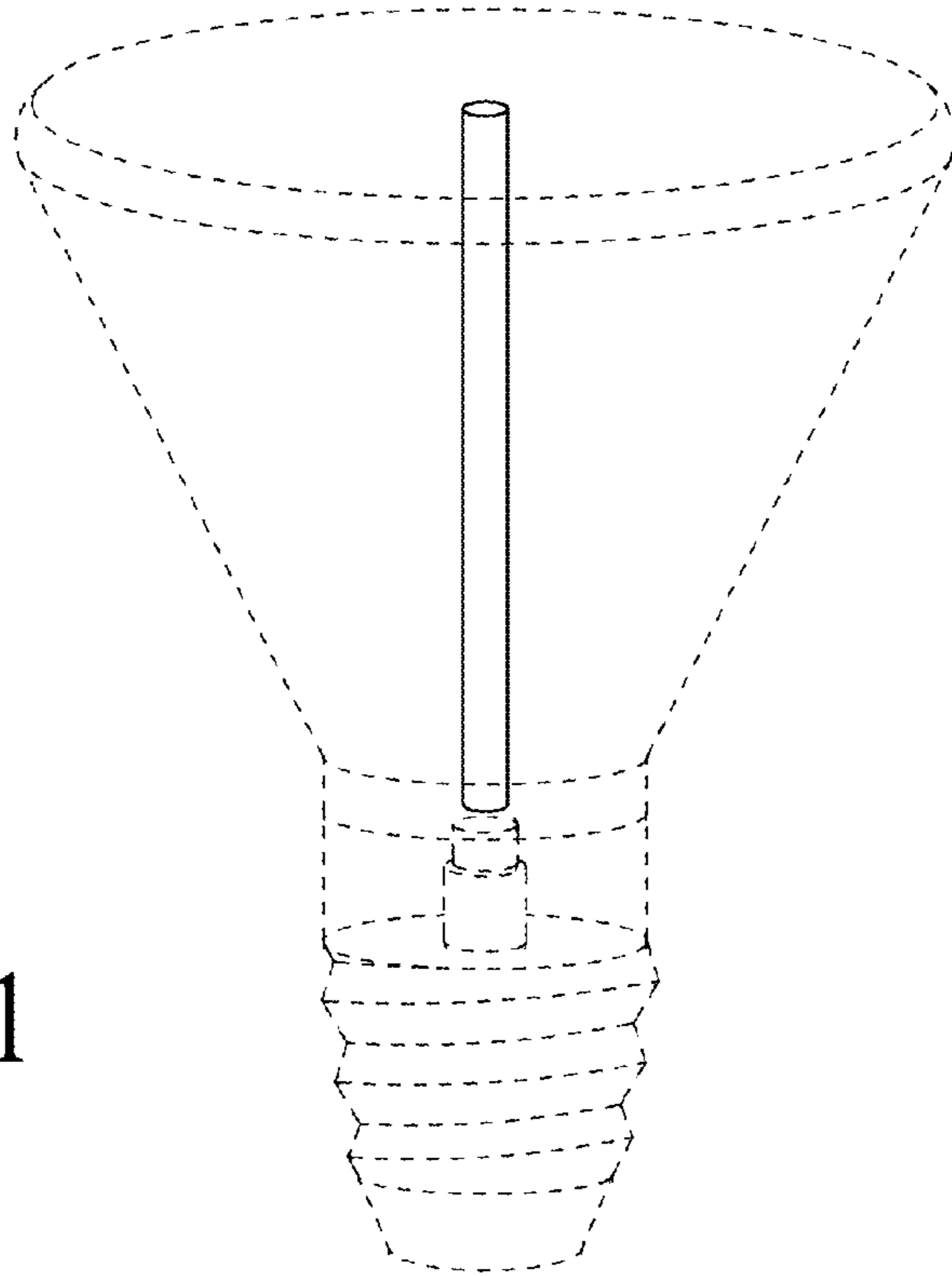


FIG. 1

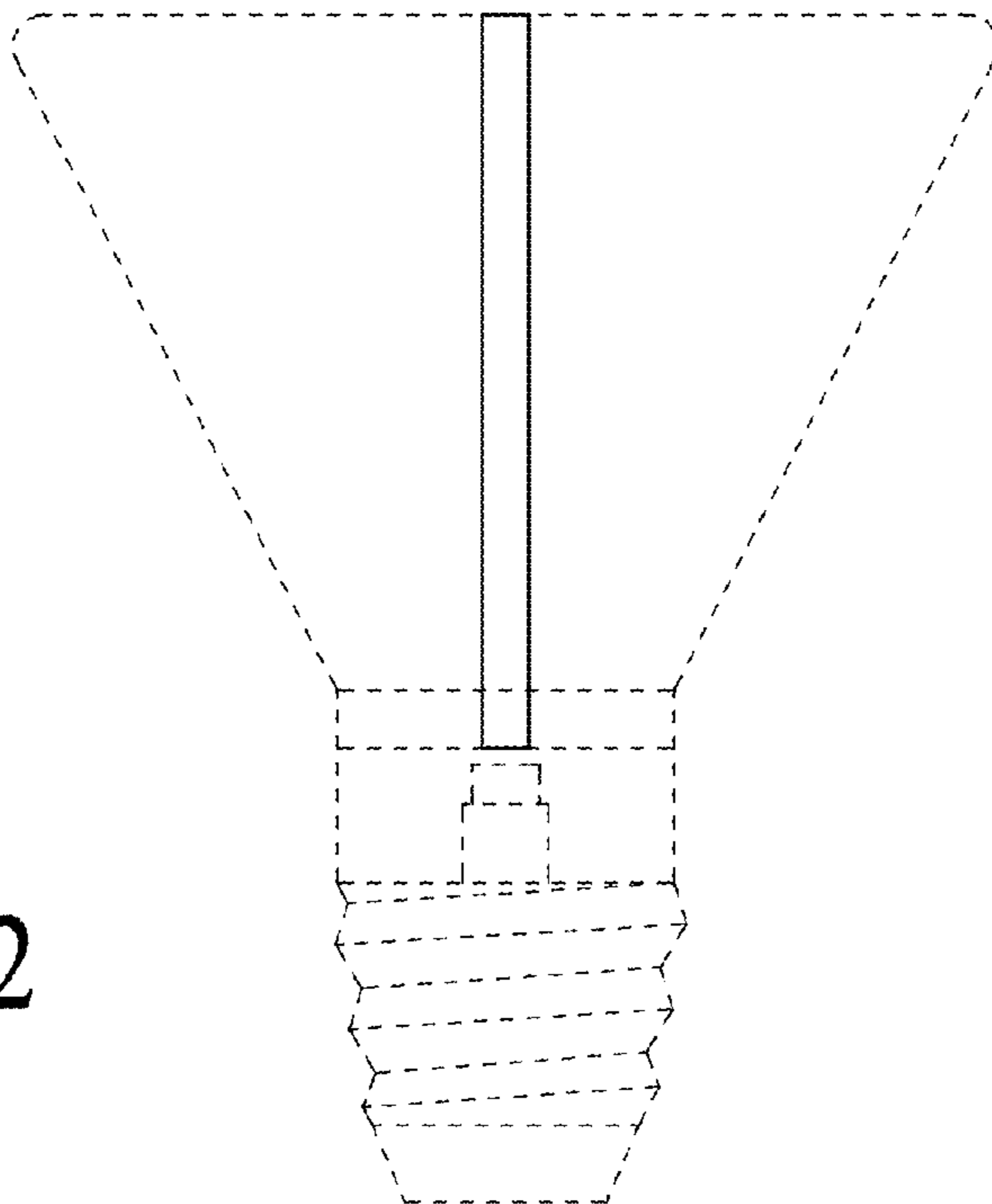


FIG. 2

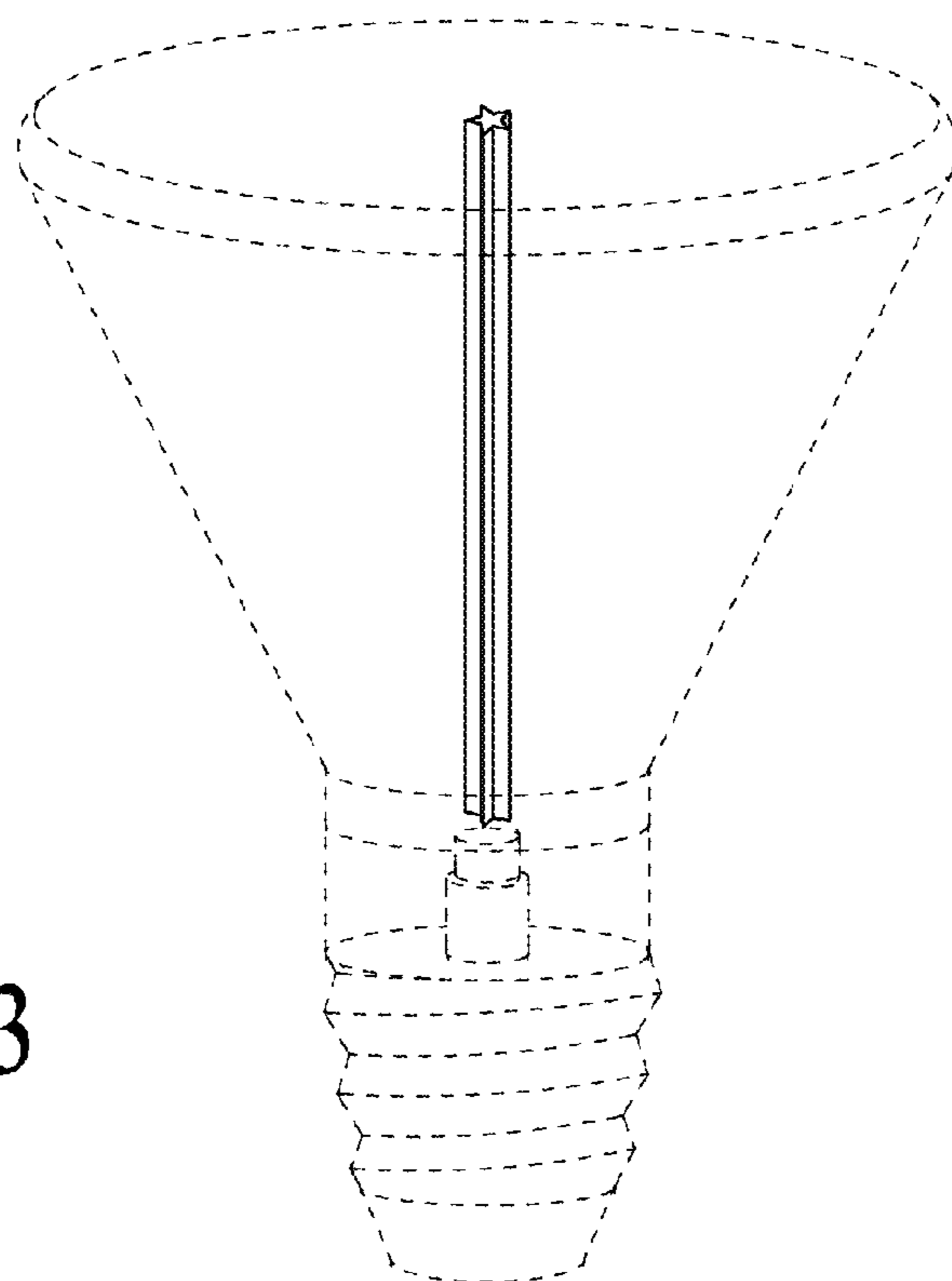


FIG. 3

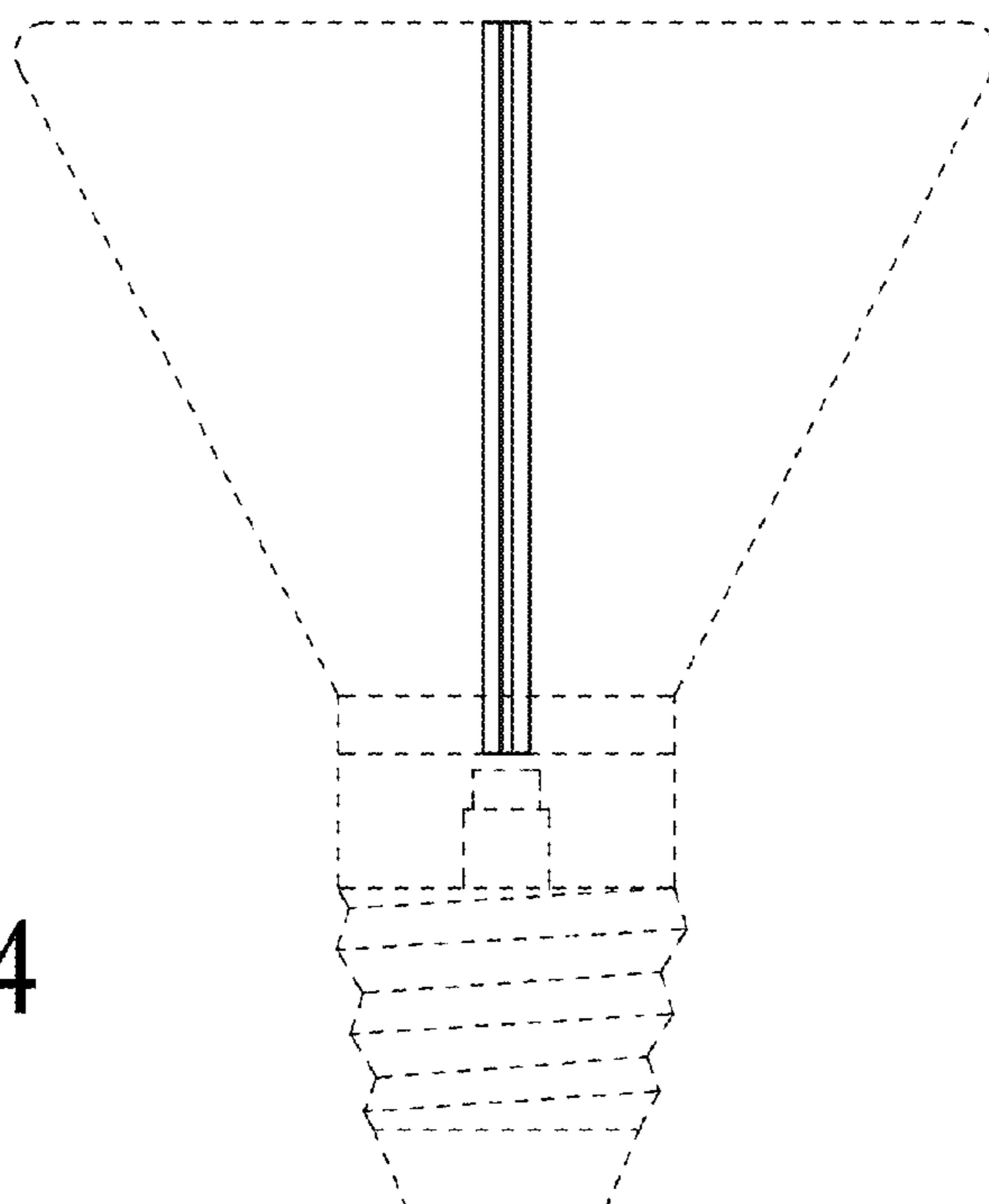


FIG. 4

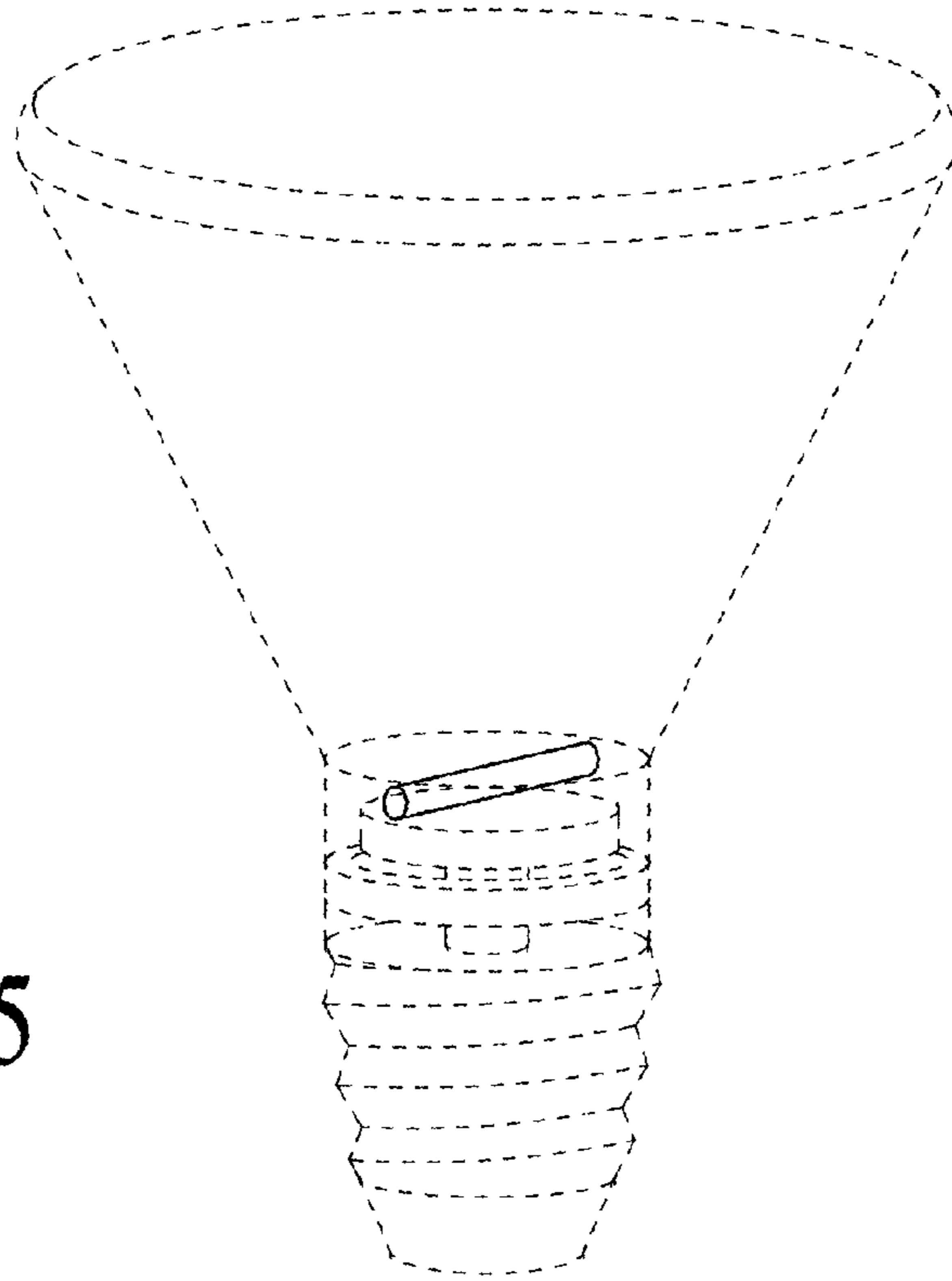


FIG. 5

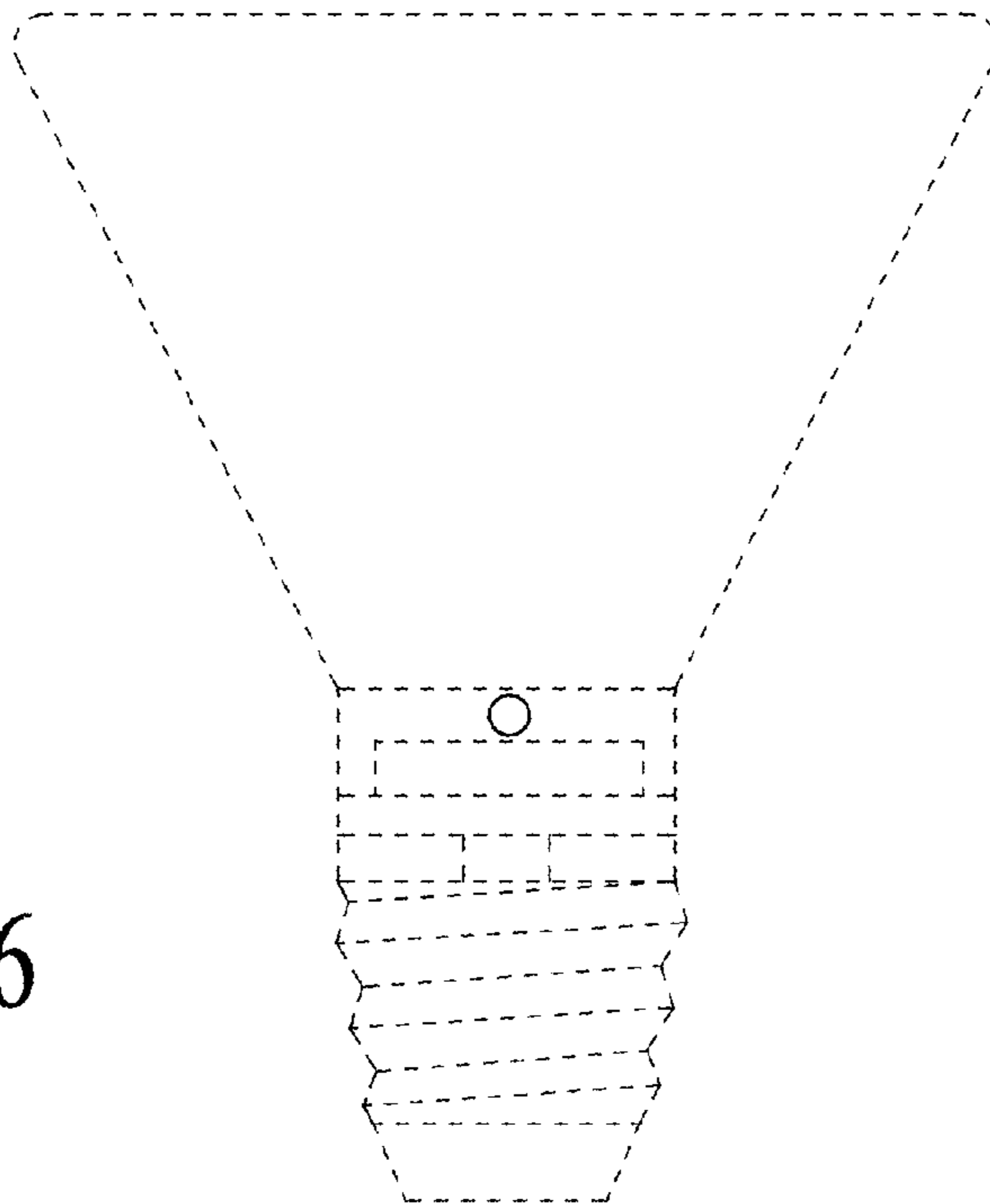


FIG. 6

FIG. 7

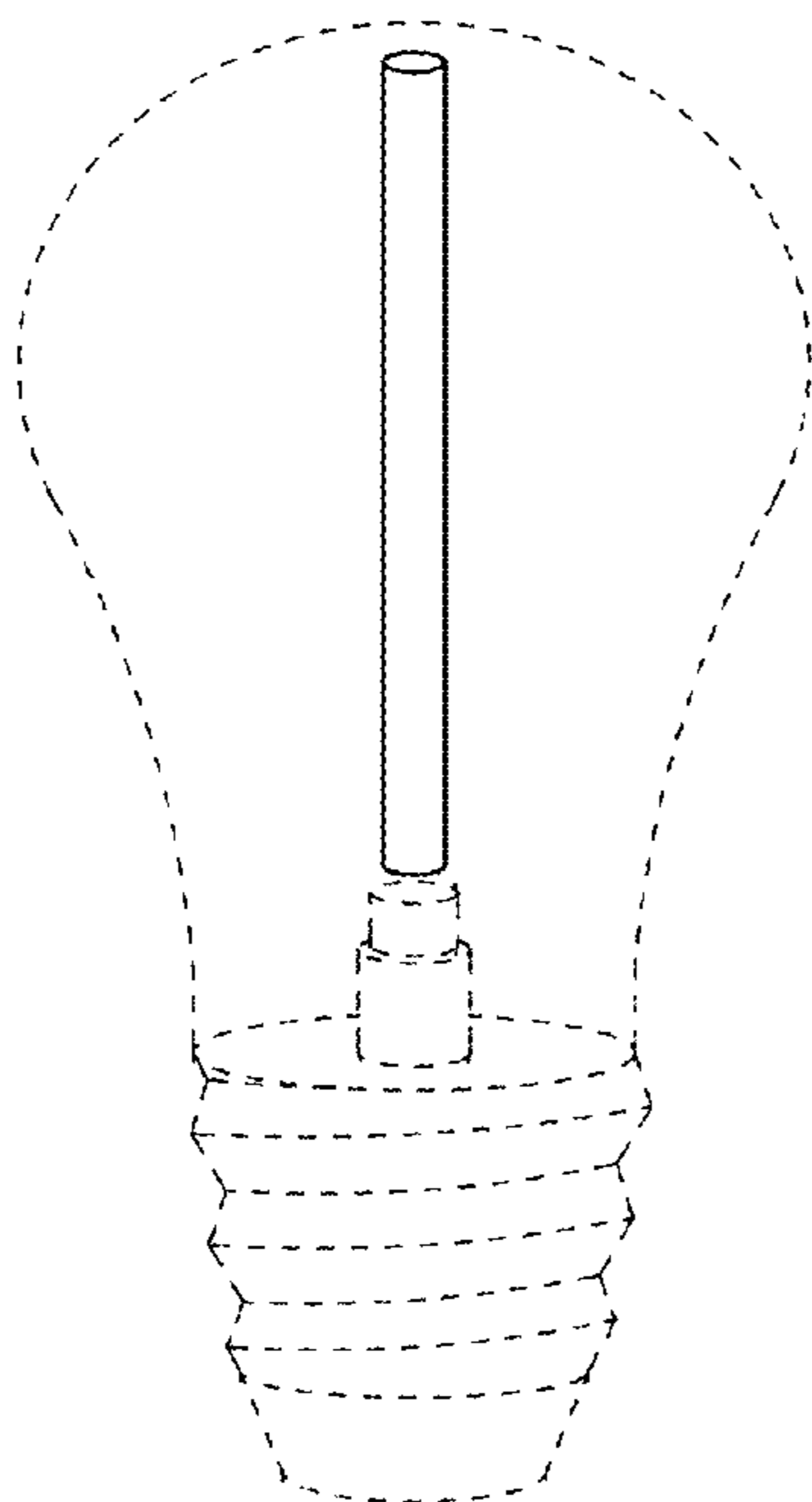


FIG. 8

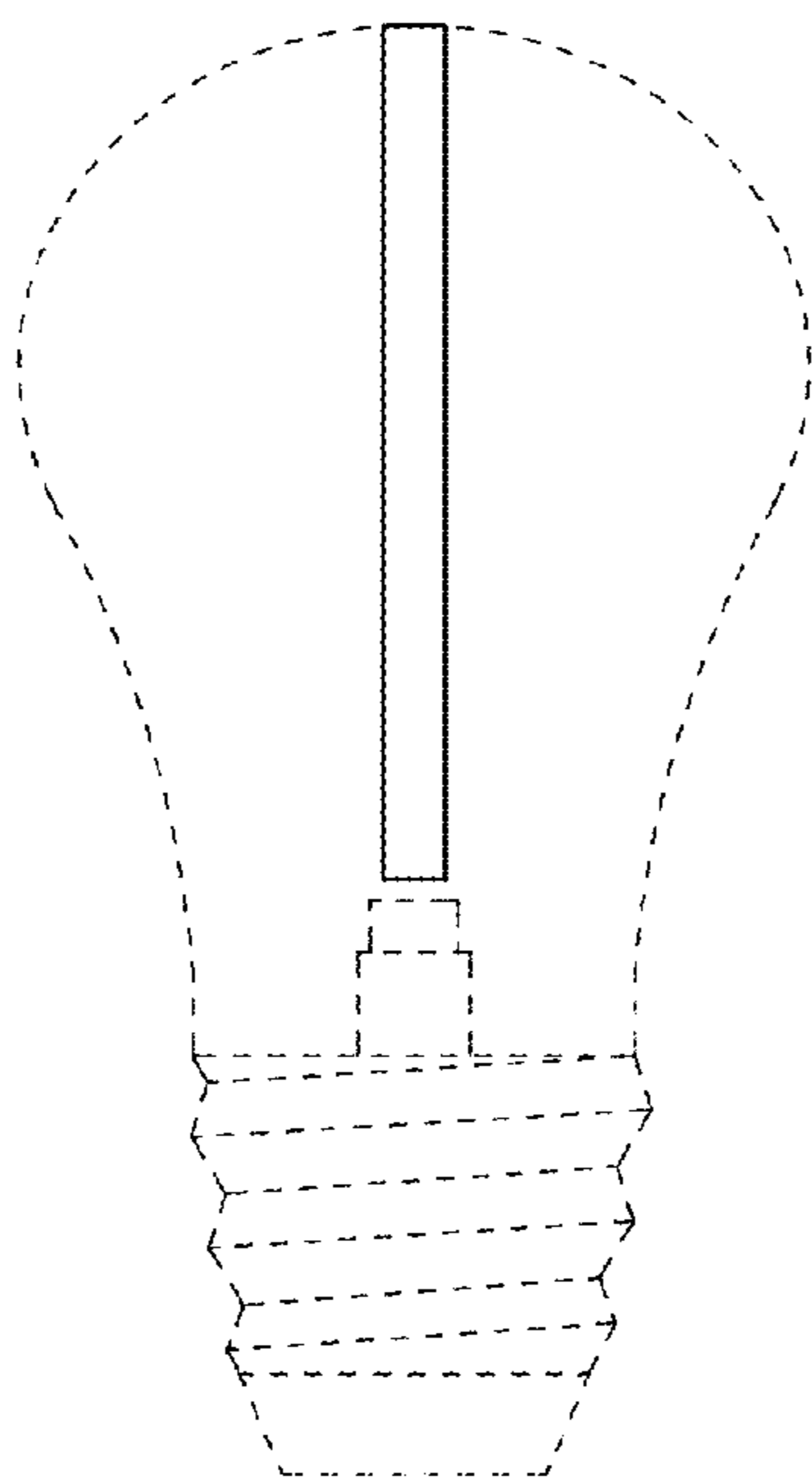


FIG. 9

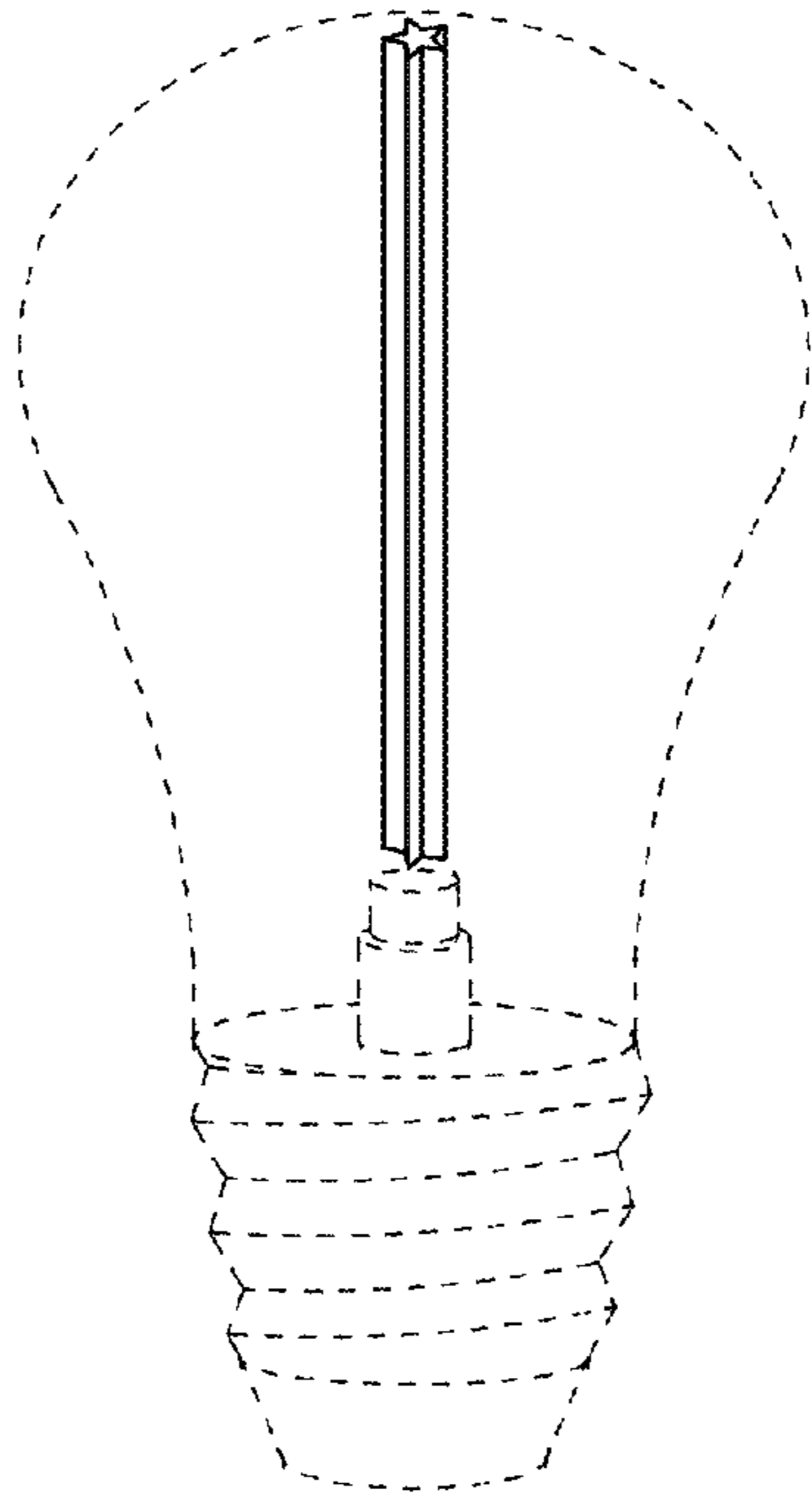


FIG. 10

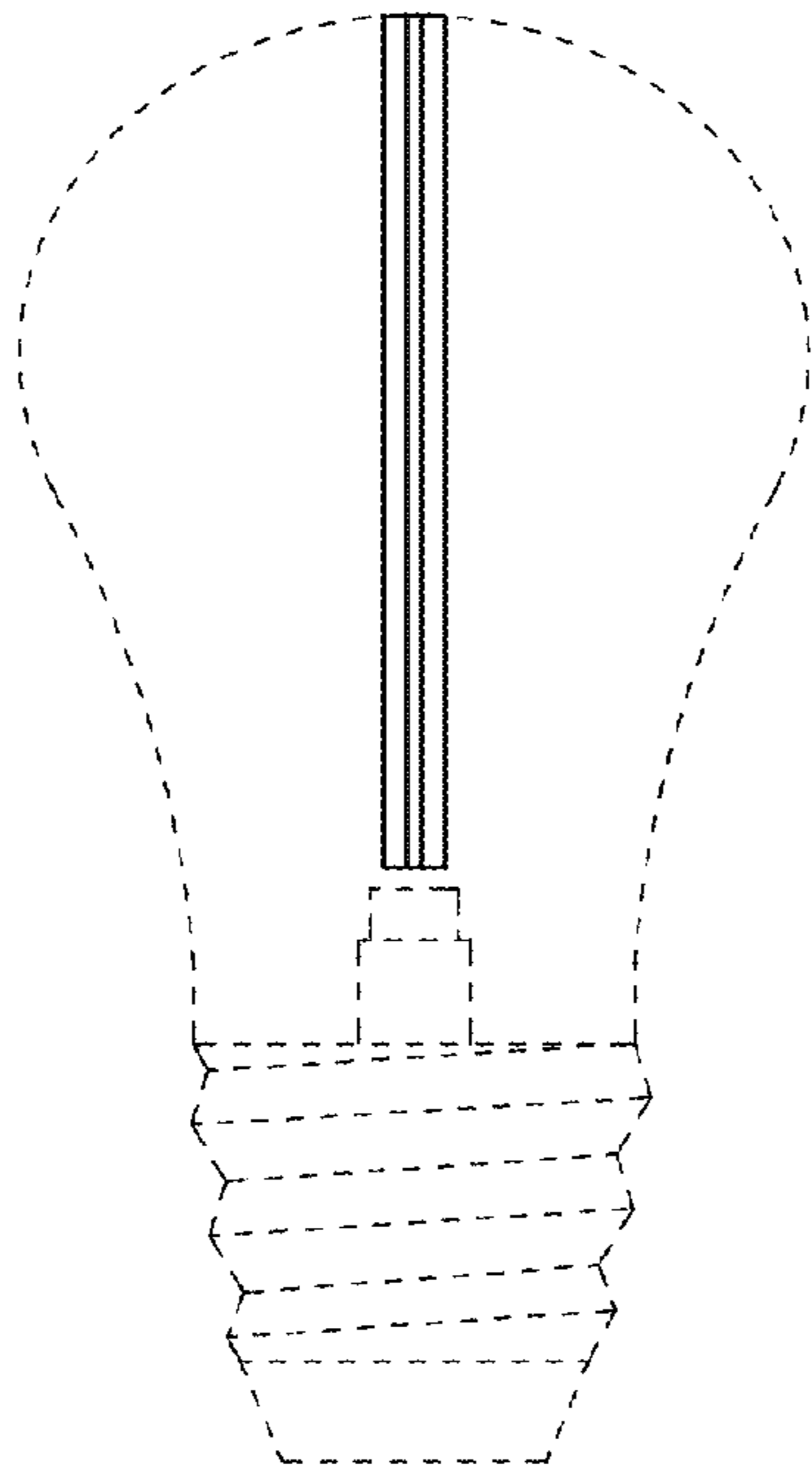


FIG. 11

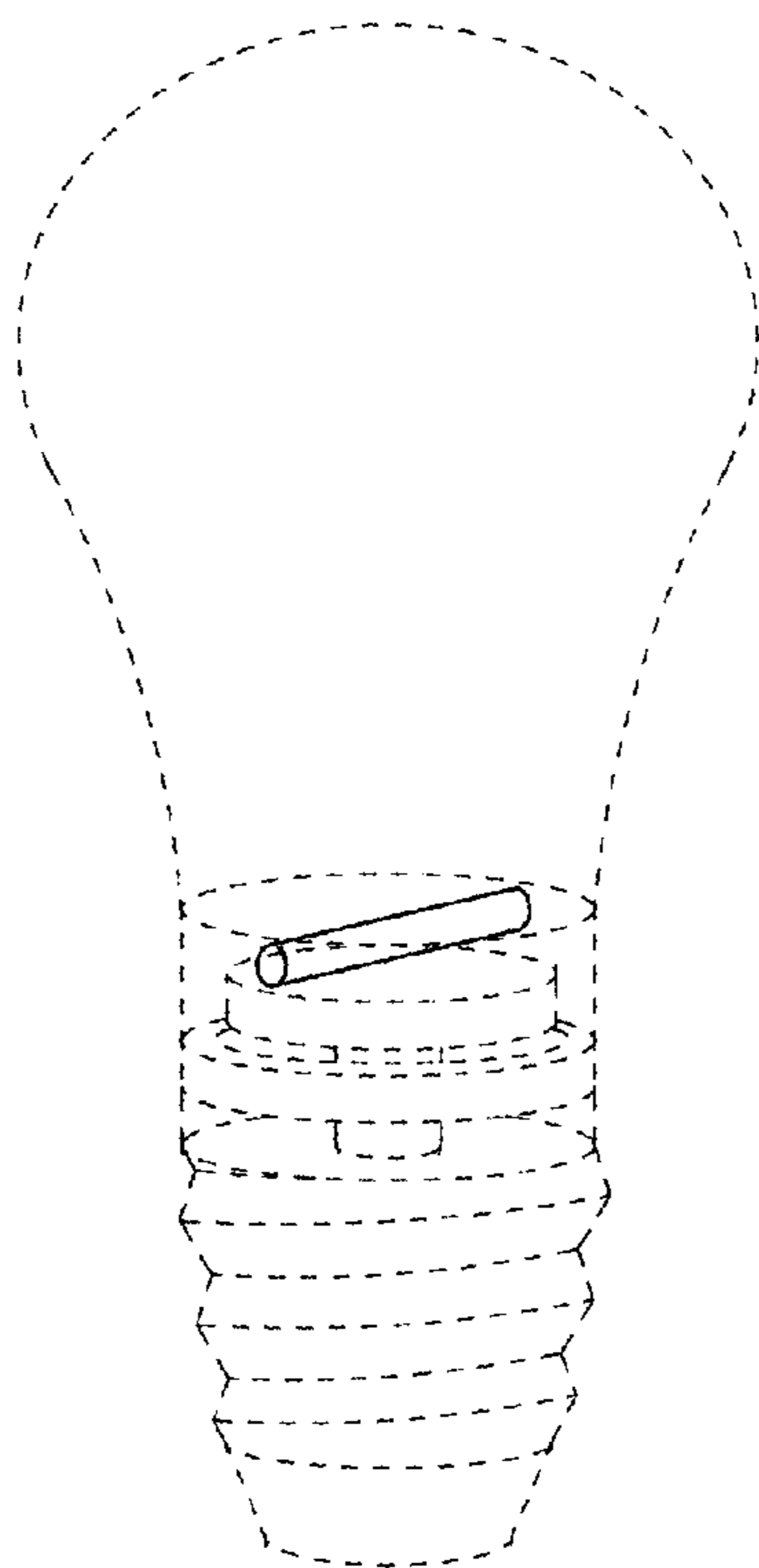


FIG. 12

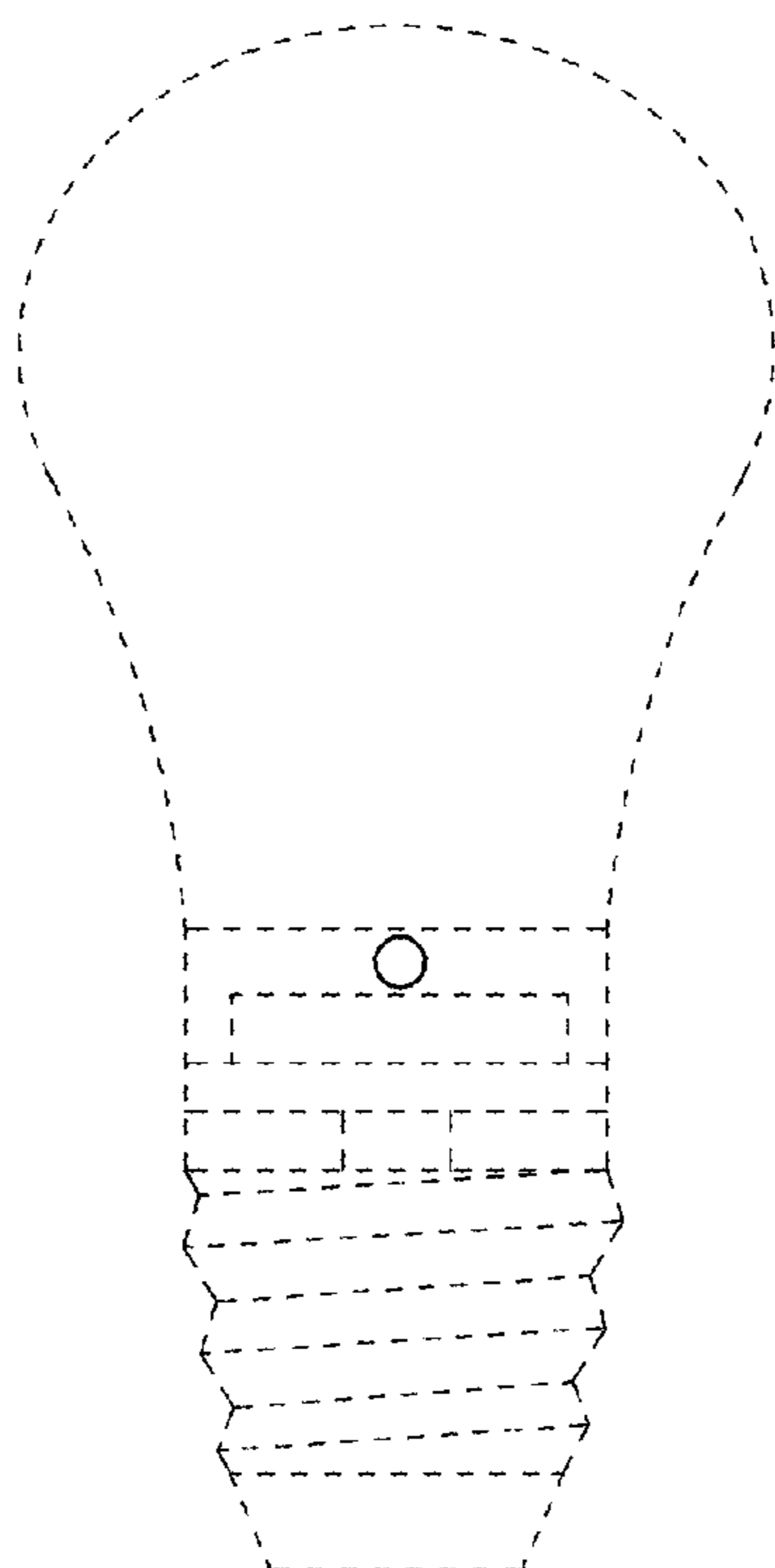


FIG. 13

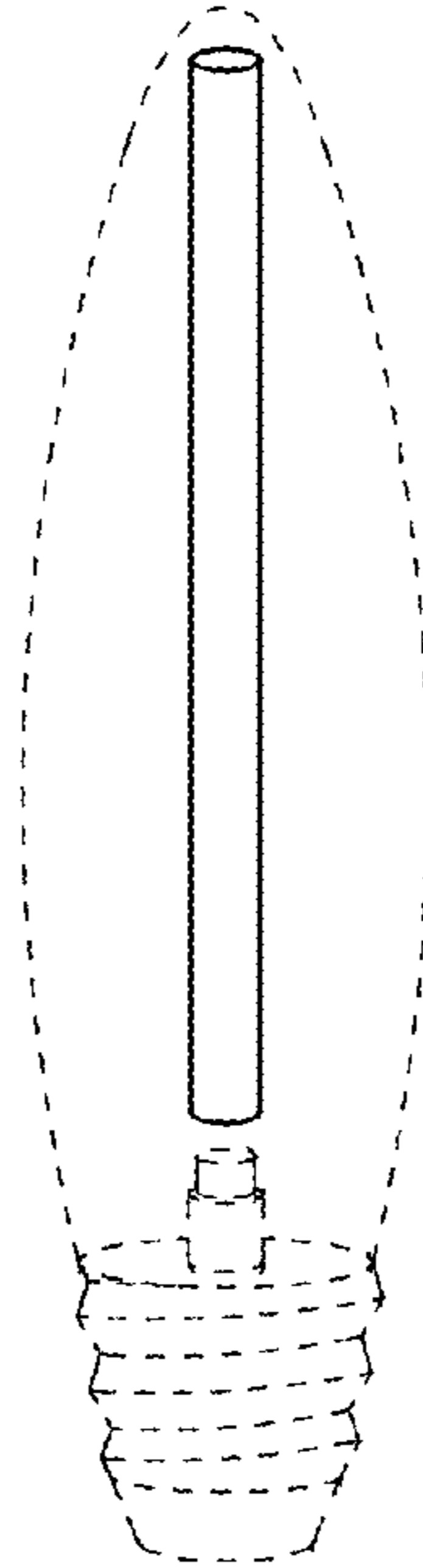


FIG. 14

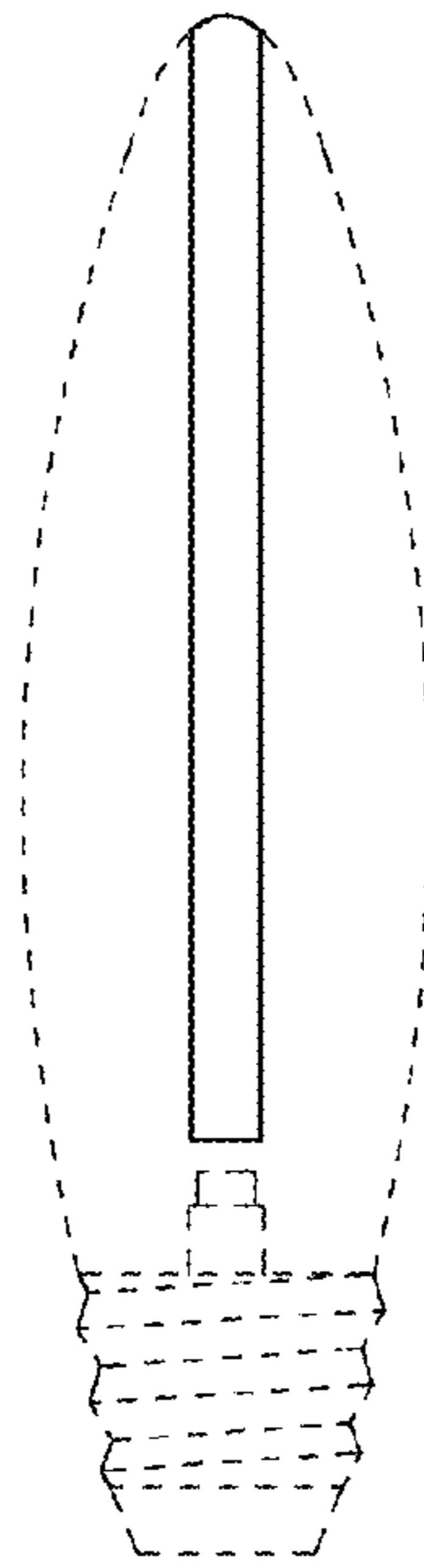


FIG. 15

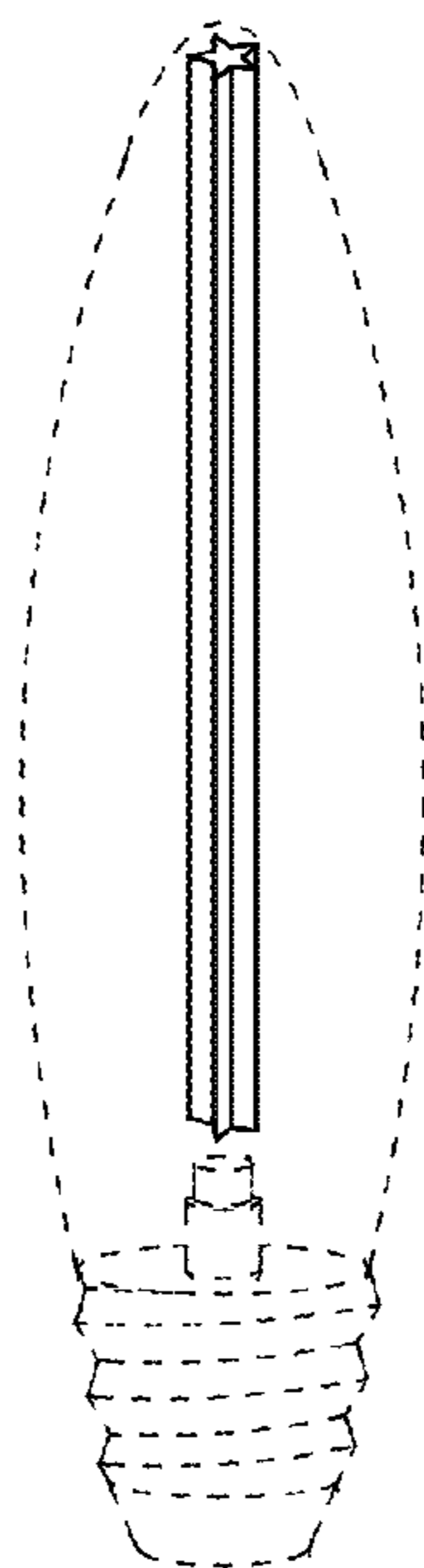


FIG. 16

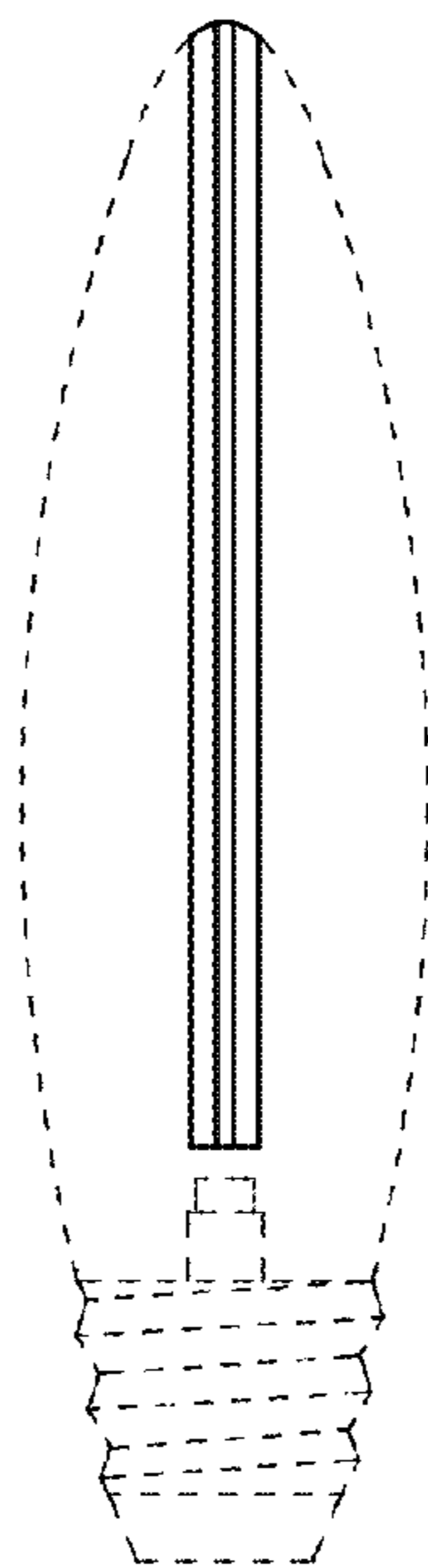


FIG. 17

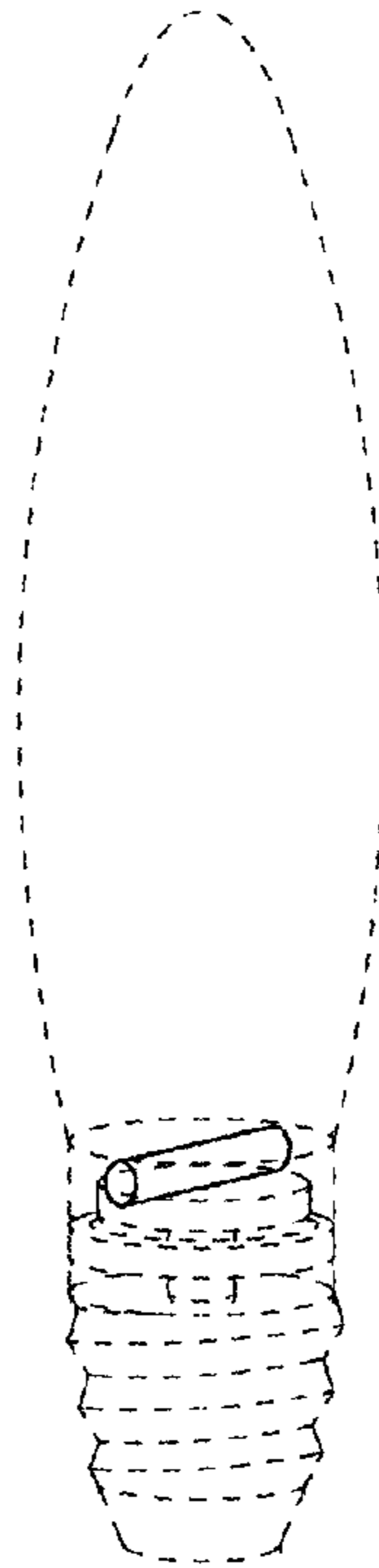


FIG. 18



FIG. 19

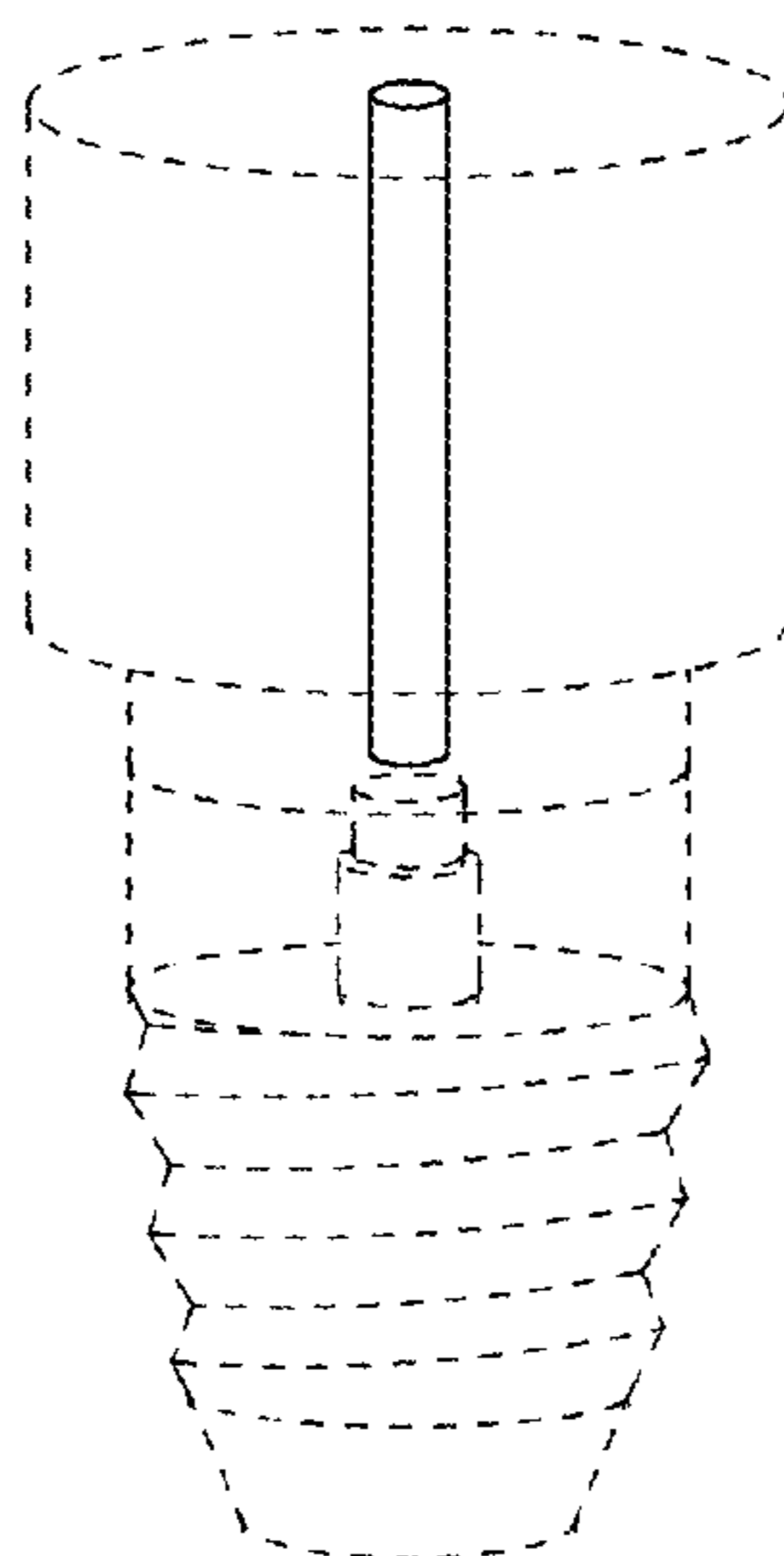


FIG. 20

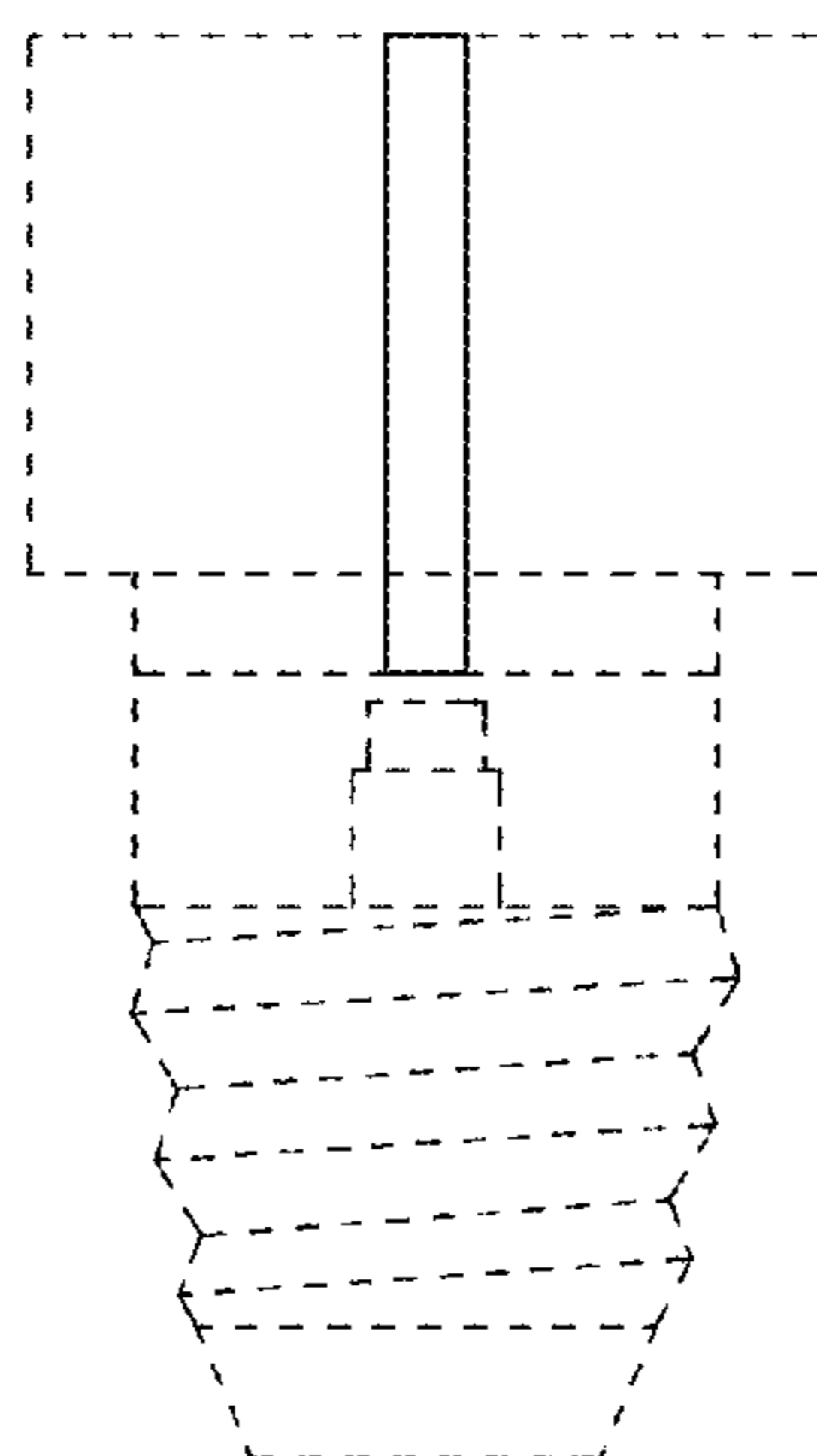


FIG. 21

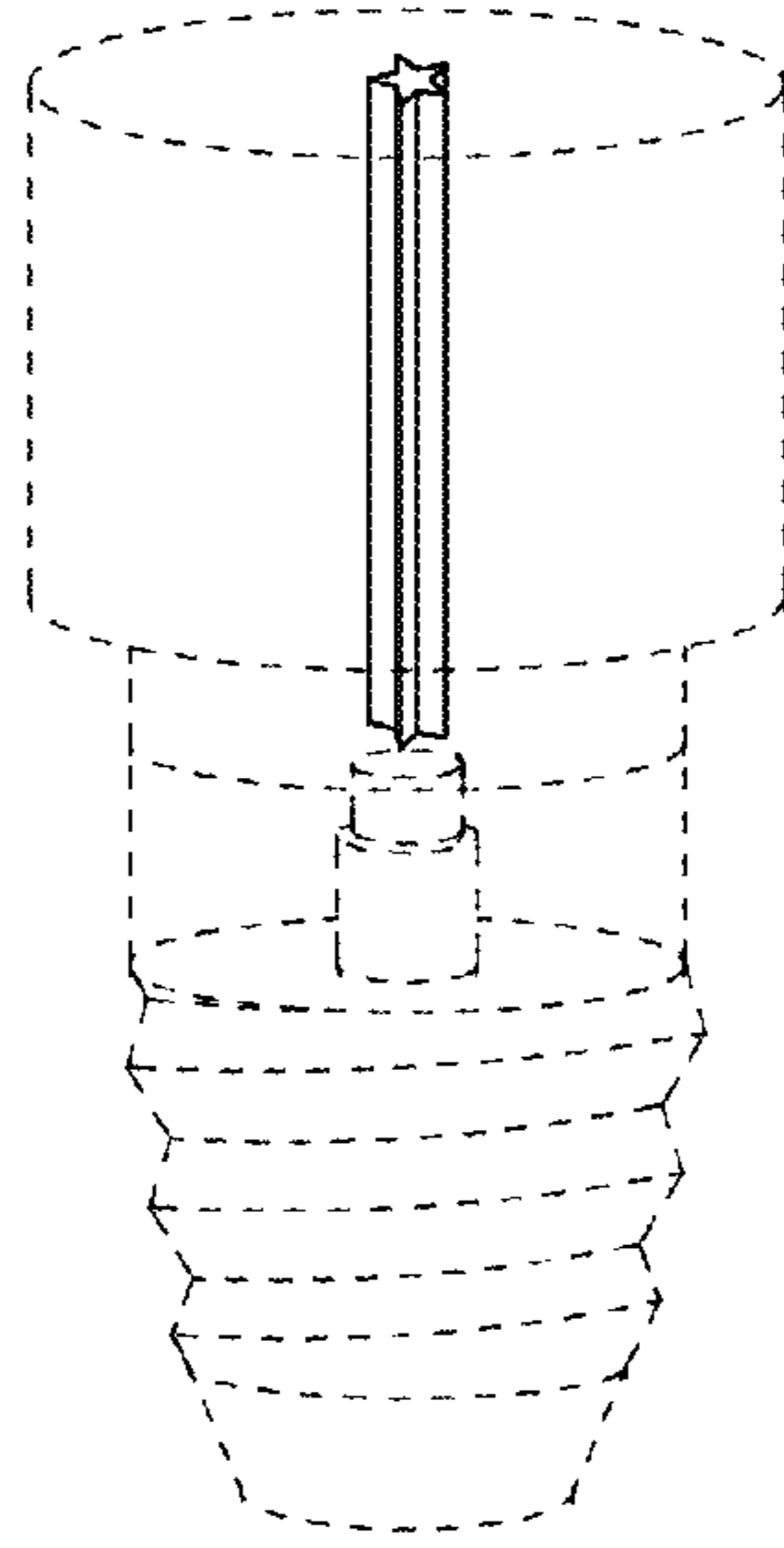


FIG. 22

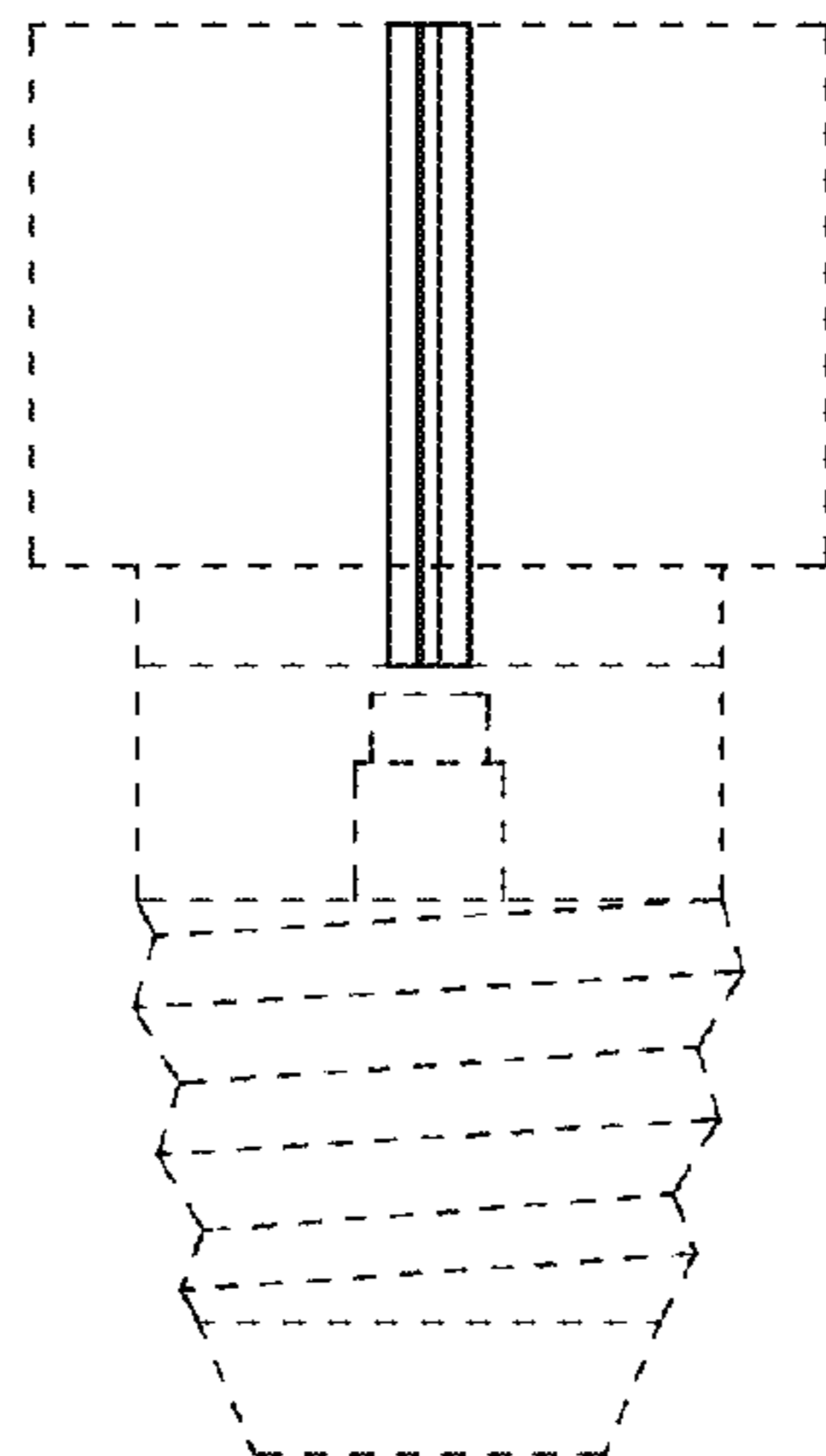


FIG. 23

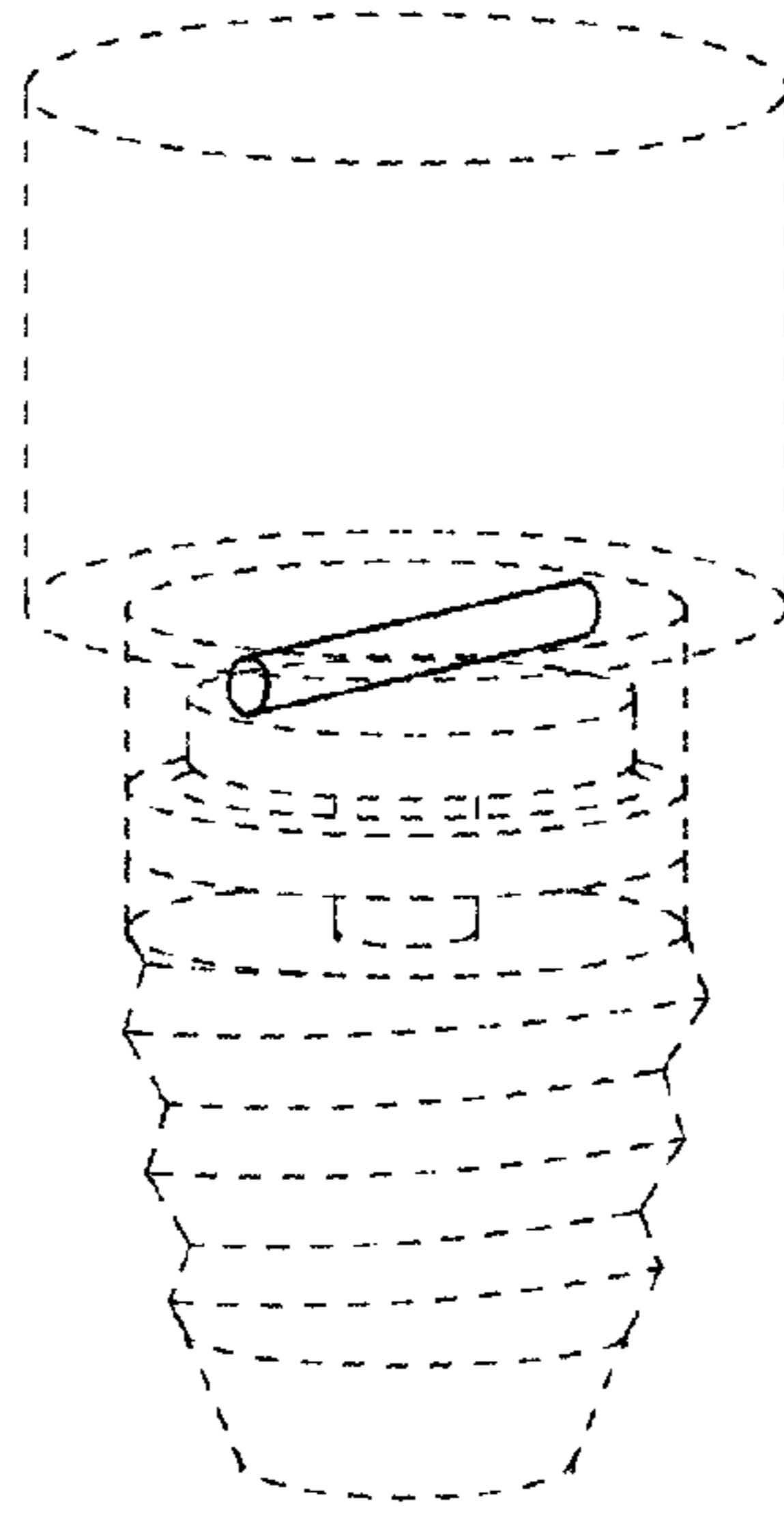


FIG. 24

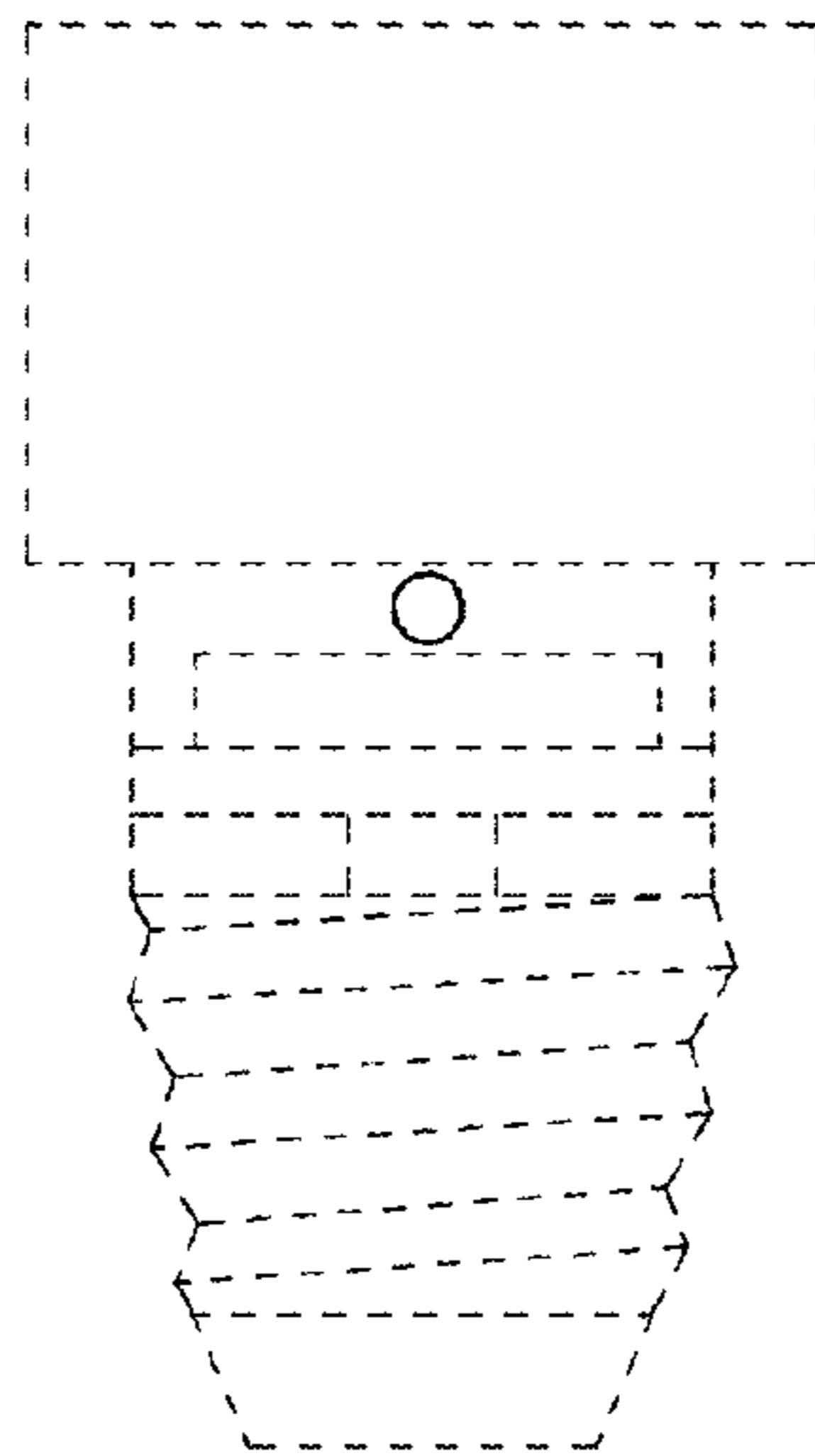


FIG. 25

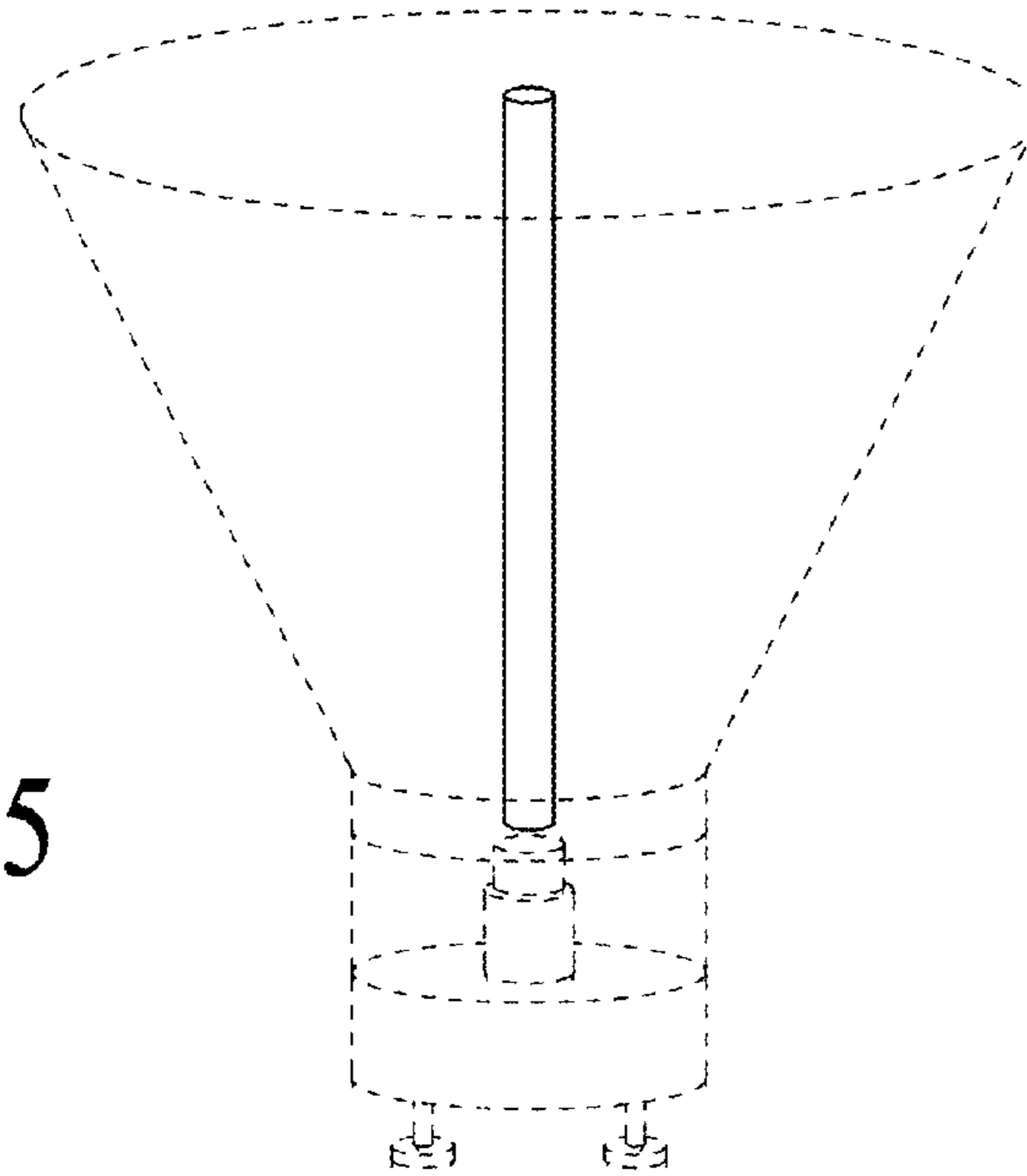


FIG. 26

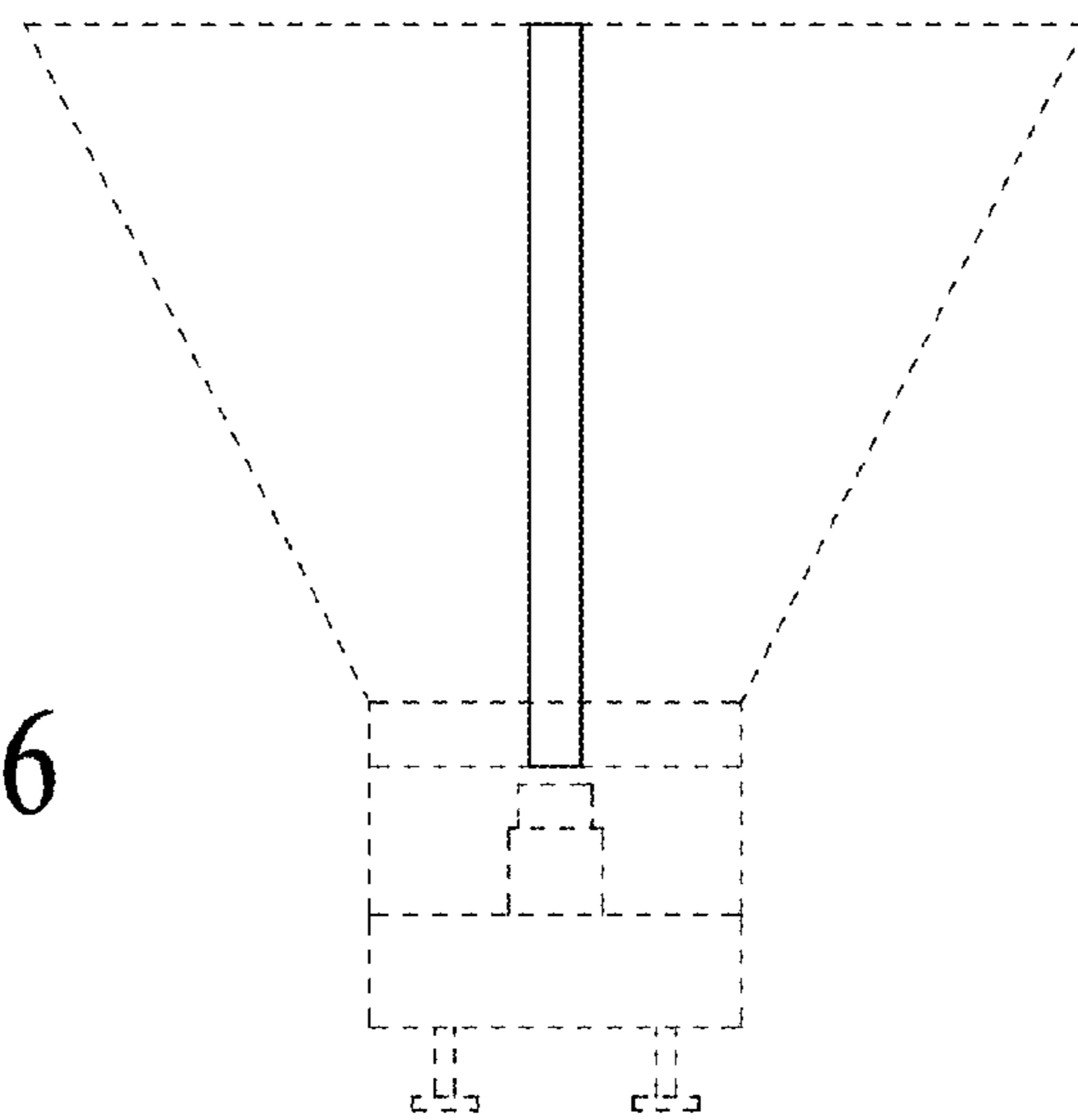


FIG. 27

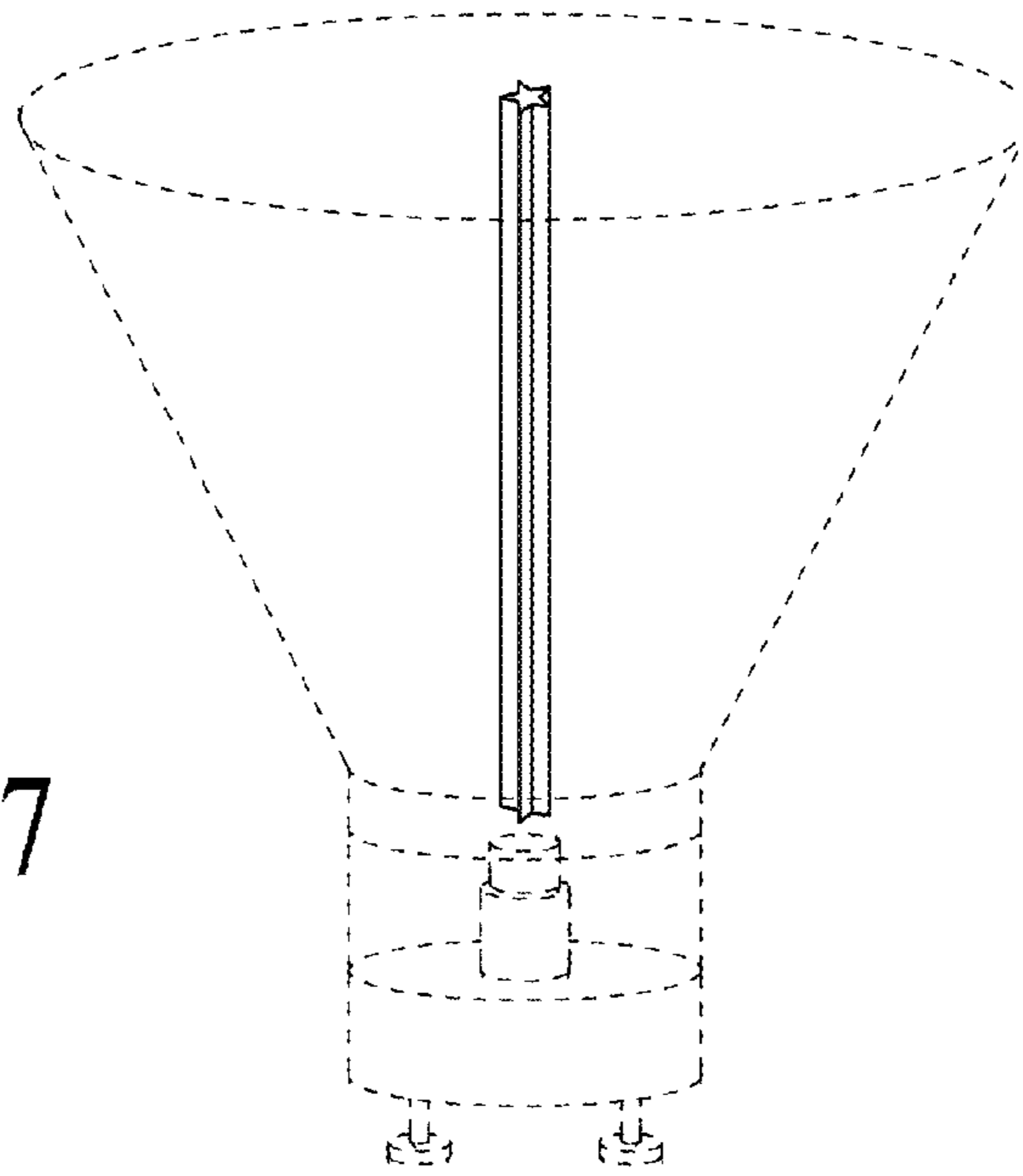


FIG. 28

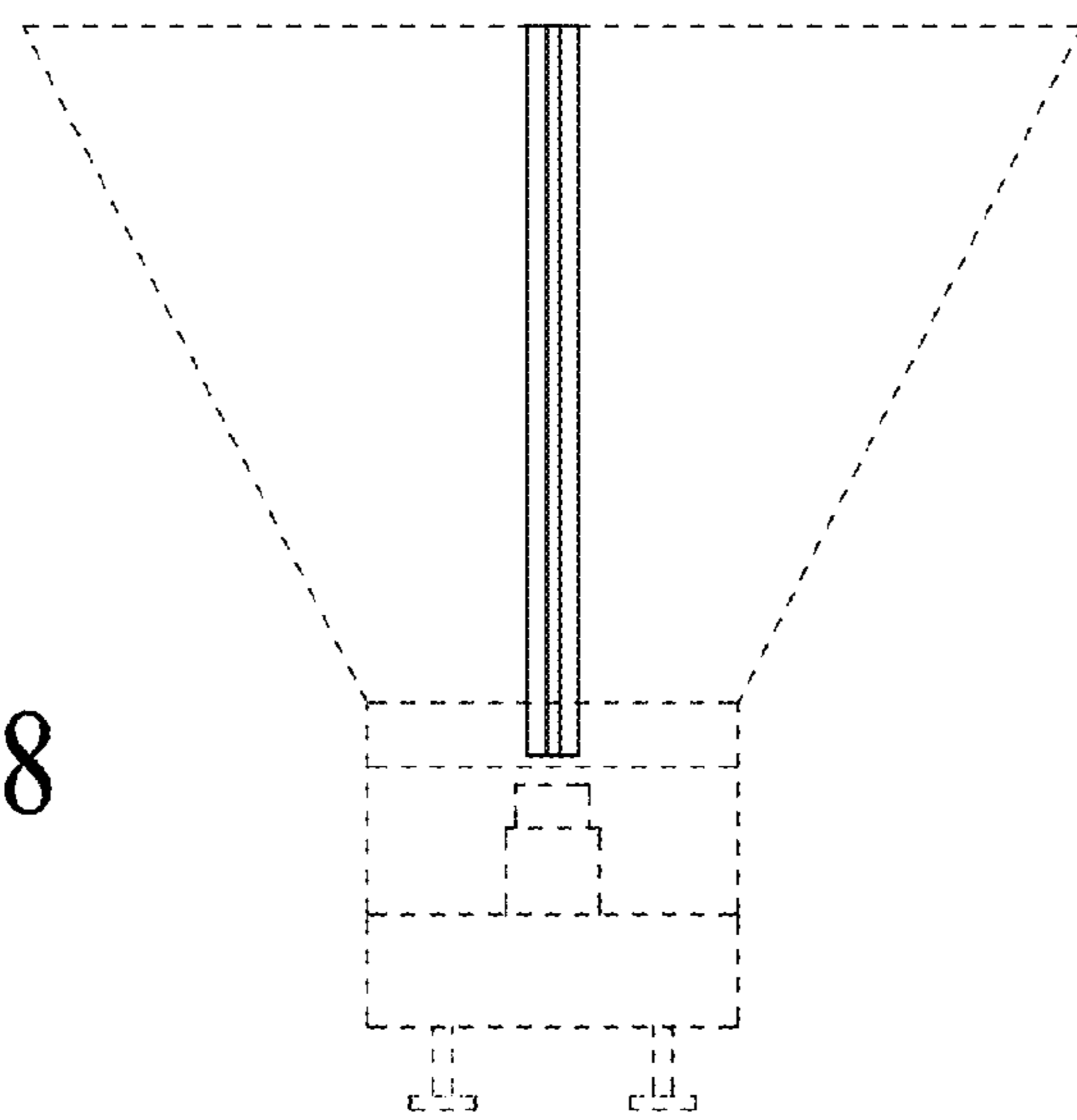


FIG. 29

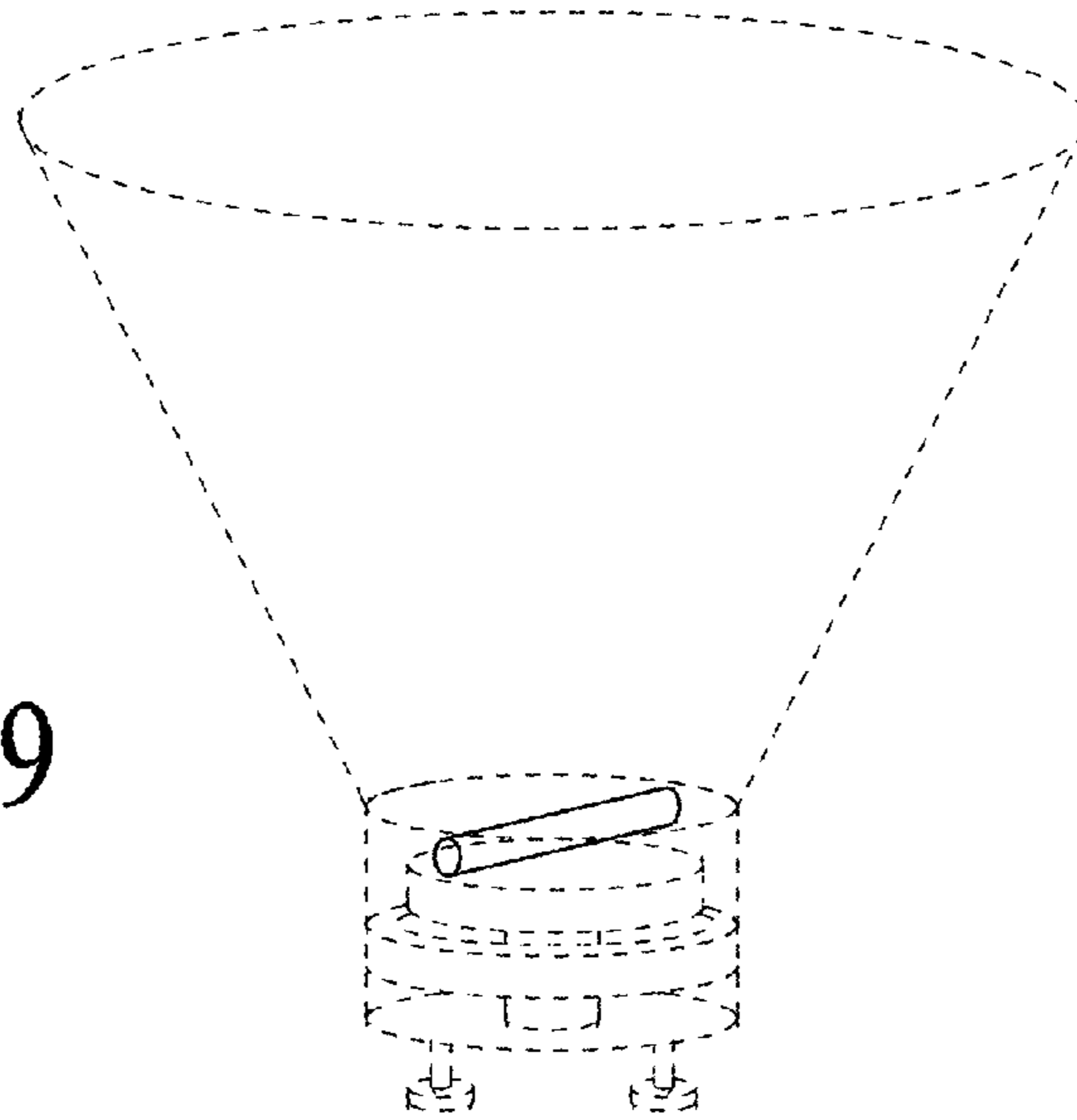


FIG. 30

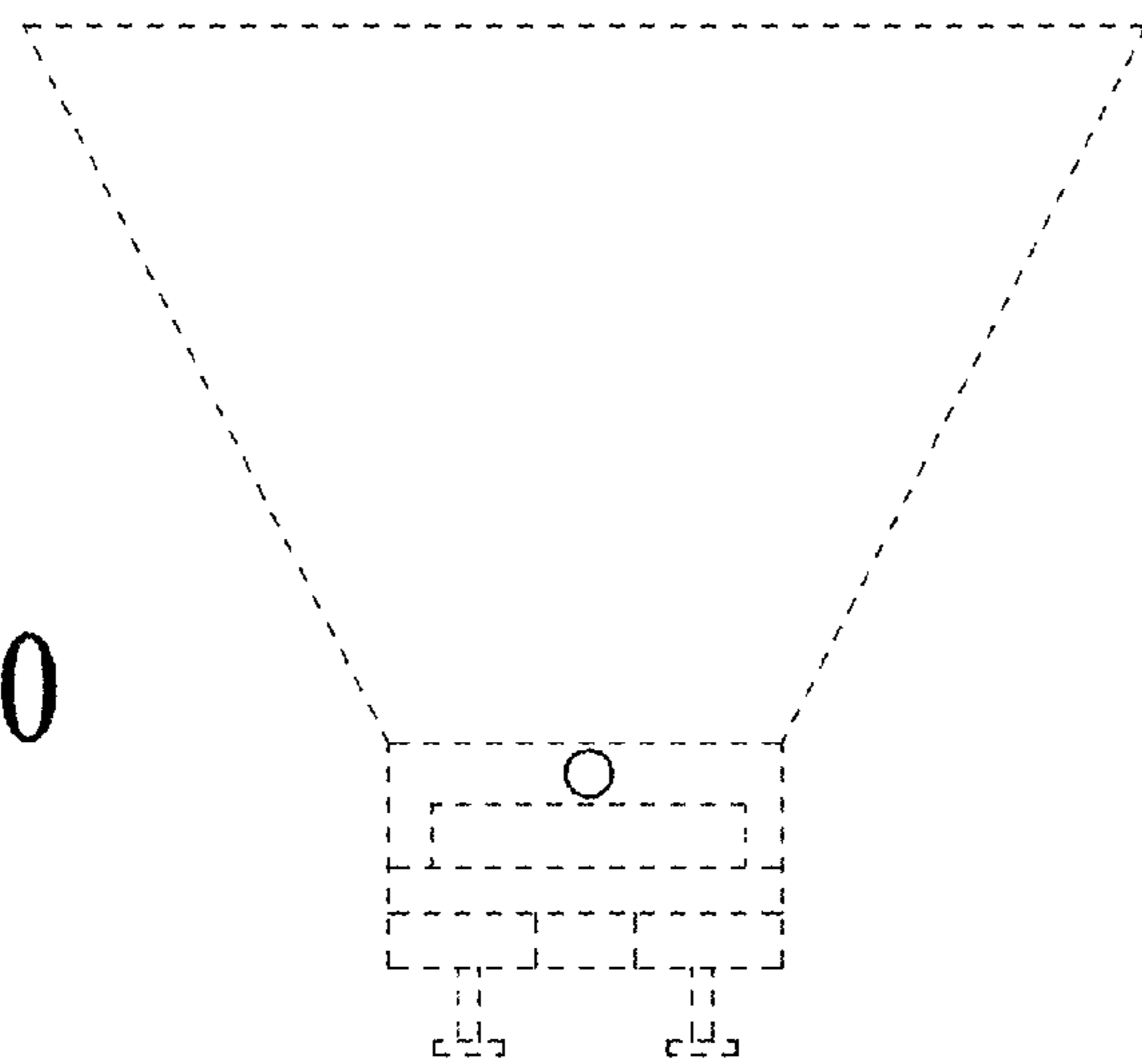


FIG. 31

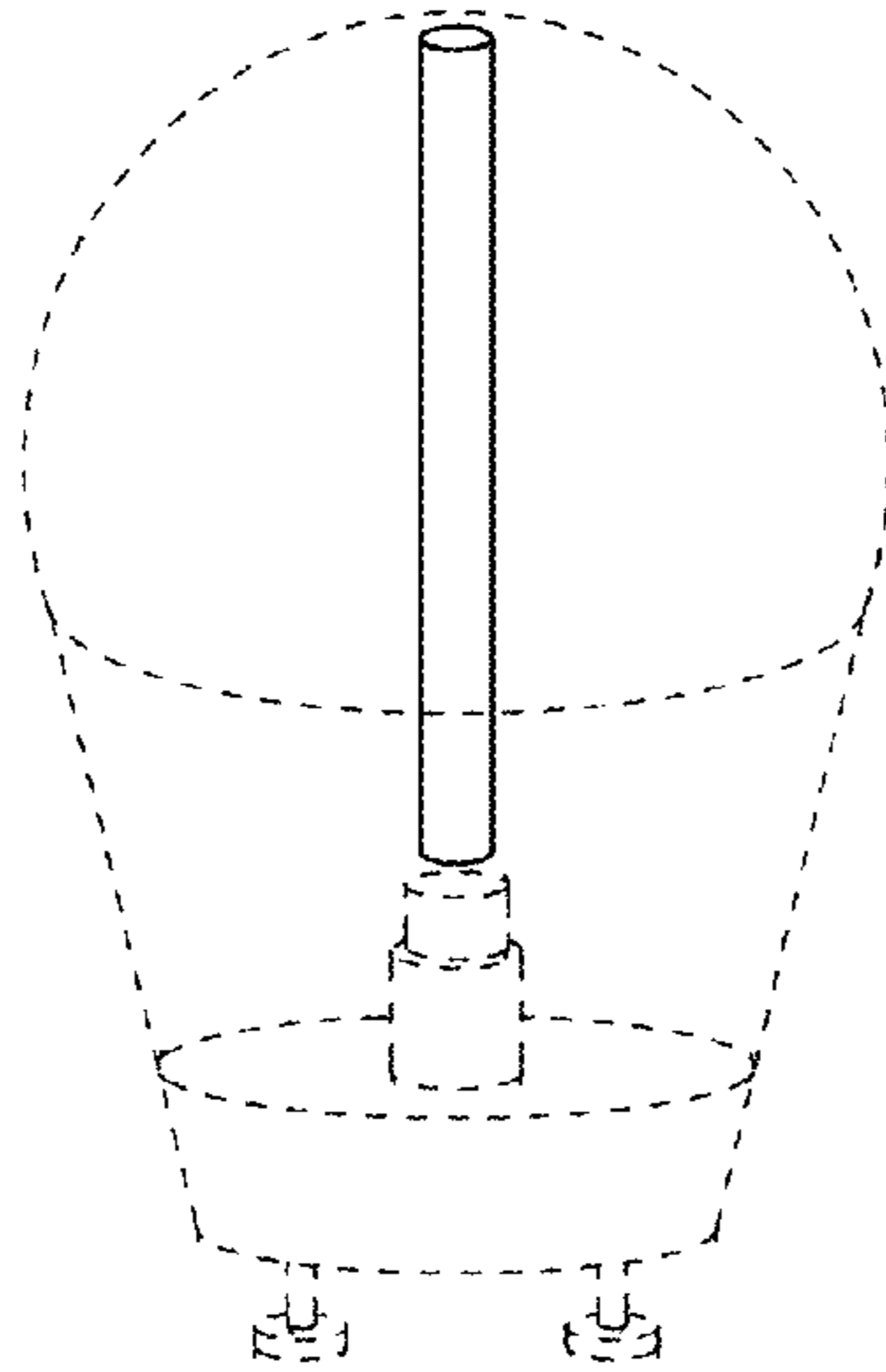


FIG. 32

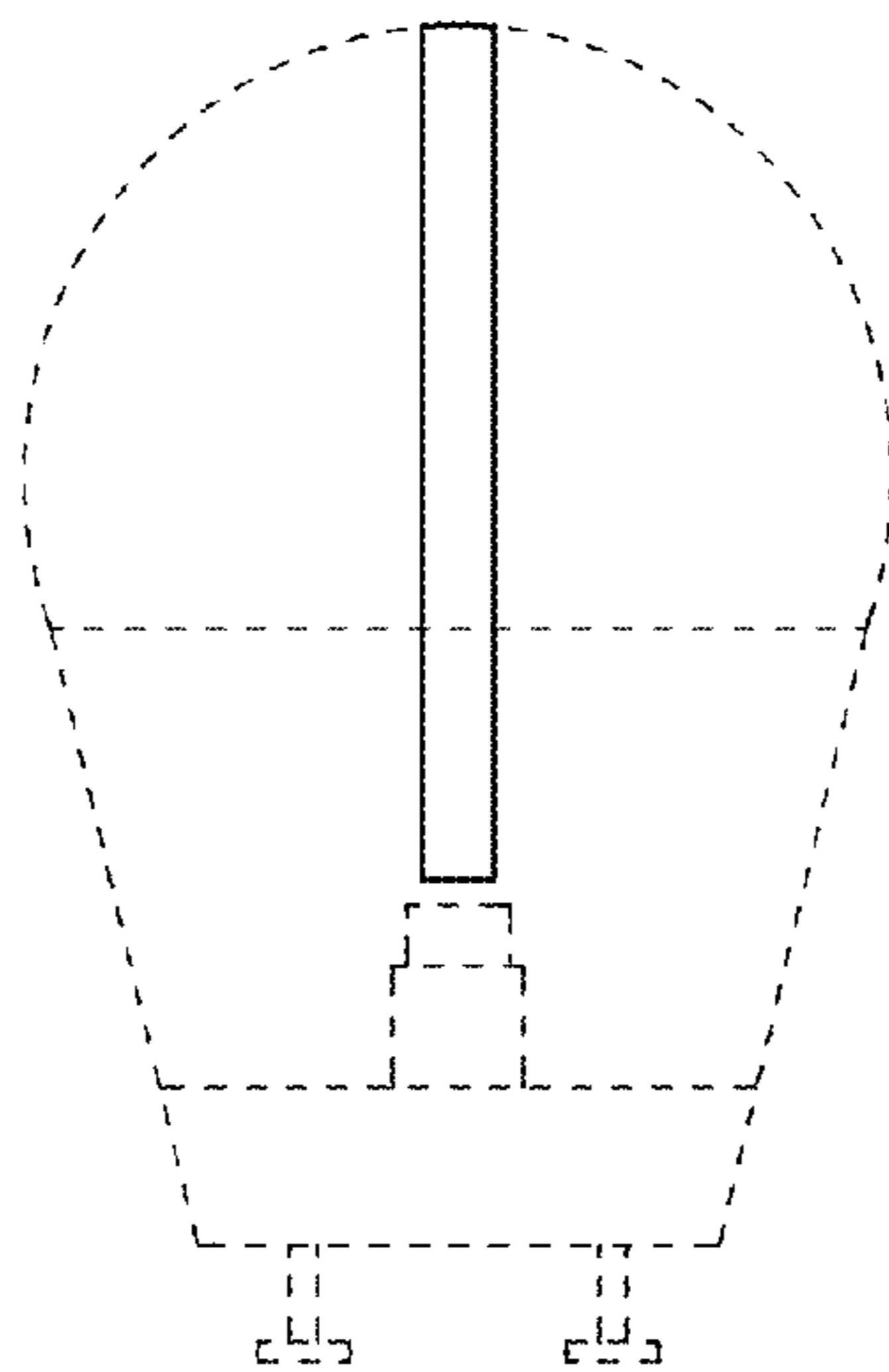


FIG. 33

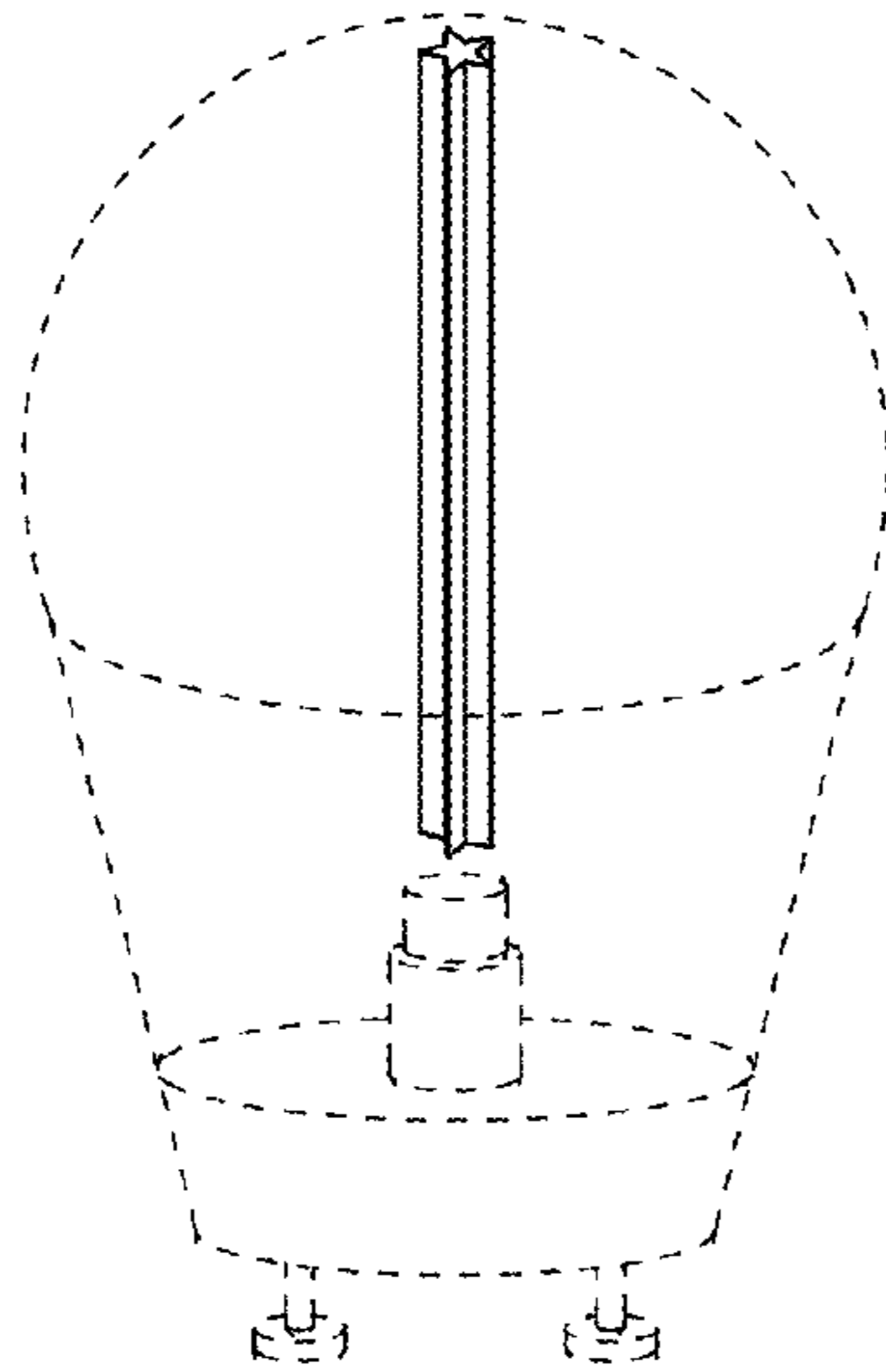


FIG. 34

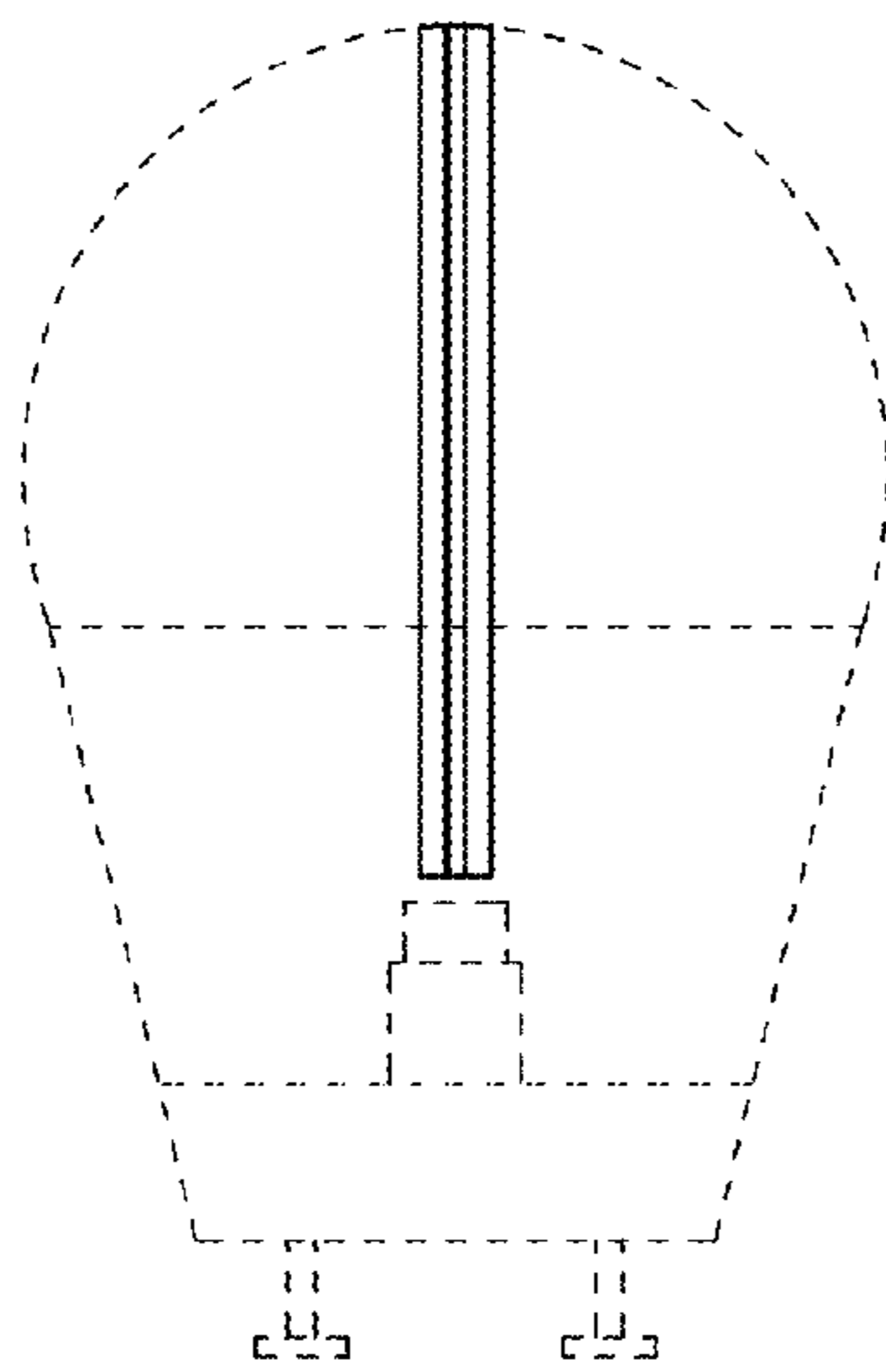


FIG. 35

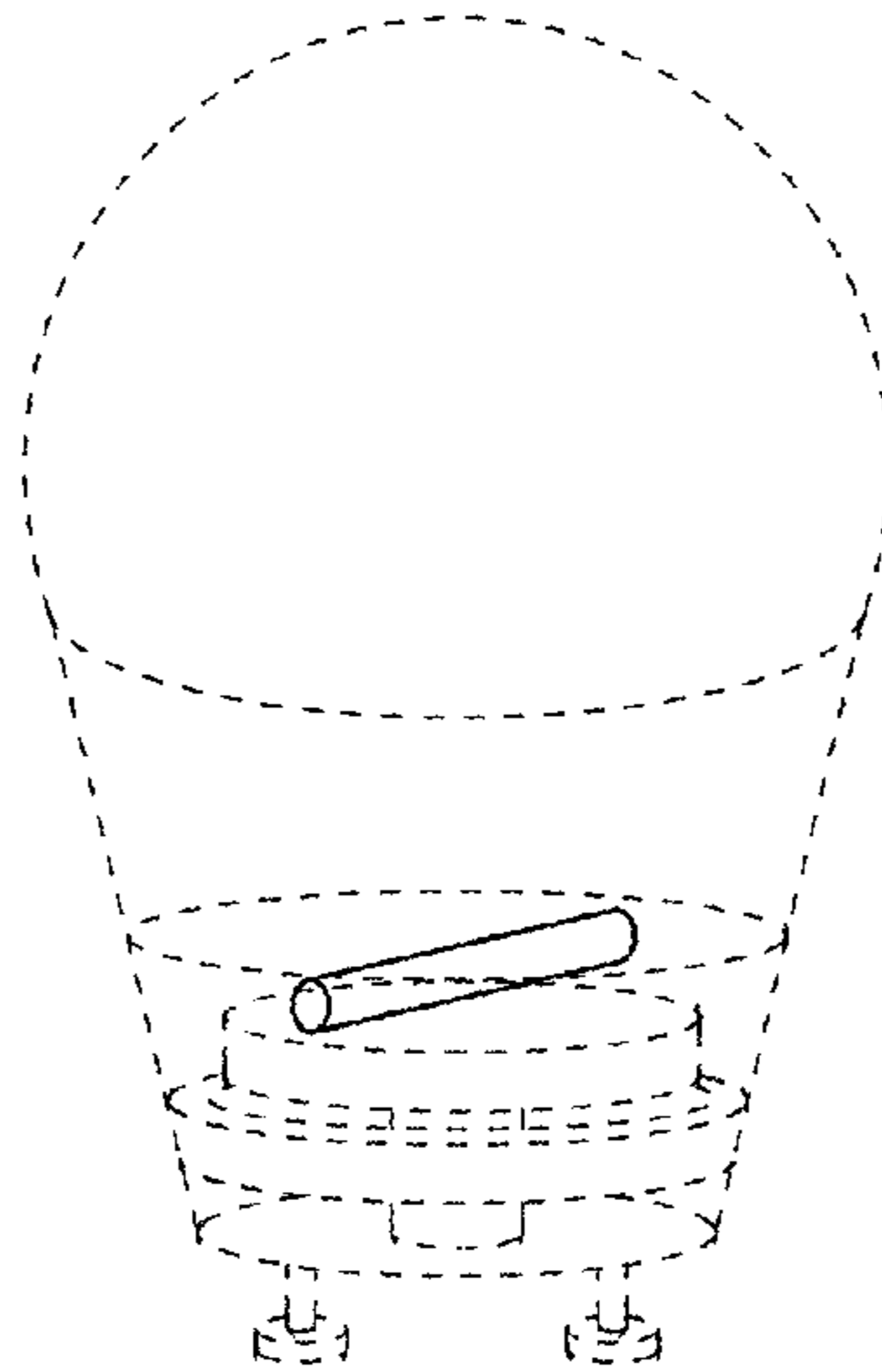


FIG. 36

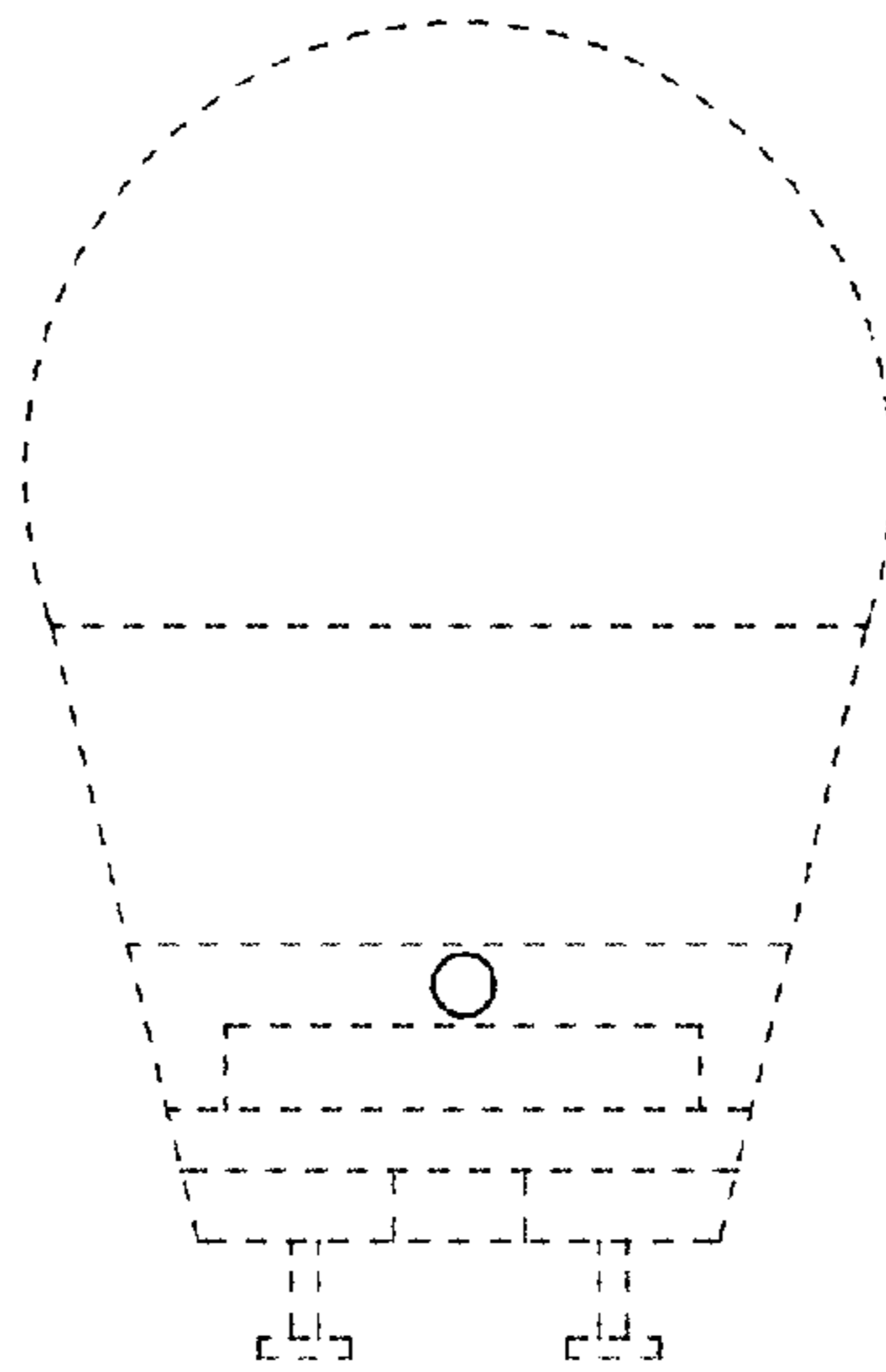


FIG. 37

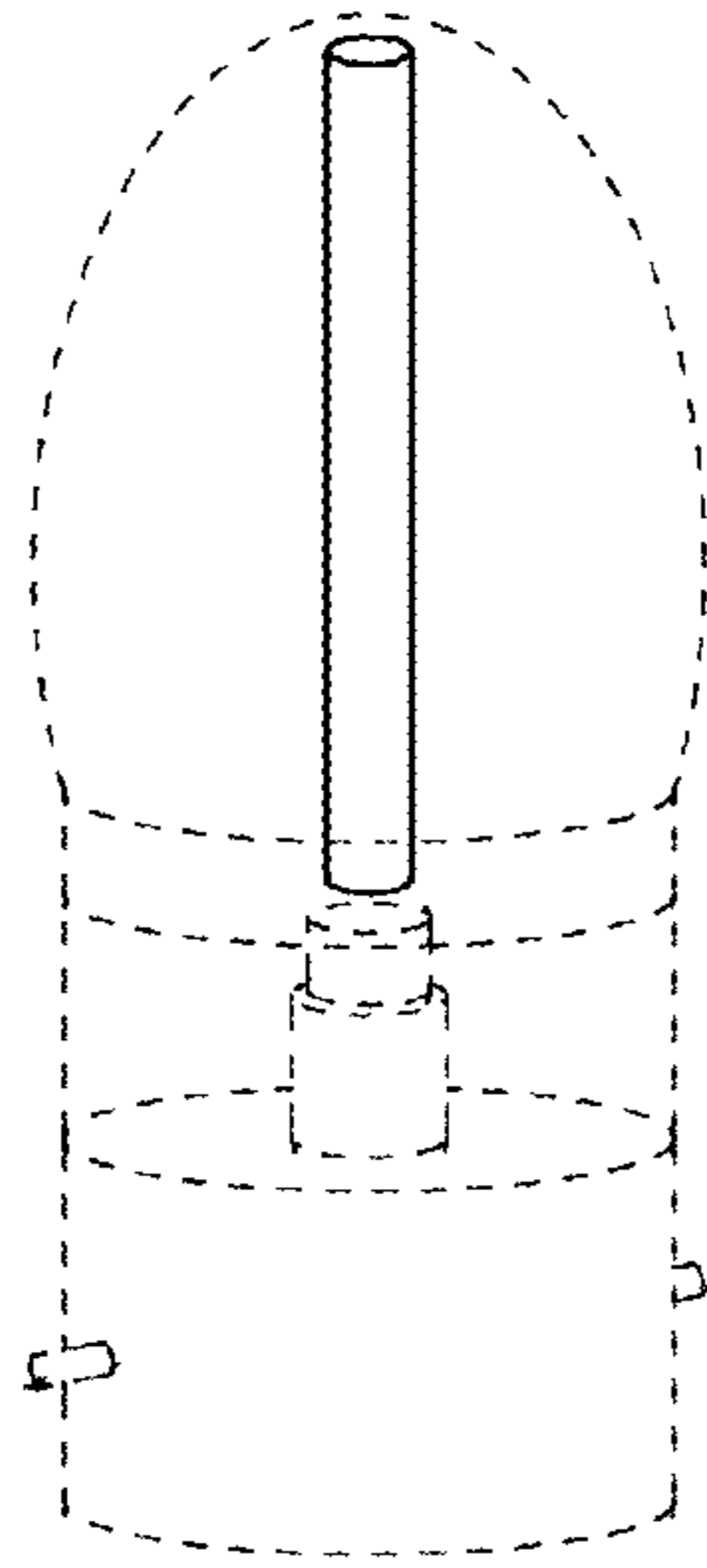


FIG. 38

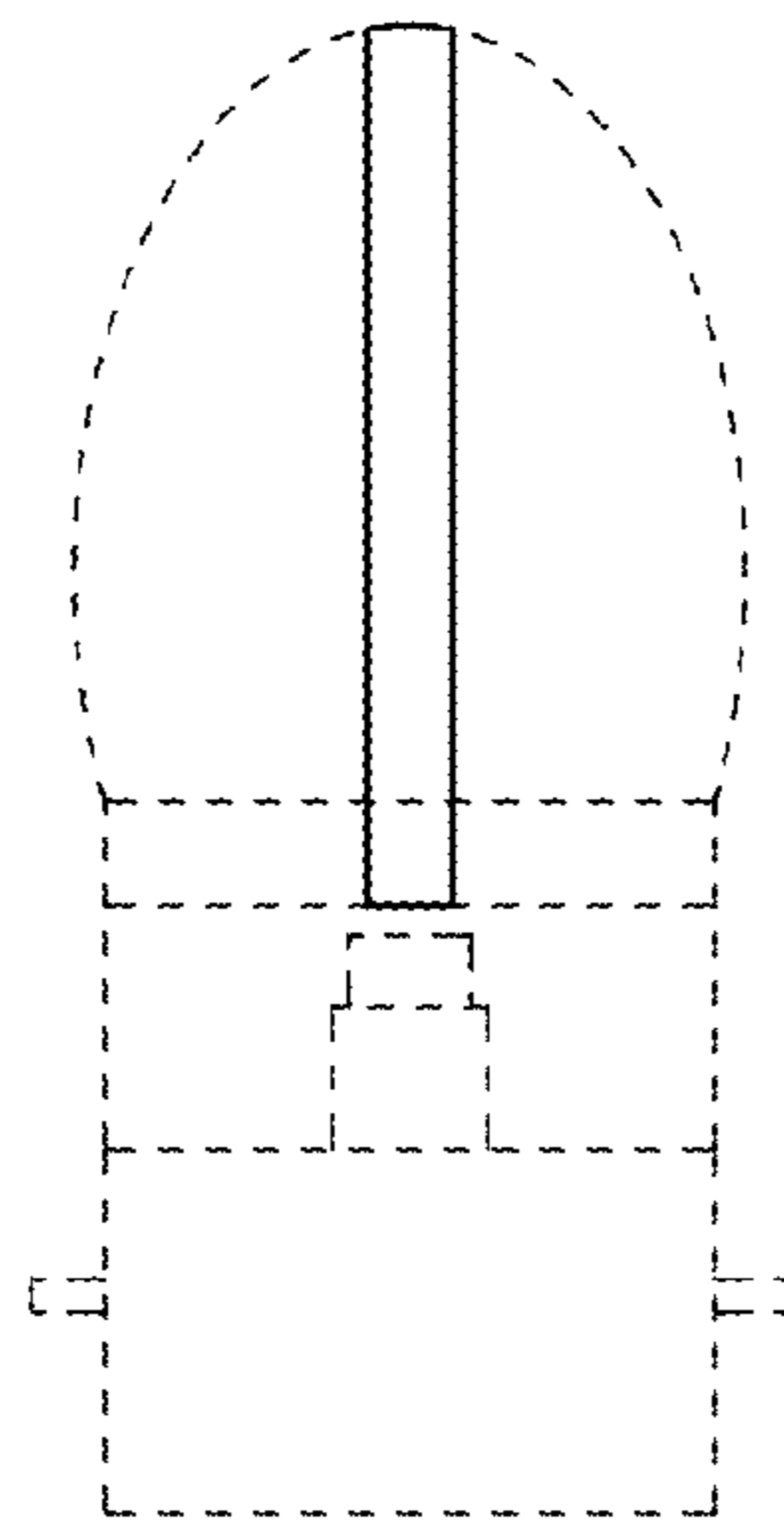


FIG. 39

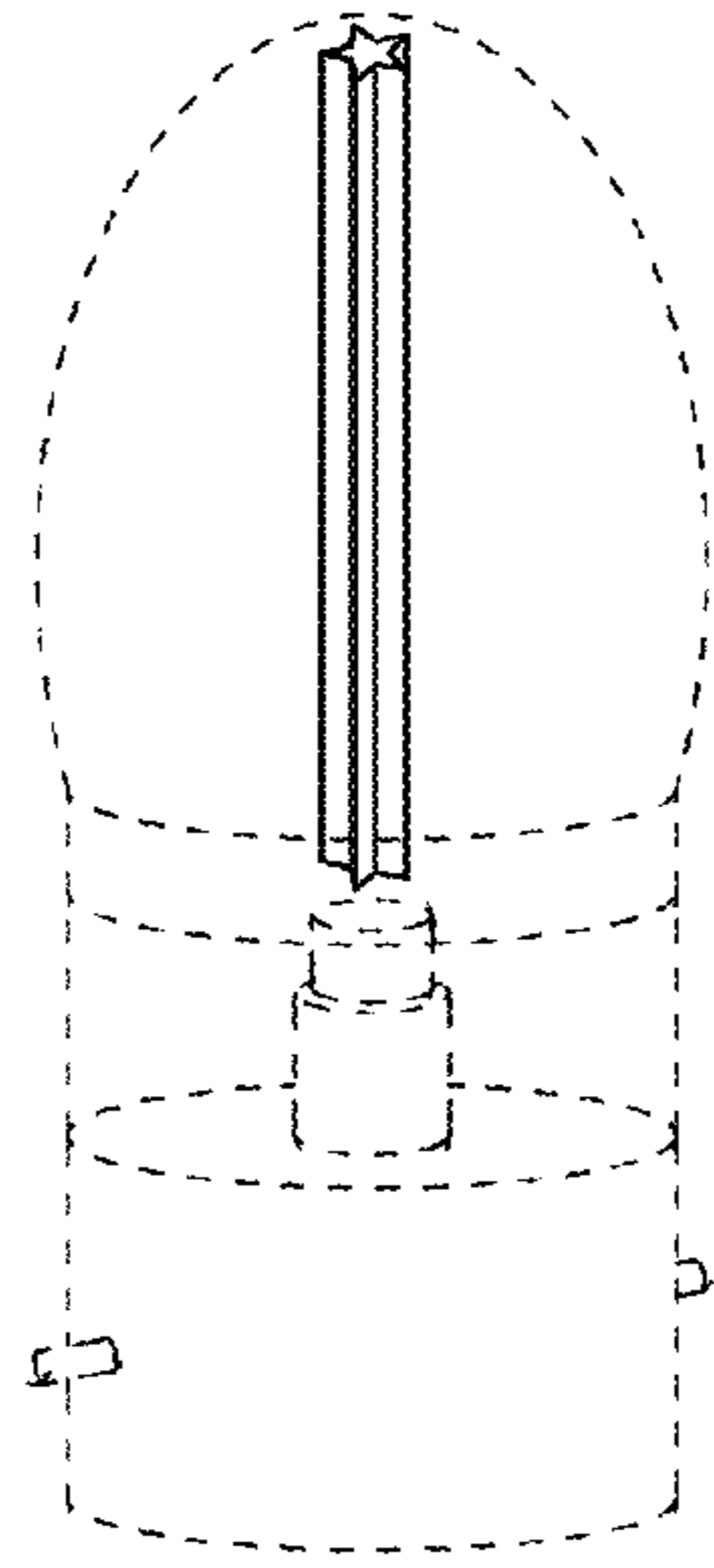


FIG. 40

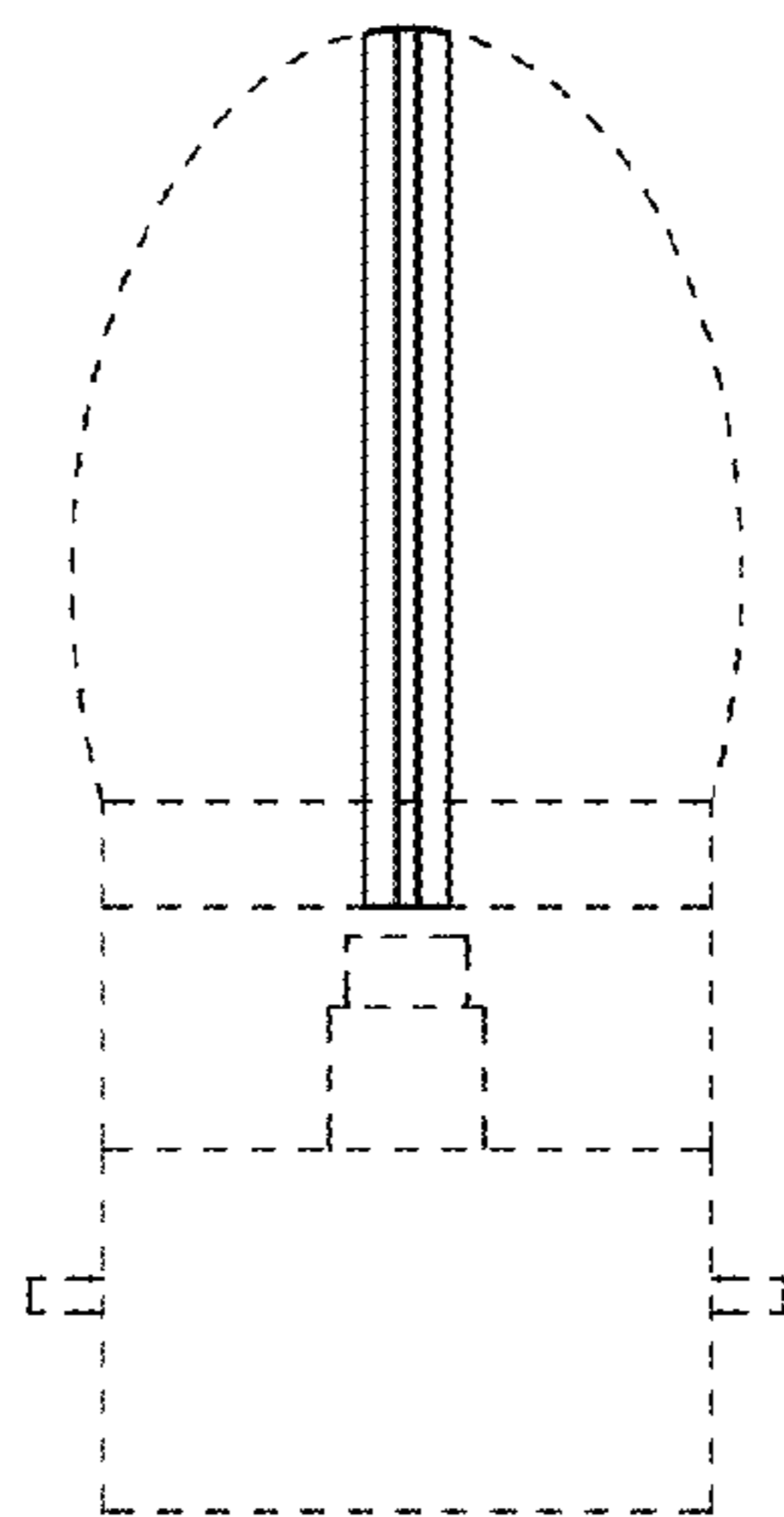


FIG. 41

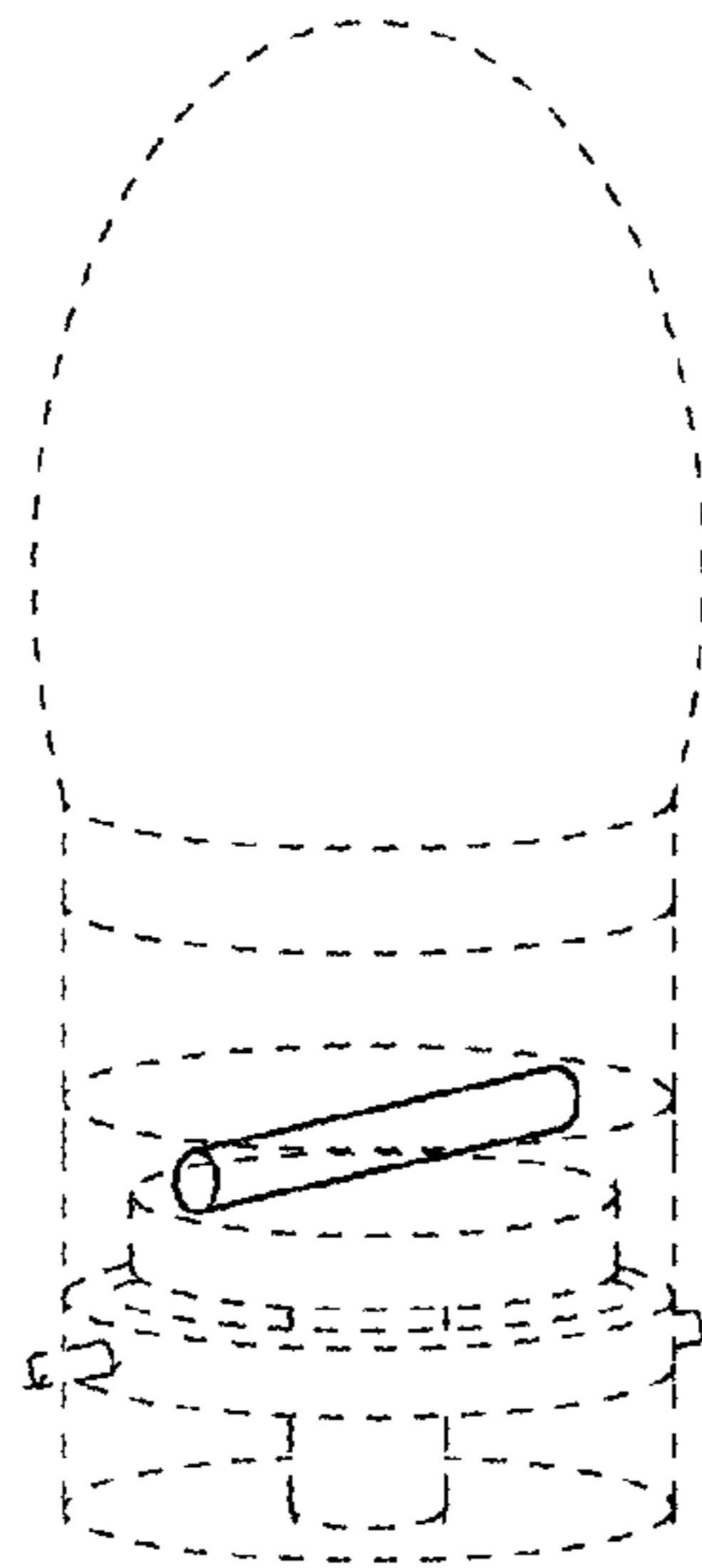
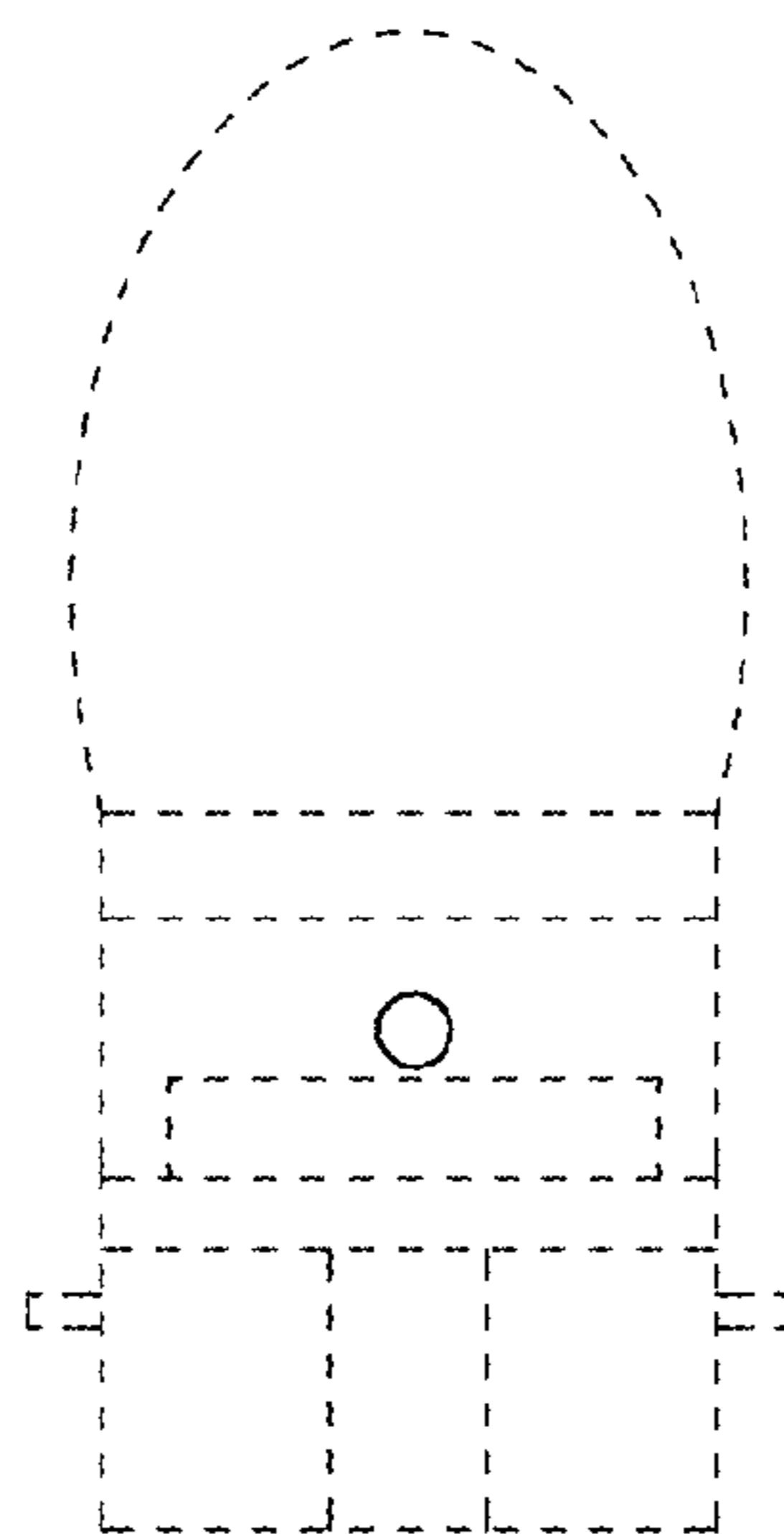


FIG. 42



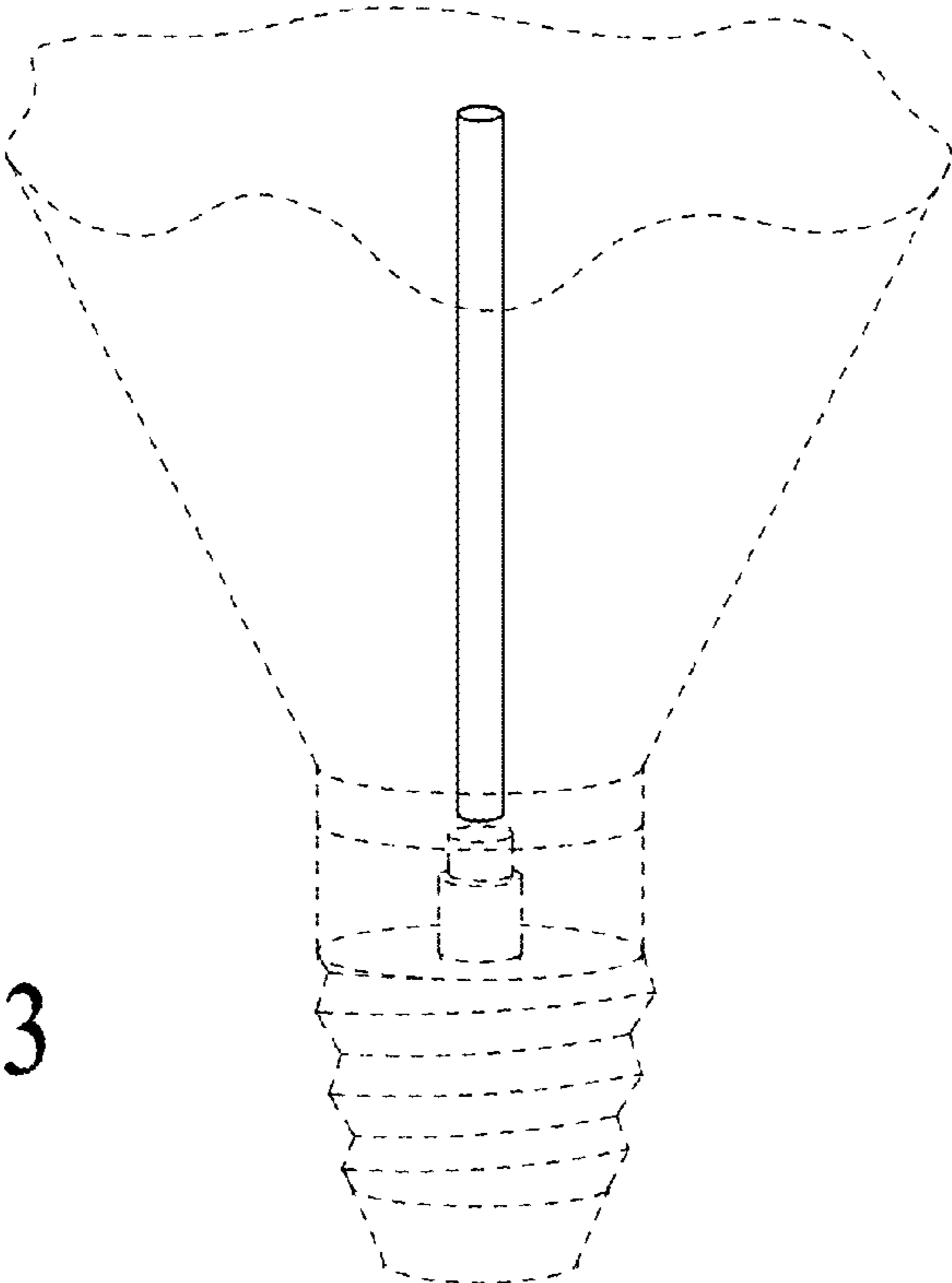


FIG. 43

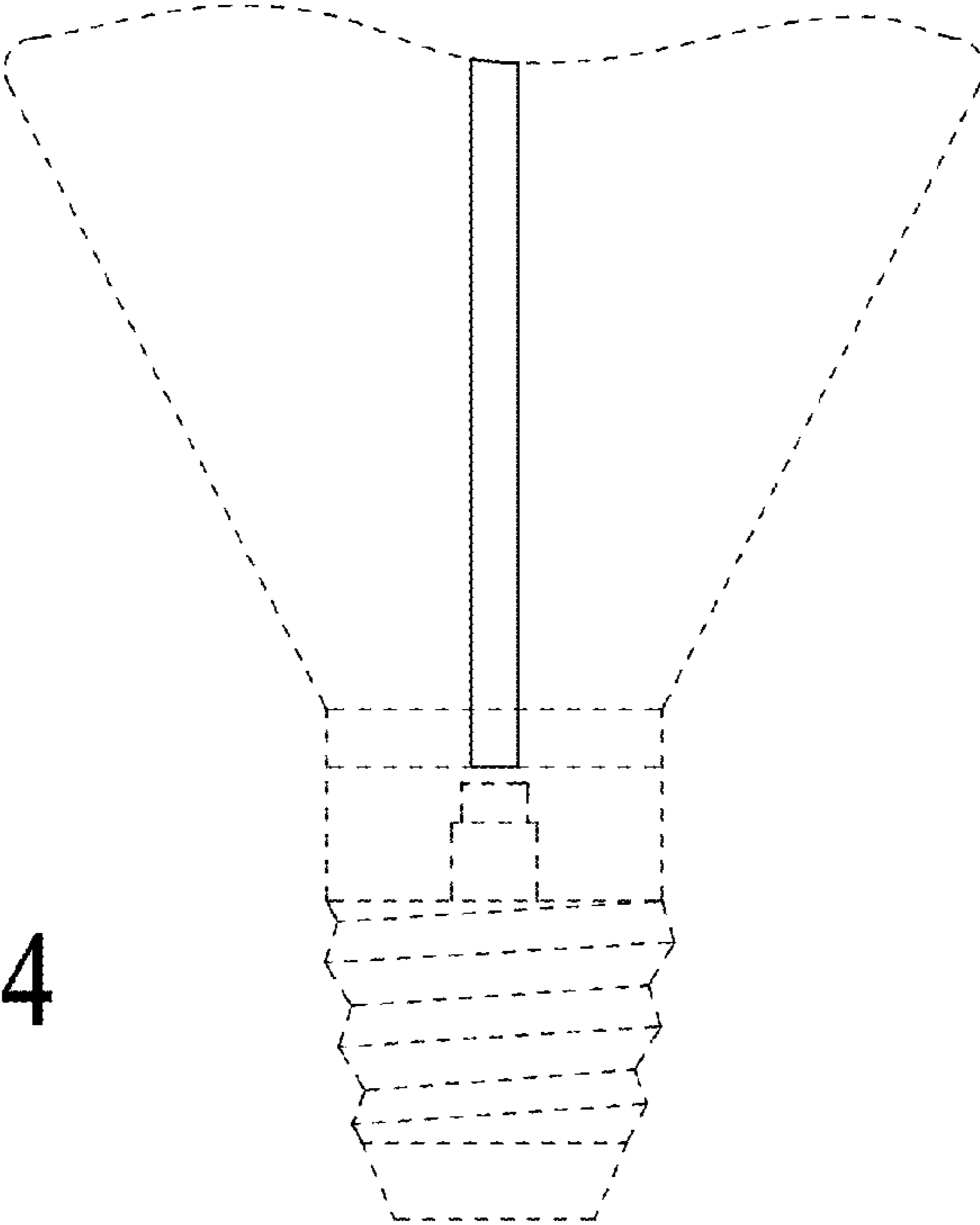


FIG. 44

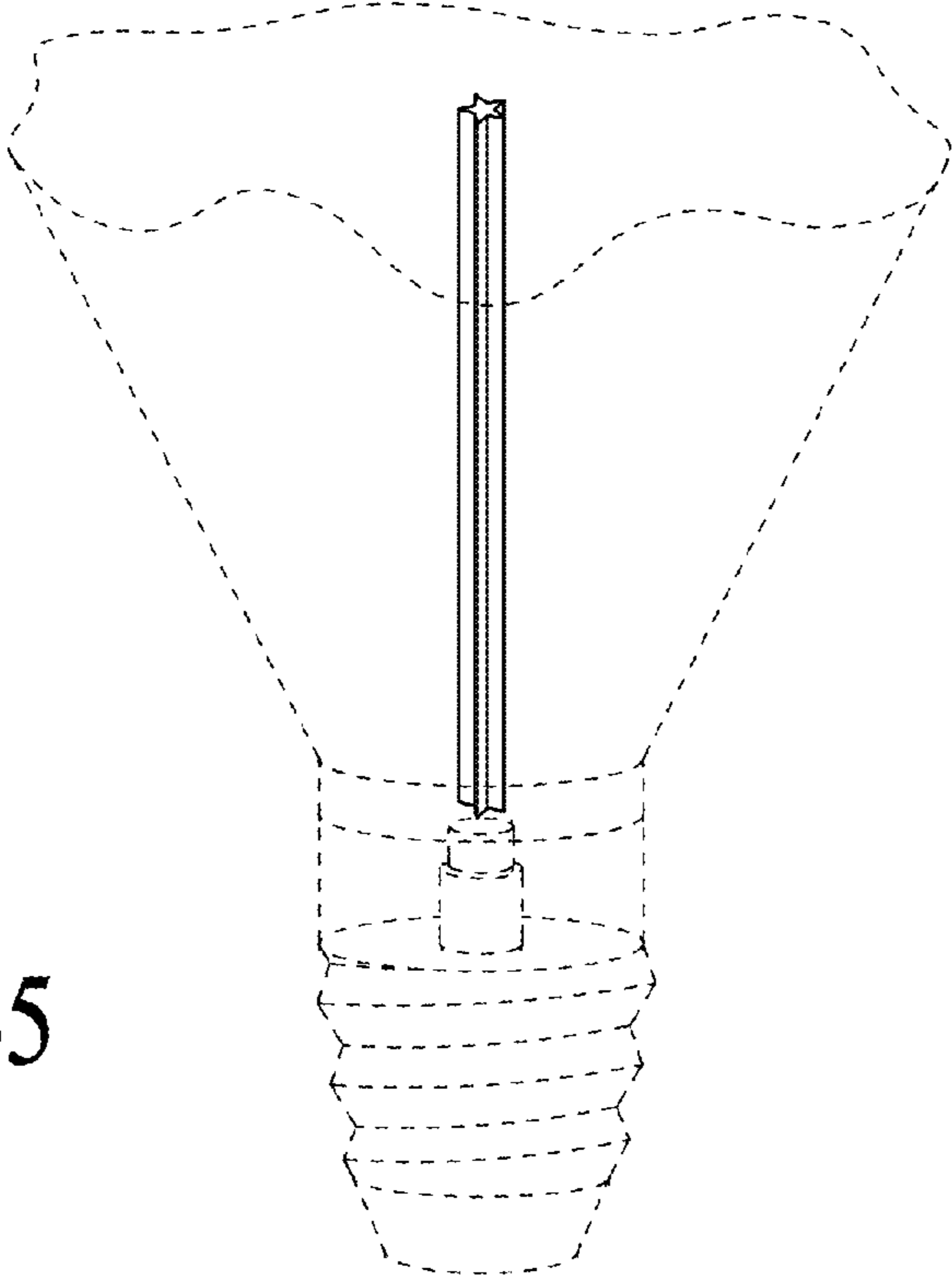


FIG. 45

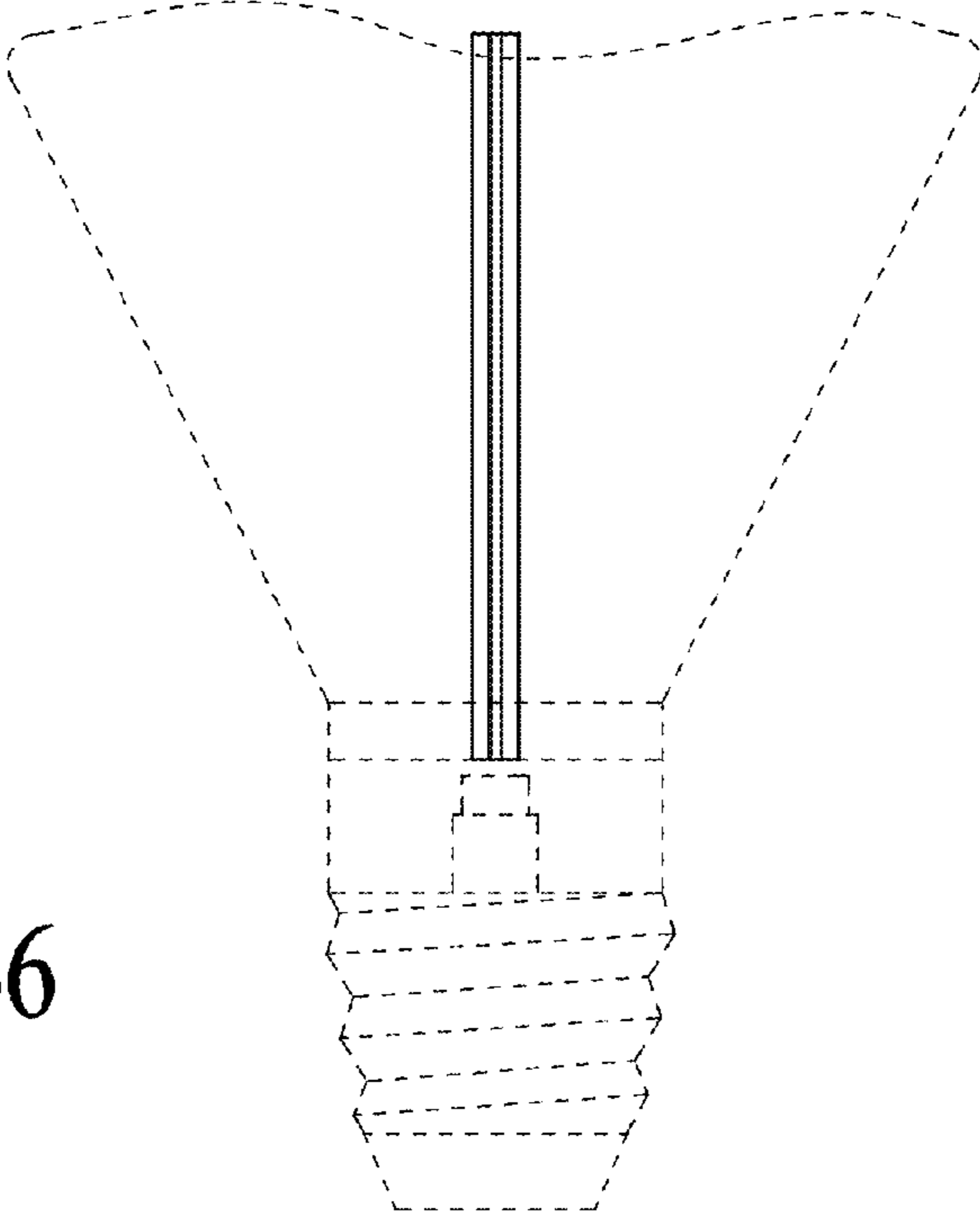


FIG. 46

FIG. 47

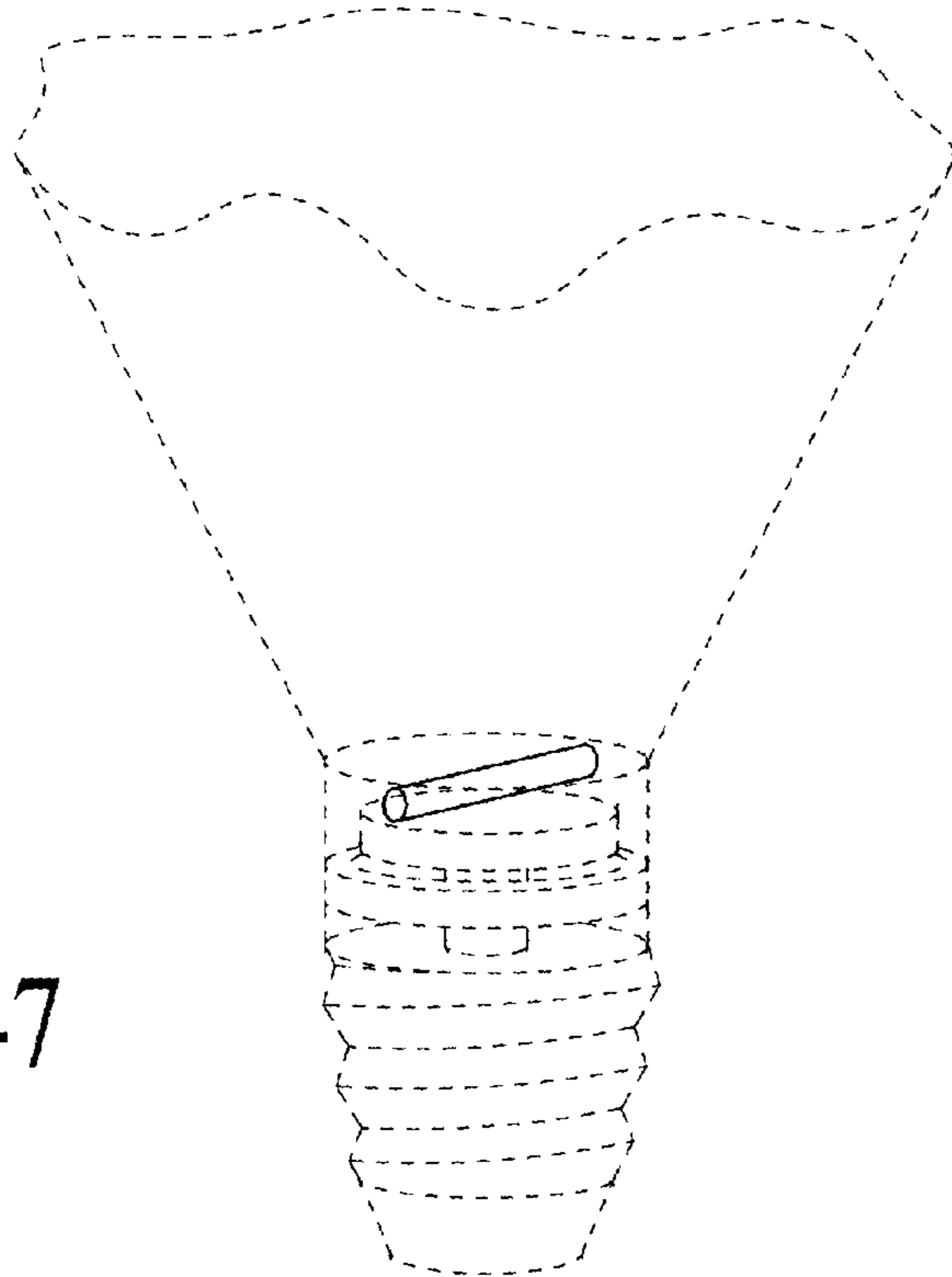


FIG. 48

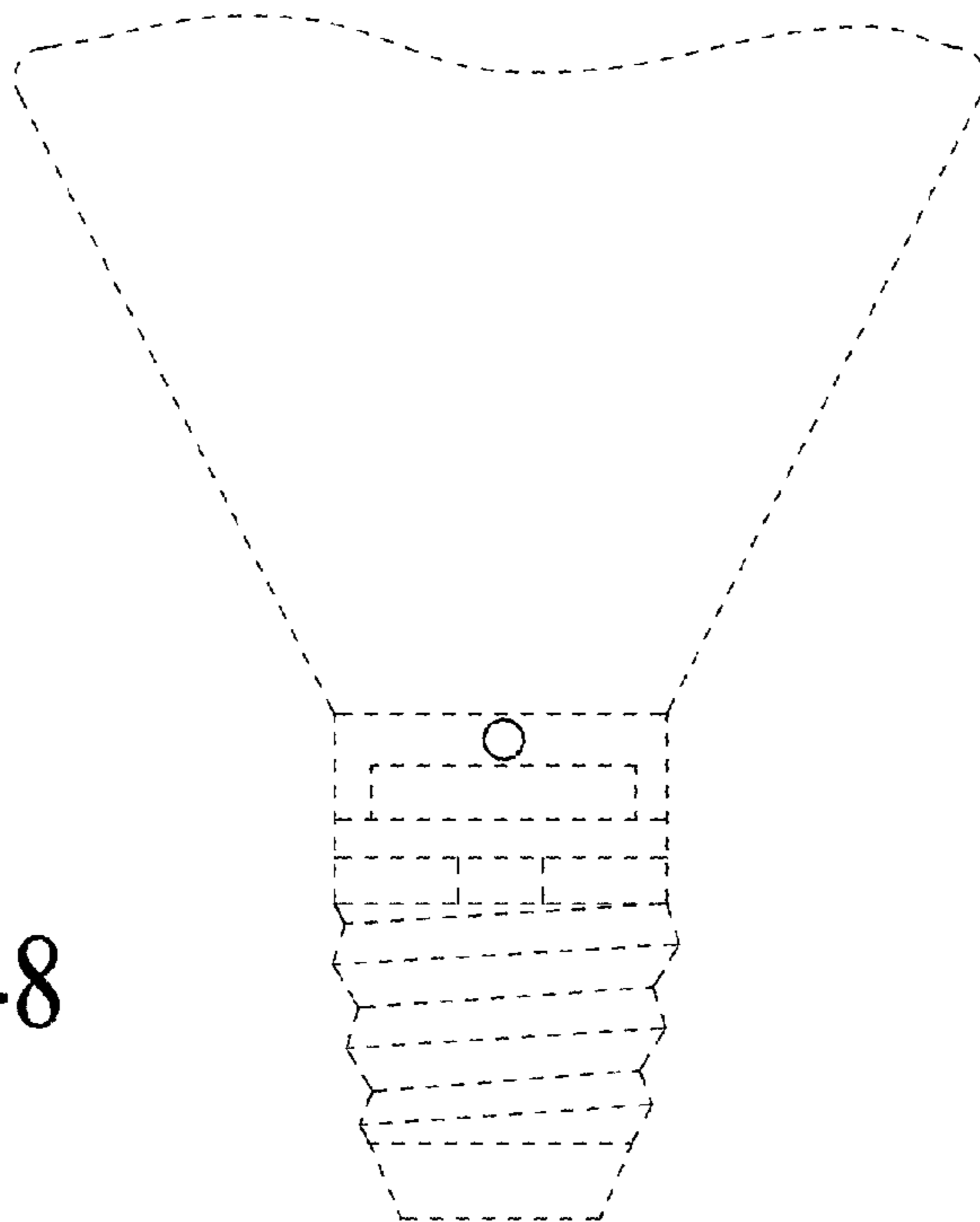


FIG. 49

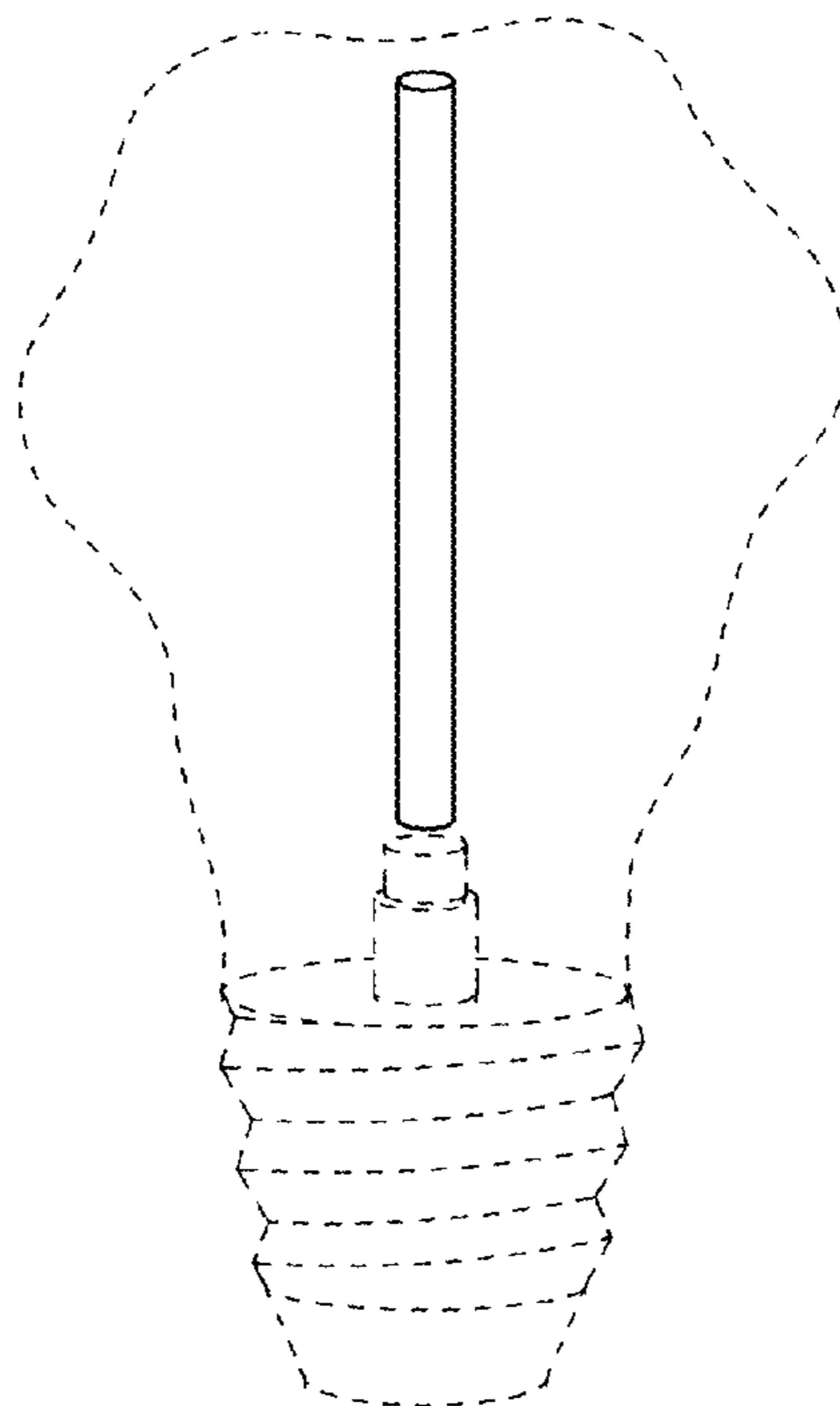


FIG. 50

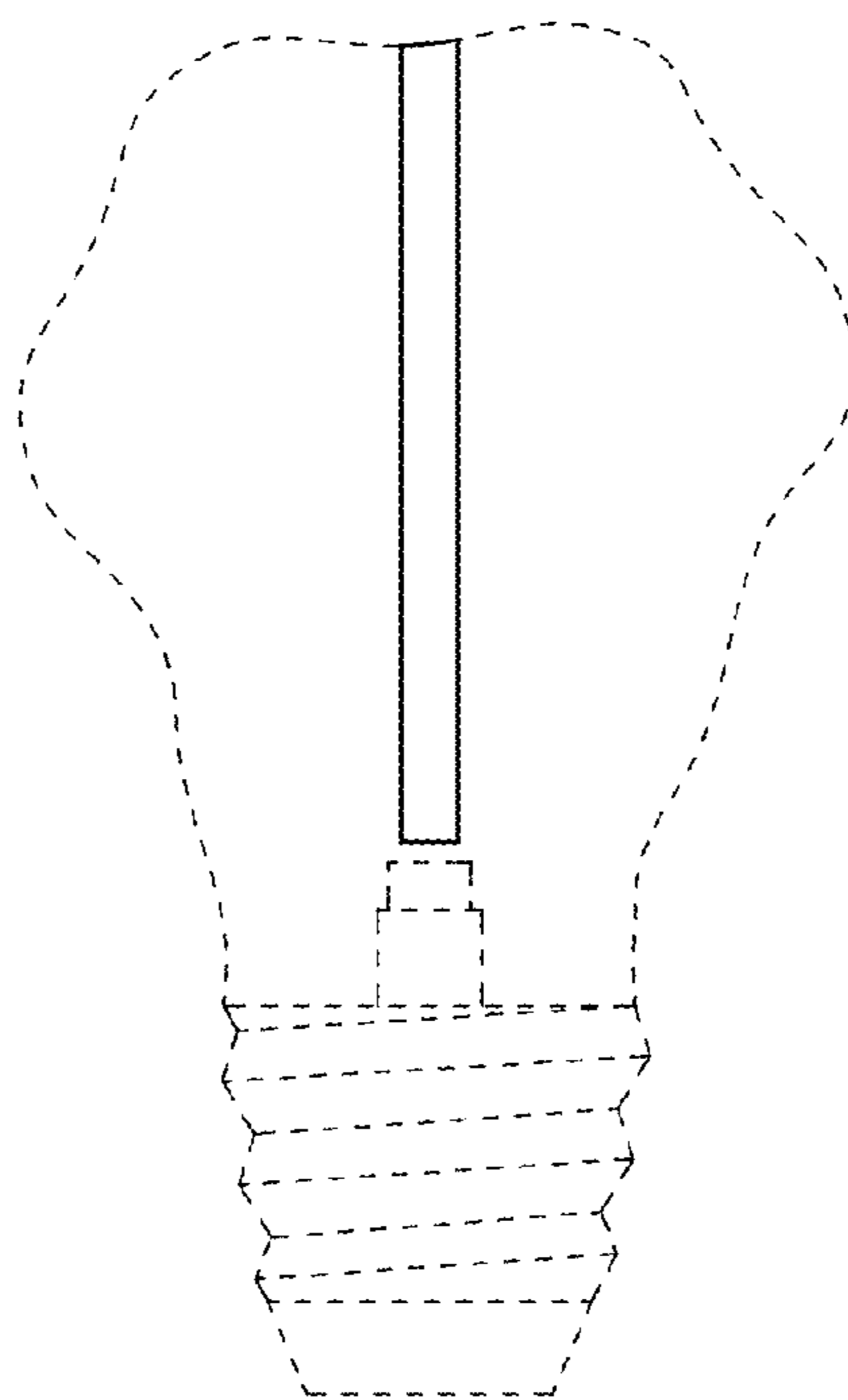


FIG. 51

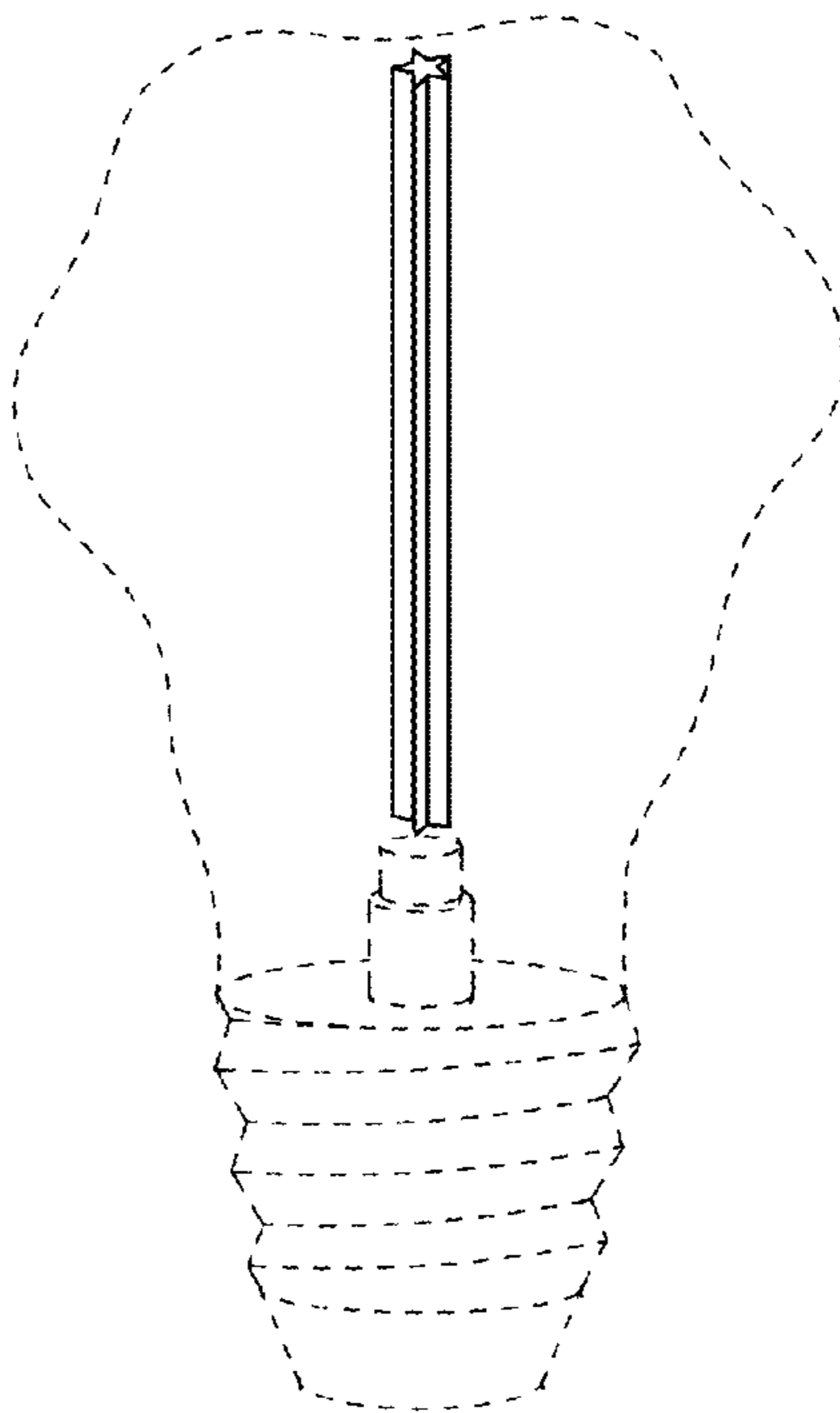


FIG. 52

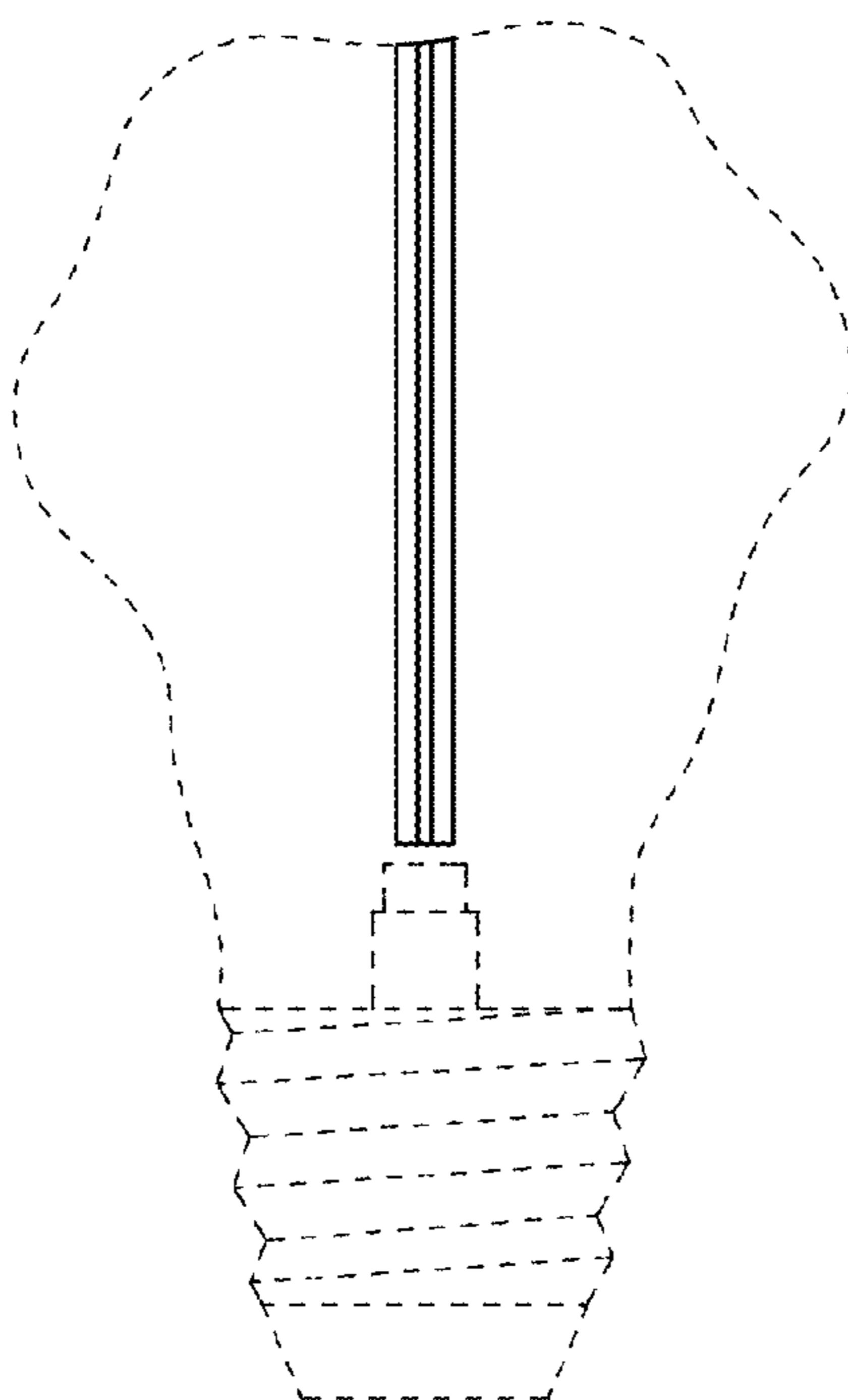


FIG. 53

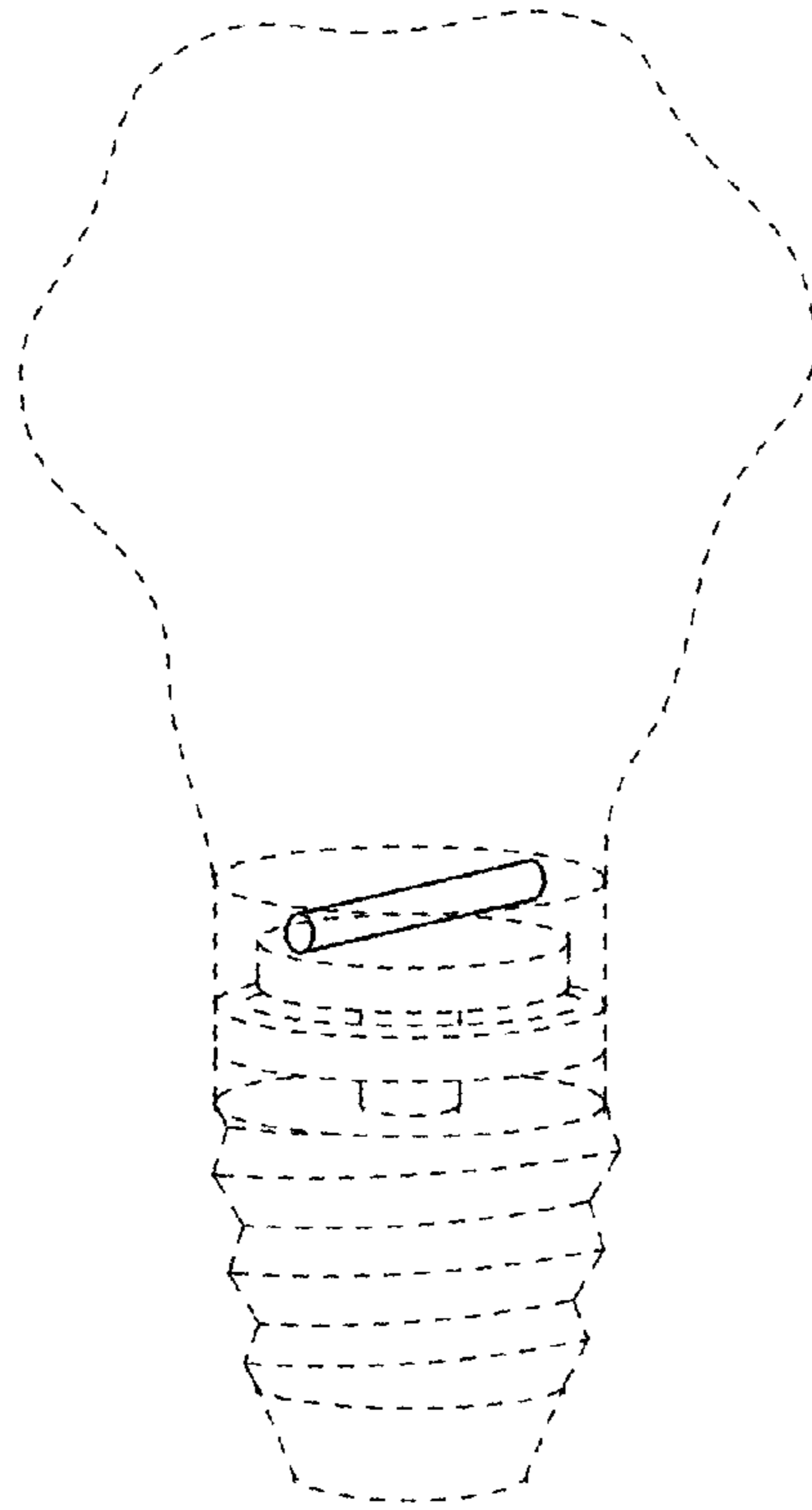


FIG. 54

