



US00D738543S

(12) **United States Design Patent**
Xu et al.

(10) **Patent No.:** **US D738,543 S**
(45) **Date of Patent:** **** Sep. 8, 2015**

- (54) **REFLECTIONAL LAMP**
- (71) Applicant: **Zhejiang Shenghui Lighting Co., Ltd.**,
Jiaxing (CN)
- (72) Inventors: **Jifeng Xu**, Jiaxing (CN); **Lilei Su**,
Jiaxing (CN); **Yinxiao Zhu**, Jiaxing
(CN)
- (73) Assignee: **Zhejiang Shengui Lighting Co., Ltd.**,
Jiaxing (CN)
- (**) Term: **14 Years**
- (21) Appl. No.: **29/484,321**
- (22) Filed: **Mar. 7, 2014**
- (51) **LOC (10) Cl.** **26-04**
- (52) **U.S. Cl.**
USPC **D26/2**
- (58) **Field of Classification Search**
USPC D26/1-4; 313/313, 315, 316, 317, 318,
313/493; 315/52, 53, 56, 57, 58; 362/294,
362/373, 327
CPC B60Q 1/0064
See application file for complete search history.

D666,751	S	*	9/2012	Zheng et al.	D26/2
D667,150	S	*	9/2012	Chun et al.	D26/2
D669,202	S	*	10/2012	Jin et al.	D26/2
D695,927	S	*	12/2013	Anderson et al.	D26/2
D697,239	S	*	1/2014	Rupp et al.	D26/2
D697,240	S	*	1/2014	Rupp et al.	D26/2
D698,050	S	*	1/2014	Jiang et al.	D26/2
D698,051	S	*	1/2014	Jiang et al.	D26/2
D698,053	S	*	1/2014	Rupp et al.	D26/2
D699,868	S	*	2/2014	Zolotykh et al.	D26/2
D699,869	S	*	2/2014	Zolotykh et al.	D26/2
D699,870	S	*	2/2014	Zolotykh et al.	D26/2
D712,074	S	*	8/2014	Rupp et al.	D26/2
D713,565	S	*	9/2014	Yang	D26/2
D715,971	S	*	10/2014	Jian et al.	D26/2
D719,684	S	*	12/2014	Grajcar	D26/2
8,905,600	B2	*	12/2014	Sun et al.	362/373
D722,396	S	*	2/2015	Yang	D26/2
D722,710	S	*	2/2015	Cho	D26/2
D723,193	S	*	2/2015	Taylor et al.	D26/2
D723,194	S	*	2/2015	Taylor et al.	D26/2

* cited by examiner

Primary Examiner — Ian Simmons

Assistant Examiner — Harold Blackwell, II

(74) *Attorney, Agent, or Firm* — Wang Law Firm, Inc.; Li K. Wang; Stephen Hsu

(56) **References Cited**

U.S. PATENT DOCUMENTS

D306,765	S	*	3/1990	Pavelin	D26/2
6,814,470	B2	*	11/2004	Rizkin et al.	362/327
7,319,293	B2	*	1/2008	Maxik	313/636
D610,271	S	*	2/2010	Bi	D26/2
D610,722	S	*	2/2010	Bi	D26/2
D613,434	S	*	4/2010	Weiss	D26/2
D645,587	S	*	9/2011	Kim et al.	D26/2
D645,996	S	*	9/2011	Wey et al.	D26/2
D662,627	S	*	6/2012	Pan	D26/2
D662,628	S	*	6/2012	Pan	D26/2
D663,057	S	*	7/2012	Pan	D26/2
8,226,270	B2	*	7/2012	Yamamoto et al.	362/294
D666,331	S	*	8/2012	Chen	D26/2

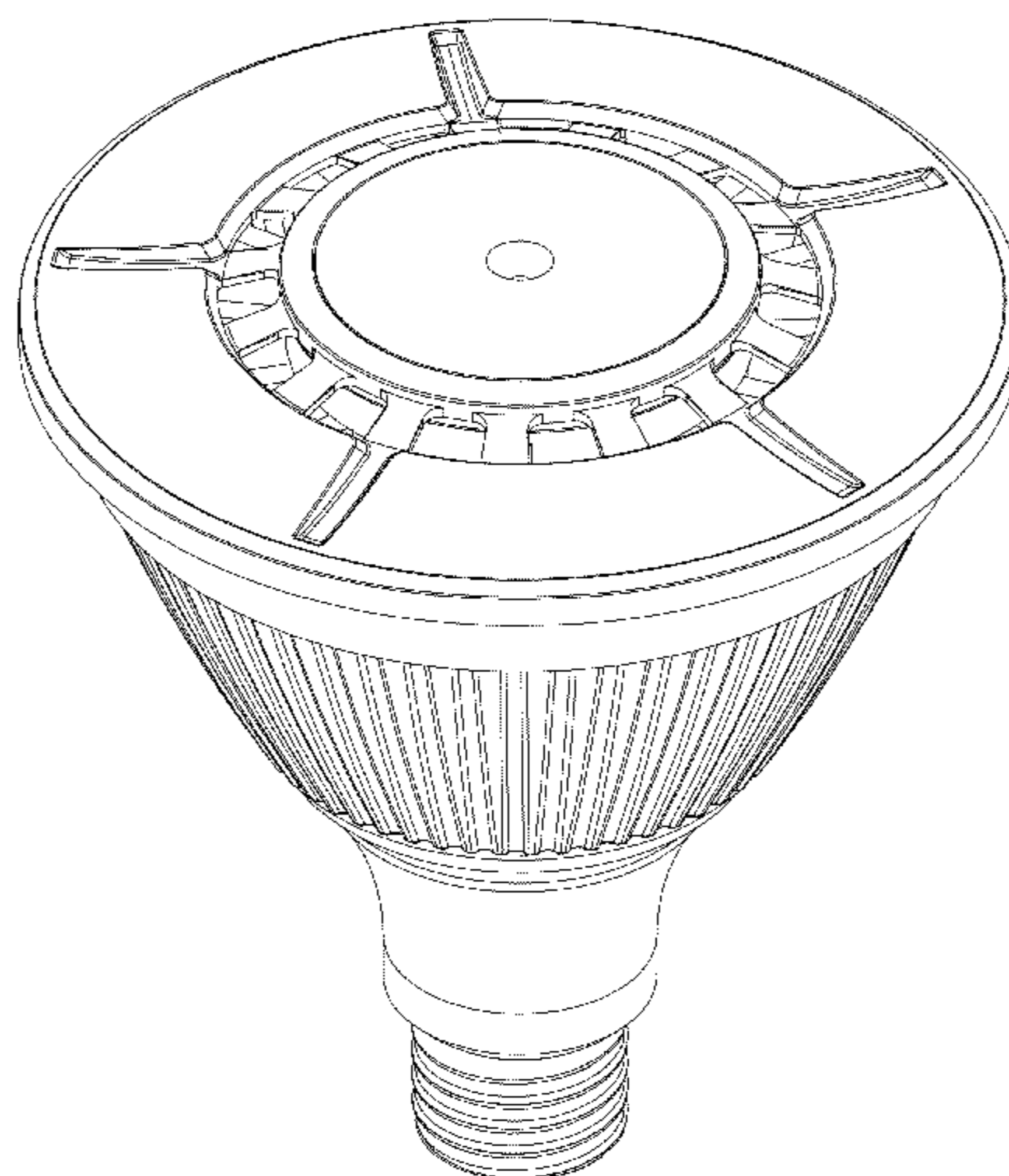
(57) **CLAIM**

The ornamental design for a reflectional lamp, as shown and described.

DESCRIPTION

FIG. 1 is a side view;
FIG. 2 is a bottom view;
FIG. 3 is a top view;
FIG. 4 is a side view on the side opposite FIG. 1;
FIG. 5 is a top perspective view; and,
FIG. 6 is a bottom perspective view.
The broken lines in the drawings illustrate portions of the reflectional lamp which form no part of the claimed design.

1 Claim, 6 Drawing Sheets



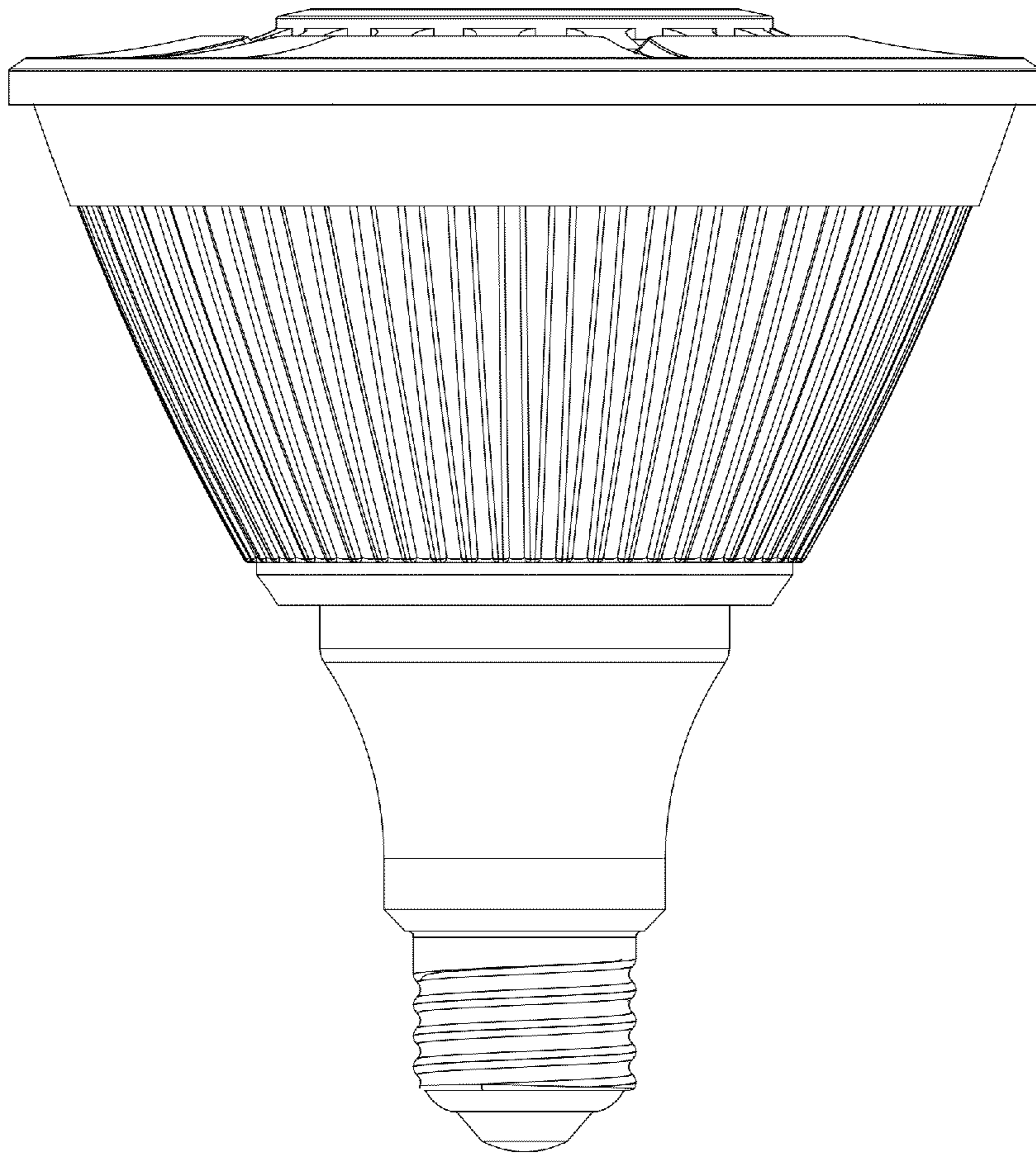


Fig. 1

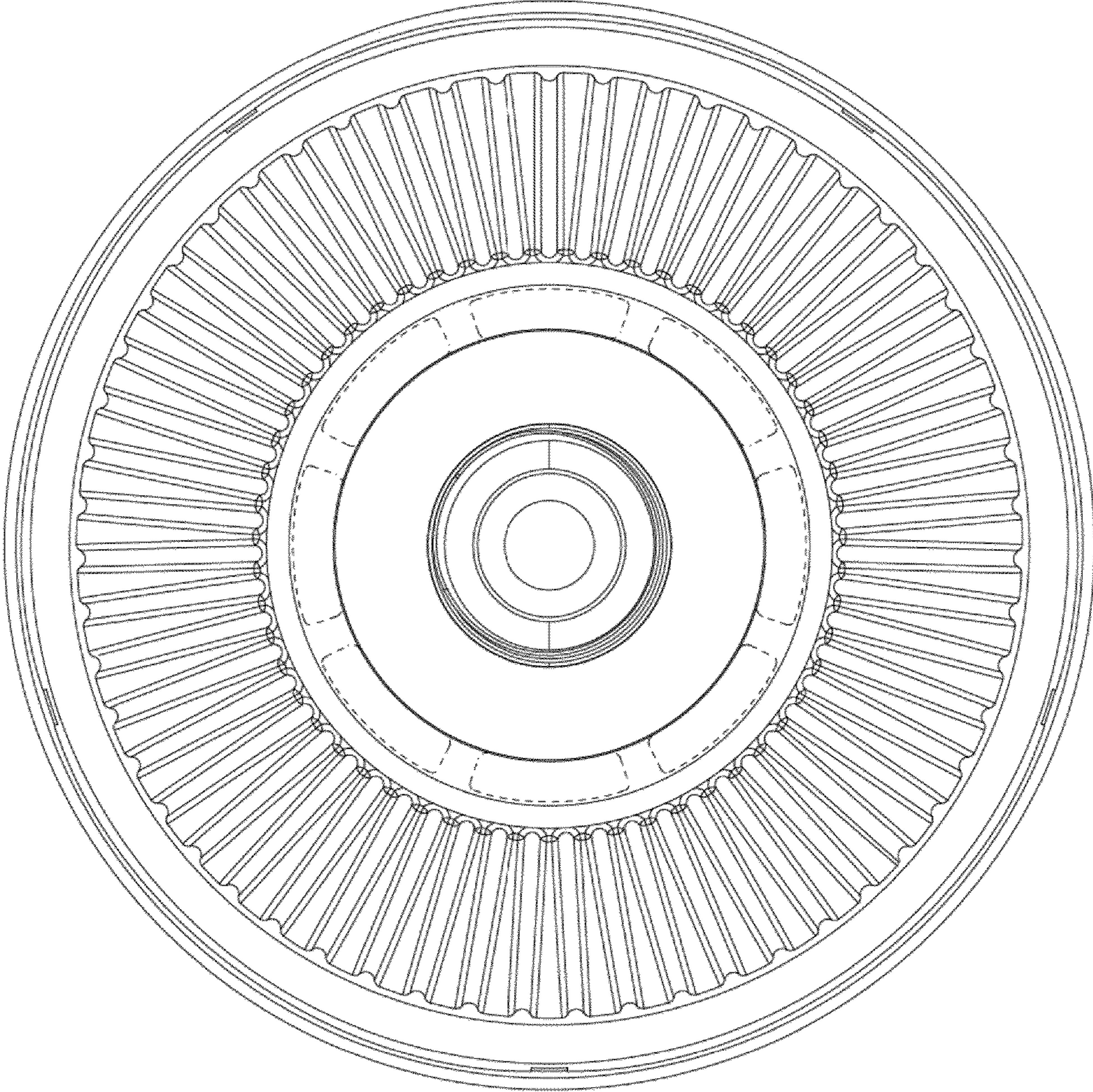


FIG. 2

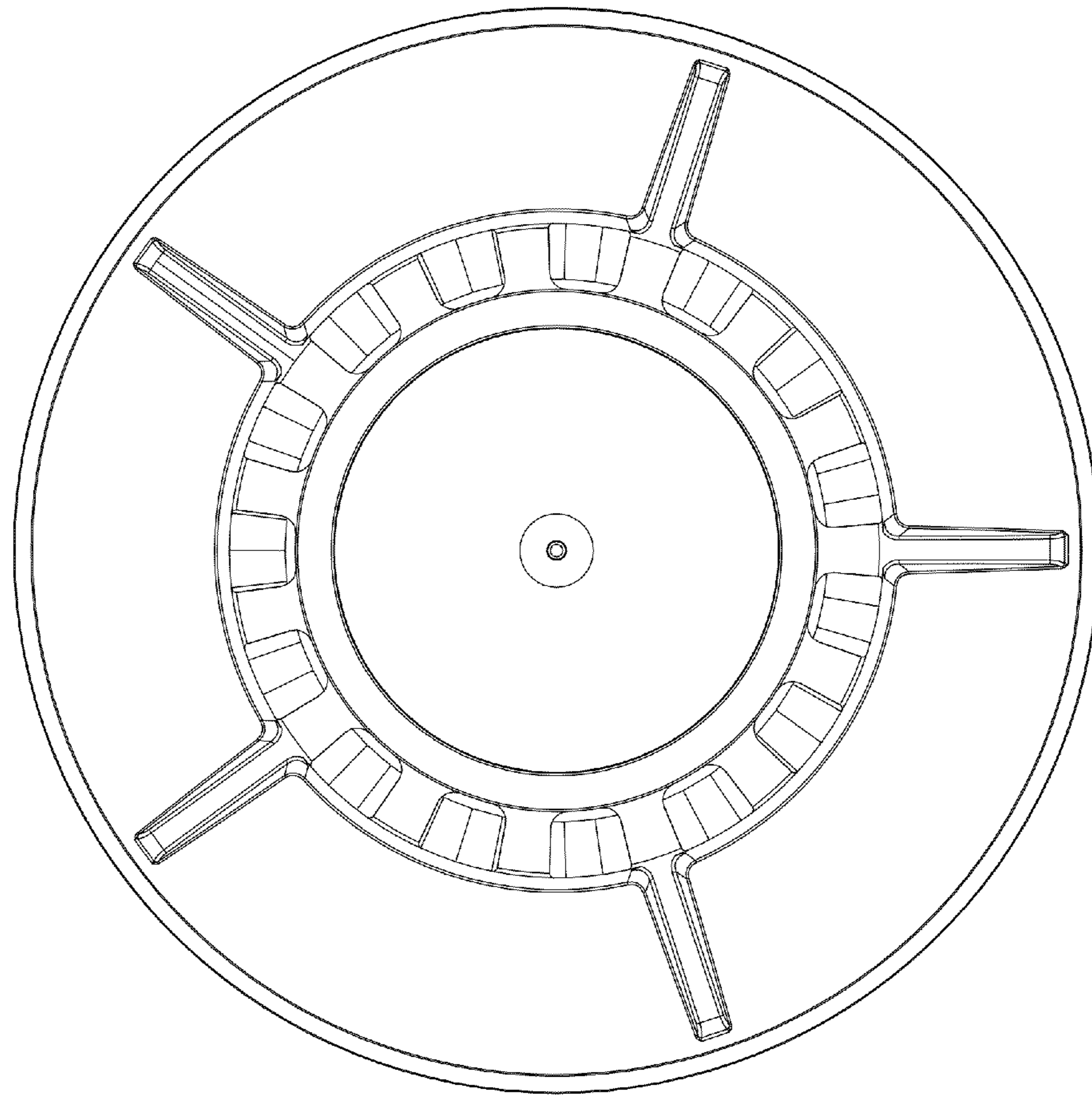


Fig.3

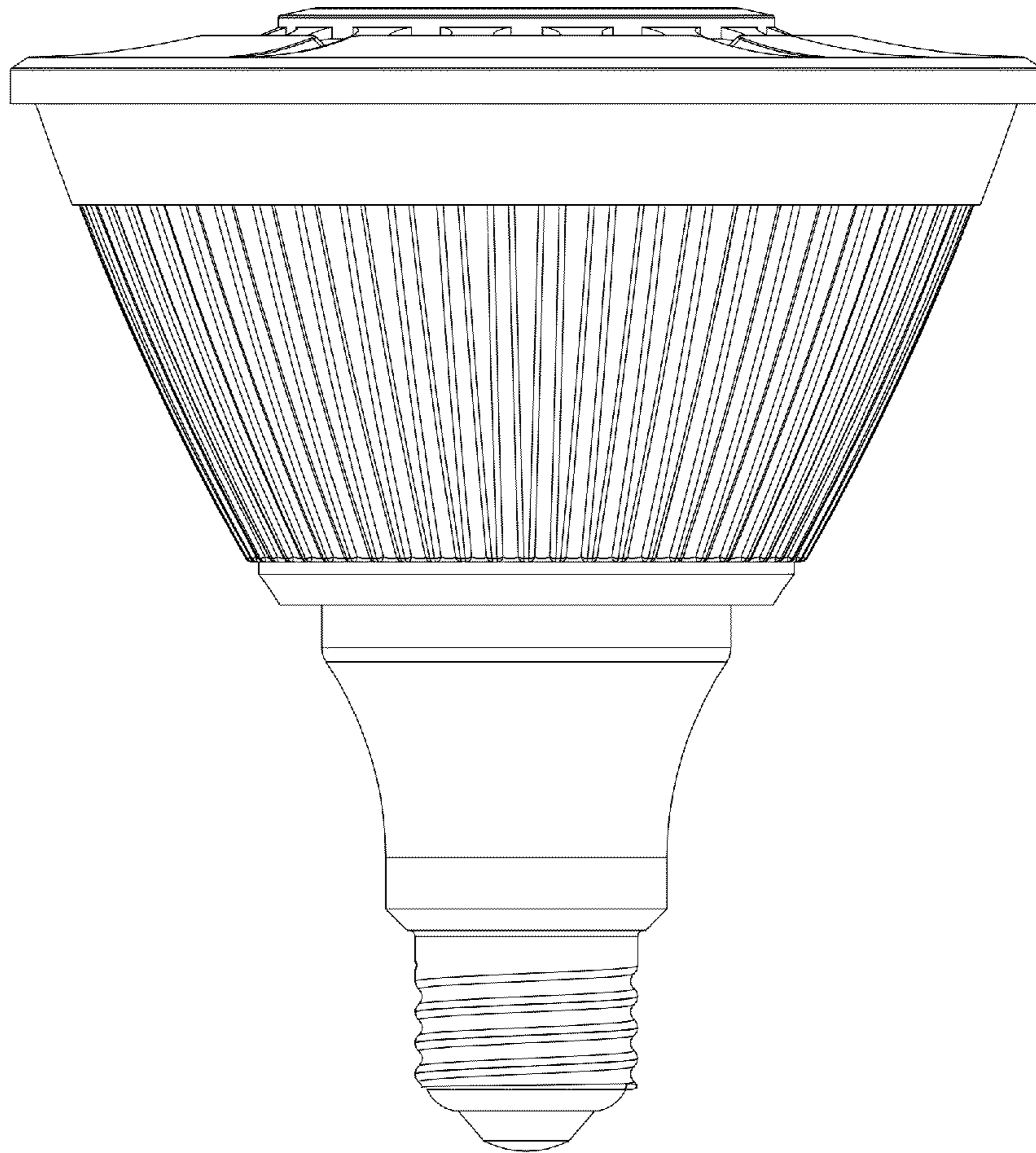


Fig.4

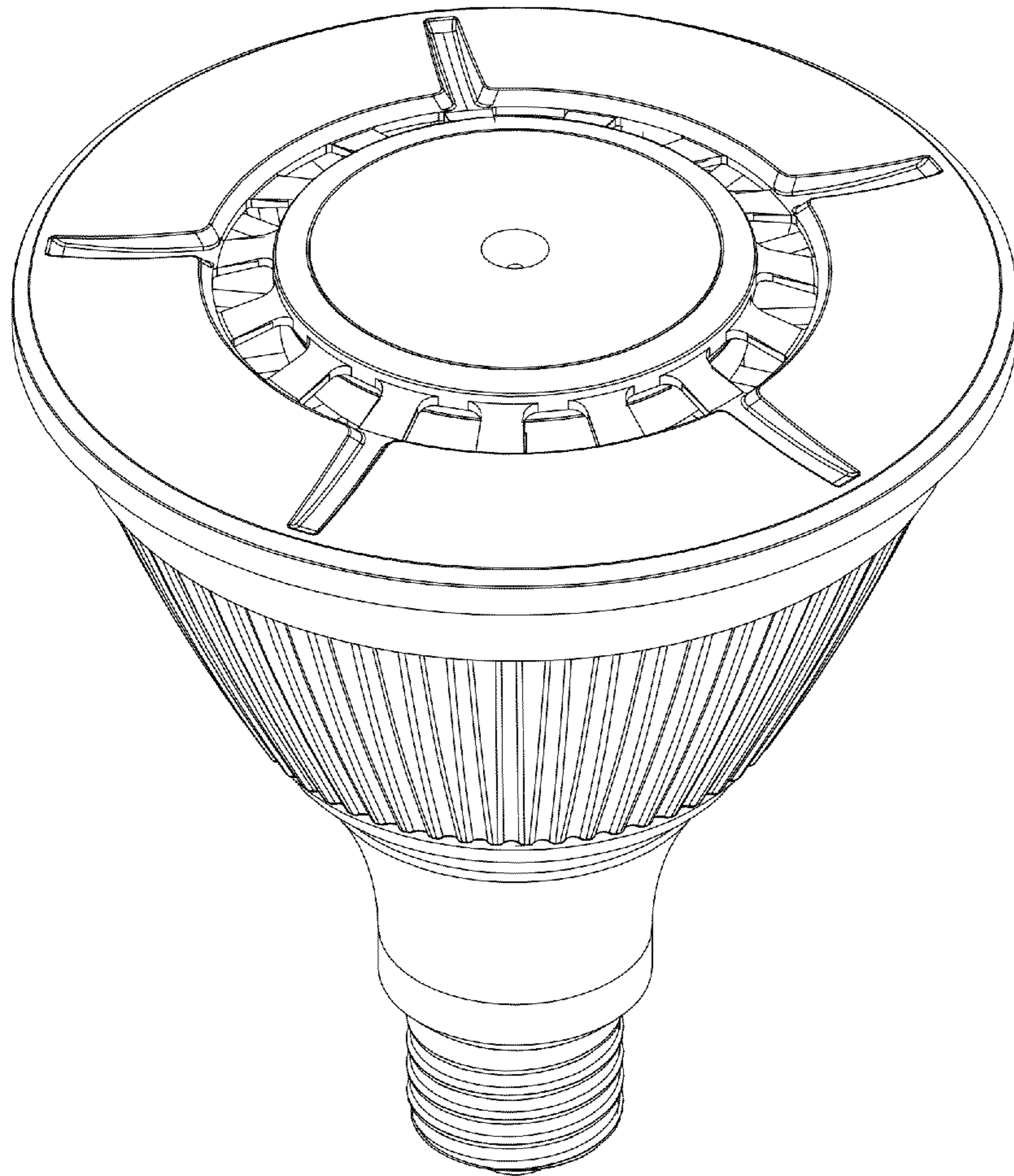


Fig.5

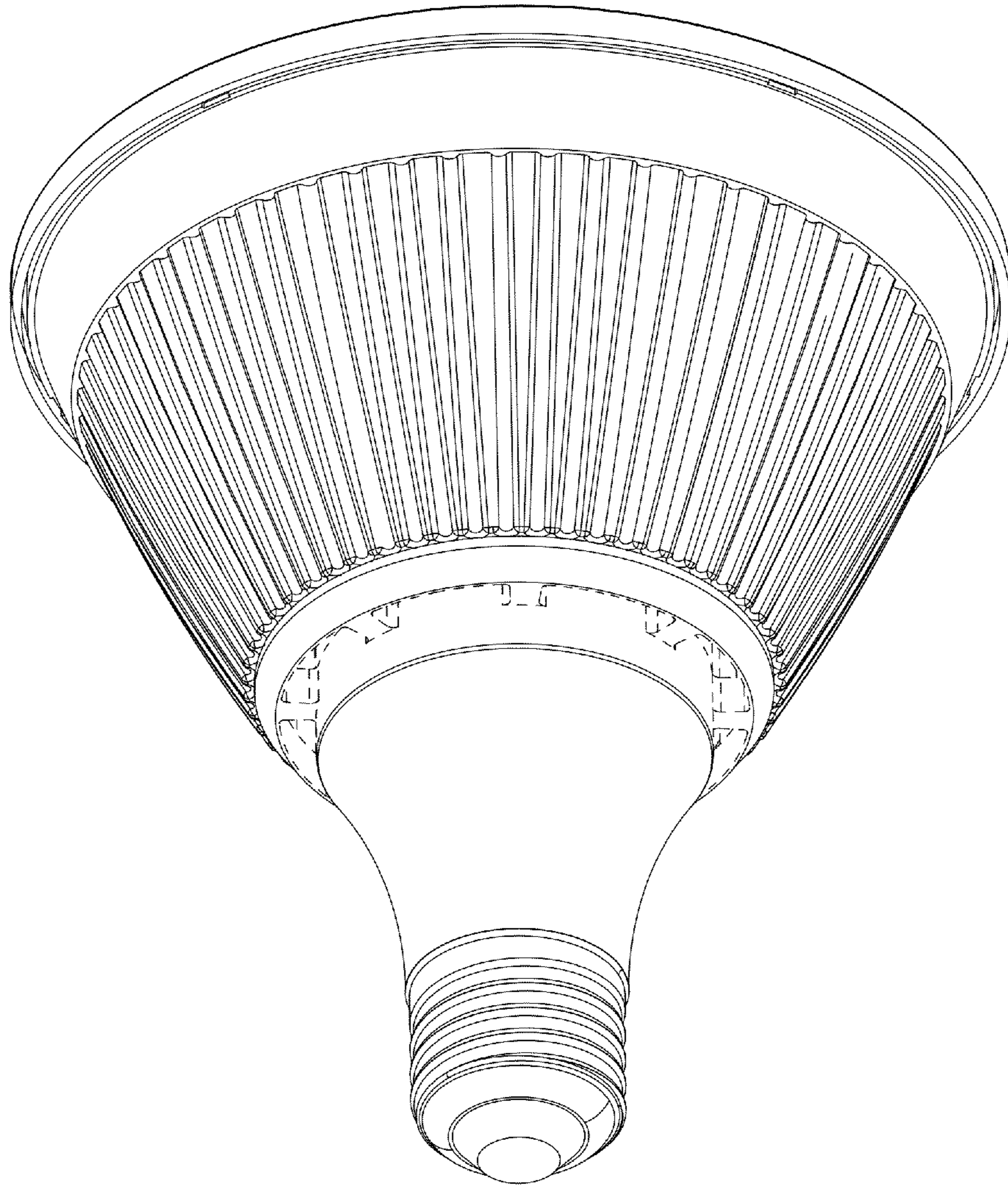


FIG 6