



US00D738542S

(12) **United States Design Patent**
Hussell et al.

(10) **Patent No.:** **US D738,542 S**

(45) **Date of Patent:** **** Sep. 8, 2015**

(54) **LIGHT EMITTING UNIT**

(71) Applicant: **Cree, Inc.**, Durham, NC (US)

(72) Inventors: **Christopher P. Hussell**, Cary, NC (US);
Erin R. F. Welch, Chapel Hill, NC (US)

(73) Assignee: **Cree, Inc.**, Durham, NC (US)

(**) Term: **14 Years**

(21) Appl. No.: **29/452,692**

(22) Filed: **Apr. 19, 2013**

(51) **LOC (10) Cl.** **26-04**

(52) **U.S. Cl.**
USPC **D26/1**

(58) **Field of Classification Search**
USPC D26/37-50, 1-4; 313/313, 315, 316,
313/317, 318, 493; 315/52, 53, 56, 57, 58
See application file for complete search history.

(56) **References Cited**

U.S. PATENT DOCUMENTS

4,946,547	A	8/1990	Palmour	
5,200,022	A	4/1993	Kong	
RE34,861	E	2/1995	Davis	
7,391,046	B2	6/2008	Tsutsumi et al.	
D626,666	S *	11/2010	Yamamoto et al.	D26/2
D627,493	S *	11/2010	Yamamoto et al.	D26/2
D628,312	S *	11/2010	Yamamoto et al.	D26/2
D628,318	S *	11/2010	Yamamoto et al.	D26/2
D628,722	S *	12/2010	Yamamoto et al.	D26/2
8,058,088	B2	11/2011	Cannon	
8,575,639	B2	11/2013	Hussell	
2002/0047189	A1	4/2002	Miyaki et al.	
2006/0147746	A1	7/2006	Wakako et al.	
2006/0186418	A1	8/2006	Edmond	
2007/0029664	A1	2/2007	Mohammed et al.	
2007/0158668	A1	7/2007	Tarsa	
2007/0252523	A1	11/2007	Maeda et al.	
2008/0055901	A1	3/2008	Sanpei et al.	
2008/0173884	A1	7/2008	Chitnis	

2008/0179611	A1	7/2008	Chitnis
2008/0258130	A1	10/2008	Bergmann
2009/0206718	A1	8/2009	Shimonishi et al.
2010/0078669	A1	4/2010	Cho et al.

(Continued)

FOREIGN PATENT DOCUMENTS

JP	06-291236	10/1994
JP	2001-131517	5/2001

(Continued)

OTHER PUBLICATIONS

“DuPont Ti-Pure titanium dioxide, Titanium Dioxide for Coatings,”
Jan. 2012, pp. 1-28, DuPont, USA.

(Continued)

Primary Examiner — Marcus Jackson

(74) *Attorney, Agent, or Firm* — Jenkins, Wilson, Taylor &
Hunt, P.A.

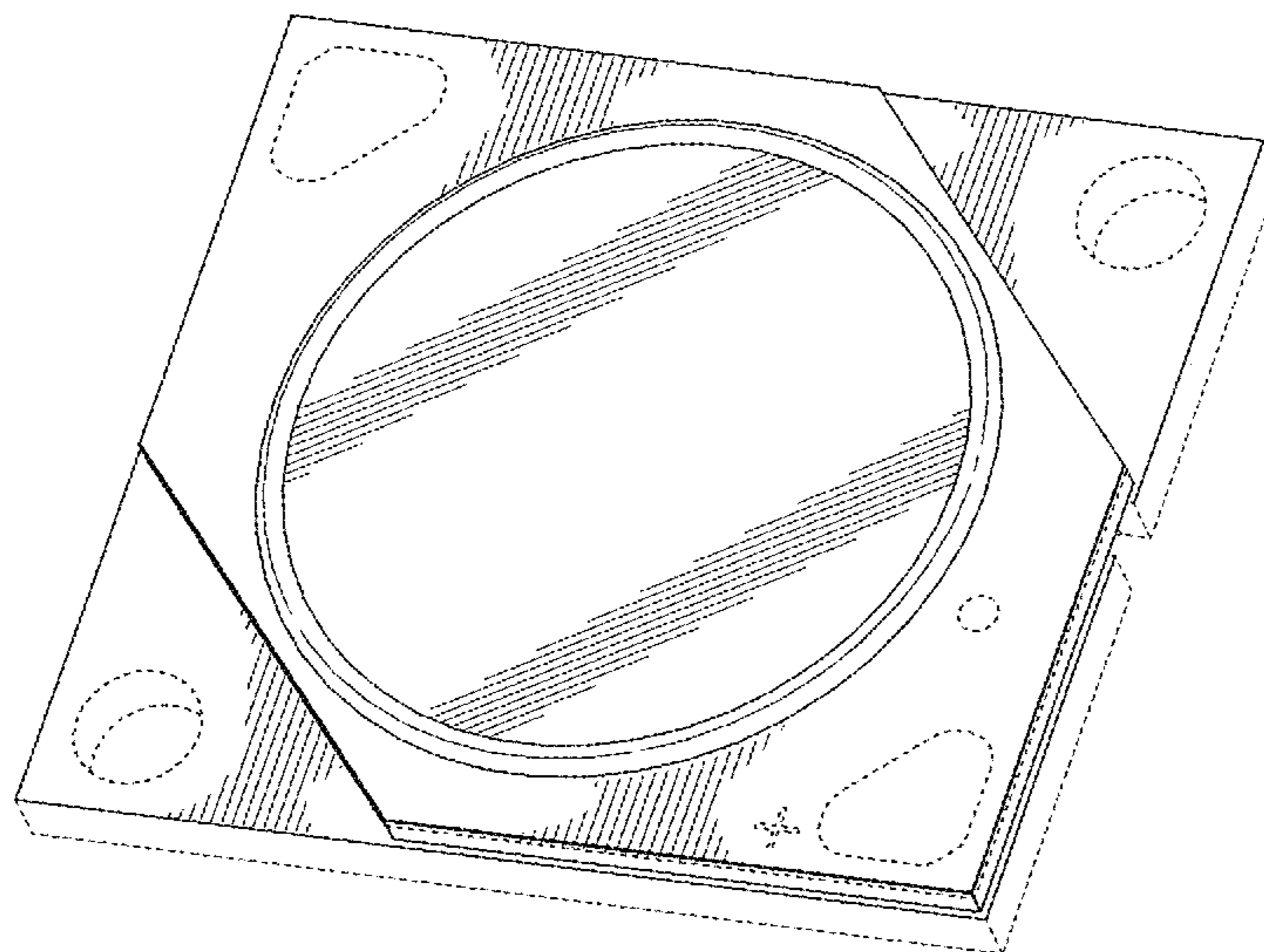
(57) **CLAIM**

The ornamental design for a light emitting unit, as shown and
described.

DESCRIPTION

FIG. 1 is a top perspective view of a light emitting unit
showing our design according;
FIG. 2 is a top plan view thereof;
FIG. 3 is a bottom plan view thereof, opposite the view of
FIG. 2;
FIG. 4 is a first side view thereof, the opposing side being a
mirror image of that shown; and,
FIG. 5 is a second side view thereof, the opposing side being
a mirror image of that shown.
The broken line showing of the bottom portion is included for
the purpose of illustrating only and forms no part of the
claimed design.

1 Claim, 5 Drawing Sheets



(56)

References Cited

U.S. PATENT DOCUMENTS

2010/0155763	A1	6/2010	Donofrio
2010/0193822	A1	8/2010	Inobe et al.
2011/0111537	A1	5/2011	Cheng et al.
2011/0193109	A1	8/2011	Loh
2012/0032226	A1	2/2012	Su et al.
2012/0299022	A1	11/2012	Hussell
2012/0313135	A1	12/2012	Kashitani et al.
2013/0003375	A1	1/2013	Hussell
2013/0200406	A1	8/2013	Hussell
2013/0200420	A1	8/2013	Hussell
2013/0214674	A1	8/2013	Inoguchi
2013/0256710	A1	10/2013	Andrews et al.

FOREIGN PATENT DOCUMENTS

JP	2010-199167	A	9/2010
JP	2012-089551	A	5/2012
KR	10-0505838		10/2005
KR	20-2008-0002564	U	7/2008
KR	20-2011-0008161	U	8/2011
KR	10-2011-0104336		9/2011
WO	WO 2012-109225	A1	8/2012
WO	WO 2013/148573		10/2013
WO	WO 2014/093813	A1	6/2014

OTHER PUBLICATIONS

“Technical Guide, Reflectance Materials and Coatings,” Jan. 2012, pp. 1-26, Labsphere, USA.

“Thick-Film Ceramic Substrates Design Guide,” Mar. 2012, pp. 1-16, CoorsTek, Colorado, USA.

Non-Final Office Action for U.S. Appl. No. 13/435,912 dated Jan. 11, 2013.

Notice of Allowance for U.S. Appl. No. 13/435,912 dated Jun. 19, 2013.

International Search Report and Written Opinion for Application No. PCT/US2013/033704 dated Jun. 26, 2013.

Restriction Requirement for U.S. Appl. No. 13/436,247 dated Aug. 1, 2013.

Non-Final Office Action for U.S. Appl. No. 13/436,247 dated Nov. 7, 2013.

International Search Report and Written Opinion for Application No. PCT/US2013/074998 dated Apr. 3, 2014.

Restriction Requirement for U.S. Appl. No. 13/836,940 dated Jun. 17, 2014.

Notice of Allowance for U.S. Appl. No. 13/436,247 dated Jun. 18, 2014.

Office Action for U.S. Appl. No. 13/836,709 dated Sep. 30, 2014.

Office Action for U.S. Appl. No. 13/836,940 dated Oct. 7, 2014.

* cited by examiner

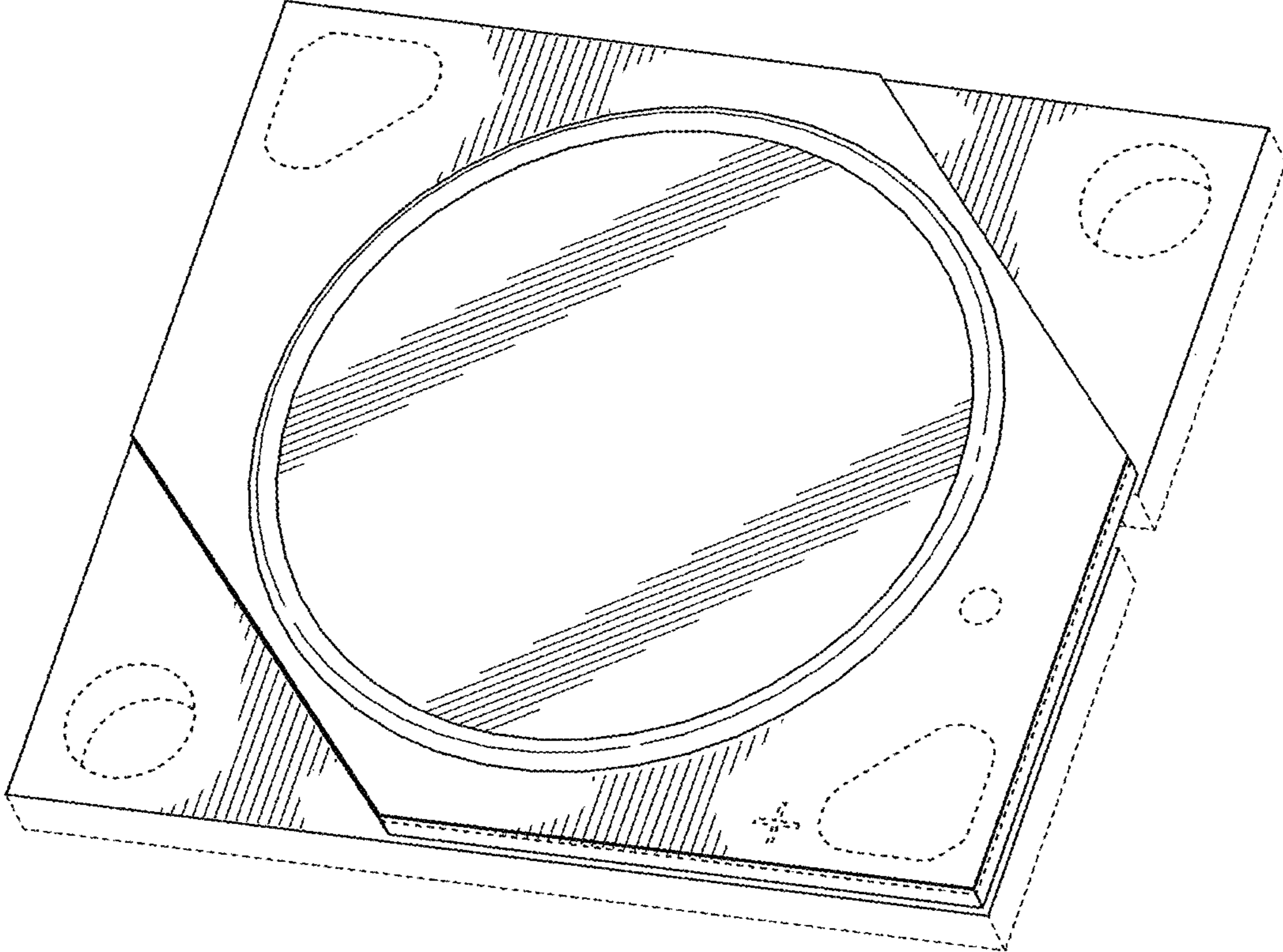


FIG. 1

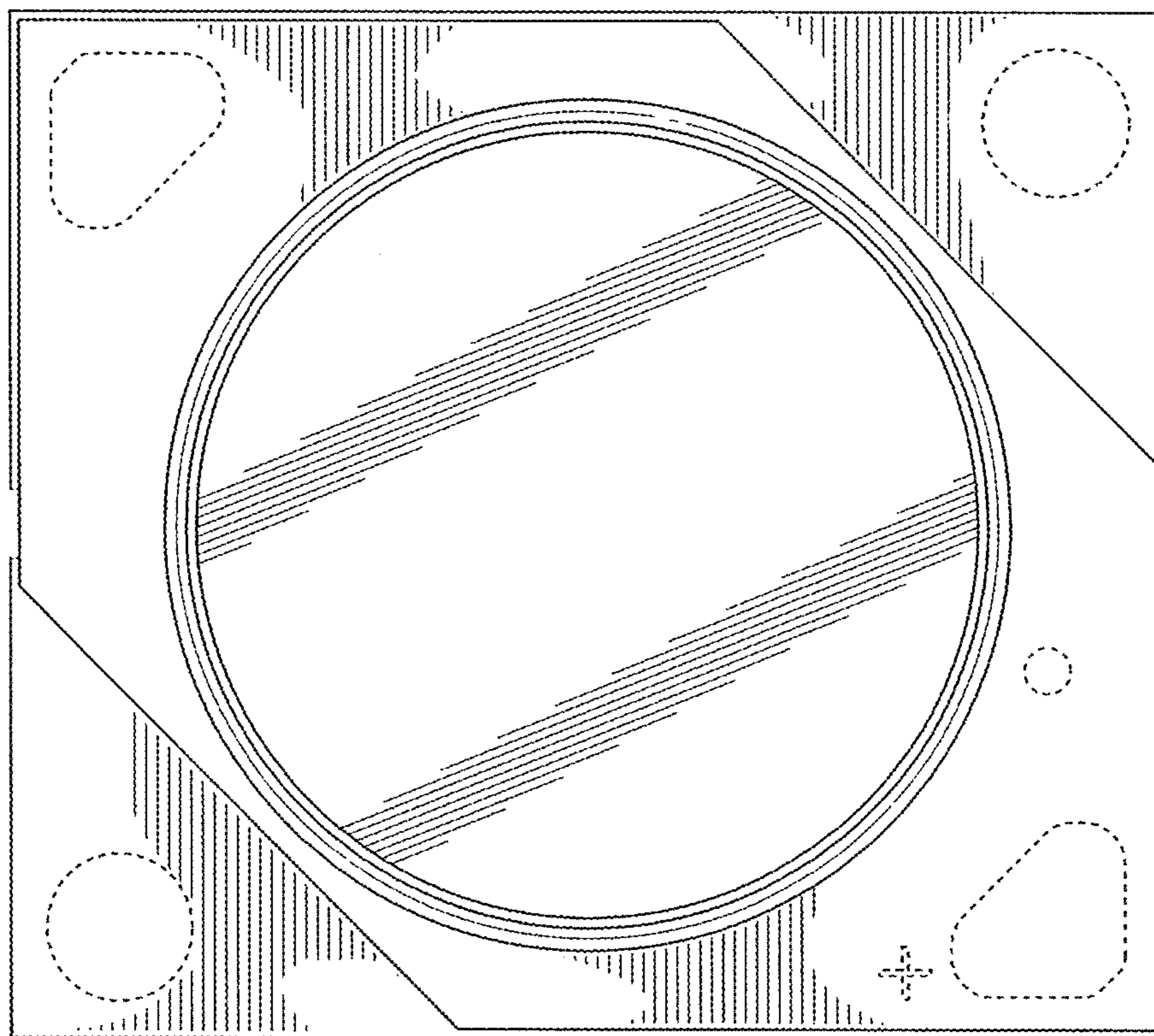


FIG. 2

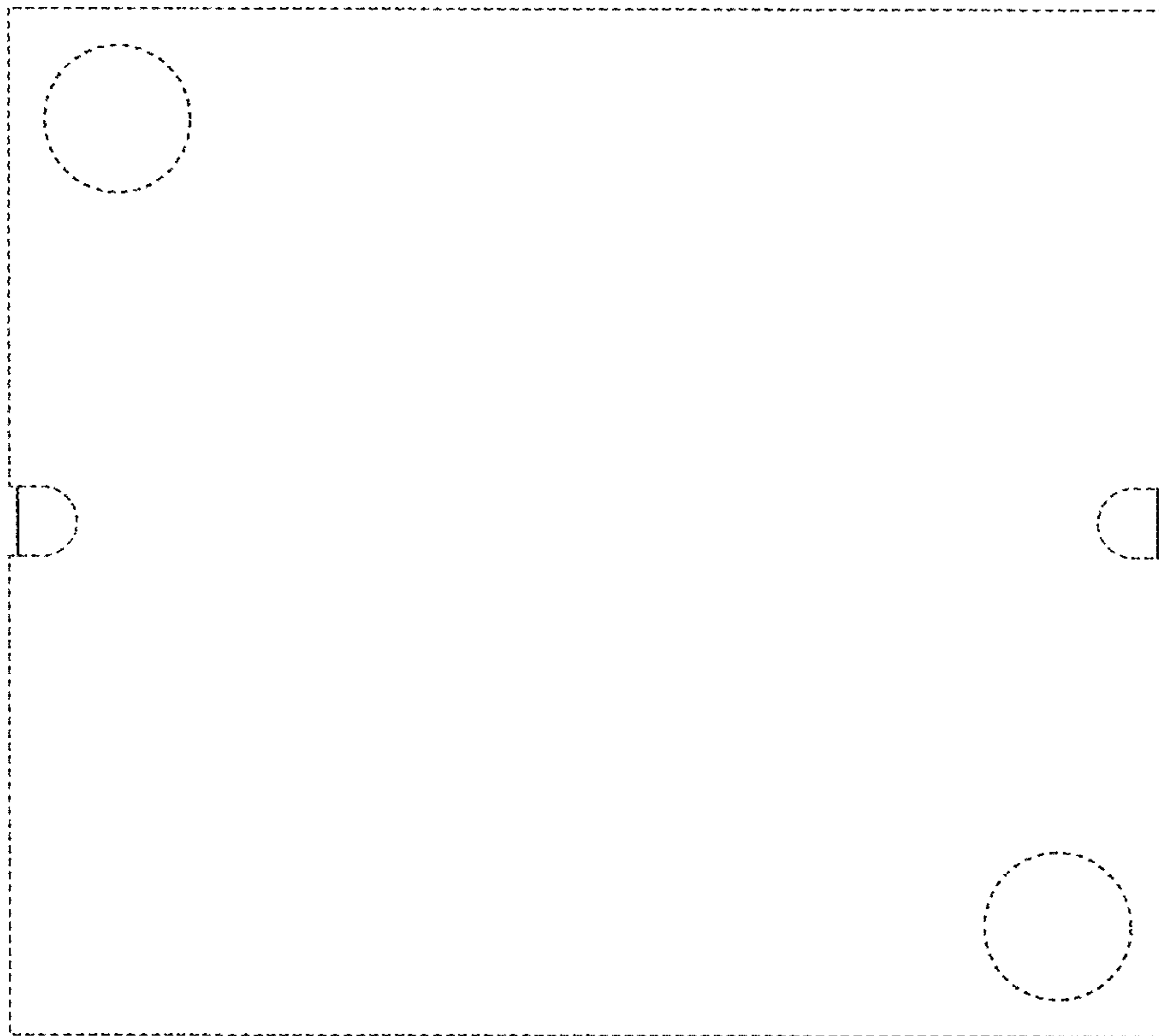


FIG. 3



FIG. 4

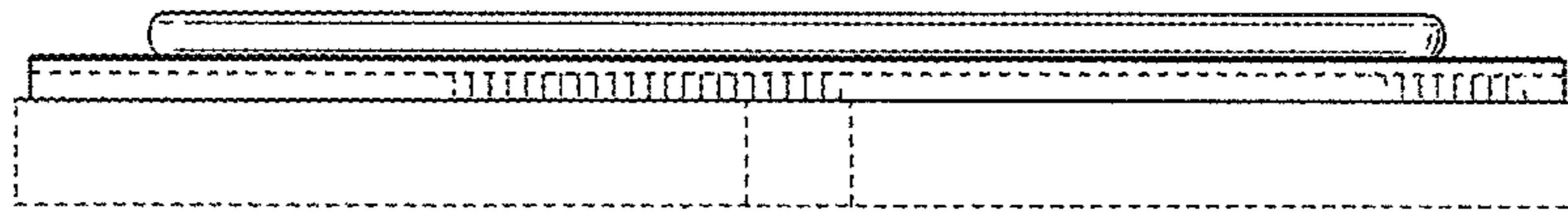


FIG. 5