



US00D738538S

(12) **United States Design Patent**
Lillejord et al.

(10) **Patent No.:** **US D738,538 S**

(45) **Date of Patent:** **** Sep. 8, 2015**

- (54) **METAL VALLEY WALL PANEL**
- (71) Applicants: **John T. Lillejord**, La Crosse, WI (US);
Meredyth J. Lillejord, La Crosse, WI (US); **Joel J. Lillejord**, La Crosse, WI (US); **Judd B. Lillejord**, La Crosse, WI (US)
- (72) Inventors: **John T. Lillejord**, La Crosse, WI (US);
Meredyth J. Lillejord, La Crosse, WI (US); **Joel J. Lillejord**, La Crosse, WI (US); **Judd B. Lillejord**, La Crosse, WI (US)
- (73) Assignee: **Gage 78, Inc.**, La Crosse, WI (US)
- (**) Term: **14 Years**

3,323,269	A *	6/1967	Widdowson	52/573.1
D526,726	S *	8/2006	Bragg et al.	D25/141
D581,511	S *	11/2008	Rosten et al.	D23/393
D608,473	S *	1/2010	Larson	D25/138
D613,429	S *	4/2010	Knepp et al.	D25/141
D641,894	S *	7/2011	Bragg	D25/141
D642,603	S *	8/2011	Michael	D15/140
D655,804	S *	3/2012	Platt	D23/365
D670,561	S *	11/2012	Amend	D9/456
D687,977	S *	8/2013	Griffiths	D25/119
D697,337	S *	1/2014	Young	D6/606
D698,947	S *	2/2014	Griffiths	D25/125
D702,417	S *	4/2014	King et al.	D1/199
D704,862	S *	5/2014	Boccuzzi et al.	D25/141
8,728,193	B2 *	5/2014	Flagstad et al.	55/498
D713,978	S *	9/2014	Zombek	D25/125
D719,281	S *	12/2014	Derreumaux et al.	D25/141
D722,821	S *	2/2015	Liu	D7/409
D725,390	S *	3/2015	Sanocki et al.	D5/60
D727,541	S *	4/2015	Martin et al.	D25/163
2006/0060257	A1 *	3/2006	Iwashita	139/383 R

* cited by examiner

- (21) Appl. No.: **29/476,772**
- (22) Filed: **Dec. 17, 2013**
- (51) **LOC (10) Cl.** **25-01**
- (52) **U.S. Cl.**
USPC **D25/138**
- (58) **Field of Classification Search**
USPC D5/7, 20, 54, 60, 61; D6/332; D23/365;
D25/119, 138, 139, 141, 143, 144, 152,
D25/156, 157, 199
CPC E04C 2/32; E04C 5/04; E04B 2/08;
E04B 2/18; E04B 2/28; E04B 2/30; E04B
1/62; E04B 1/68; E04B 2002/0215; E04B
2002/0297; E06B 9/01
See application file for complete search history.

Primary Examiner — Karen S Acker

Assistant Examiner — Amy Wierenga

(74) *Attorney, Agent, or Firm* — Charles S. Sara, Esq.;
DeWitt Ross & Stevens S.C.

(57) **CLAIM**

The ornamental design for a metal valley wall panel, as shown and described.

DESCRIPTION

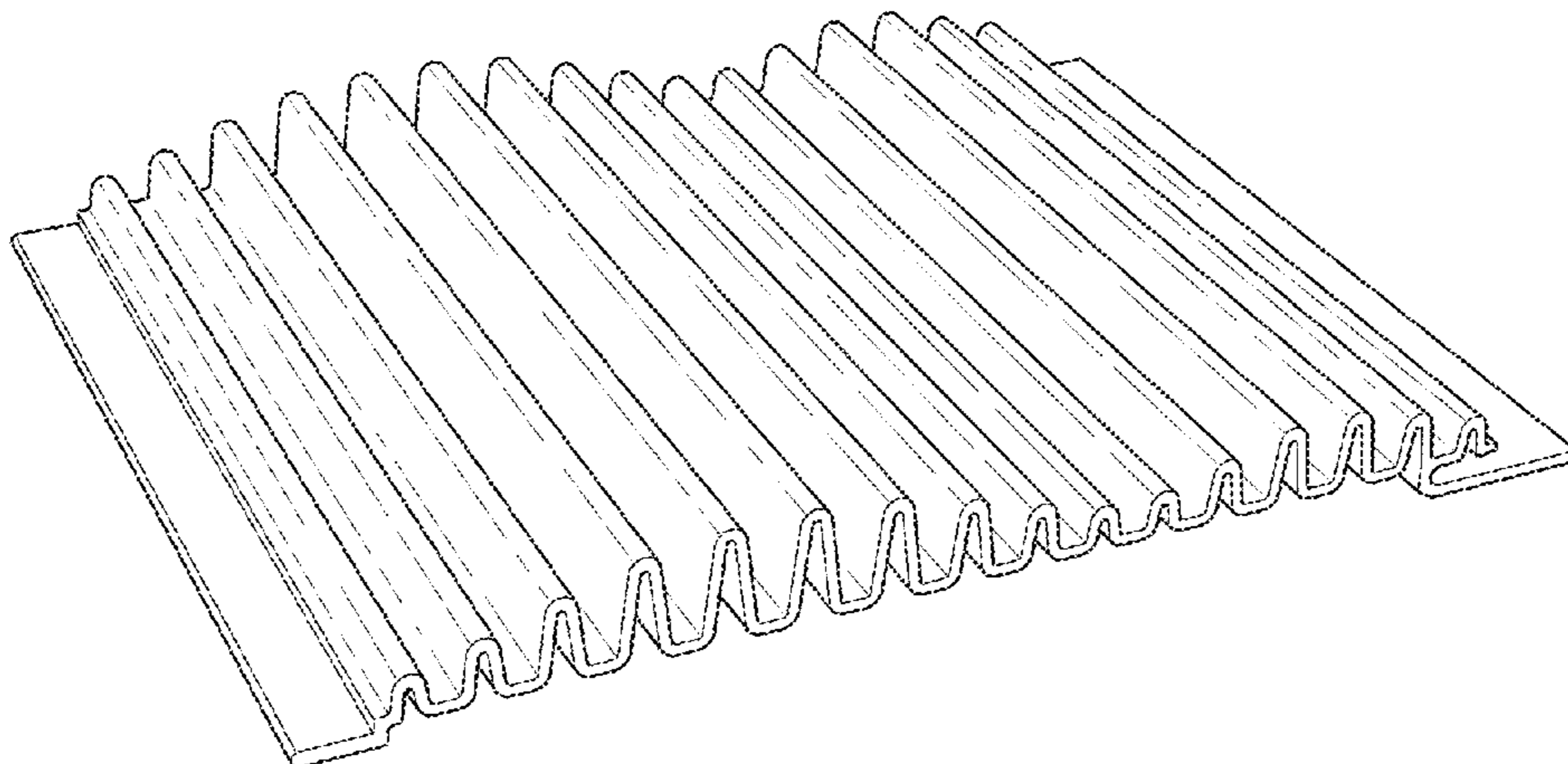
FIG. 1 is a front perspective view of a metal valley wall panel illustrating our new design;
 FIG. 2 is a rear elevation view thereof;
 FIG. 3 is a front elevation view thereof;
 FIG. 4 is a left side elevation view thereof;
 FIG. 5 is a right side elevation view thereof;
 FIG. 6 is a top plan view thereof; and,
 FIG. 7 is a bottom plan view thereof.

1 Claim, 5 Drawing Sheets

(56) **References Cited**

U.S. PATENT DOCUMENTS

3,038,573	A *	6/1962	Nuernberger	52/483.1
3,150,465	A *	9/1964	Johnson	52/537
D205,701	S *	9/1966	Yost	D5/47



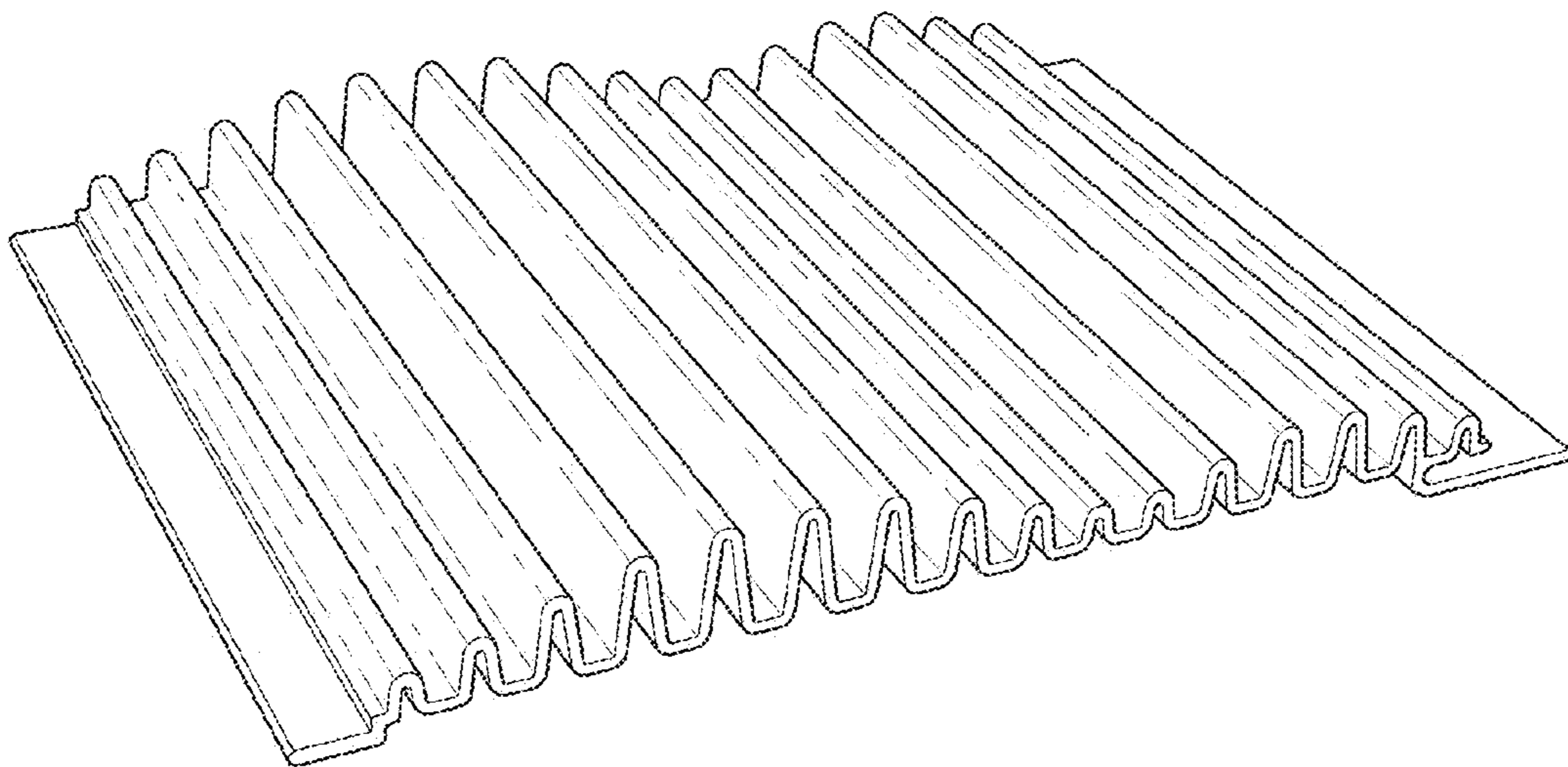


FIG. 1

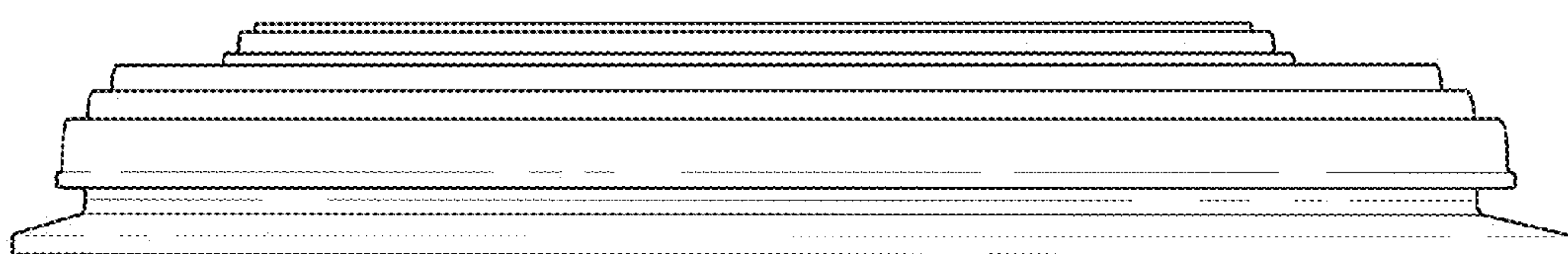


FIG. 2

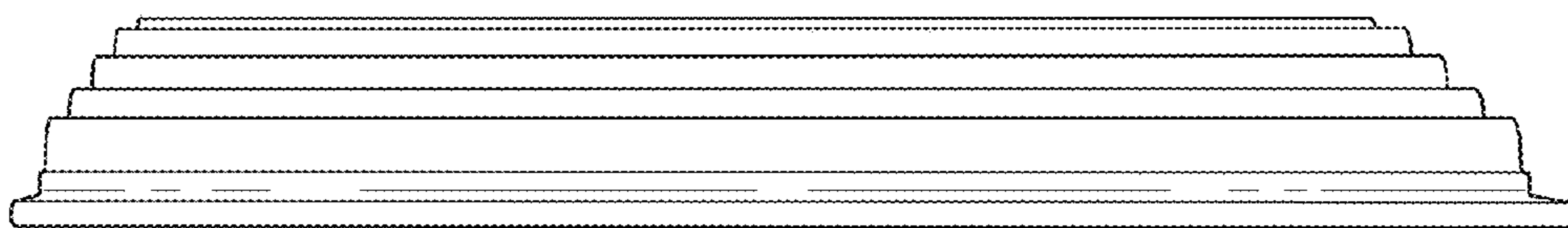


FIG. 3



FIG. 4

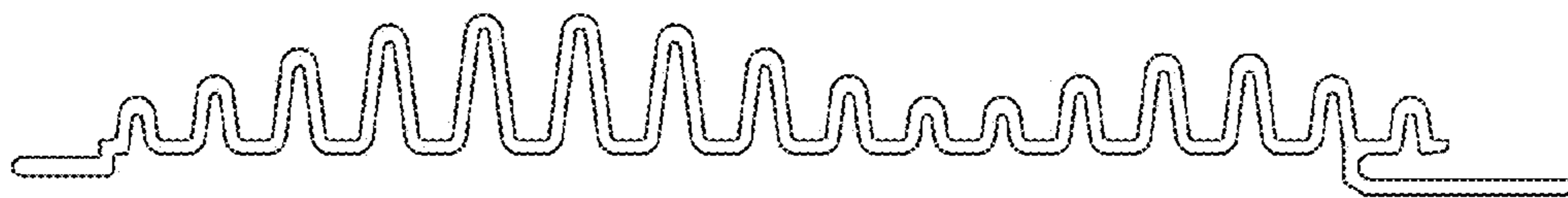


FIG. 5

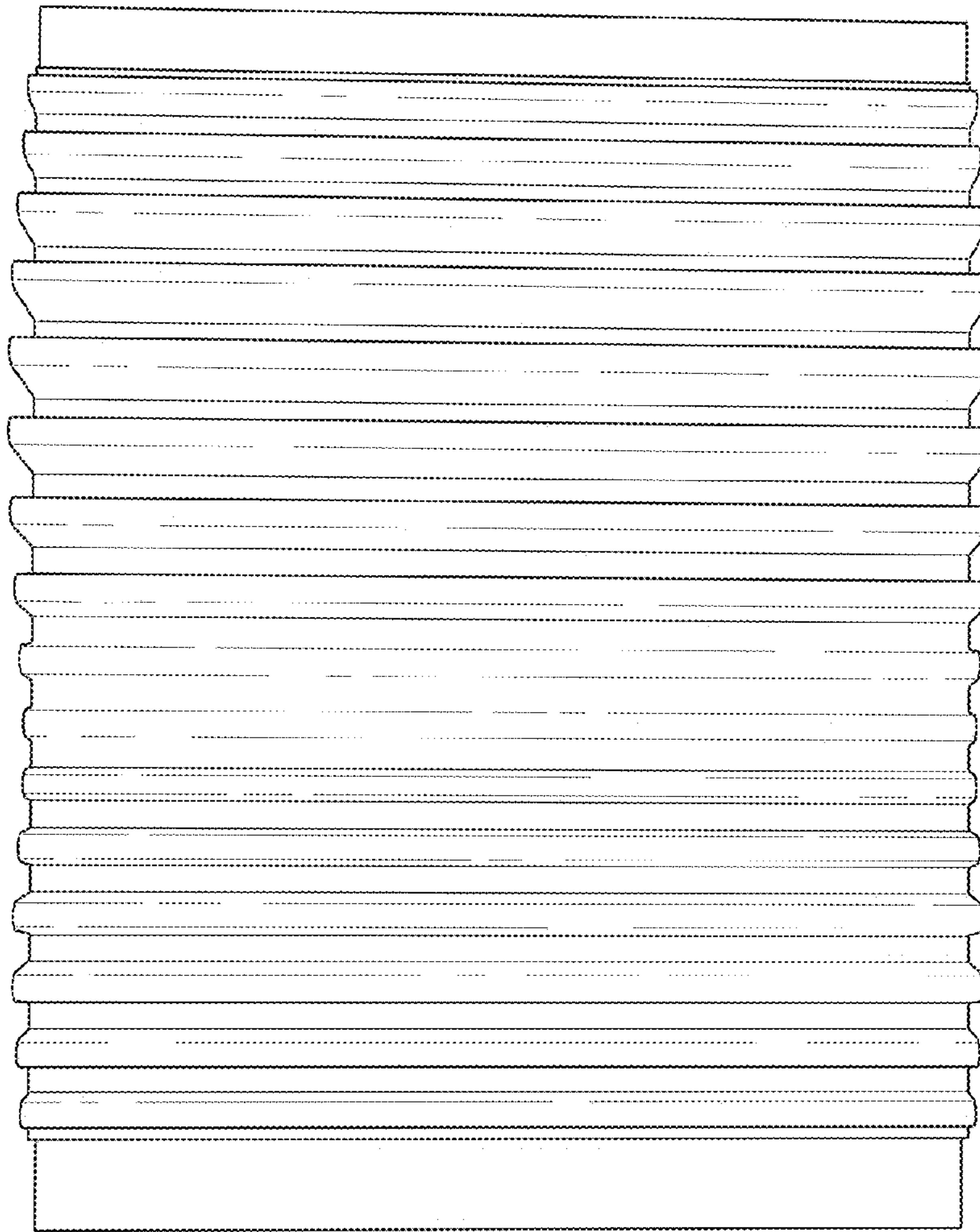


FIG. 6

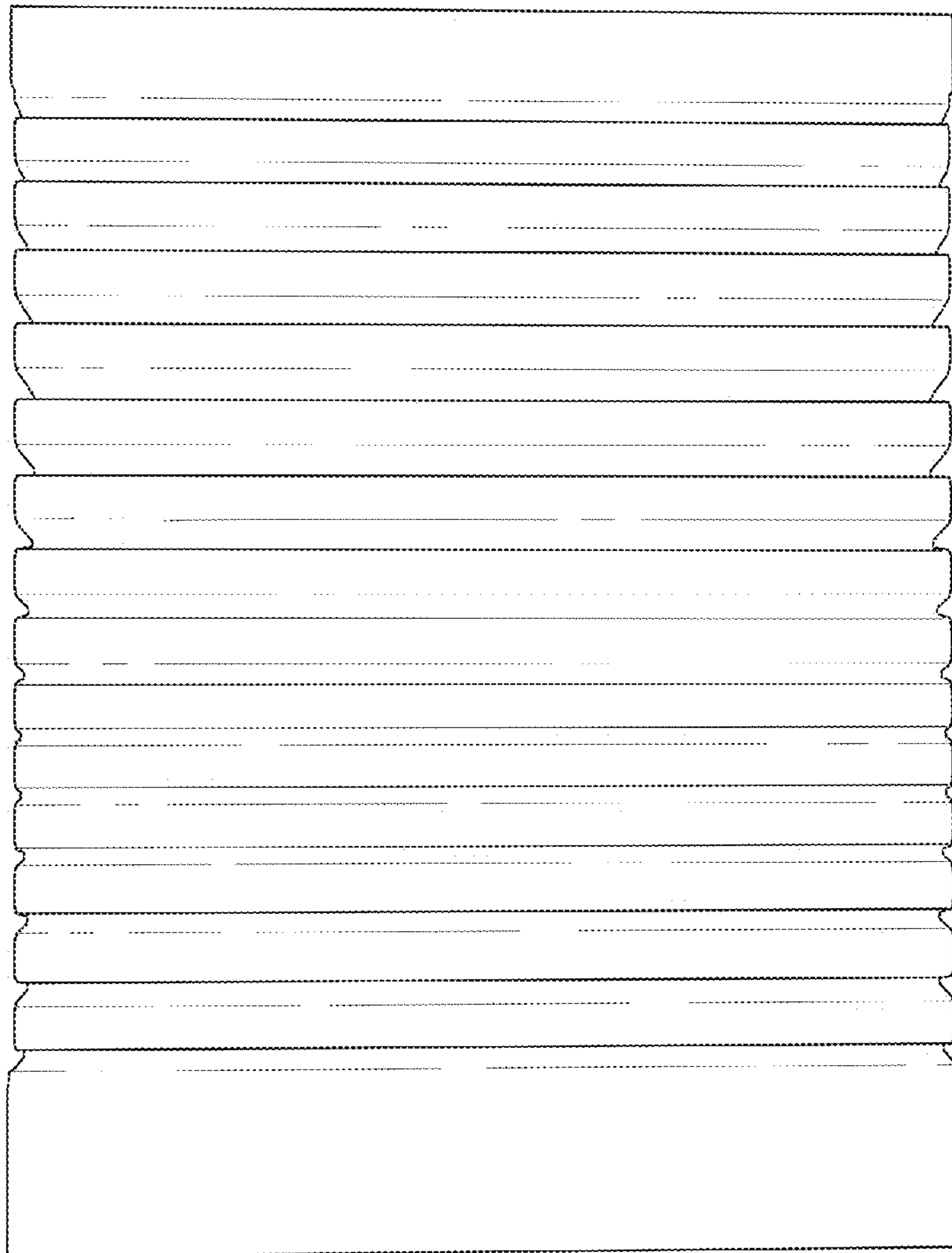


FIG. 7