



US00D738537S

(12) **United States Design Patent**
Lillejord et al.

(10) **Patent No.:** **US D738,537 S**

(45) **Date of Patent:** **** Sep. 8, 2015**

(54) **WALL PANEL**

(71) Applicants: **John T. Lillejord**, La Crosse, WI (US);
Meredyth J. Lillejord, La Crosse, WI
(US); **Joel J. Lillejord**, La Crosse, WI
(US); **Judd B. Lillejord**, La Crosse, WI
(US)

(72) Inventors: **John T. Lillejord**, La Crosse, WI (US);
Meredyth J. Lillejord, La Crosse, WI
(US); **Joel J. Lillejord**, La Crosse, WI
(US); **Judd B. Lillejord**, La Crosse, WI
(US)

(73) Assignee: **Gage 78, Inc.**, La Crosse, WI (US)

(**) Term: **14 Years**

(21) Appl. No.: **29/476,769**

(22) Filed: **Dec. 17, 2013**

(51) **LOC (10) Cl.** **25-01**

(52) **U.S. Cl.**
USPC **D25/138**

(58) **Field of Classification Search**
USPC D5/7, 20, 54, 60, 61; D6/332; D23/365;
D25/119, 138, 139, 141, 143, 144, 152,
D25/156, 157, 199
CPC E04C 2/32; E04C 5/04; E04B 2/08;
E04B 2/18; E04B 2/28; E04B 2/30; E04B
1/62; E04B 1/68; E04B 2002/0215; E04B
2002/0297; E06B 9/01

See application file for complete search history.

(56) **References Cited**

U.S. PATENT DOCUMENTS

7,691,760	B2 *	4/2010	Bergsten et al.	442/149
D632,246	S *	2/2011	Park	D13/102
D667,963	S *	9/2012	Griffiths	D25/125
D668,356	S *	10/2012	Griffiths	D25/125
D687,977	S *	8/2013	Griffiths	D25/119
D698,947	S *	2/2014	Griffiths	D25/125
D700,364	S *	2/2014	Griffiths	D25/119
D700,366	S *	2/2014	Griffiths	D25/119
D704,862	S *	5/2014	Bocuzzi et al.	D25/141
8,728,193	B2 *	5/2014	Flagstad et al.	55/498

* cited by examiner

Primary Examiner — Karen S. Acker

Assistant Examiner — Amy Wierenga

(74) *Attorney, Agent, or Firm* — Charles S. Sara, Esq.;
DeWitt Ross & Stevens SC

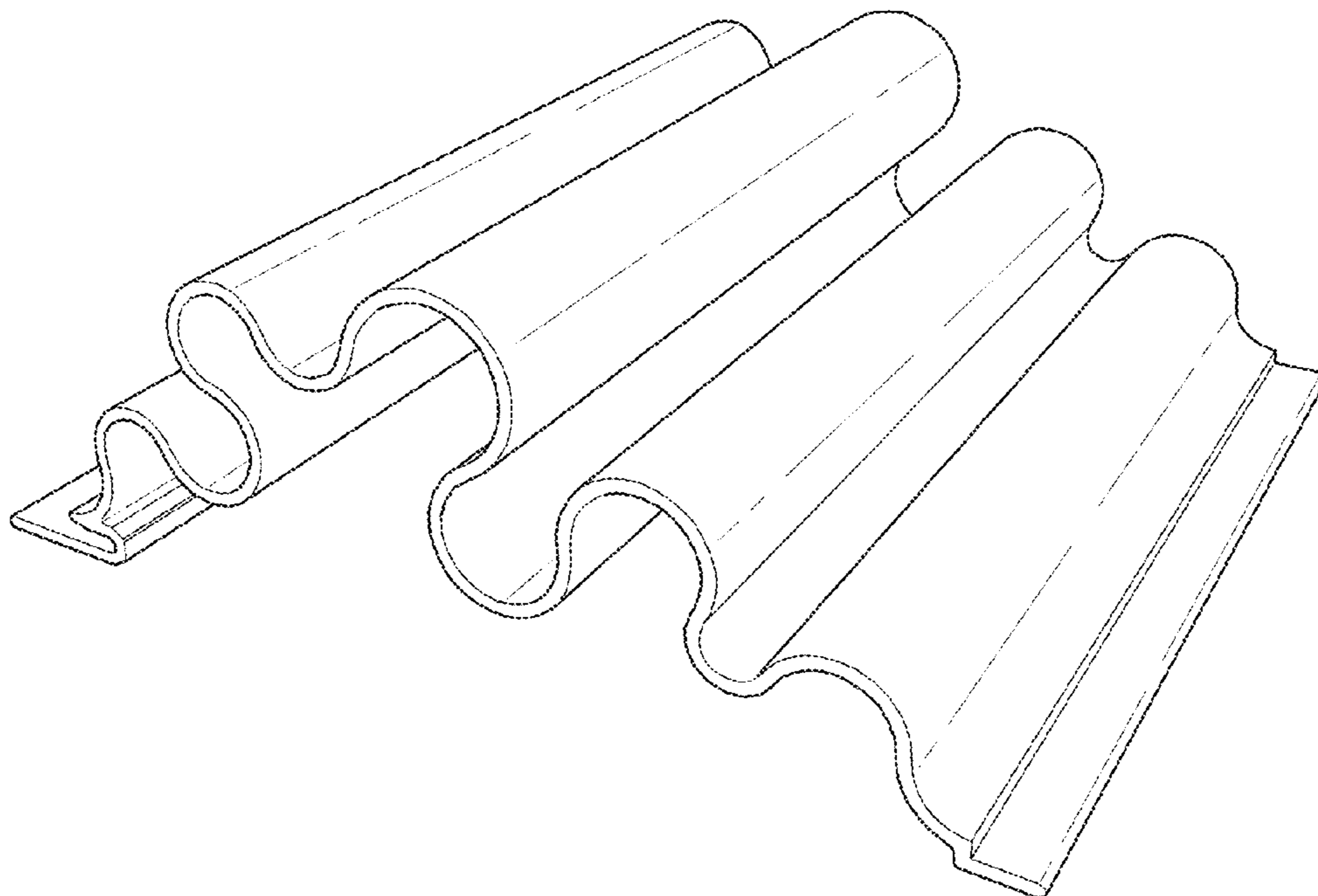
(57) **CLAIM**

The ornamental design for a wall panel, as shown and described.

DESCRIPTION

FIG. 1 is a front perspective view of a wall panel illustrating our new design;
FIG. 2 is a rear elevation view thereof;
FIG. 3 is a front elevation view thereof;
FIG. 4 is a left side elevation view thereof;
FIG. 5 is a right side elevation view thereof;
FIG. 6 is a top plan view thereof; and,
FIG. 7 is a bottom plan view thereof.

1 Claim, 5 Drawing Sheets



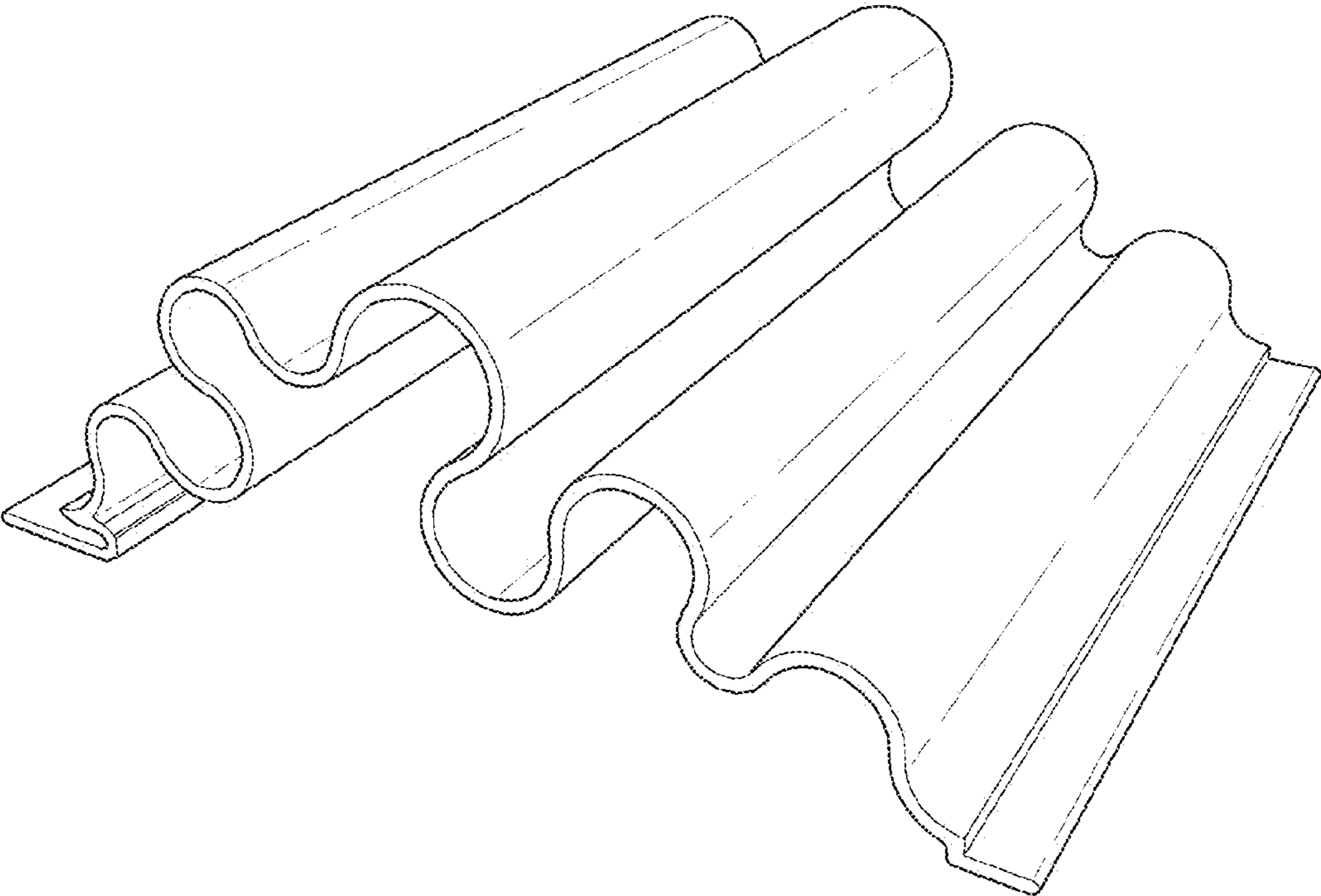


FIG. 1

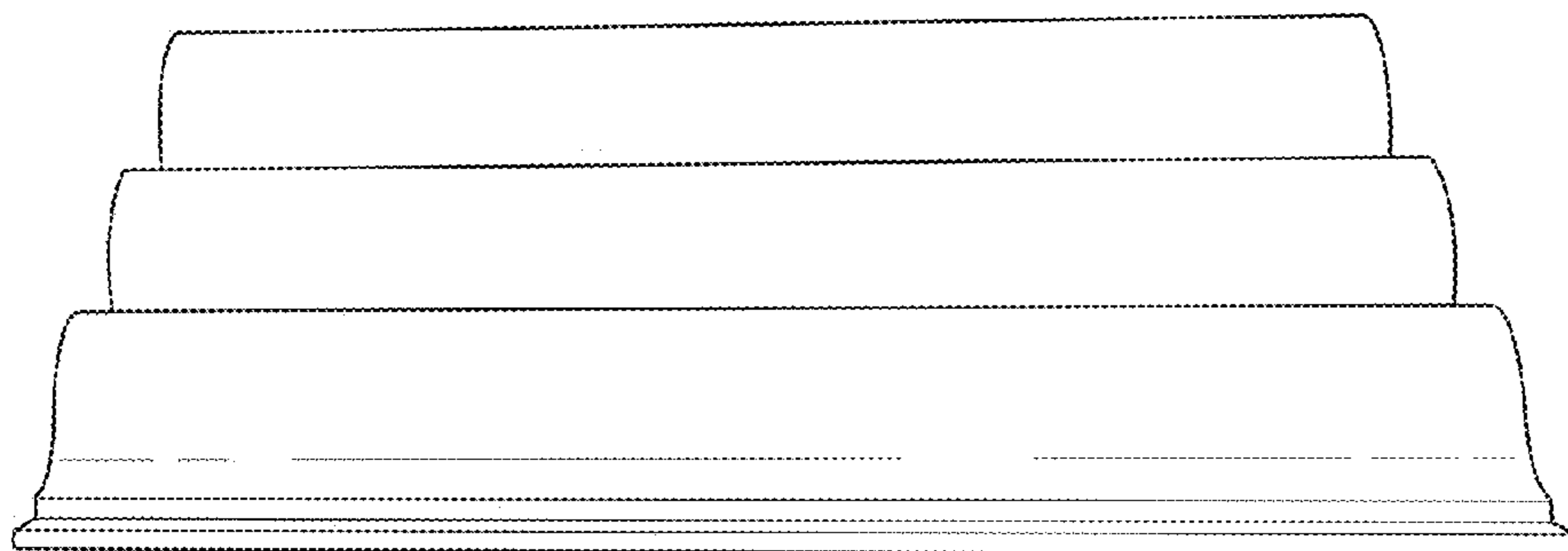


FIG. 2

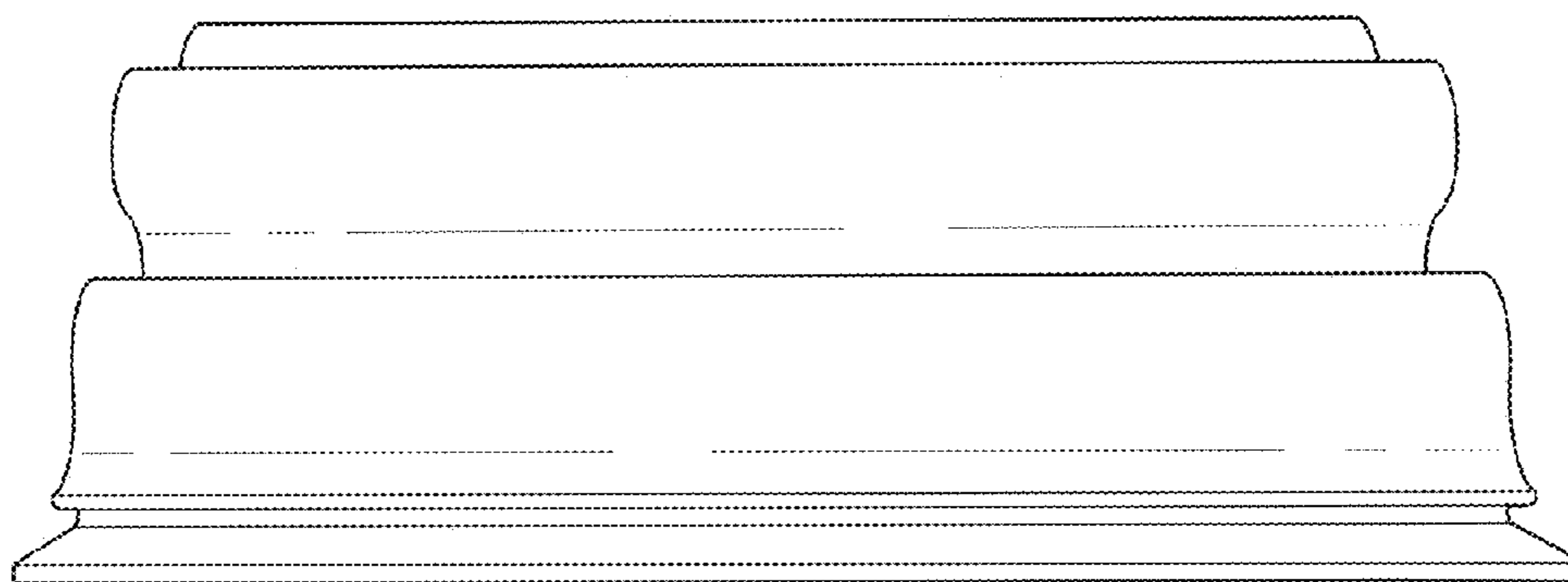


FIG. 3

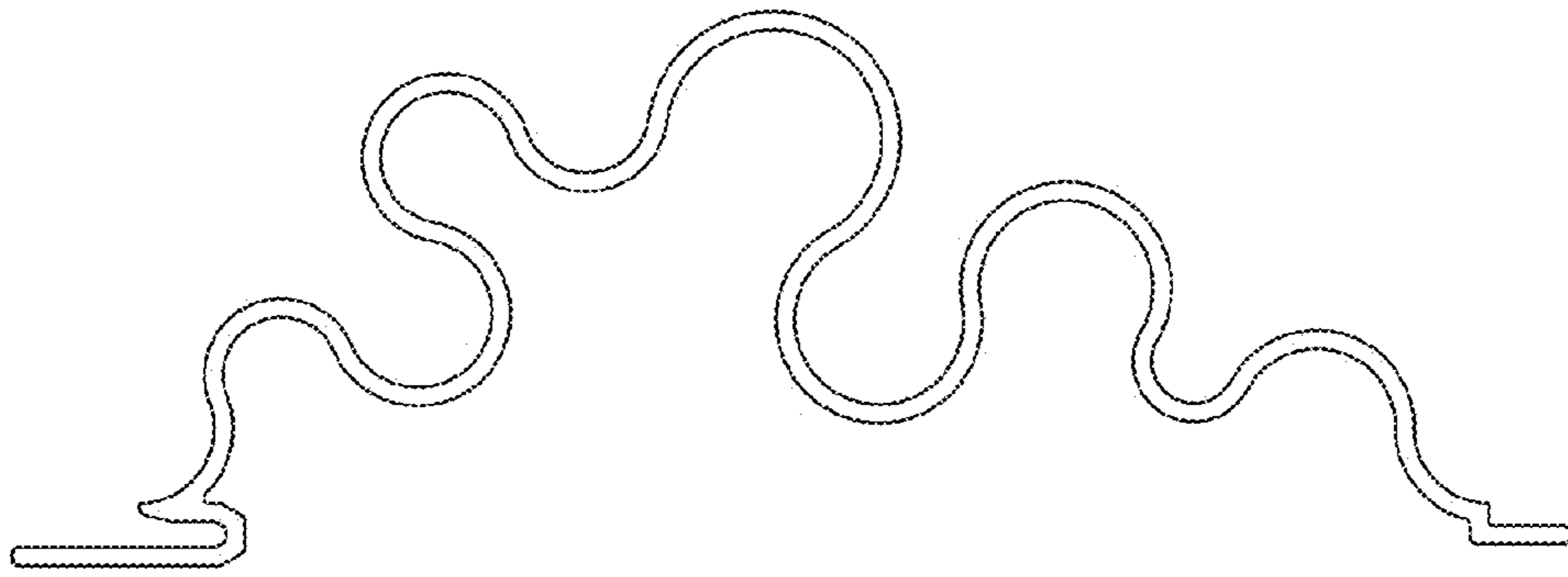


FIG. 4

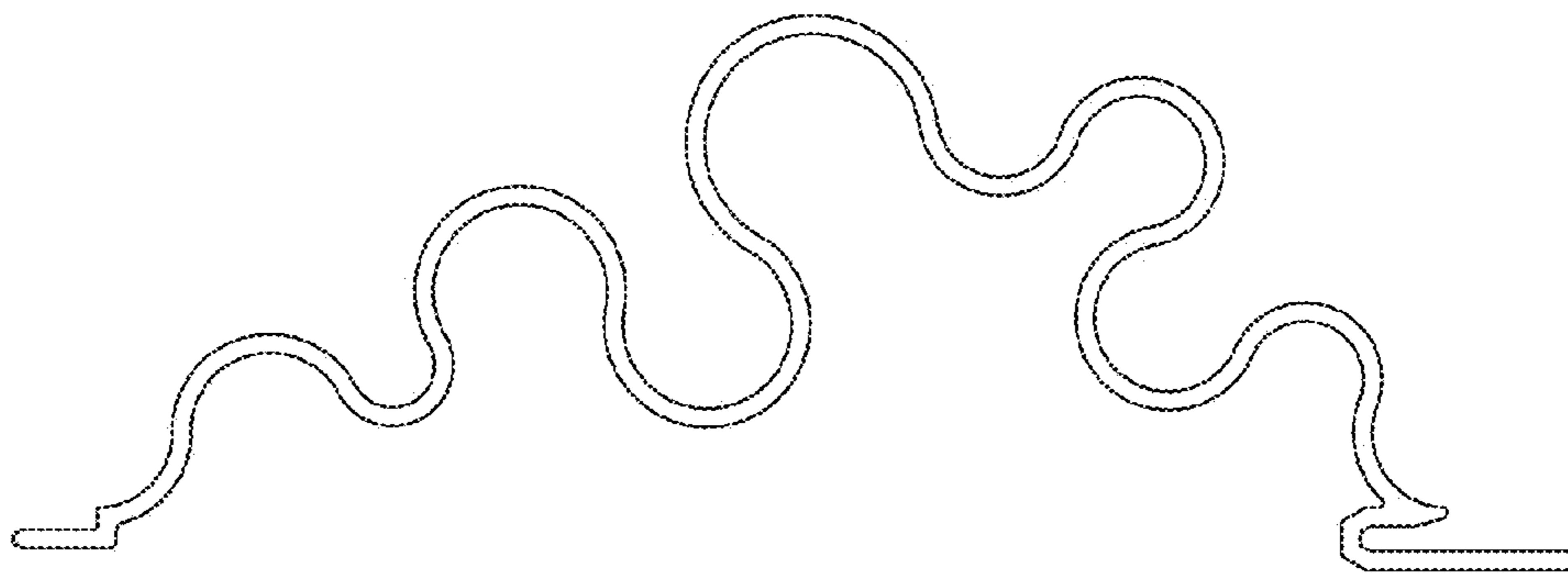


FIG. 5

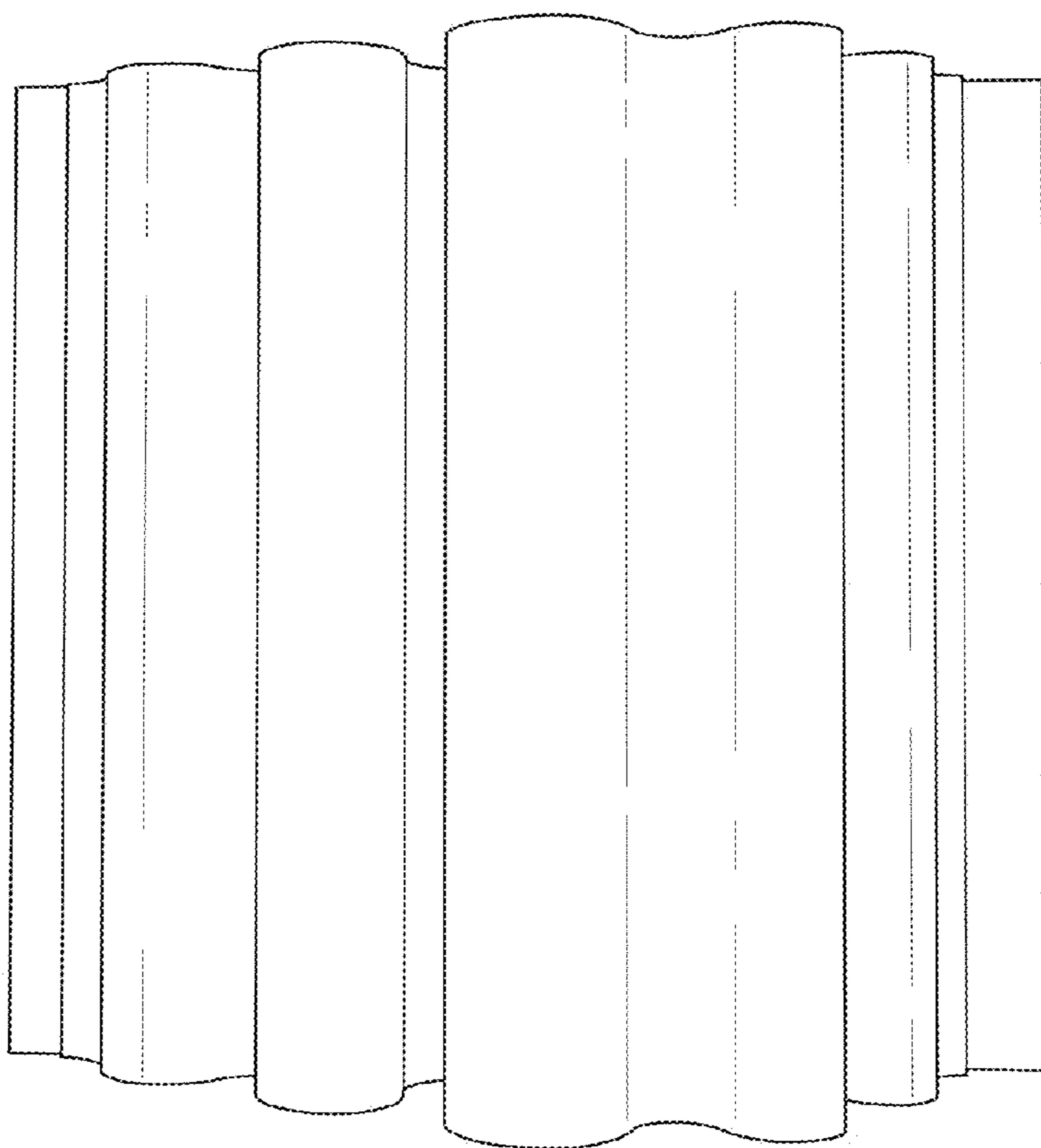


FIG. 6

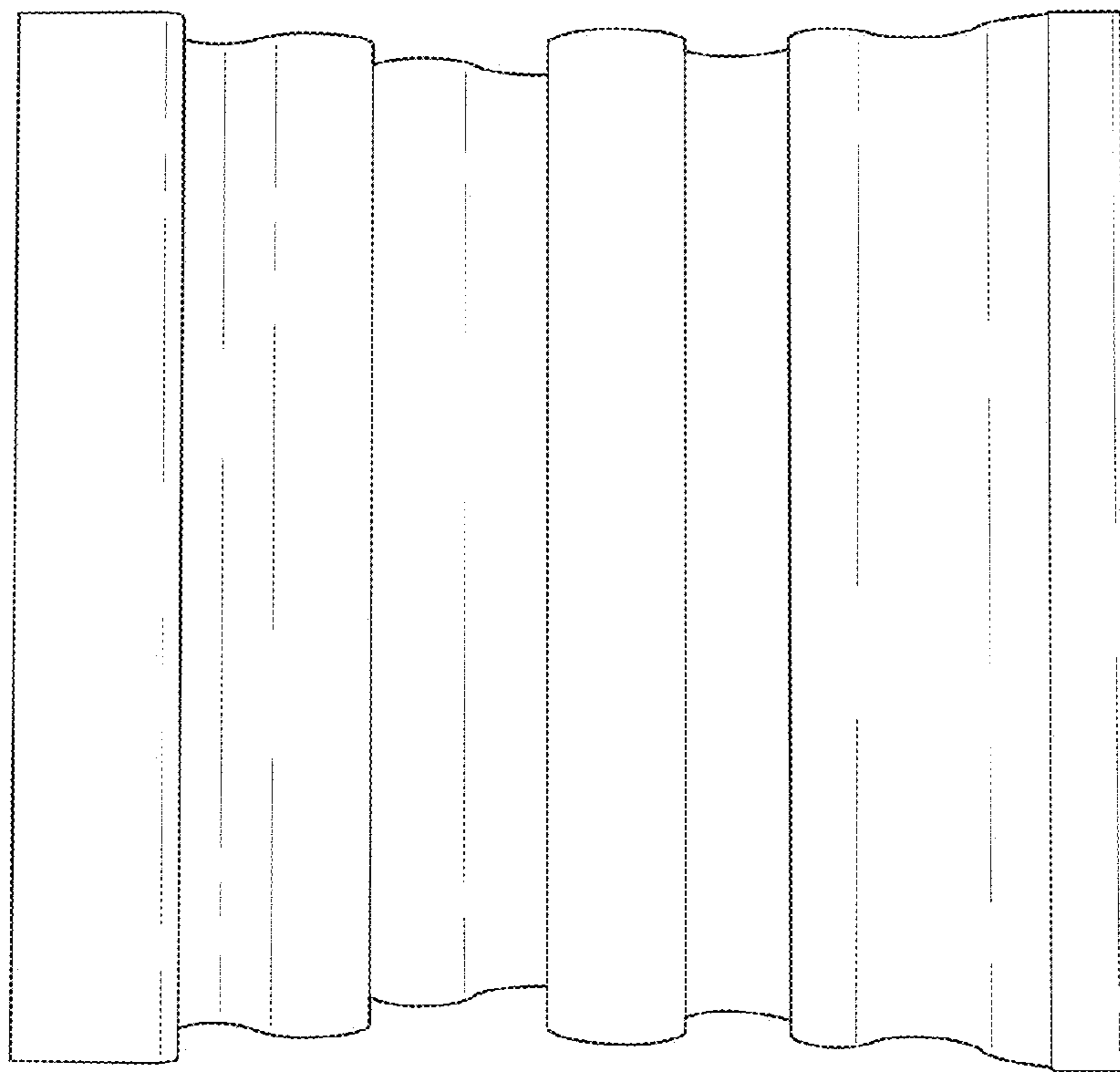


FIG. 7