



US00D738534S

(12) **United States Design Patent**
Thomassen

(10) **Patent No.:** **US D738,534 S**

(45) **Date of Patent:** **** Sep. 8, 2015**

(54) **PAVING BLOCK**

(71) Applicant: **Marcel Thomassen**, Golden Lake (CA)

(72) Inventor: **Marcel Thomassen**, Golden Lake (CA)

(**) Term: **14 Years**

(21) Appl. No.: **29/507,222**

(22) Filed: **Oct. 24, 2014**

(51) **LOC (10) Cl.** **25-01**

(52) **U.S. Cl.**
USPC **D25/113**

(58) **Field of Classification Search**
USPC D25/113-118, 138, 152-162, 164, 199;
405/16, 284, 286; 52/604, 608; 404/41,
404/34; D8/1
CPC E04C 1/00; E04C 1/395; E04B 1/02
See application file for complete search history.

(56) **References Cited**

U.S. PATENT DOCUMENTS

D460,830 S * 7/2002 Unger D25/113
D505,733 S * 5/2005 Castonguay et al. D25/113

D509,001 S * 8/2005 McLean D25/113
D675,345 S * 1/2013 Von Langsdorff D25/113
D688,811 S * 8/2013 Ciccarello D25/113

* cited by examiner

Primary Examiner — Anhdao Doan

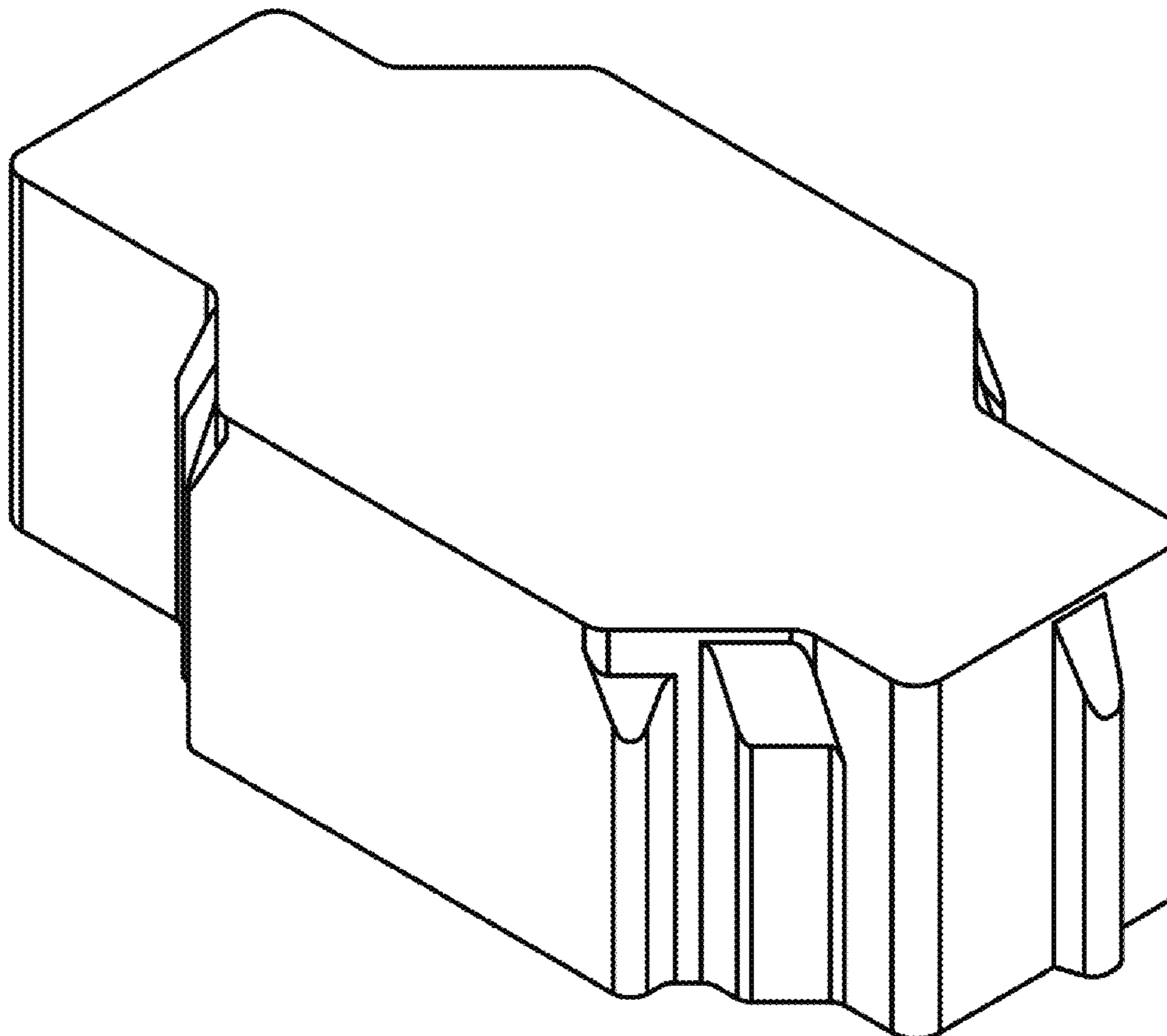
(57) **CLAIM**

I claim the ornamental design for a paving block, as shown and described.

DESCRIPTION

FIG. 1 is a perspective view of a paving block showing my new design;
FIG. 2 is a top view of the paving block of FIG. 1;
FIG. 3 is a front view of the paving block of FIG. 1;
FIG. 4 is a right side view of the paving block of FIG. 1;
FIG. 5 is a rear view of the paving block of FIG. 1;
FIG. 6 is a left side view of the paving block of FIG. 1; and,
FIG. 7 is a top view of the paving block of FIG. 1 with its environment shown in broken lines.
The broken line showing of the like blocks in FIG. 7 view represents environmental subject matter. The broken lines form no part of the claimed design.

1 Claim, 4 Drawing Sheets



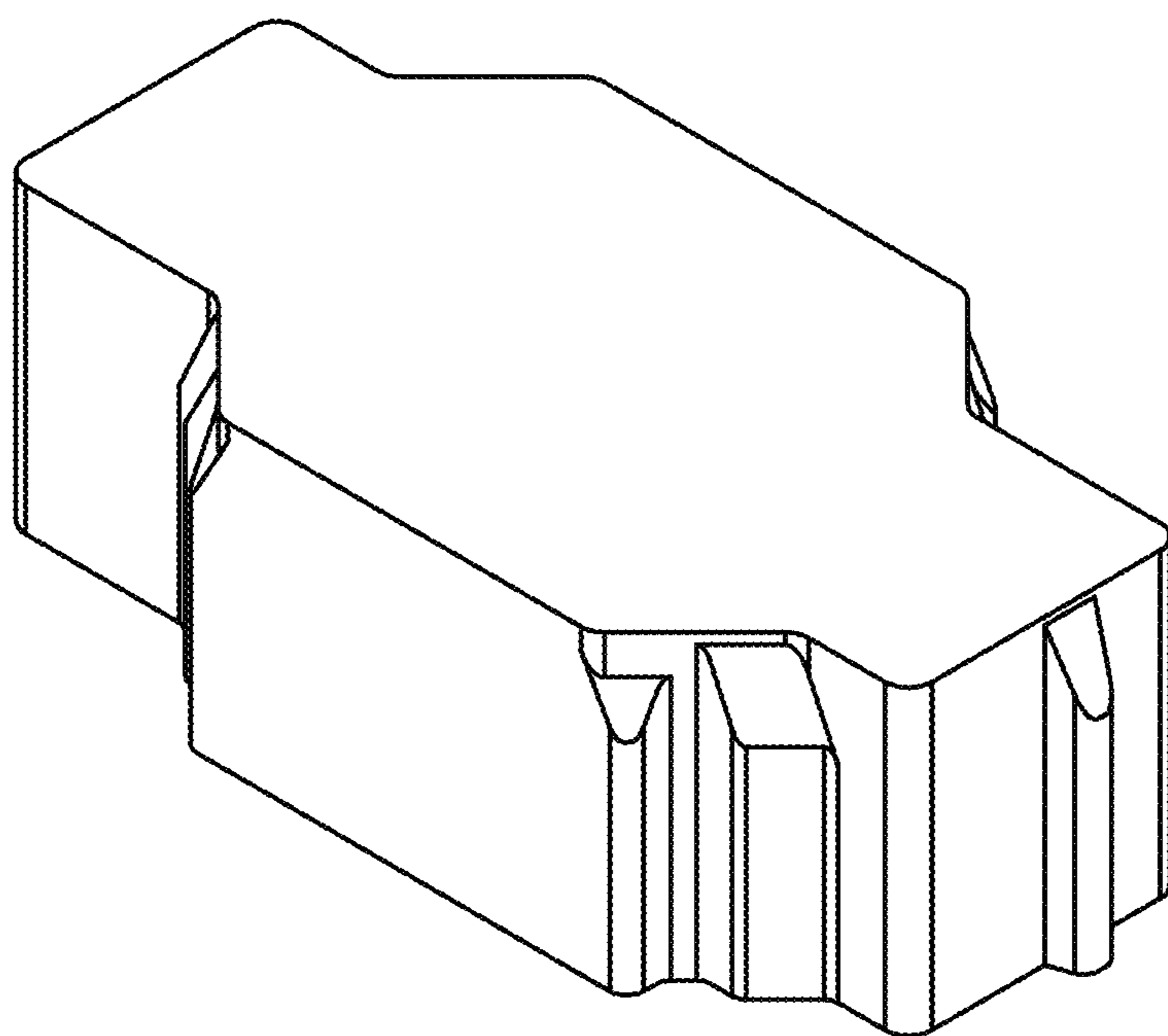


FIG.1

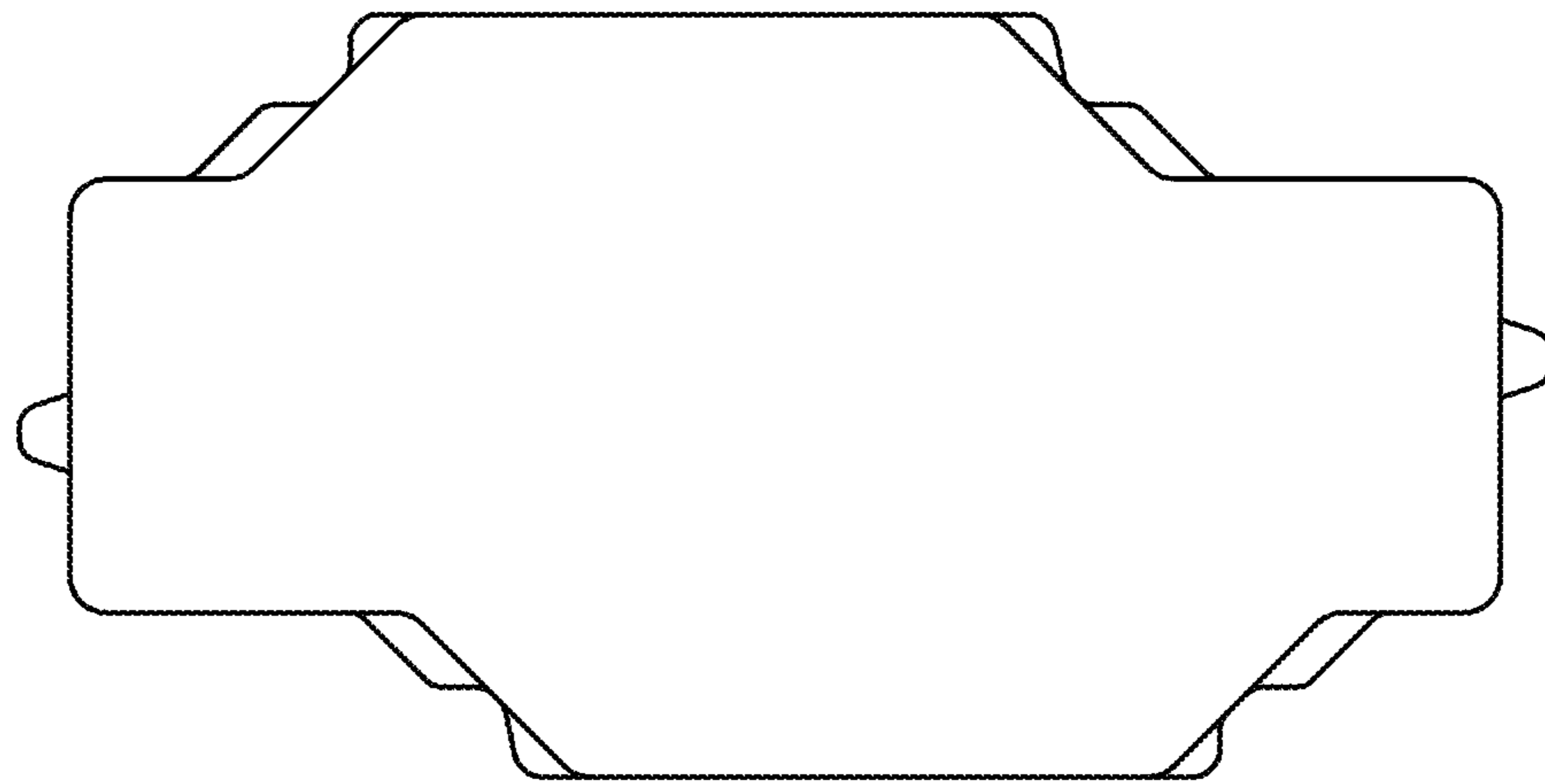


FIG. 2

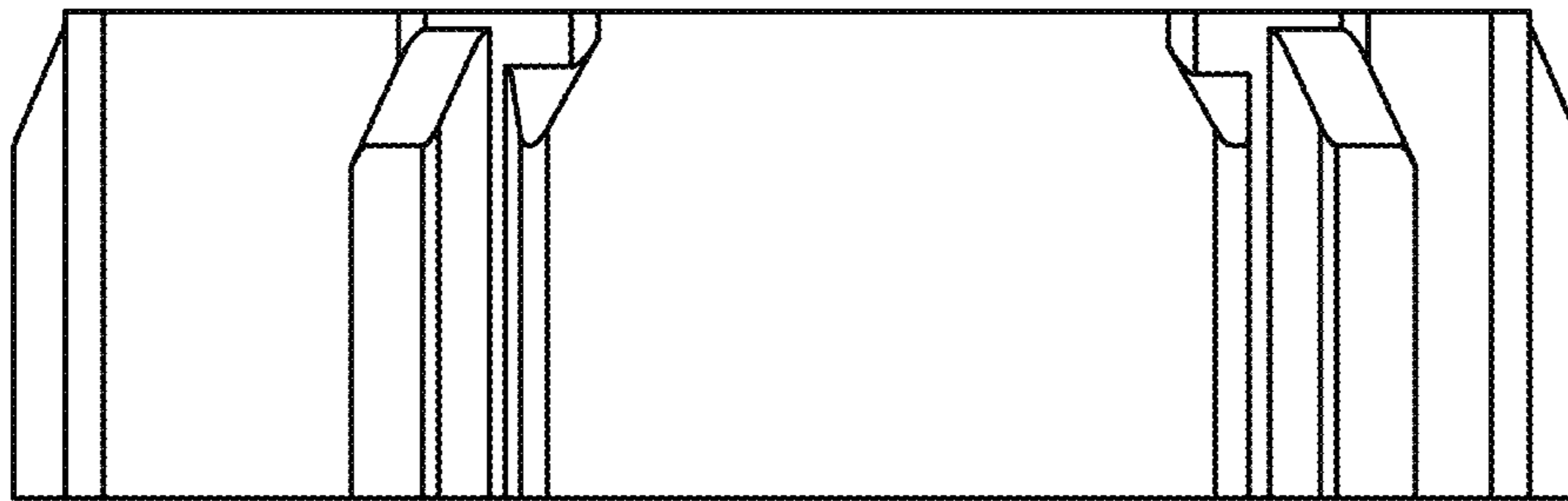


FIG. 3

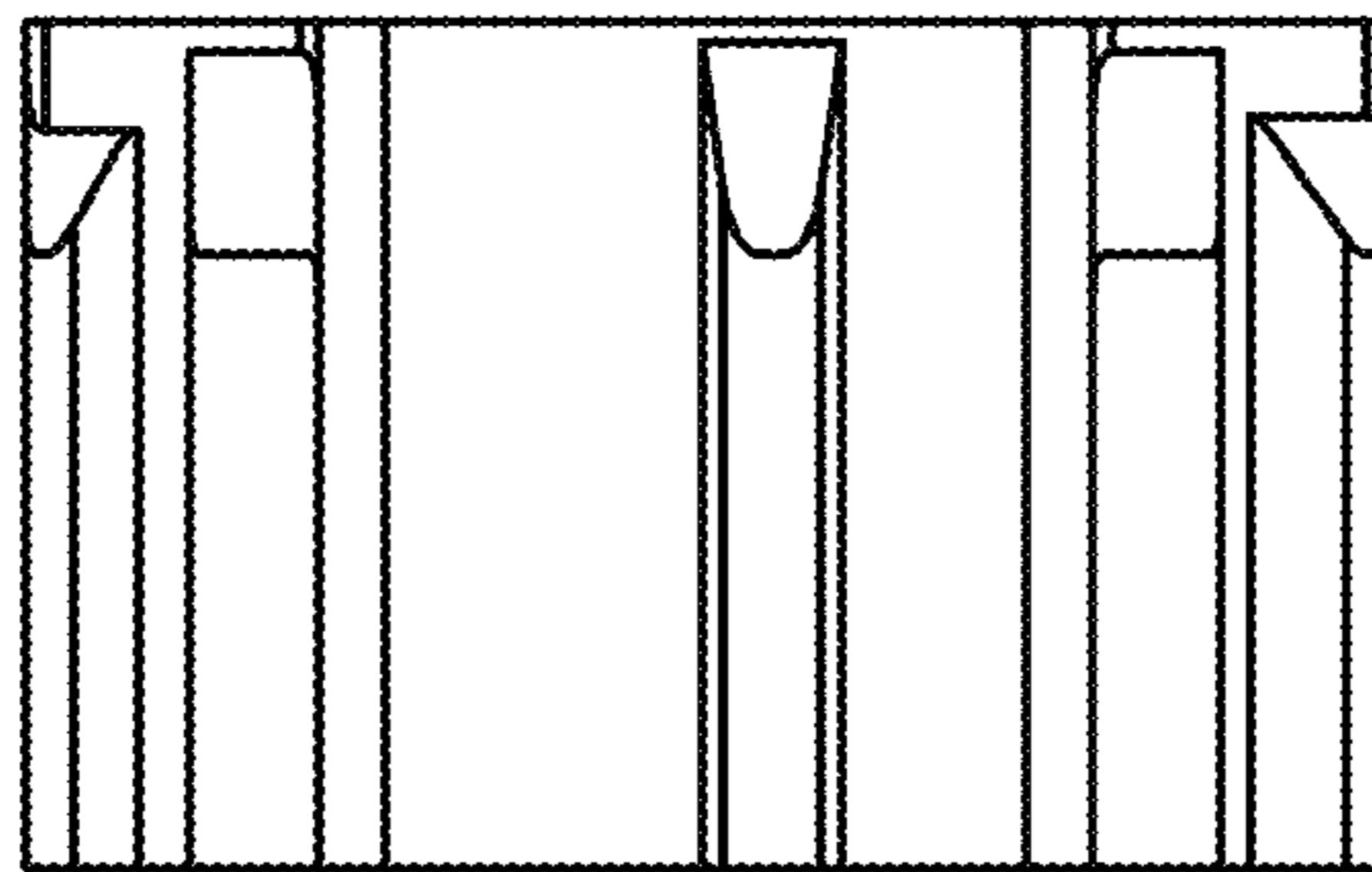


FIG. 4

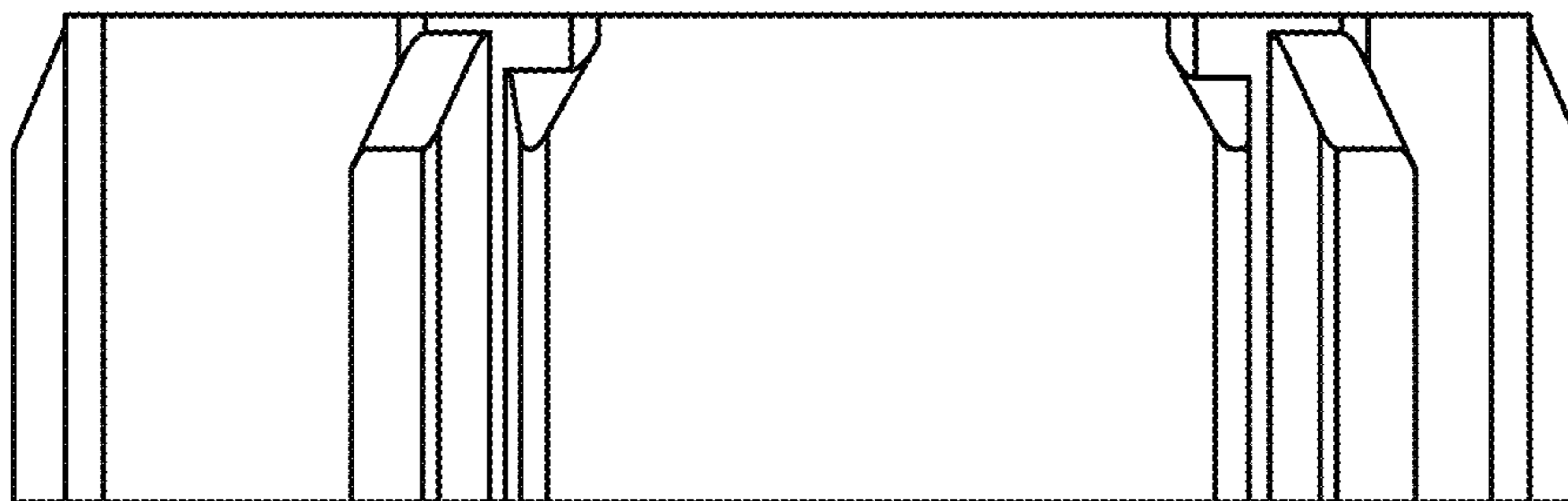


FIG. 5

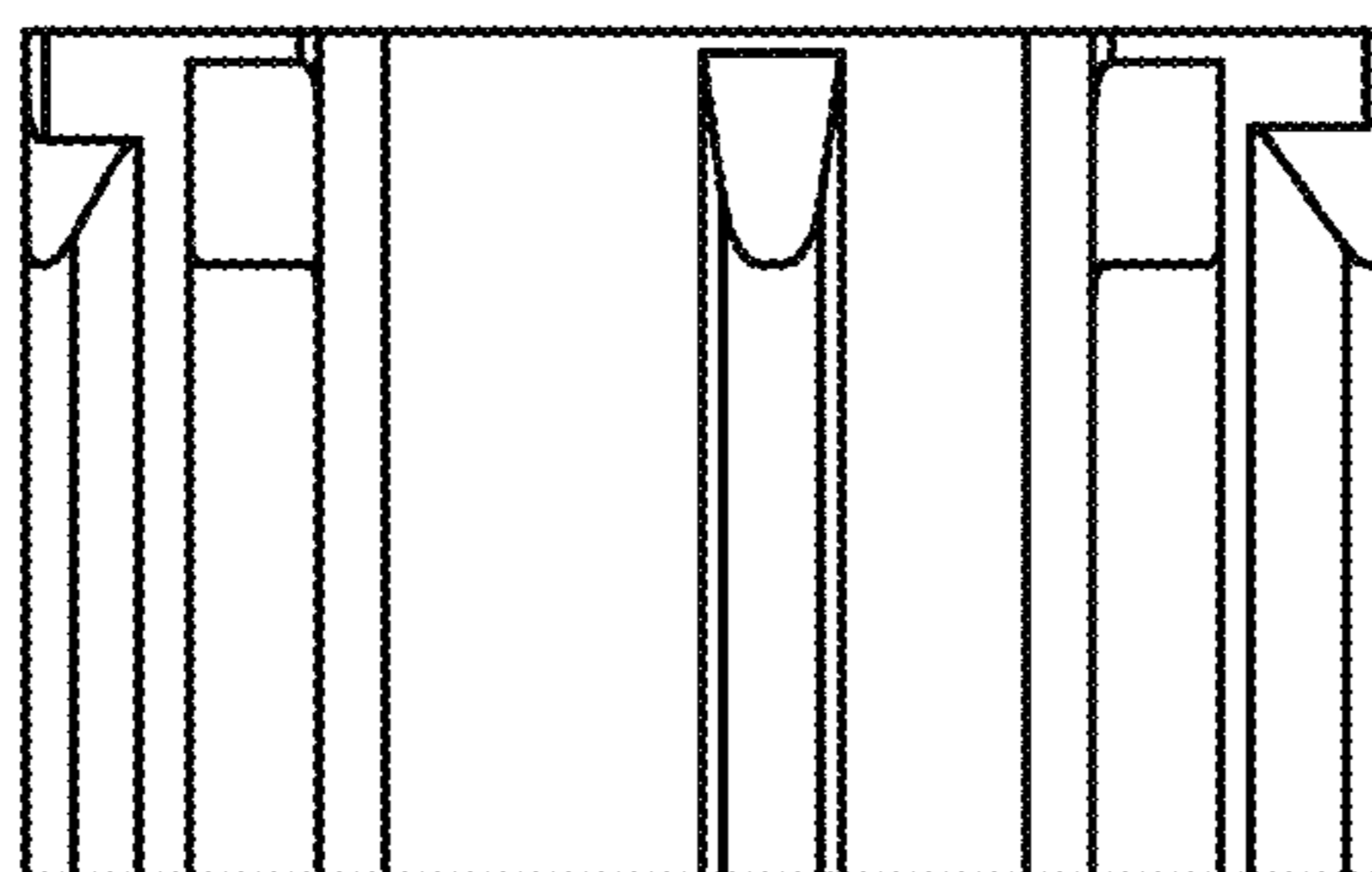


FIG. 6

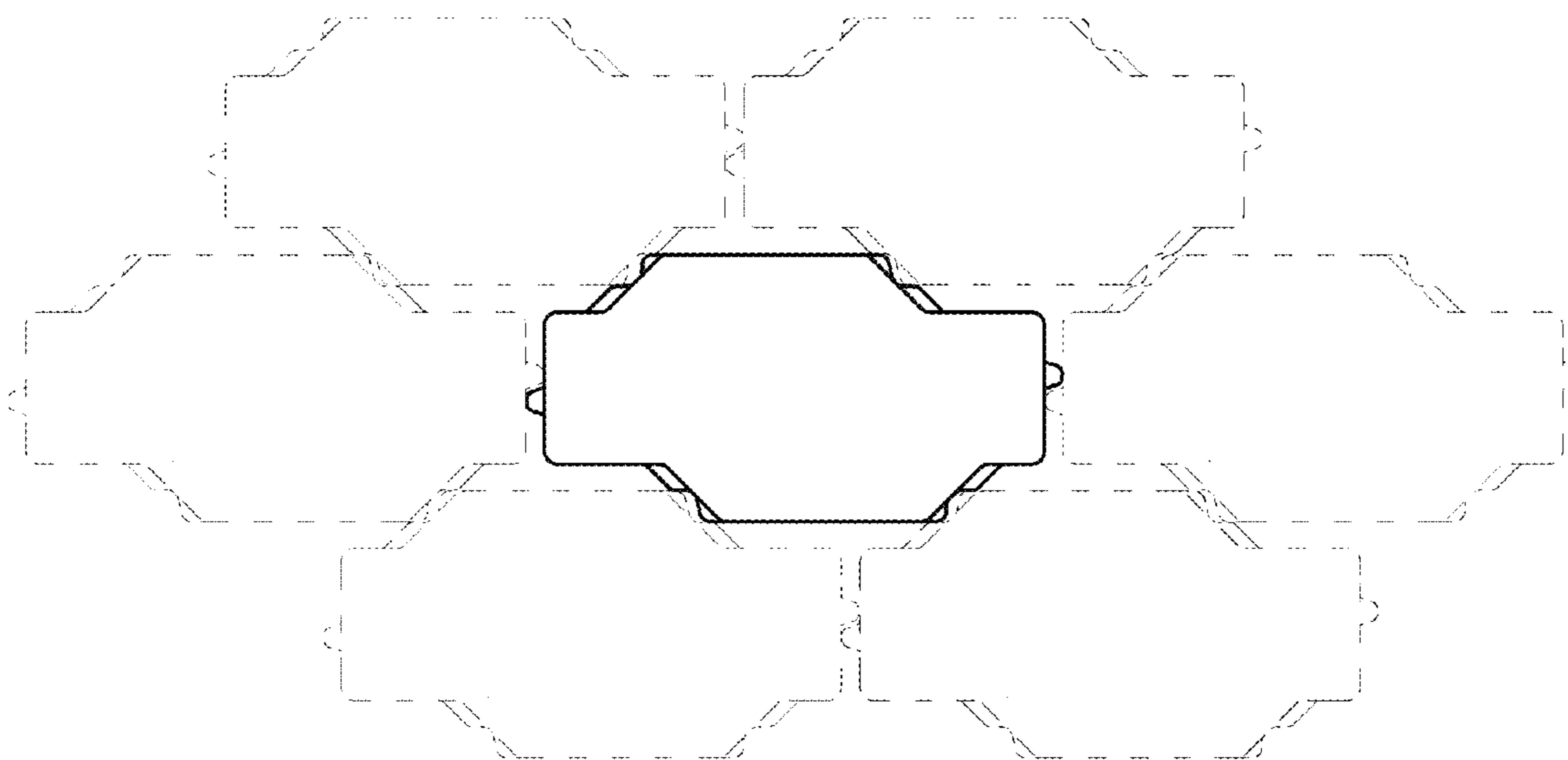


FIG.7