



US00D738533S

(12) **United States Design Patent**
Svirsky

(10) **Patent No.:** **US D738,533 S**

(45) **Date of Patent:** **** Sep. 8, 2015**

(54) **DOOR OR WINDOW AWNING**

(56) **References Cited**

(71) Applicant: **Alexander Svirsky**, Aurora, CO (US)

U.S. PATENT DOCUMENTS

(72) Inventor: **Alexander Svirsky**, Aurora, CO (US)

| | | | | |
|-----------|------|--------|------------------------|----------|
| 2,795,826 | A * | 6/1957 | Turteltaub | 52/74 |
| D194,499 | S * | 2/1963 | Trombley | D25/57 |
| 3,092,171 | A * | 6/1963 | Deddo | 160/40 |
| 6,421,966 | B1 * | 7/2002 | Braunstein et al. | 52/173.3 |

(**) Term: **14 Years**

* cited by examiner

(21) Appl. No.: **29/500,469**

Primary Examiner — Doris Clark

(22) Filed: **Aug. 25, 2014**

(74) *Attorney, Agent, or Firm* — Alexander R. Svirsky

Related U.S. Application Data

(62) Division of application No. 29/438,705, filed on Dec. 1, 2012, now Pat. No. Des. 715,962.

(51) **LOC (10) Cl.** **D25-02**

(52) **U.S. Cl.**
USPC **D25/57**

(58) **Field of Classification Search**
USPC D25/57; 160/22, 45, 50, 58.1; 49/71
See application file for complete search history.

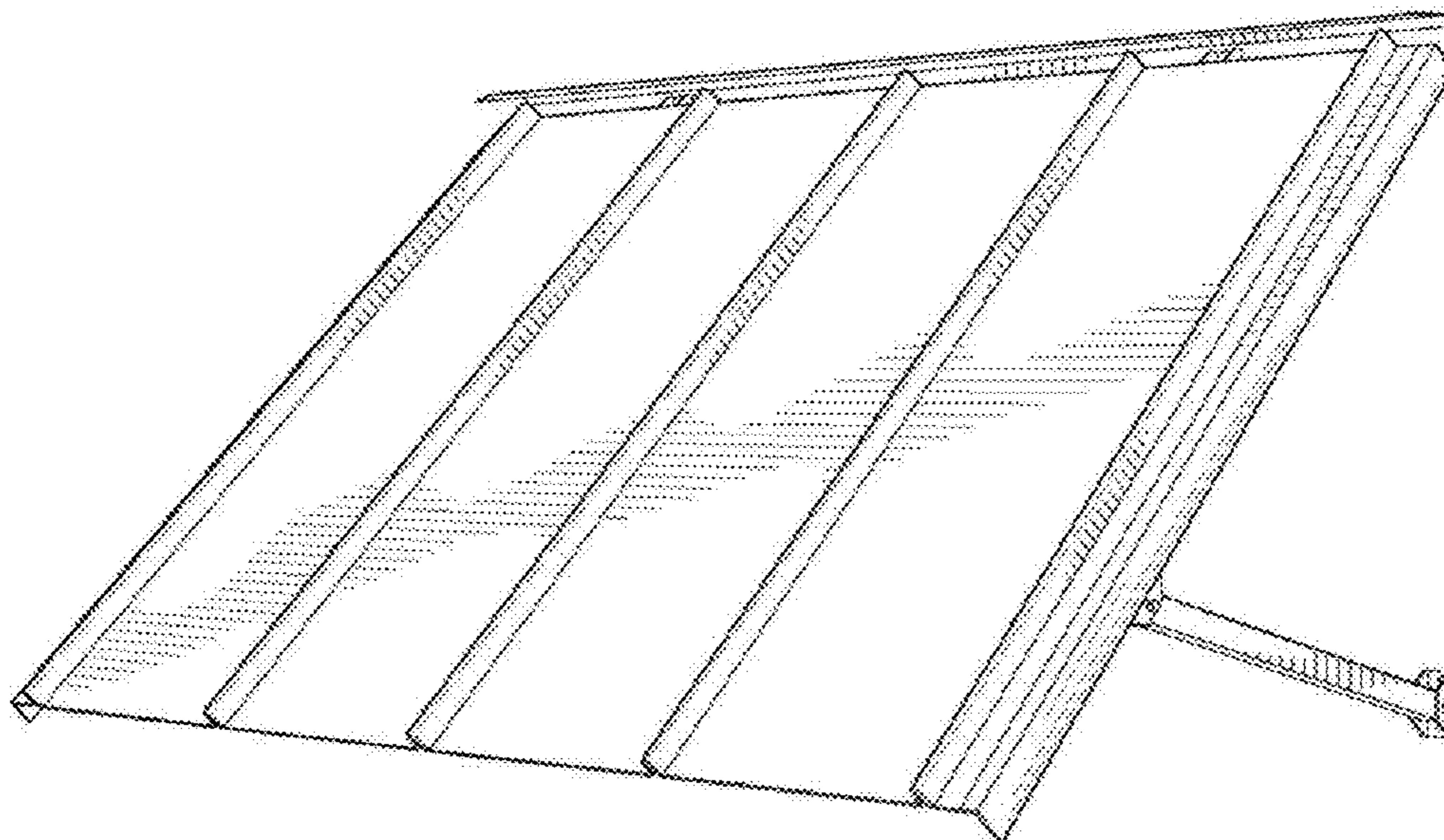
(57) **CLAIM**

The ornamental design for a window or door awning, as shown.

DESCRIPTION

FIG. 1 is a perspective top and right side view of a door or window awning showing my new design;
FIG. 2 is a perspective right side and bottom view thereof;
and,
FIG. 3 is a rear and bottom view thereof.
The left side view of the awning is a mirror image of the right side.

1 Claim, 2 Drawing Sheets



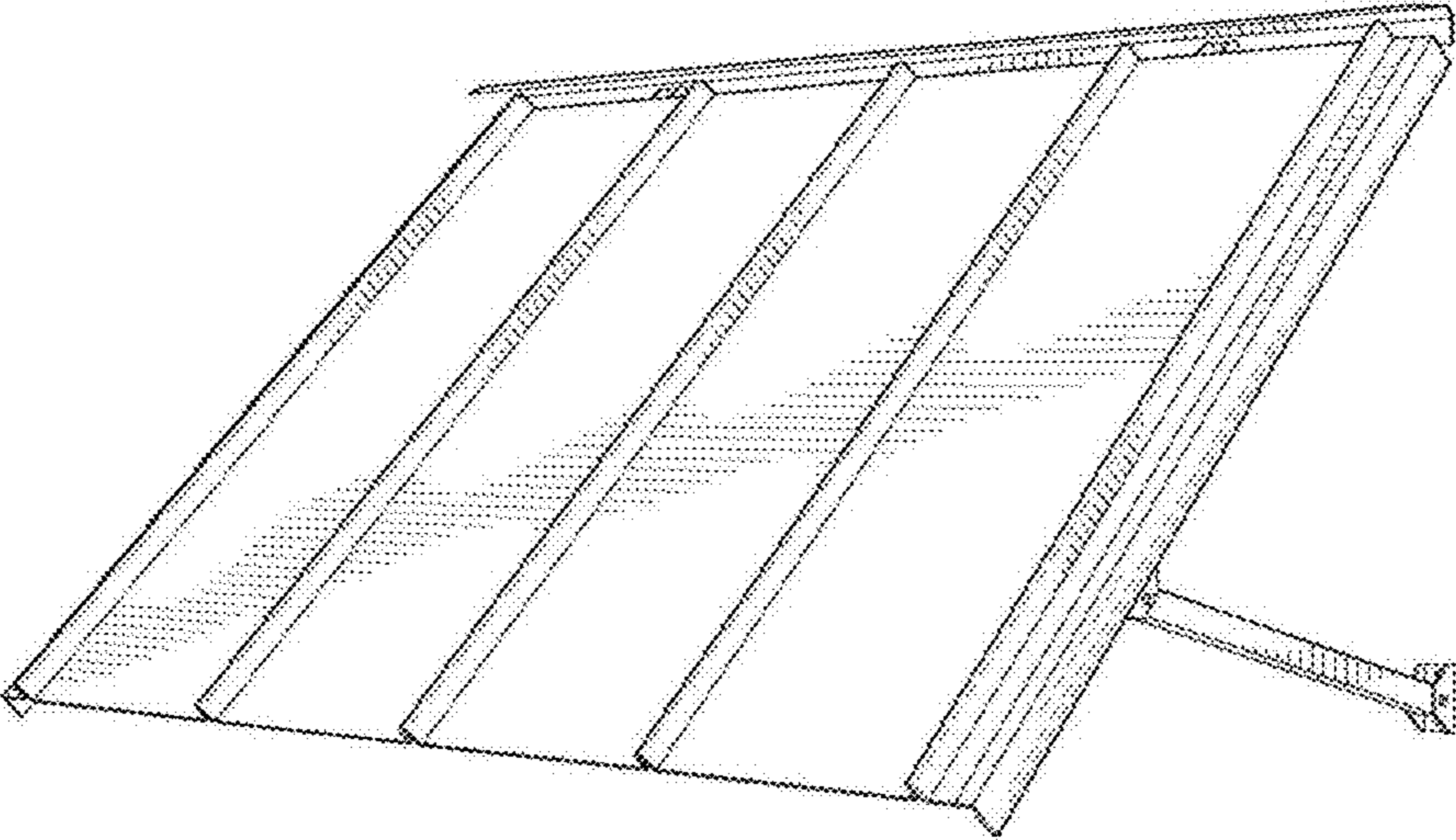


FIG. 1

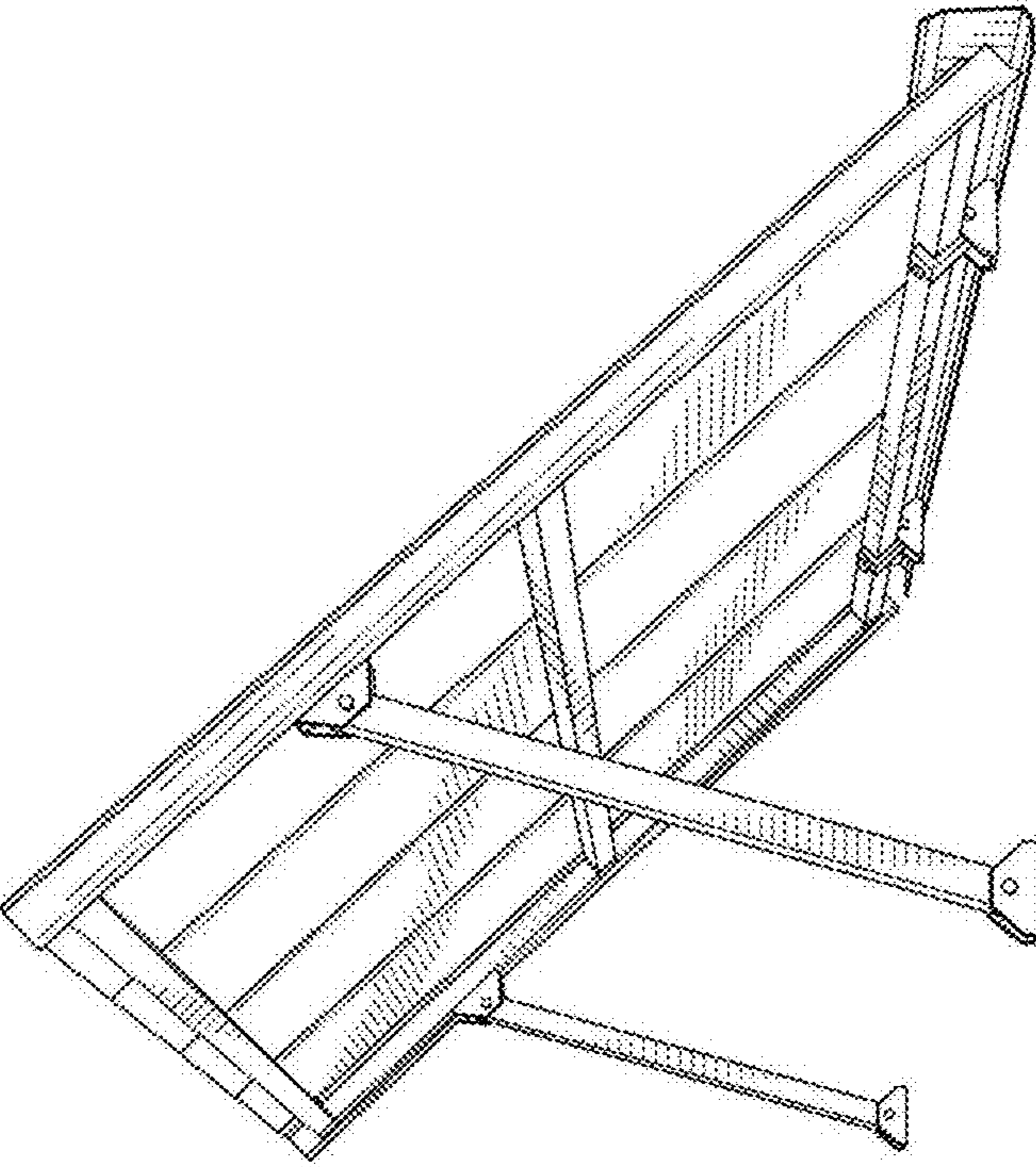


FIG. 2

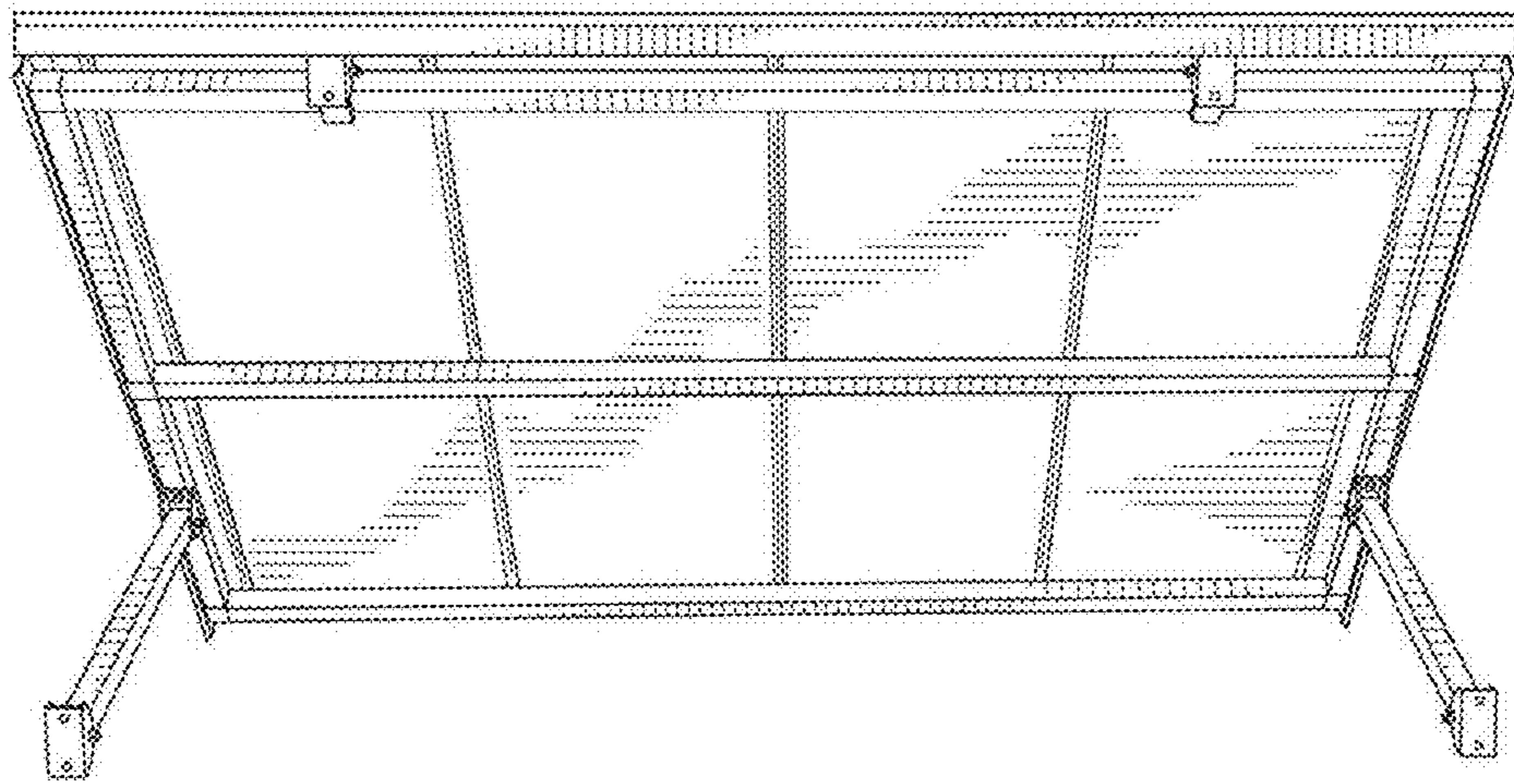


FIG. 3