

US00D738531S

(12) **United States Design Patent**
Pruente

(10) **Patent No.:** **US D738,531 S**
(45) **Date of Patent:** **** Sep. 8, 2015**

- (54) **WALK THROUGH GATE**
- (71) Applicant: **Shane C. Pruente**, Scranton, KS (US)
- (72) Inventor: **Shane C. Pruente**, Scranton, KS (US)
- (**) Term: **14 Years**
- (21) Appl. No.: **29/477,261**
- (22) Filed: **Dec. 20, 2013**
- (51) **LOC (10) Cl.** **25-01**
- (52) **U.S. Cl.**
USPC **D25/39; D25/48.5**
- (58) **Field of Classification Search**
USPC D25/48.5, 48.8, 38.1, 39-44, 48.1;
256/73, 10, 21, 59-65.01, 65.02, 65.1,
256/65.11-65.16, 24-26, 1, 22; D6/332;
49/49-60, 380-403, 463-465, 190,
49/191, 326, 410, 169; 160/218-227,
160/229.1; 119/501, 502, 506, 510, 512,
119/514, 422-424, 503, 507, 524, 522, 523,
119/474, 752, 840-841; D30/199, 119,
D30/114; 292/196, 198, 253, 302; 16/366
CPC . A01K 1/0017; A01K 1/0005; A01K 1/0023;
A01K 1/0029; A01K 1/0613; A01K 1/0209;
A01K 3/00; E05Y 2900/40; E05Y 2900/402;
E05Y 2900/404; E04H 17/18; E06B 11/00;
E06B 11/02; E06B 11/04; E06B 11/06
See application file for complete search history.

(56) **References Cited**
U.S. PATENT DOCUMENTS

315,978	A *	4/1885	Turner	292/188
683,694	A *	10/1901	Livingston	49/191
727,494	A *	5/1903	Thompson	292/189
917,275	A *	4/1909	Fasold	49/191
1,028,588	A *	6/1912	Mitchell	49/169
1,242,757	A	10/1917	Anway	
1,656,127	A *	1/1928	Sargent	256/25
1,873,493	A *	8/1932	Scott	119/524

D89,254	S *	2/1933	Burge	D25/48.5
2,504,214	A *	4/1950	Miller et al.	119/840
2,572,171	A *	10/1951	McCullough	49/191
2,668,381	A *	2/1954	Ferris	49/301
2,770,482	A *	11/1956	Kusiek	292/246
2,904,001	A *	9/1959	Ferris	119/14.03
2,938,711	A	5/1960	Luff	
2,972,825	A *	2/1961	Stillwell et al.	49/410
3,072,099	A *	1/1963	Stevens	119/840
3,370,835	A *	2/1968	Crowson	256/26
3,543,723	A *	12/1970	Van Gilst	119/521
3,626,903	A *	12/1971	Van Gilst	119/502
3,805,742	A *	4/1974	Shulick et al.	119/524
3,908,599	A *	9/1975	Flocchini	119/510
D237,722	S *	11/1975	Kratky	D25/48.5
3,929,104	A *	12/1975	Corbin	119/734
D239,543	S *	4/1976	Kratky	D25/48.5
D244,459	S *	5/1977	Kratky	D25/48.5
4,129,096	A *	12/1978	Nickel	119/521
4,145,031	A *	3/1979	Baker, II	256/73
D254,753	S *	4/1980	McDonald	D30/114
4,198,927	A *	4/1980	Guiavarc'h	119/524
4,201,157	A *	5/1980	Lambert	119/752
4,356,999	A *	11/1982	McShane	256/26

(Continued)

Primary Examiner — Susan Moon Lee

(74) Attorney, Agent, or Firm — Dale J. Ream

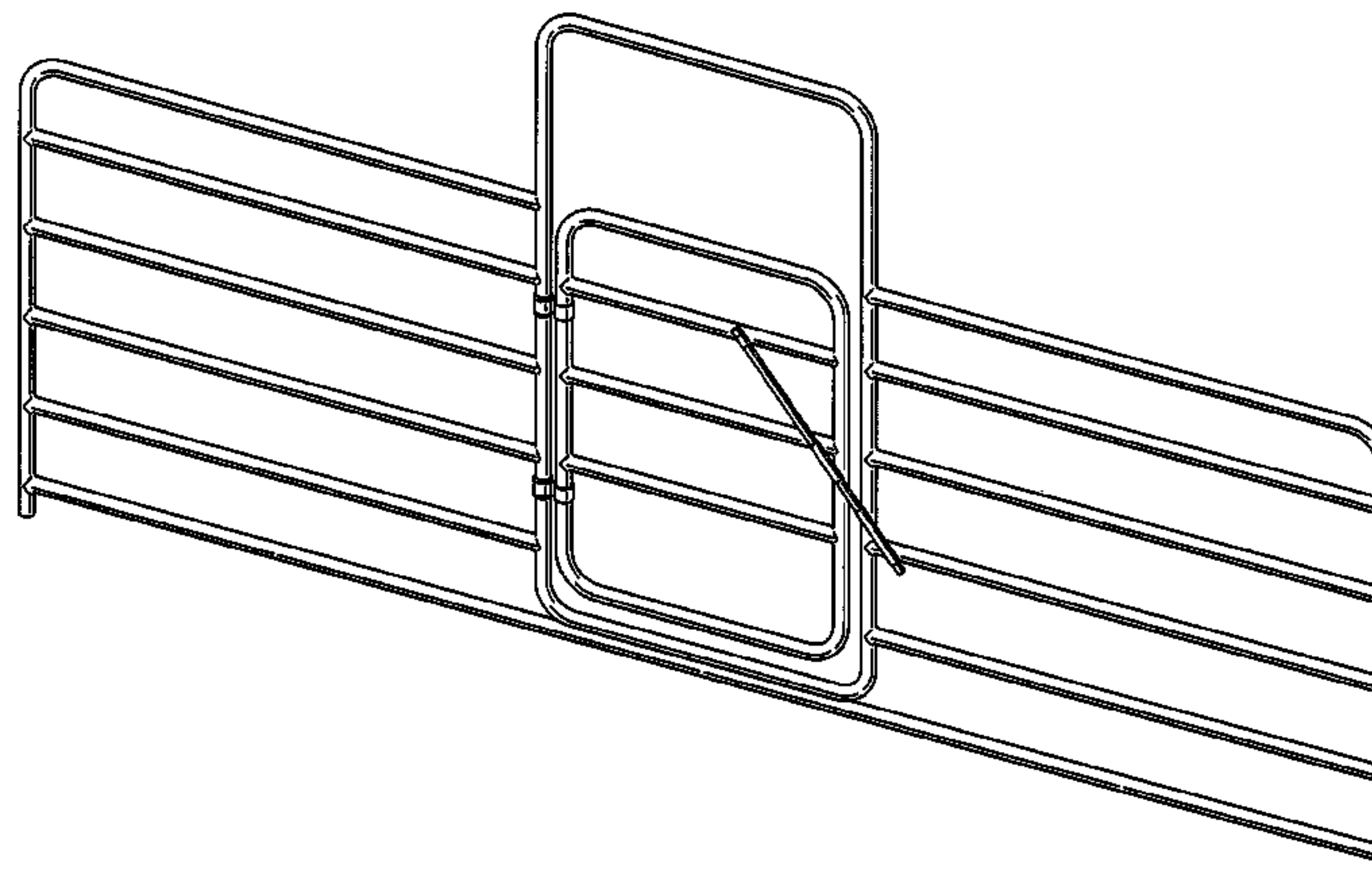
(57) **CLAIM**

The ornamental design for a walk through gate, as shown and described.

DESCRIPTION

FIG. 1 is a perspective view of a walk through gate showing my new design;
 FIG. 2 is a front view thereof;
 FIG. 3 is a back view thereof;
 FIG. 4 is a left side view thereof;
 FIG. 5 is a right side view thereof;
 FIG. 6 is a top view thereof; and,
 FIG. 7 is a bottom view thereof.

1 Claim, 5 Drawing Sheets



(56)

References Cited

U.S. PATENT DOCUMENTS

- 4,572,109 A * 2/1986 Nixon 119/841
D284,704 S * 7/1986 Malkmus-Dornemann D25/48.5
- D286,690 S * 11/1986 Priefert D30/119
4,628,635 A 12/1986 Maillard
4,821,679 A * 4/1989 Hackert 119/502
D301,621 S * 6/1989 Muntz et al. D25/48.5
4,836,143 A * 6/1989 Shadbolt, Jr. 119/514
4,844,424 A * 7/1989 Knudslien 256/26
4,960,074 A * 10/1990 Wilson 119/512
5,042,198 A * 8/1991 Privratsky 49/248
5,050,344 A * 9/1991 Skeem 49/237
5,138,796 A * 8/1992 Grainger 49/238
5,185,972 A * 2/1993 Markiewicz 52/63
5,201,498 A * 4/1993 Akins 256/26
5,272,840 A 12/1993 Knoedler et al.
5,282,336 A * 2/1994 Tucker 49/21
5,303,900 A * 4/1994 Zulick et al. 256/65.05
5,533,714 A * 7/1996 St. John 256/26
5,535,550 A 7/1996 Yang
D373,199 S * 8/1996 Vanthournout D25/48.5
D381,134 S * 7/1997 Alford et al. D30/119
5,651,333 A * 7/1997 Fisher 119/734
D392,426 S * 3/1998 DaSilveira D30/119
D396,333 S * 7/1998 Alford et al. D30/119
5,878,692 A * 3/1999 Ornerfors 119/14.08
5,878,695 A * 3/1999 Gent 119/503
5,899,171 A * 5/1999 Abrahamson 119/512
5,927,011 A 7/1999 Sickenius
5,950,562 A * 9/1999 Schulte et al. 119/51.02
6,067,940 A * 5/2000 Holder 119/512
6,073,587 A * 6/2000 Hill et al. 119/474
6,138,812 A * 10/2000 Kimener 193/35 G
6,305,672 B1 * 10/2001 Case et al. 256/65.01
6,349,924 B1 * 2/2002 Studebaker et al. 256/65.01
- 6,394,027 B2 * 5/2002 Gallagher et al. 119/14.03
D472,331 S * 3/2003 Zadak D25/48.5
D474,282 S * 5/2003 Miller et al. D25/48.5
6,561,493 B1 * 5/2003 Lackey, Jr. 256/73
6,655,090 B2 * 12/2003 Regner 49/386
7,000,673 B2 * 2/2006 Cook 160/210
7,013,837 B2 * 3/2006 Chun 119/447
7,086,351 B1 * 8/2006 Michalek 119/524
D538,944 S * 3/2007 Link D25/48.5
7,246,572 B1 * 7/2007 Wade 119/516
D552,751 S * 10/2007 Van Buskirk D25/38.1
7,421,977 B2 * 9/2008 Van Den Berg 119/520
7,530,332 B2 * 5/2009 May et al. 119/502
7,603,965 B1 * 10/2009 Betts 119/524
7,637,541 B2 * 12/2009 Nesseth 292/196
7,743,556 B2 * 6/2010 Stoffels 49/394
D620,608 S * 7/2010 Deneyer D25/38.1
D630,803 S * 1/2011 Lee et al. D30/199
7,975,431 B2 7/2011 Flannery
D646,399 S * 10/2011 Deneyer D25/38.1
8,210,128 B1 * 7/2012 Lato 119/510
8,448,381 B2 5/2013 Flannery
9,022,359 B2 * 5/2015 McAlmond 256/73
2002/0148411 A1 * 10/2002 Markham 119/512
2005/0263093 A1 * 12/2005 Rosen 119/524
2006/0070582 A1 * 4/2006 Prescott 119/512
2007/0193523 A1 8/2007 Thibault
2008/0237561 A1 * 10/2008 Cozby 256/73
2008/0290173 A1 * 11/2008 Kotlarsky et al. 235/462.42
2008/0296548 A1 * 12/2008 McDonald 256/26
2008/0302310 A1 * 12/2008 Kleinsasser 119/521
2009/0000564 A1 * 1/2009 Meyer, Jr. 119/514
2010/0236495 A1 * 9/2010 Kleinsasser 119/524
2011/0108790 A1 * 5/2011 Cromie et al. 256/73
2012/0056144 A1 * 3/2012 Woods et al. 256/73
2012/0233922 A1 9/2012 Flannery et al.
2013/0048933 A1 * 2/2013 Trush 256/19
2014/0110655 A1 * 4/2014 McAlmond 256/73

* cited by examiner

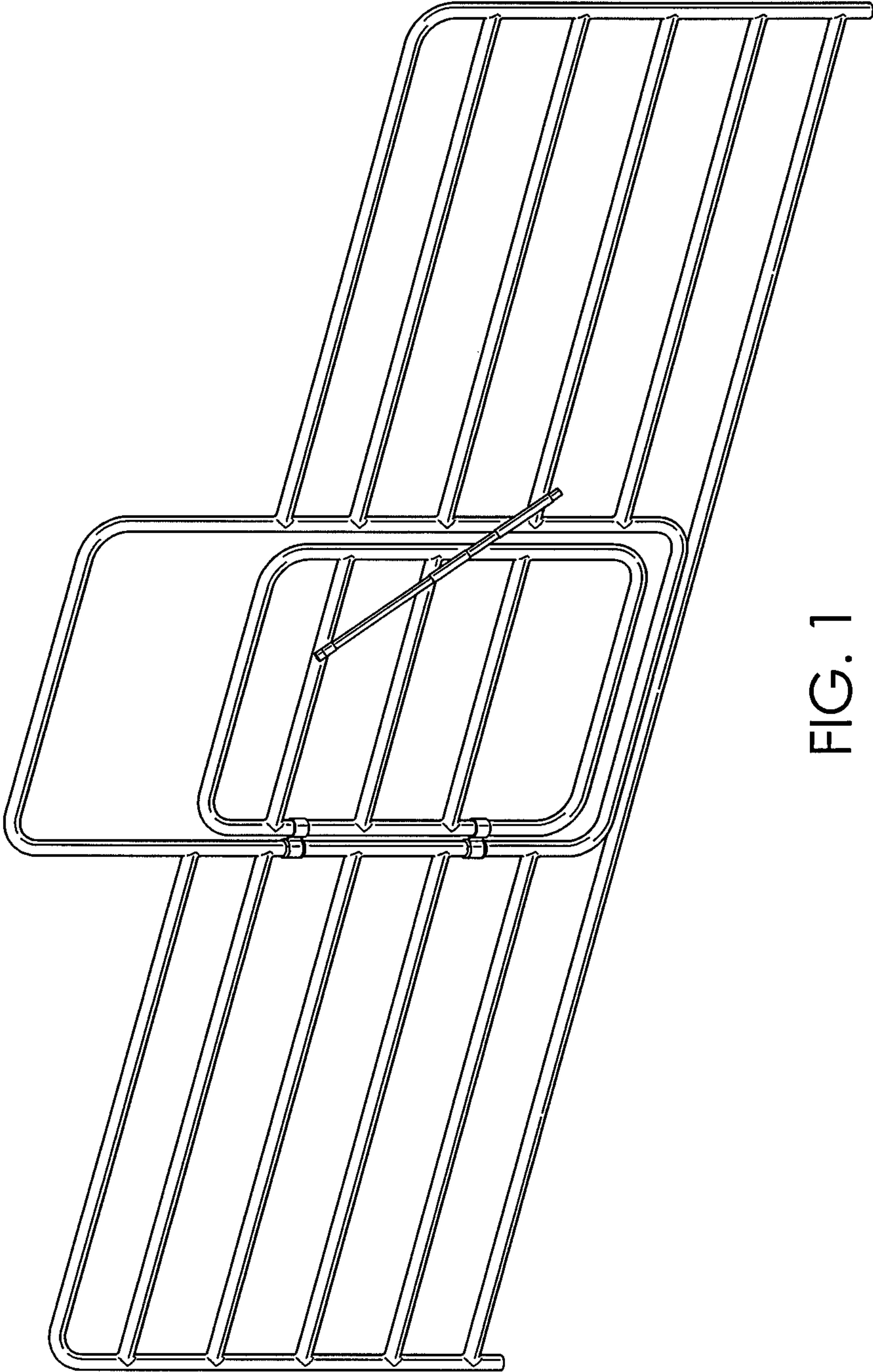


FIG. 1

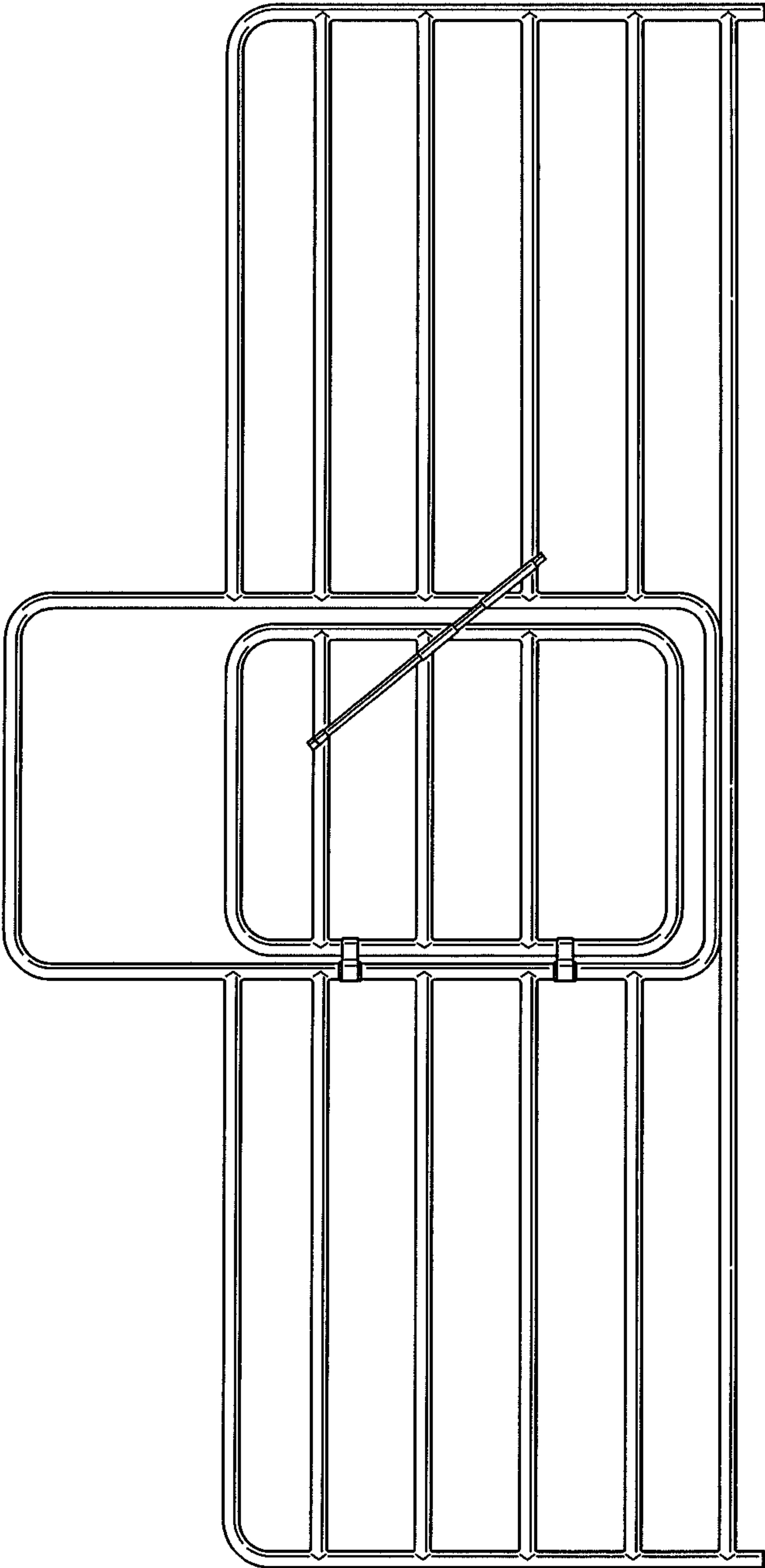


FIG. 2

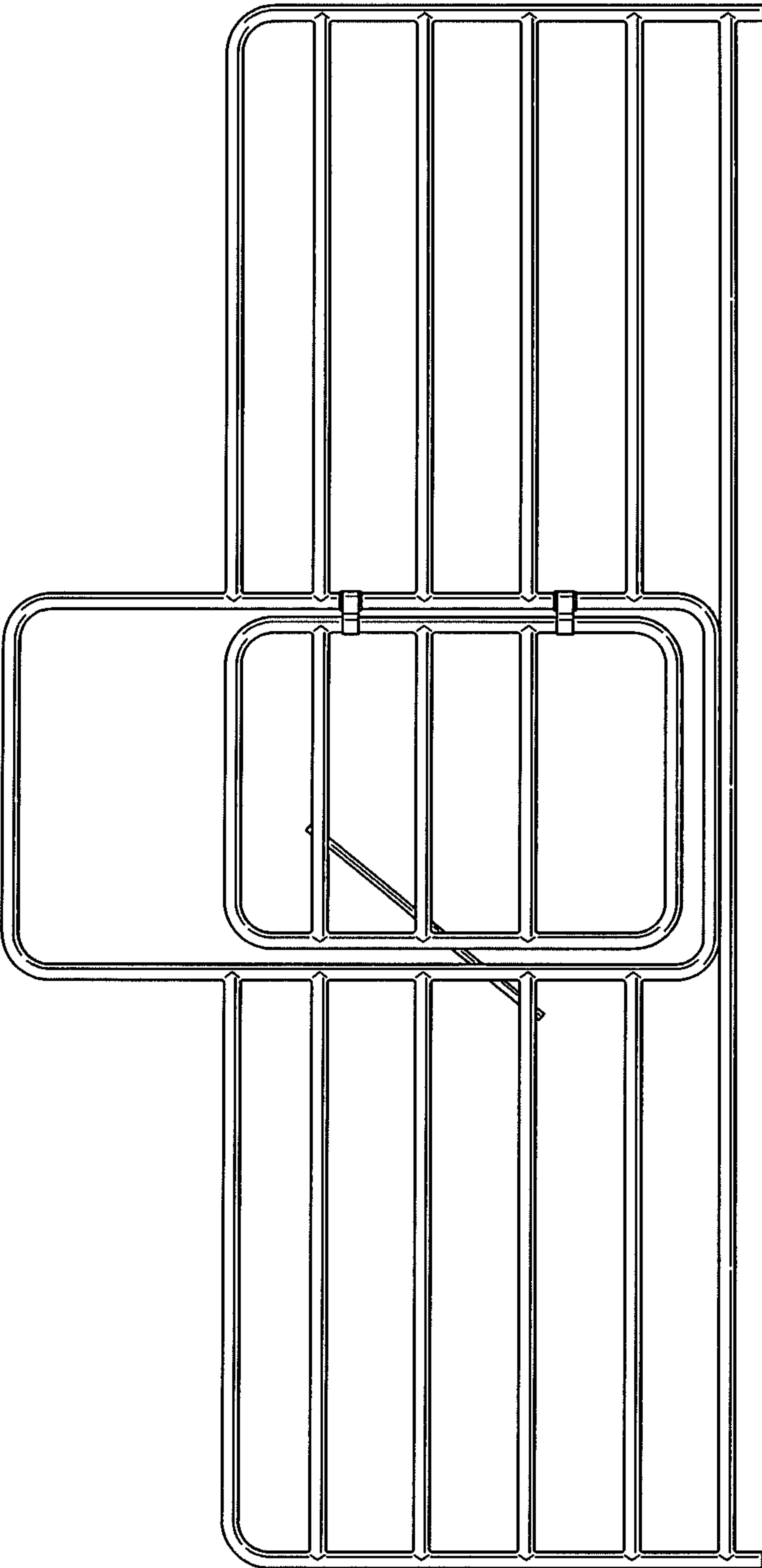


FIG. 3

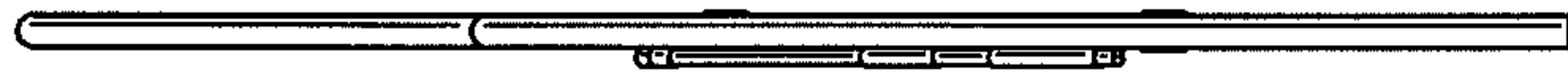


FIG. 5

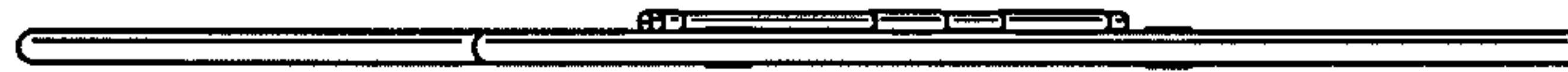


FIG. 4



FIG. 6



FIG. 7