



US00D738530S

(12) **United States Design Patent**
Thomas et al.

(10) **Patent No.:** **US D738,530 S**
(45) **Date of Patent:** **** Sep. 8, 2015**

(54) **FENCE**

(71) Applicants: **Glenn Thomas**, Botany (AU); **Lee Thomas**, Botany (AU)

(72) Inventors: **Glenn Thomas**, Botany (AU); **Lee Thomas**, Botany (AU)

(**) Term: **14 Years**

(21) Appl. No.: **29/471,343**

(22) Filed: **Oct. 30, 2013**

(30) **Foreign Application Priority Data**

Apr. 30, 2013 (AU) 11998/2013

(51) **LOC (10) Cl.** **25-02**

(52) **U.S. Cl.**
USPC **D25/38.1**

(58) **Field of Classification Search**
USPC D25/38.1, 39; 256/24, 19, 20, 21, 73
See application file for complete search history.

(56) **References Cited**

U.S. PATENT DOCUMENTS

3,193,255 A * 7/1965 Burdett 256/19
D233,769 S * 11/1974 Wilder D25/38.1
4,688,767 A * 8/1987 Bradshaw 256/19

* cited by examiner

Primary Examiner — Doris Clark

(74) *Attorney, Agent, or Firm* — The Belles Group, P.C.

(57) **CLAIM**

We claim the ornamental design for a fence, as shown and described herein.

DESCRIPTION

FIG. 1 is a front perspective view of a fence in accordance with the new design, the rear perspective view being a mirror-image thereof;

FIG. 2 is a front view thereof;

FIG. 3 is a rear view thereof;

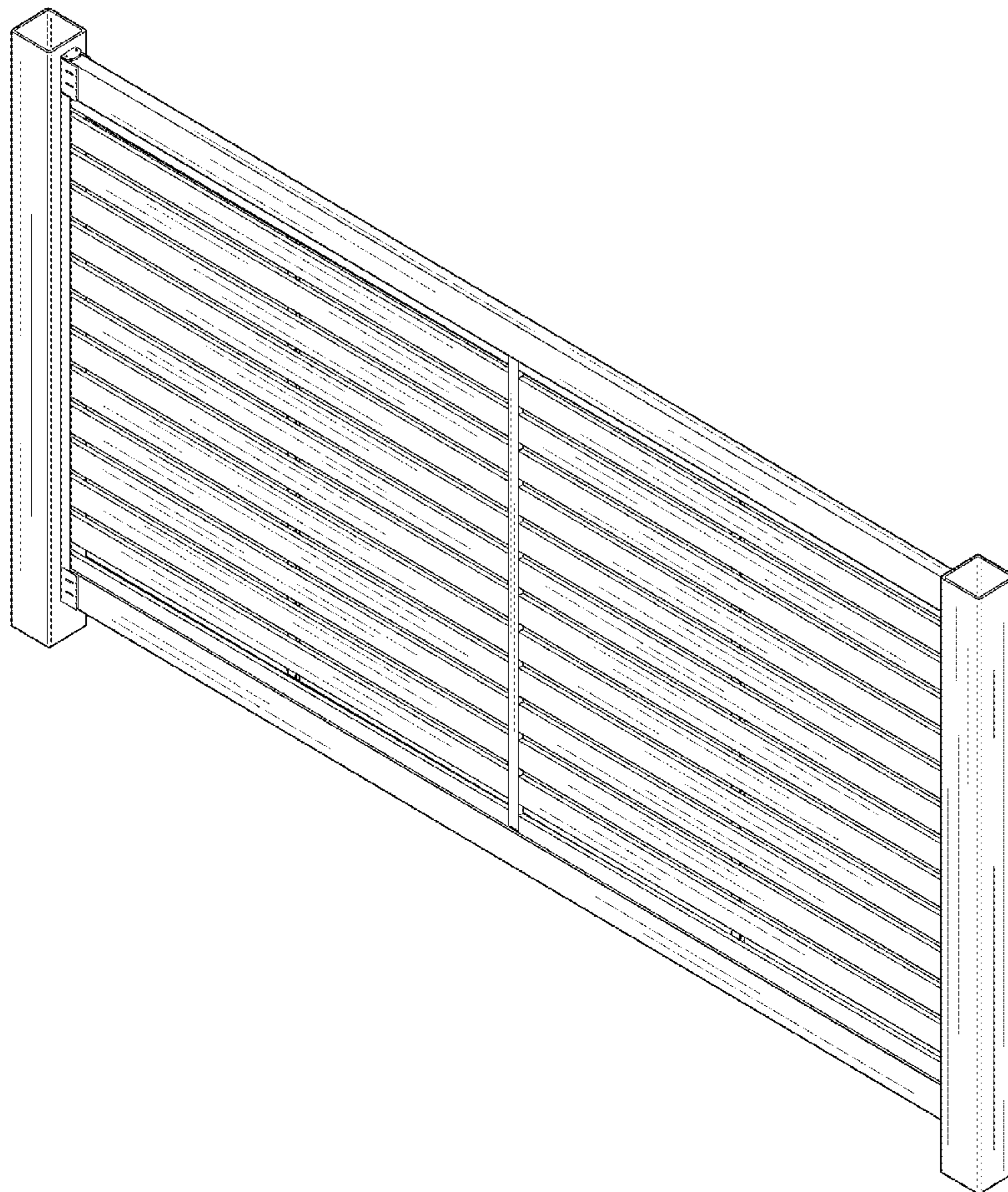
FIG. 4 is a top view thereof;

FIG. 5 is a bottom view thereof;

FIG. 6 is a left side view thereof; and,

FIG. 7 is a right side view thereof.

1 Claim, 5 Drawing Sheets



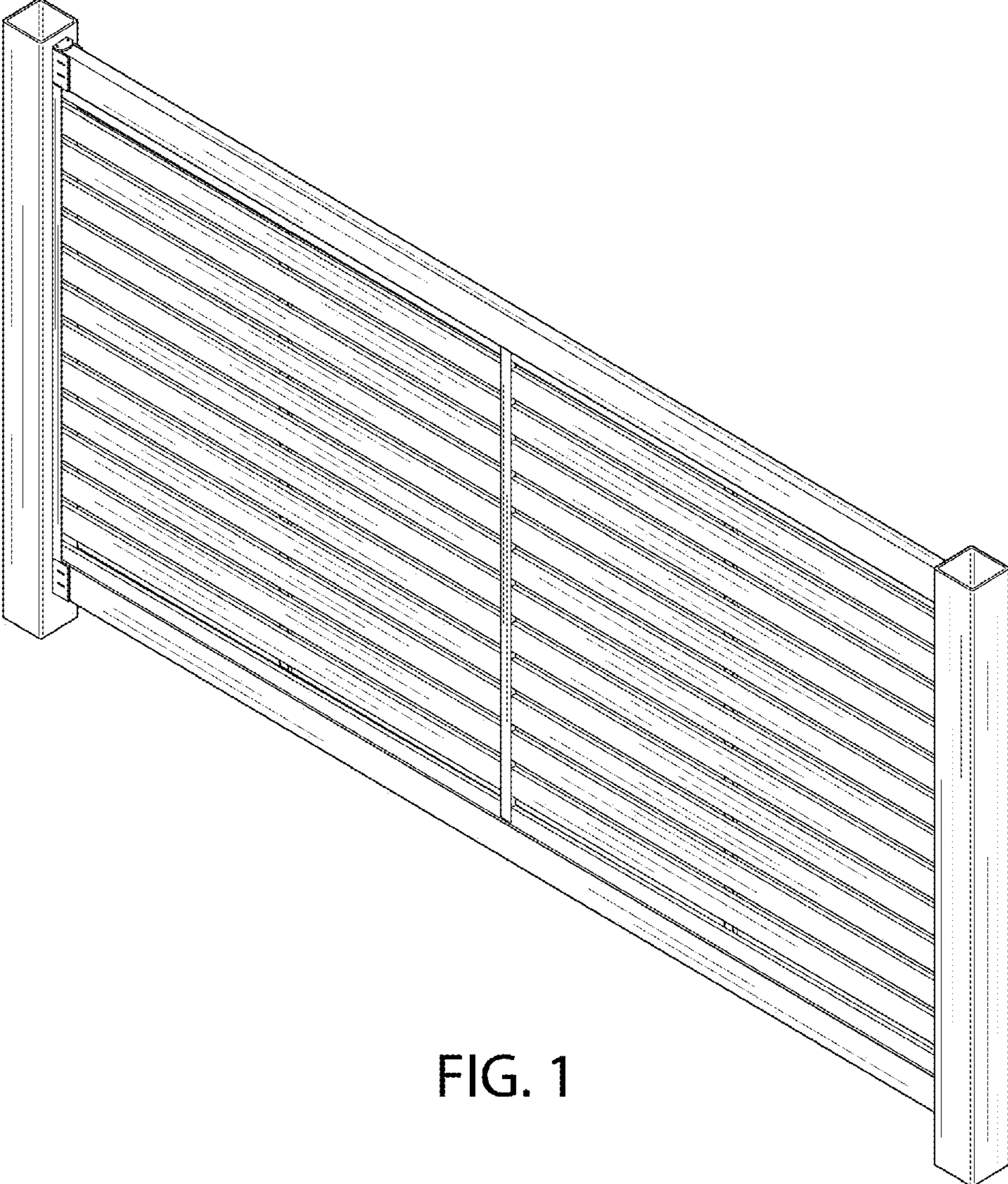


FIG. 1

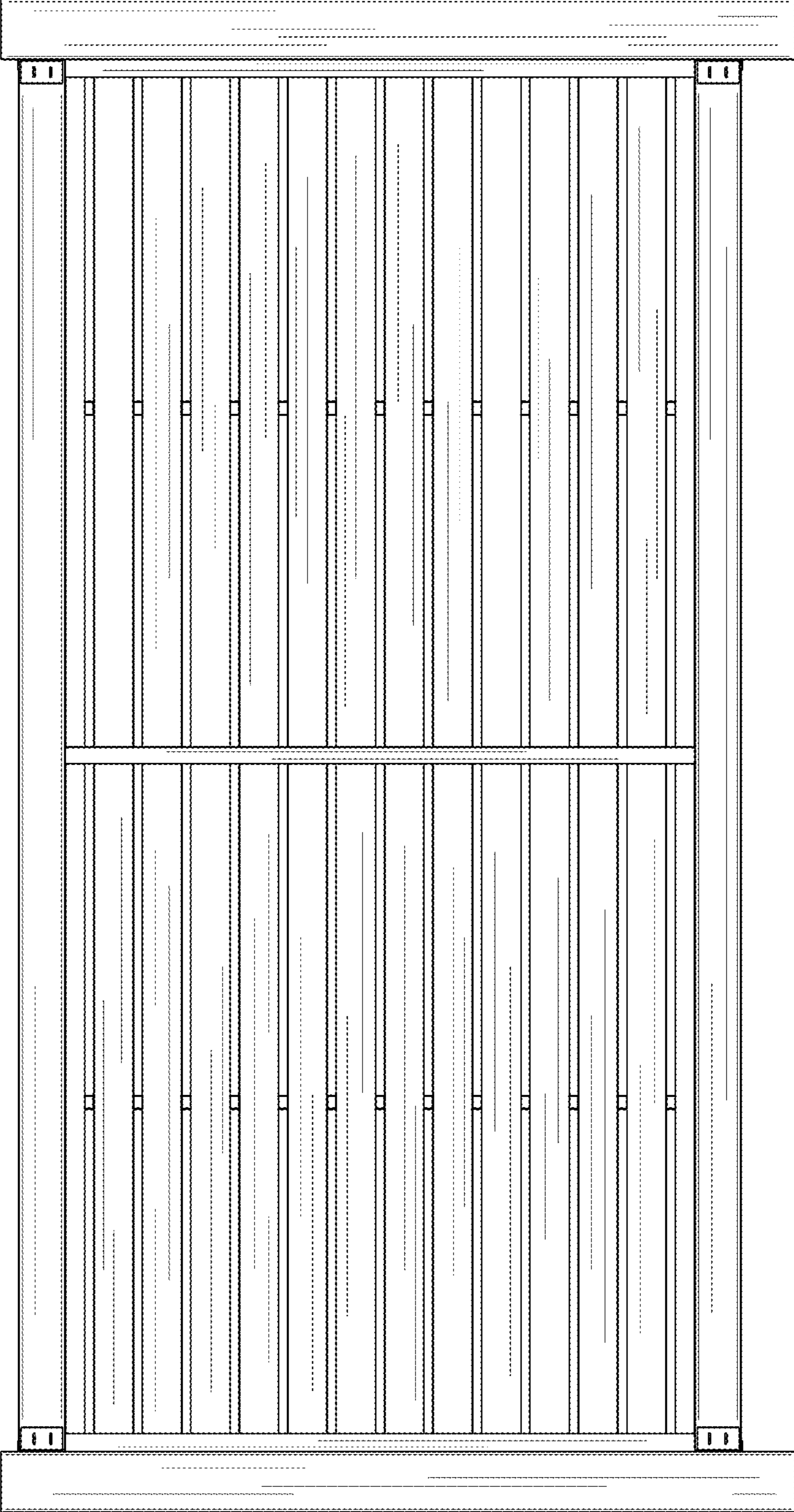


FIG. 2

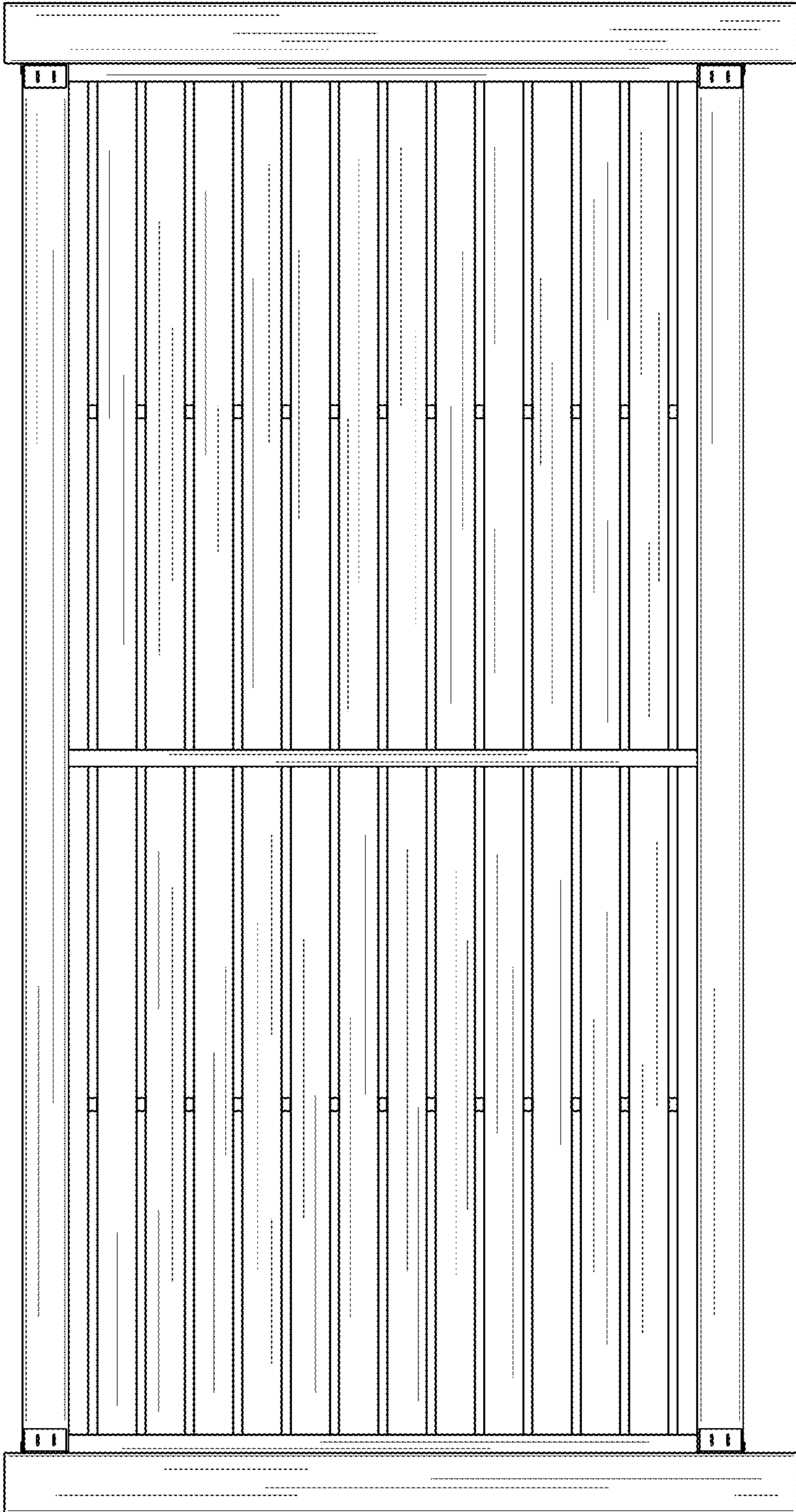


FIG. 3

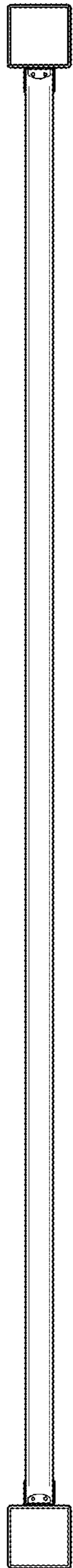


FIG. 4

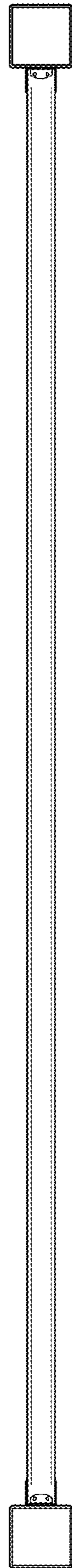


FIG. 5

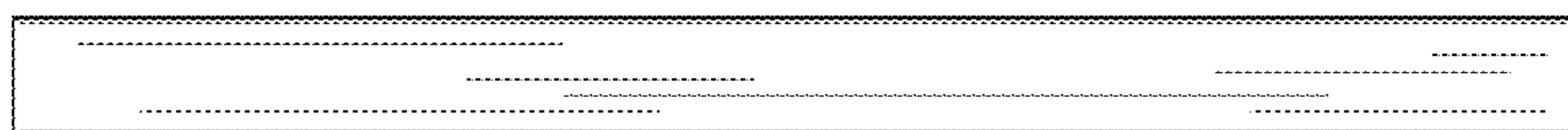


FIG. 7

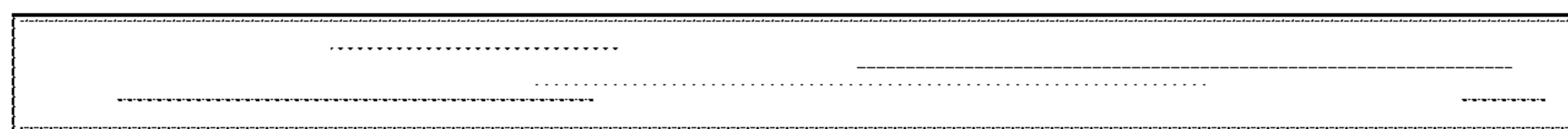


FIG. 6