



US00D738526S

(12) **United States Design Patent**
Huang et al.

(10) **Patent No.:** **US D738,526 S**

(45) **Date of Patent:** **** Sep. 8, 2015**

(54) **SENSOR STRIP**

(71) Applicant: **Bionime Corporation**, Taichung (TW)

(72) Inventors: **Li-Kang Huang**, Taichung (TW);
Chia-Ming Liu, Taichung (TW)

(73) Assignee: **Bionime Corporation**, Taichung (TW)

(**) Term: **14 Years**

(21) Appl. No.: **29/472,388**

(22) Filed: **Nov. 12, 2013**

(51) **LOC (10) Cl.** **24-02**

(52) **U.S. Cl.**
USPC **D24/224**

(58) **Field of Classification Search**
USPC D24/121–122, 186, 216–217, 219,
D24/223–226, 227, 229–231, 232; D10/81;
422/408, 430, 500, 502, 503, 68.1;
436/163, 164, 169
CPC ... B01J 19/0046; G01N 31/221; G01N 31/22;
G01N 21/8483; G01N 21/6428; B01L
2400/0406; B01L 9/54; B01L 2300/0816
See application file for complete search history.

(56) **References Cited**

U.S. PATENT DOCUMENTS

D302,294 S *	7/1989	Hillman	D24/223
D320,269 S *	9/1991	Hammond	D24/225
D328,136 S *	7/1992	Hayakawa	D24/225
D361,129 S *	8/1995	Collins et al.	D24/186
D383,550 S *	9/1997	Larson et al.	D24/216
D391,373 S *	2/1998	Shartle	D24/224
D395,708 S *	6/1998	Shartle et al.	D24/224
D432,244 S *	10/2000	Anderson et al.	D24/223
D456,082 S *	4/2002	Bouse et al.	D24/223
D456,083 S *	4/2002	Clark et al.	D24/225

D456,910 S *	5/2002	Clark et al.	D24/225
D477,670 S *	7/2003	Jurik et al.	D24/225
D512,512 S *	12/2005	Bell et al.	D24/225
D531,321 S *	10/2006	Godfrey et al.	D24/225
D540,953 S *	4/2007	Ramel et al.	D24/224
D621,060 S *	8/2010	Handique	D24/225
D639,977 S *	6/2011	Francis et al.	D24/225
D640,389 S *	6/2011	Francis et al.	D24/225
D655,424 S *	3/2012	Castanon et al.	D24/225
D669,594 S *	10/2012	Cao et al.	D24/216
D672,042 S *	12/2012	Delaey	D24/169
D692,578 S *	10/2013	Kikuhara et al.	D24/216
D702,364 S *	4/2014	Iqbal et al.	D24/225

* cited by examiner

Primary Examiner — T. Chase Nelson

Assistant Examiner — Mark Cavanna

(74) *Attorney, Agent, or Firm* — Whyte Hirschboeck Dudek S.C.

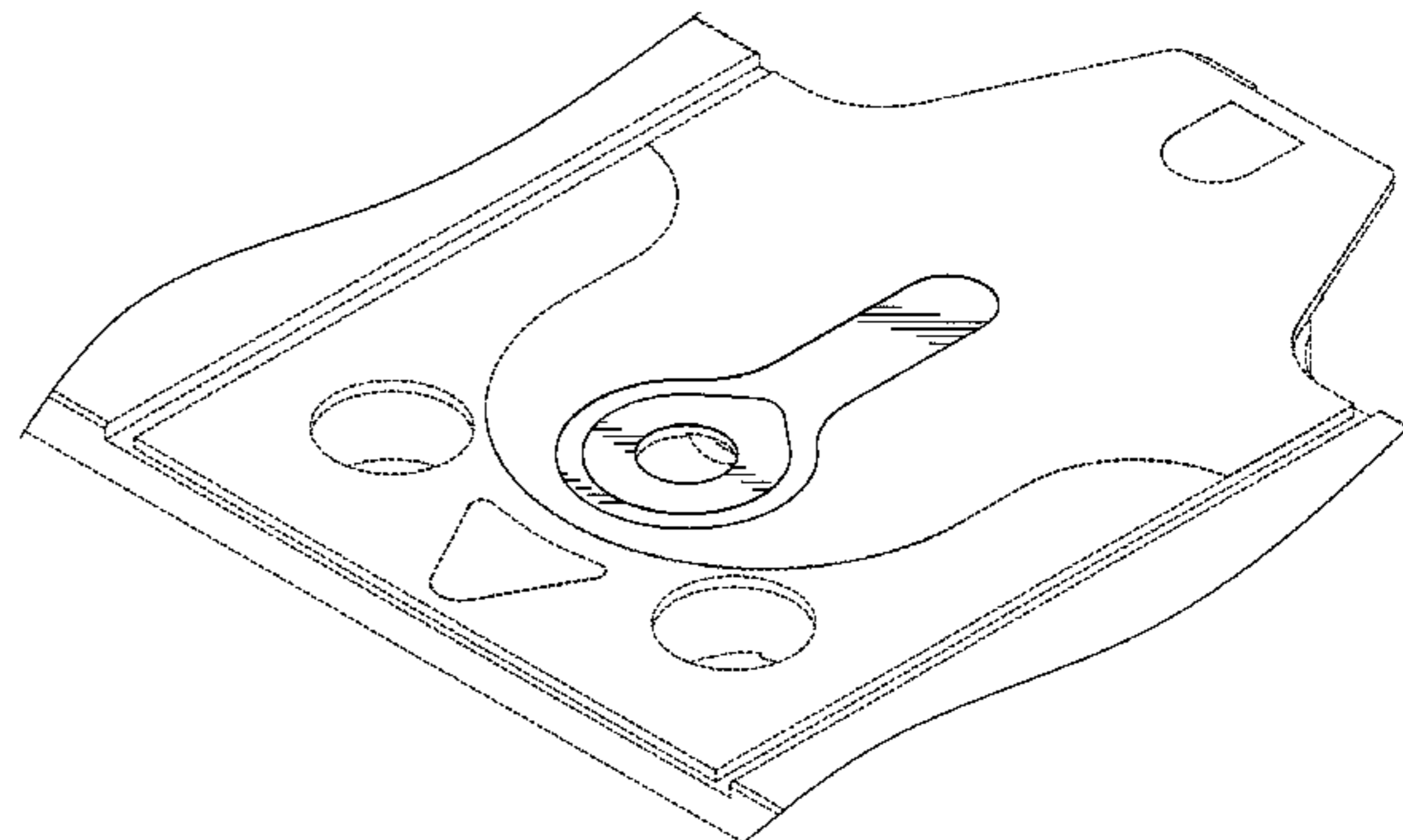
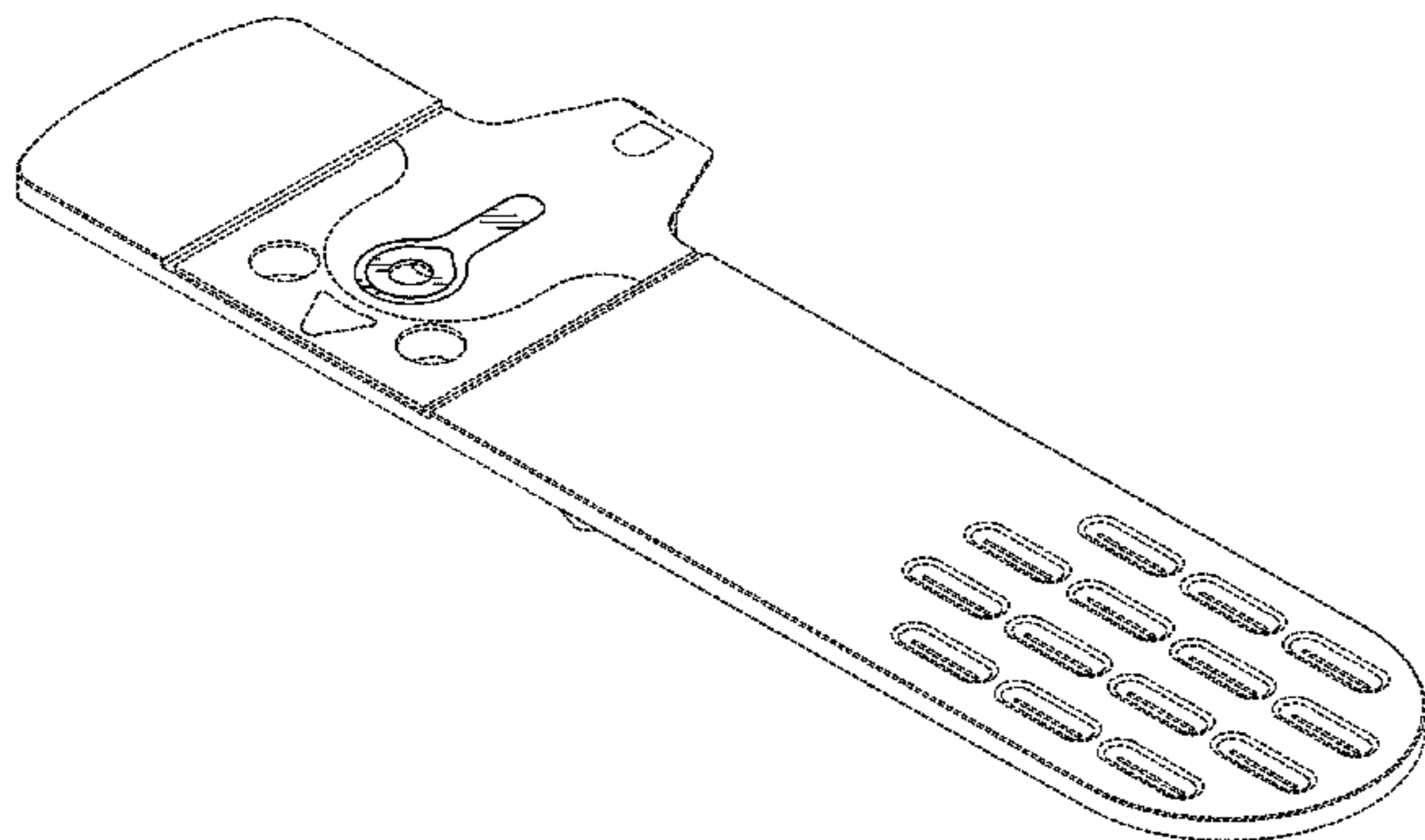
(57) **CLAIM**

The ornamental design for sensor strip, as shown and described.

DESCRIPTION

FIG. 1 is a perspective view of sensor strip showing our new design;
FIG. 2 is a front elevational view thereof;
FIG. 3 is a rear elevational view thereof;
FIG. 4 is a left side elevational view thereof;
FIG. 5 is a right side elevational view thereof;
FIG. 6 is a top plan view thereof;
FIG. 7 is a bottom plan view thereof; and,
FIG. 8 is an enlarged fragmentary perspective view of the design.
The portions shown in dashed lines do not form part of the design.

1 Claim, 6 Drawing Sheets



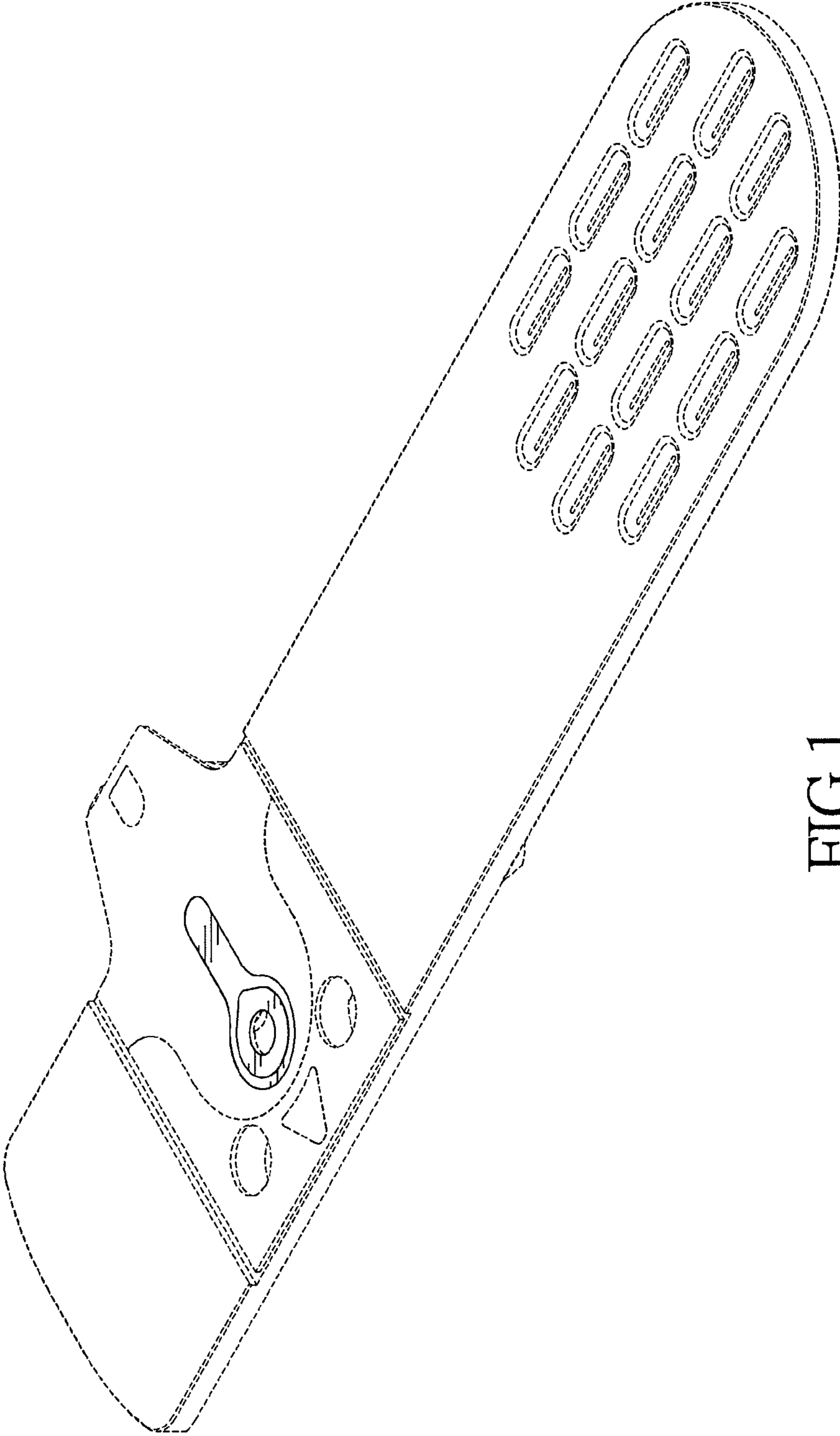


FIG. 1

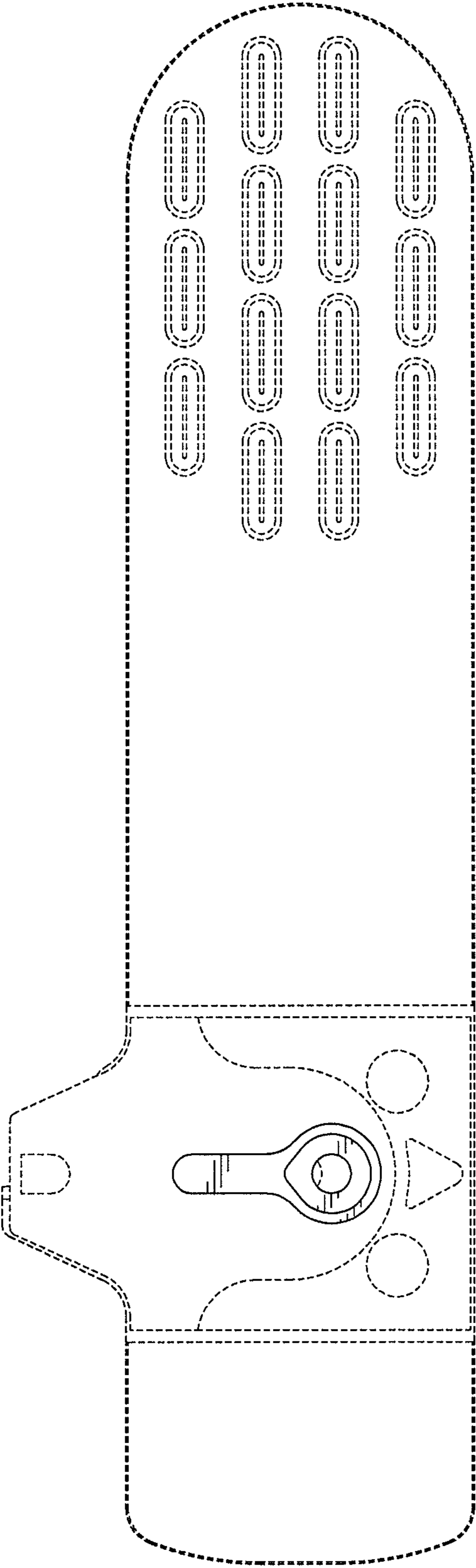


FIG. 2

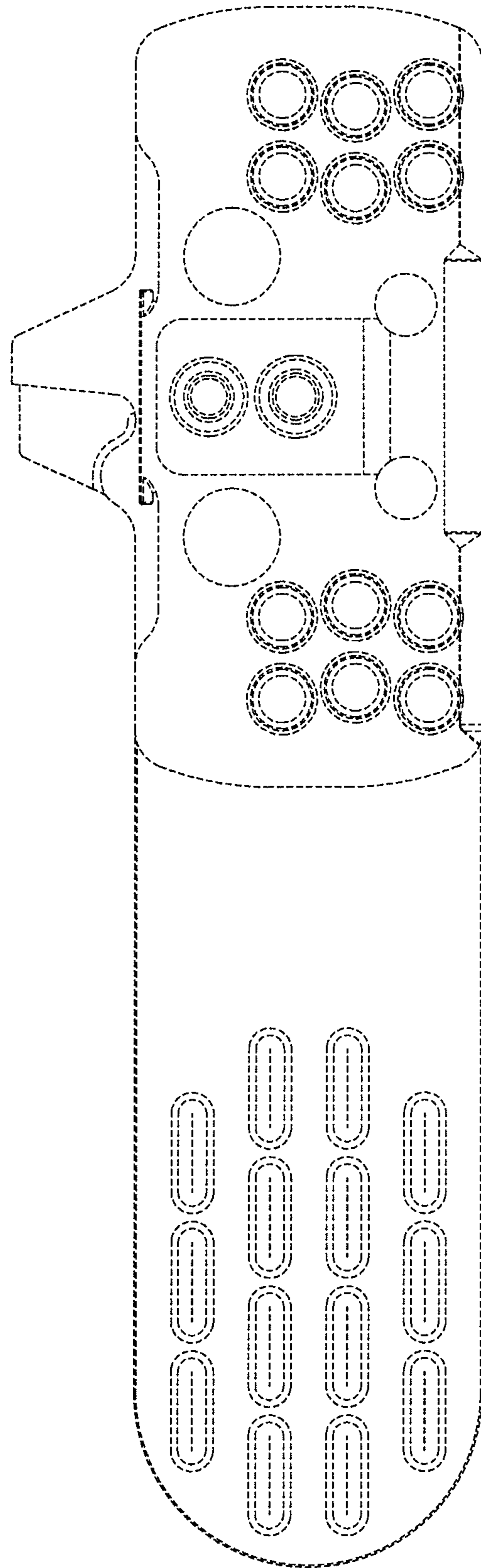


FIG. 3

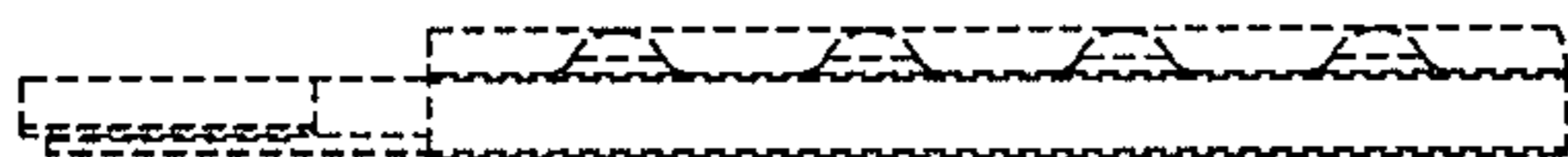


FIG.5

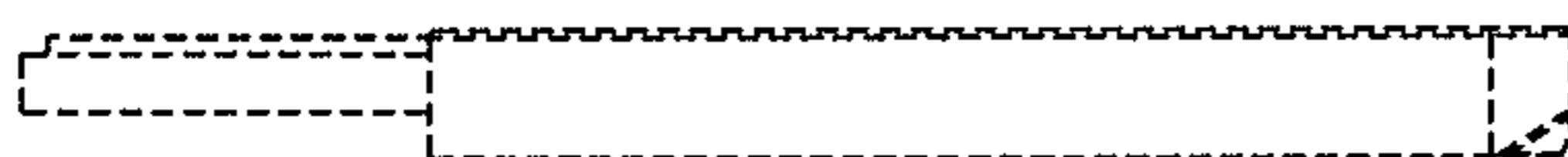


FIG.4

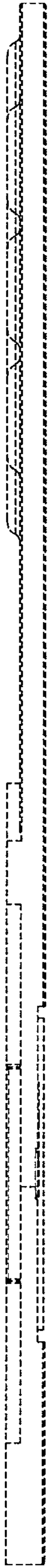


FIG. 6



FIG. 7

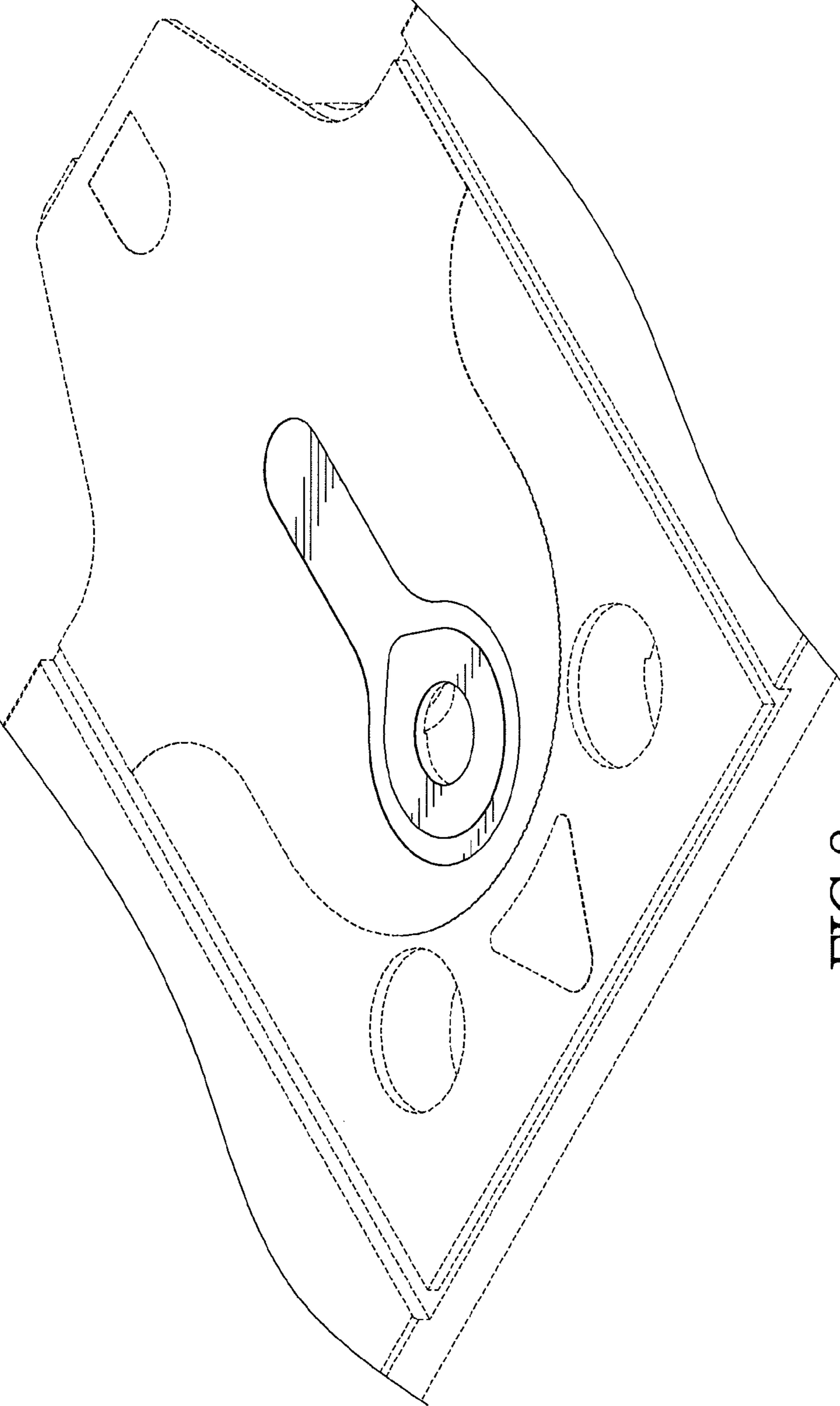


FIG.8