



US00D738525S

(12) **United States Design Patent**  
**Muraoka et al.**

(10) **Patent No.:** **US D738,525 S**  
(45) **Date of Patent:** **\*\* Sep. 8, 2015**

(54) **PRE-PROCESSING MACHINE FOR SAMPLING**

8,043,560 B2 \* 10/2011 Okumoto et al. .... 422/64  
D655,822 S \* 3/2012 Oonuma et al. .... D24/216  
D676,143 S \* 2/2013 Liu et al. .... D24/216

(71) Applicant: **SHIMADZU CORPORATION**, Kyoto (JP)

(Continued)

(72) Inventors: **Hiroshi Muraoka**, Kyoto (JP); **Shin Nakamura**, Shiga (JP); **Nobuhiro Hanafusa**, Kyoto (JP)

FOREIGN PATENT DOCUMENTS

JP D1302325 6/2007  
JP D1302680 6/2007

(73) Assignee: **SHIMADZU CORPORATION**, Kyoto (JP)

*Primary Examiner* — Anhdao Doan

(74) *Attorney, Agent, or Firm* — Jianq Chyun IP Office

(\*\*) Term: **14 Years**

(57) **CLAIM**

The ornamental design for a pre-processing machine for sampling, as shown and described.

(21) Appl. No.: **29/512,984**

**DESCRIPTION**

(22) Filed: **Dec. 24, 2014**

(30) **Foreign Application Priority Data**

Sep. 3, 2014 (JP) ..... 2014-019351

(51) **LOC (10) Cl.** ..... **24-01**

(52) **U.S. Cl.**  
USPC ..... **D24/216**

(58) **Field of Classification Search**  
USPC ..... D24/216, 223–225, 231, 232, 186, 107;  
D10/81; 436/43, 45, 47; 422/500, 547,  
422/62–65, 67; 435/287.1, 287.3  
CPC ..... G01N 1/28; G01N 33/50; G01N 35/025  
See application file for complete search history.

FIG. 1 is a perspective view of a pre-processing machine for sampling showing our new design;  
FIG. 2 is another perspective view thereof;  
FIG. 3 is a front view thereof;  
FIG. 4 is a rear view thereof;  
FIG. 5 is a left side view thereof;  
FIG. 6 is a right side view thereof;  
FIG. 7 is a top view thereof;  
FIG. 8 is a bottom view thereof;  
FIG. 9 is a perspective view thereof, shown in use state;  
FIG. 10 is another perspective view thereof, shown in use state;  
FIG. 11 is a front view thereof, shown in use state;  
FIG. 12 is a rear view thereof, shown in use state;  
FIG. 13 is a left side view thereof, shown in use state;  
FIG. 14 is a right side view thereof, shown in use state;  
FIG. 15 is a top view thereof, shown in use state; and,  
FIG. 16 is a bottom view thereof, shown in use state.

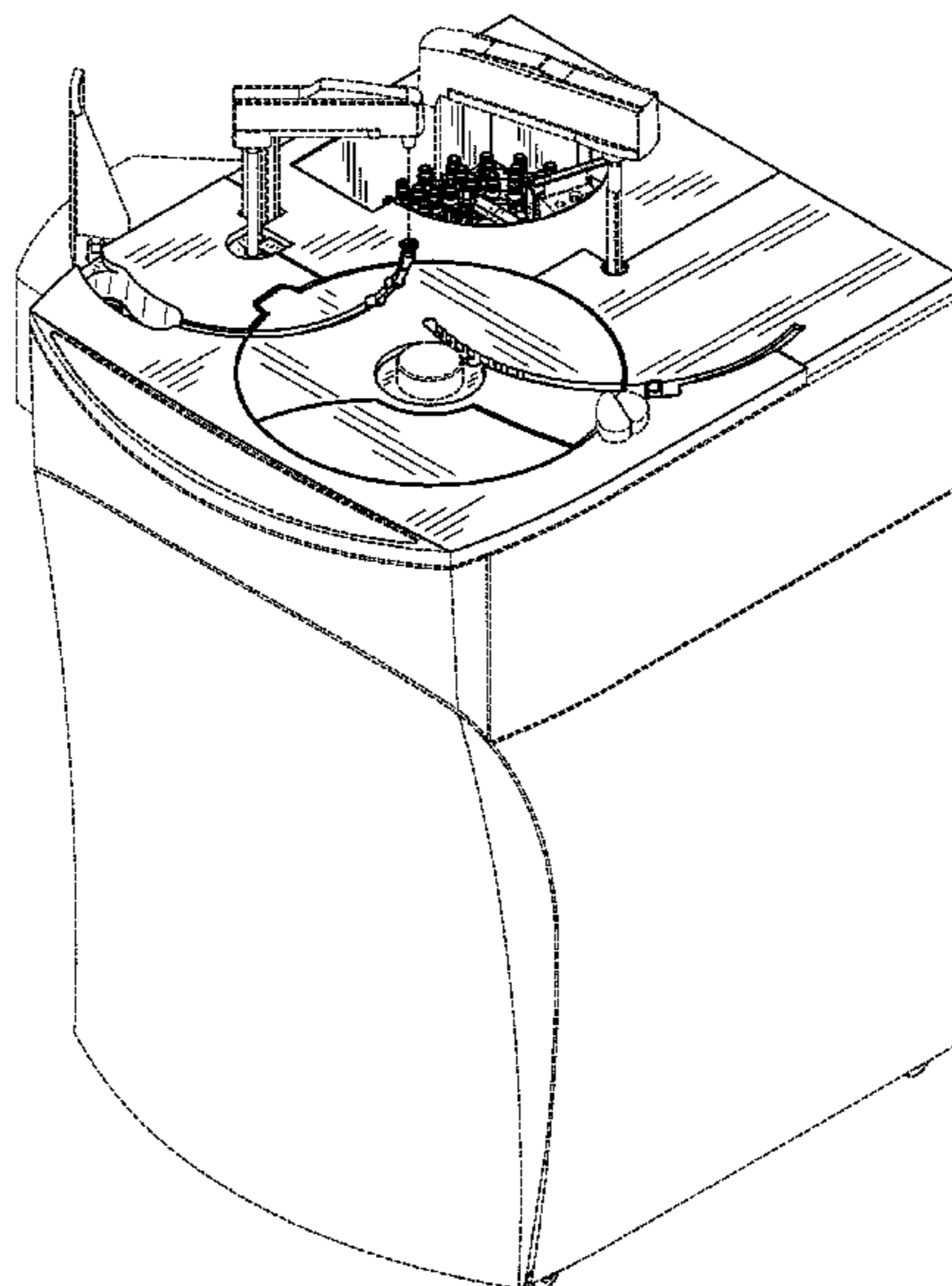
(56) **References Cited**

U.S. PATENT DOCUMENTS

4,844,887 A \* 7/1989 Galle et al. .... 422/65  
5,863,506 A \* 1/1999 Farren ..... 422/547  
6,149,818 A \* 11/2000 Nakamura et al. .... 210/656  
D560,131 S \* 1/2008 Hu ..... D10/81

The broken lines in the drawing show unclaimed environment only and form no part of the claimed design.

**1 Claim, 16 Drawing Sheets**



# US D738,525 S

Page 2

---

(56)

## References Cited

### U.S. PATENT DOCUMENTS

D685,919 S *	7/2013	Lee et al. ....	D24/216	2002/0025275 A1*	2/2002	Oonuma et al. ....	422/64
8,759,106 B2 *	6/2014	Ravalico et al. ....	436/50	2010/0210019 A1*	8/2010	Kurono et al. ....	422/67
D716,469 S *	10/2014	Muraoka et al. ....	D24/216	2014/0199772 A1*	7/2014	Kiss et al. ....	422/63

\* cited by examiner

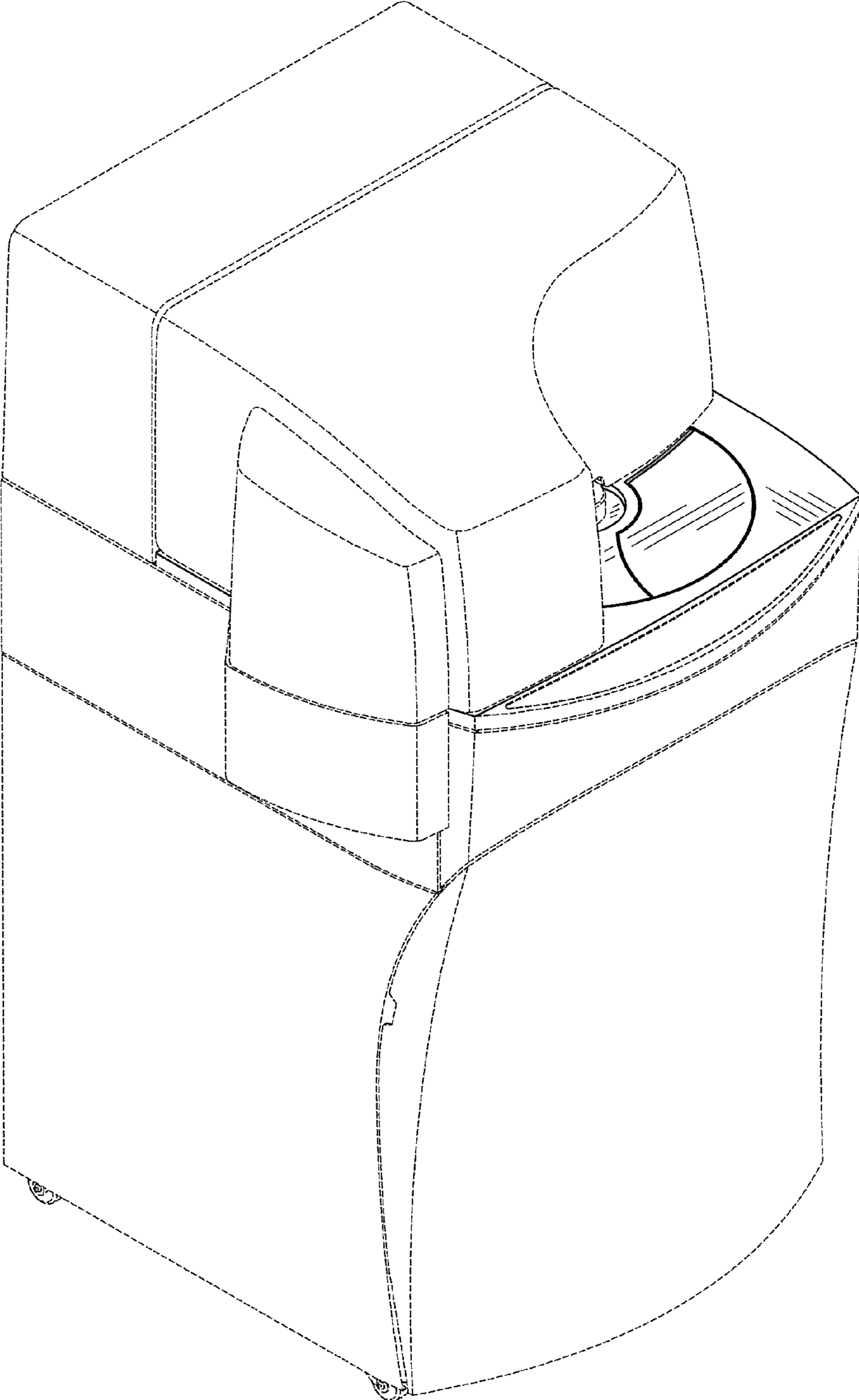


FIG. 1

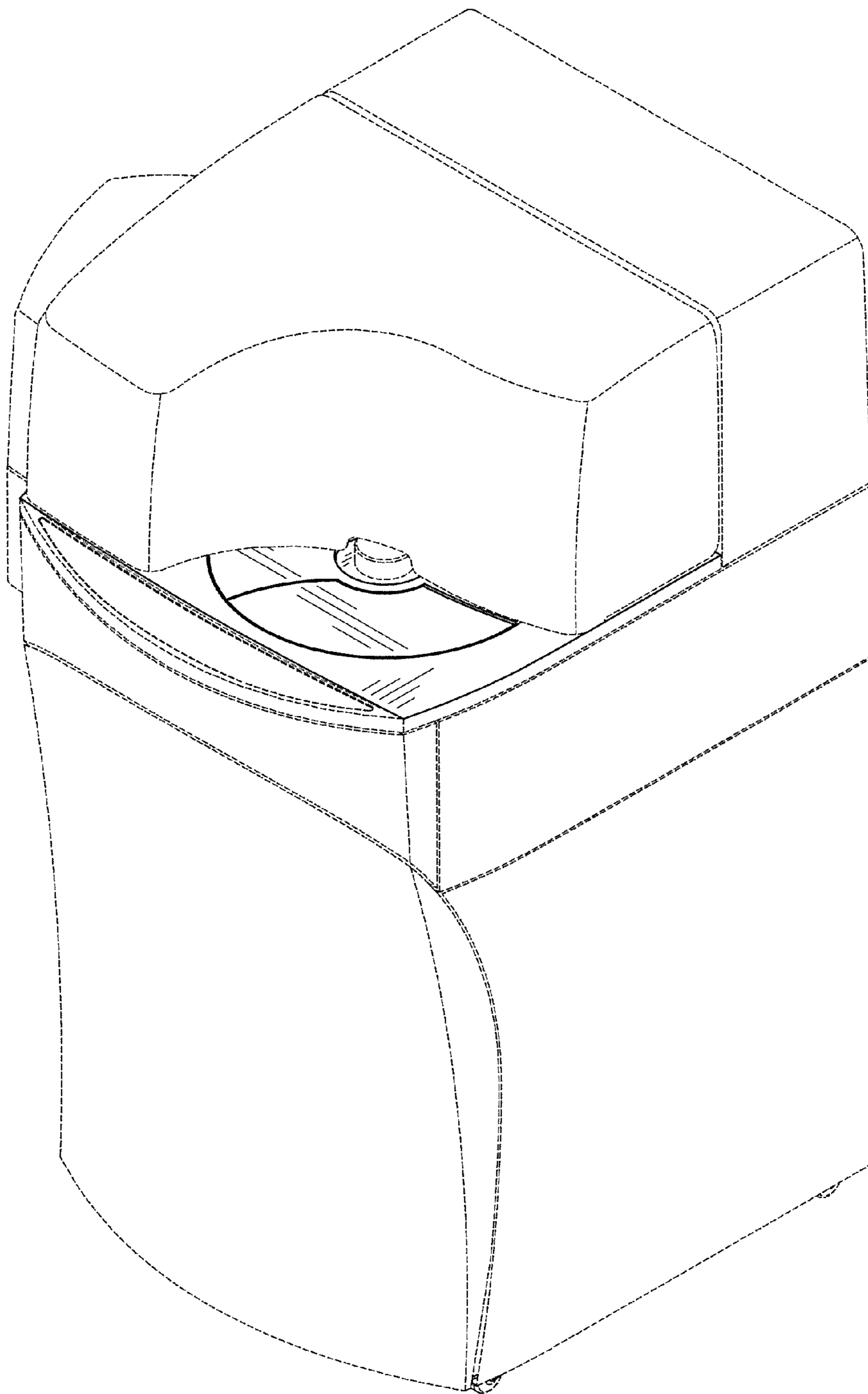


FIG. 2

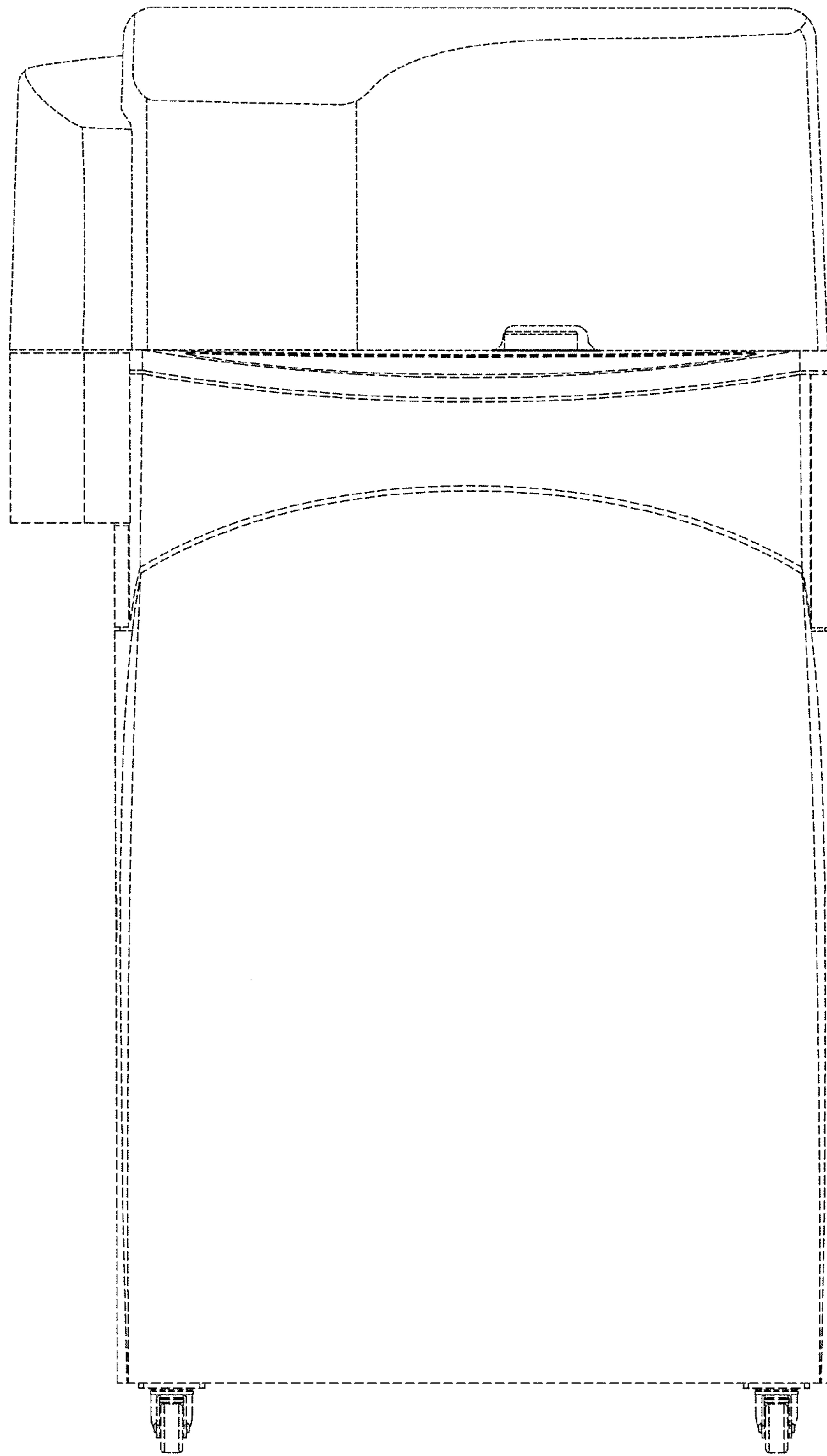


FIG. 3

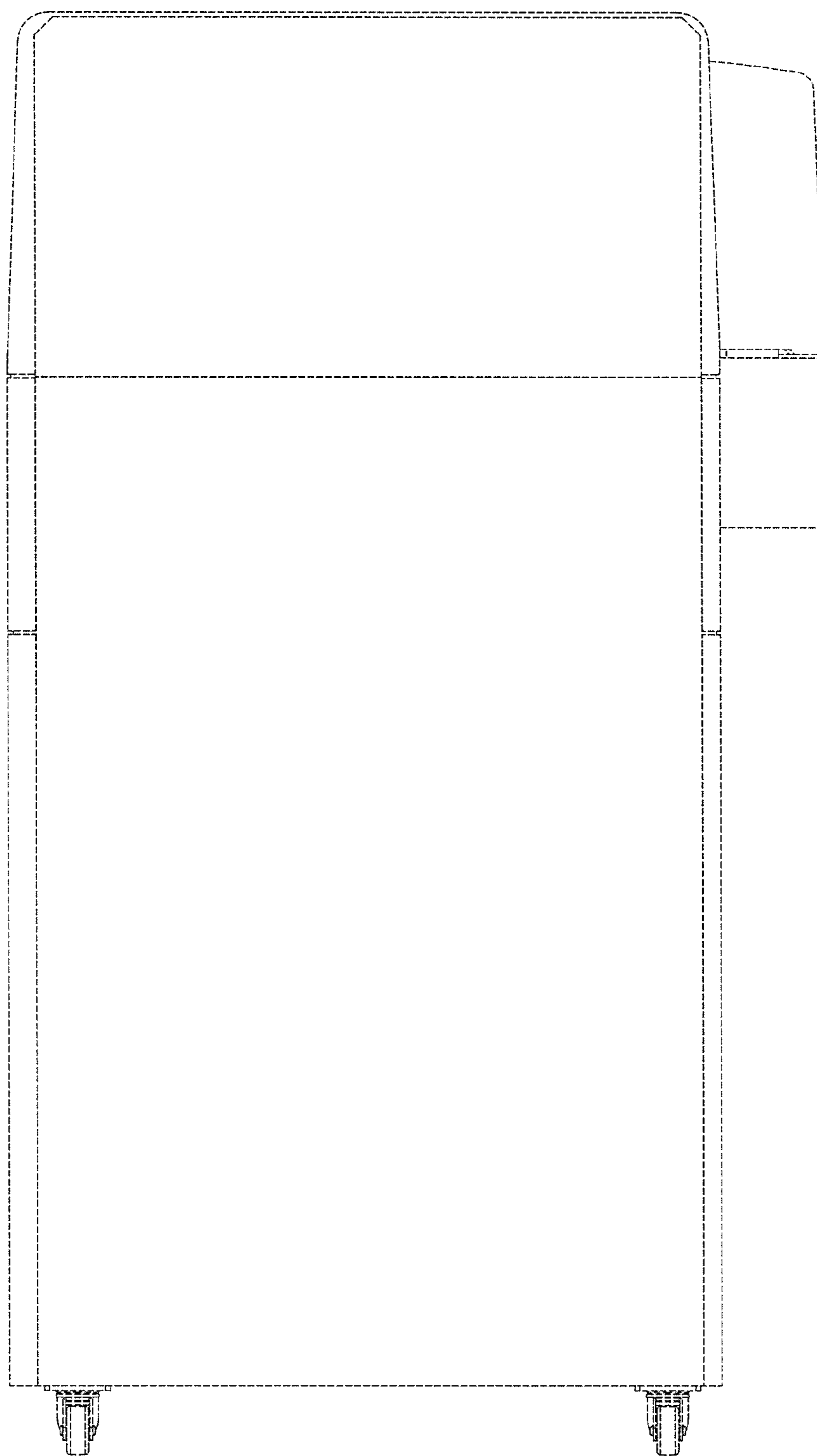


FIG. 4

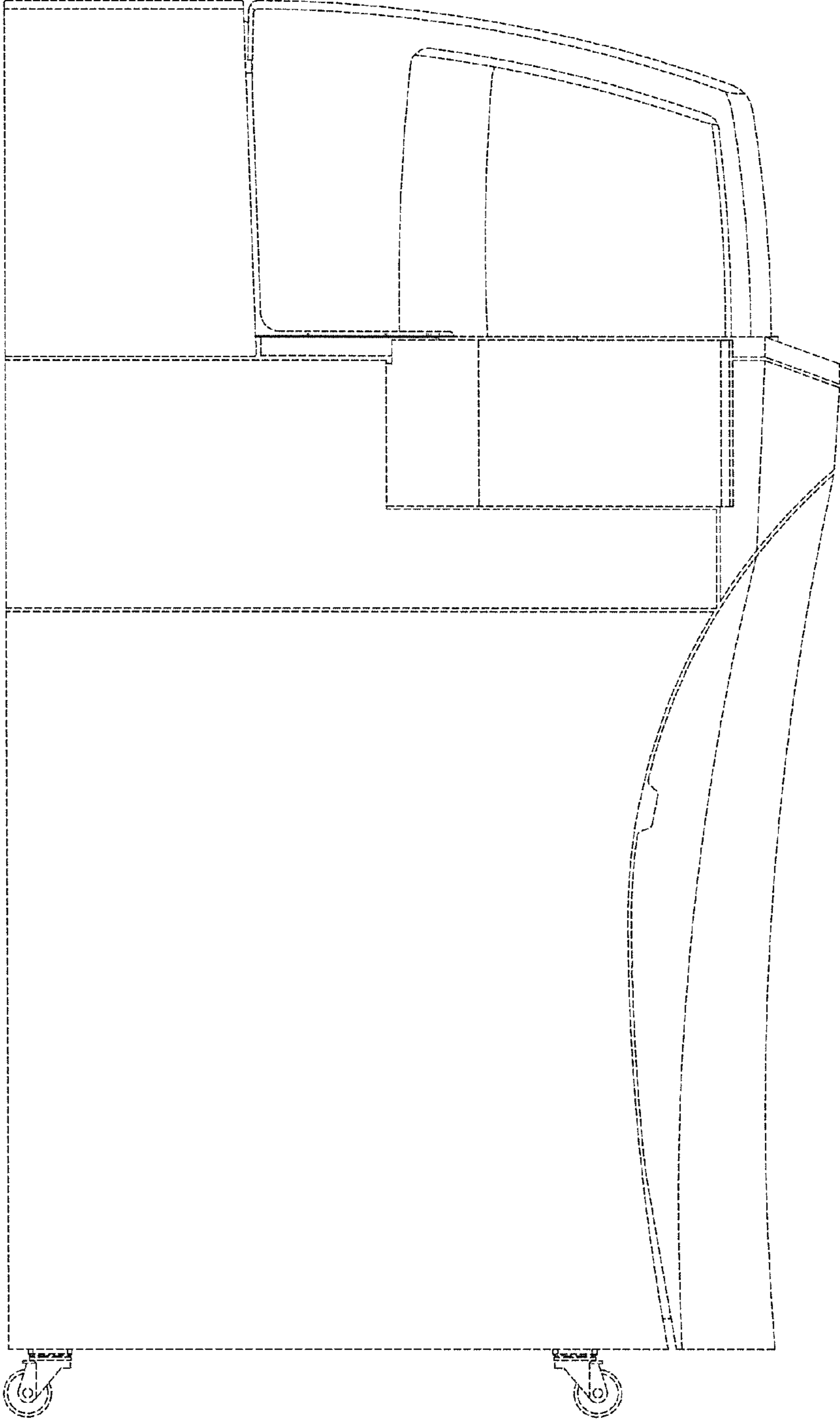


FIG. 5

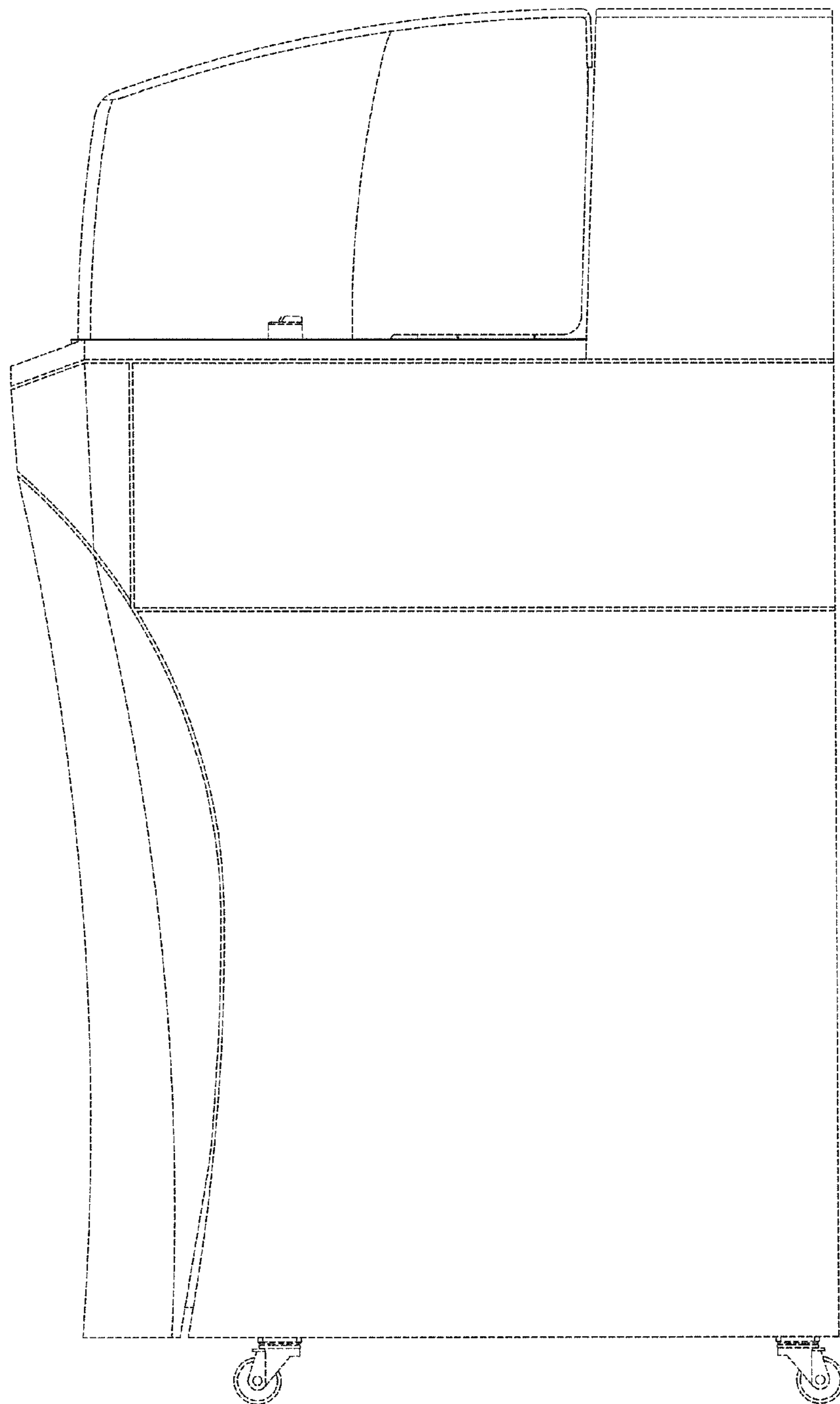


FIG. 6



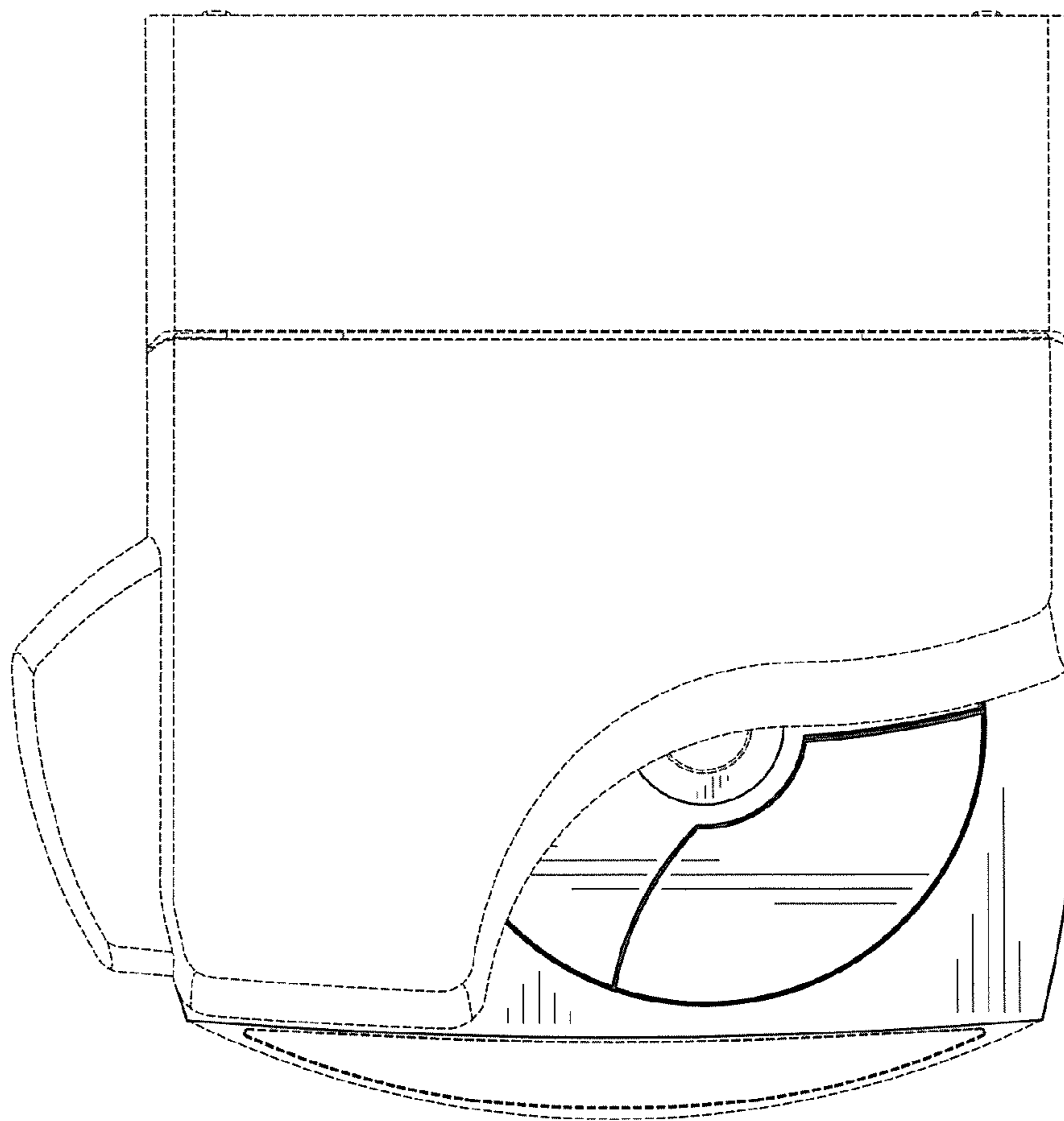


FIG. 7

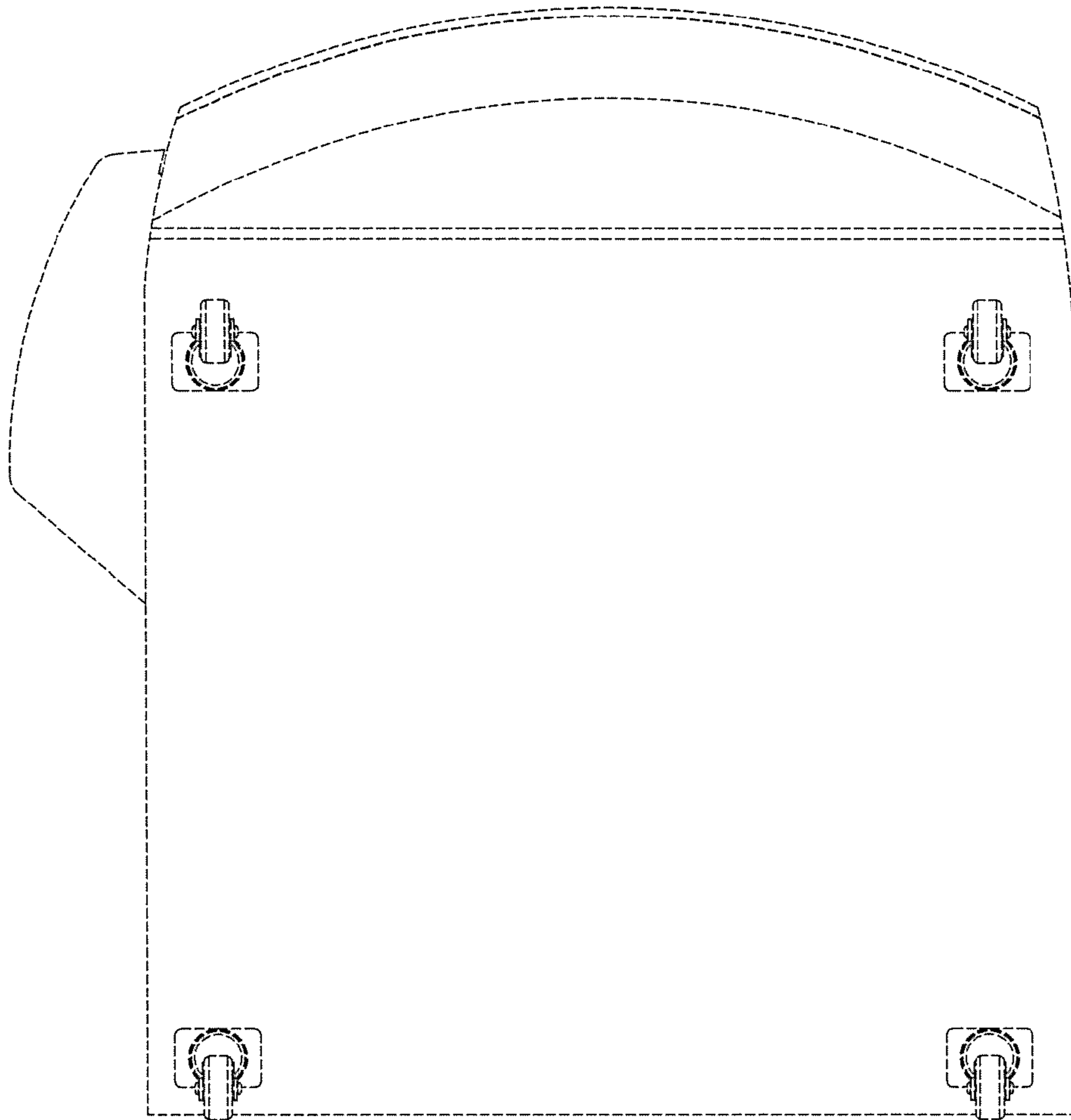


FIG. 8

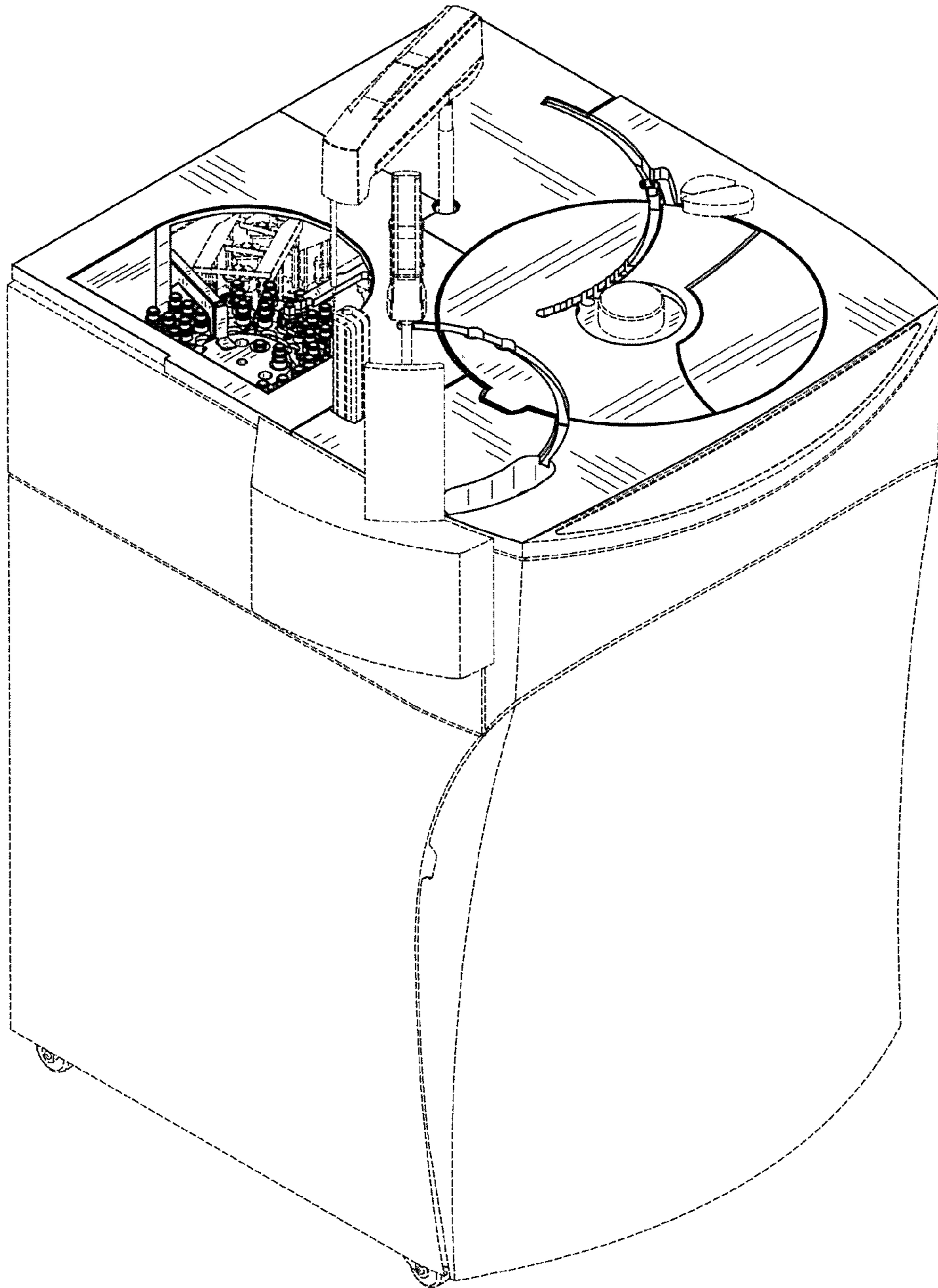


FIG. 9

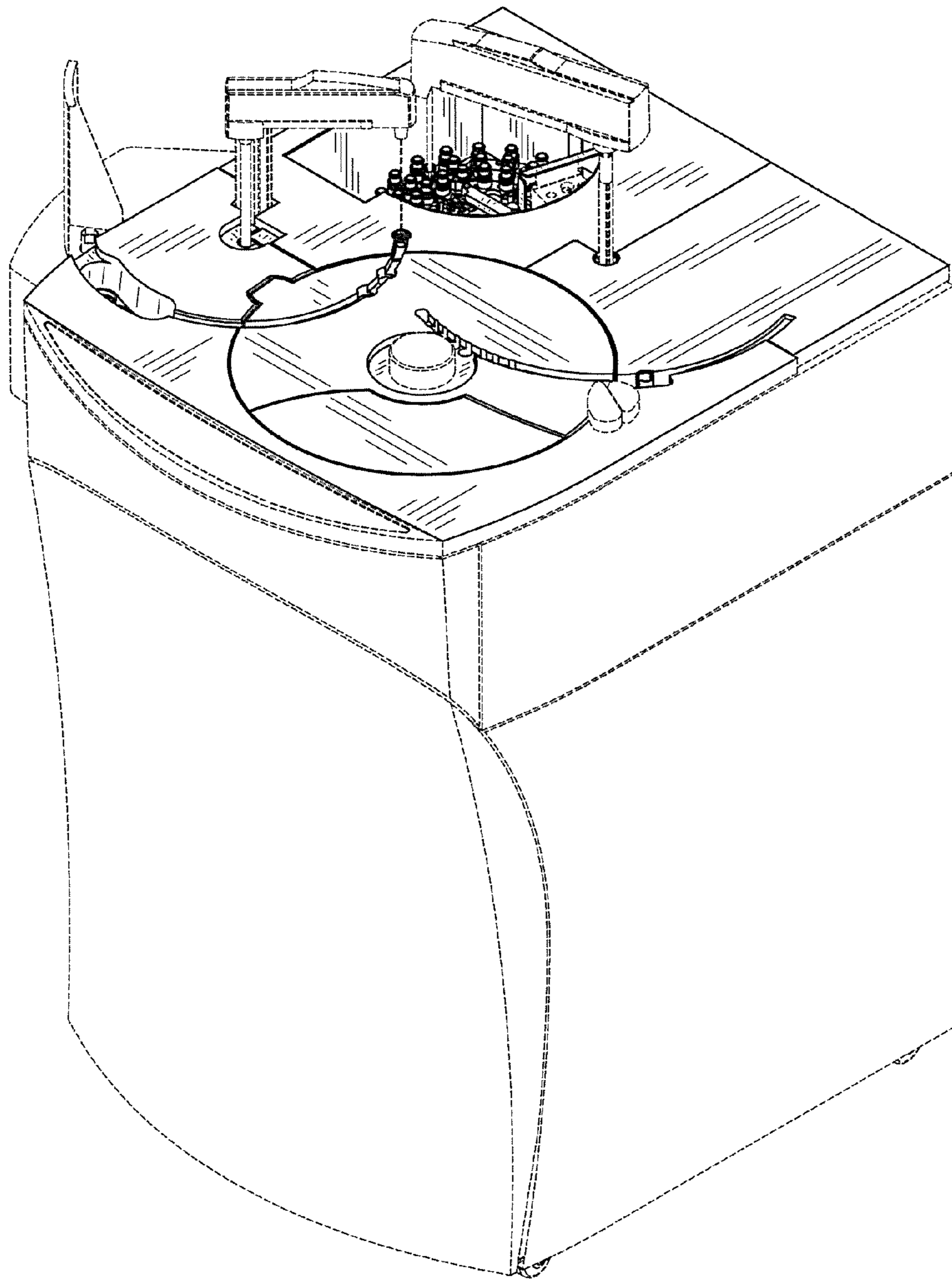


FIG. 10

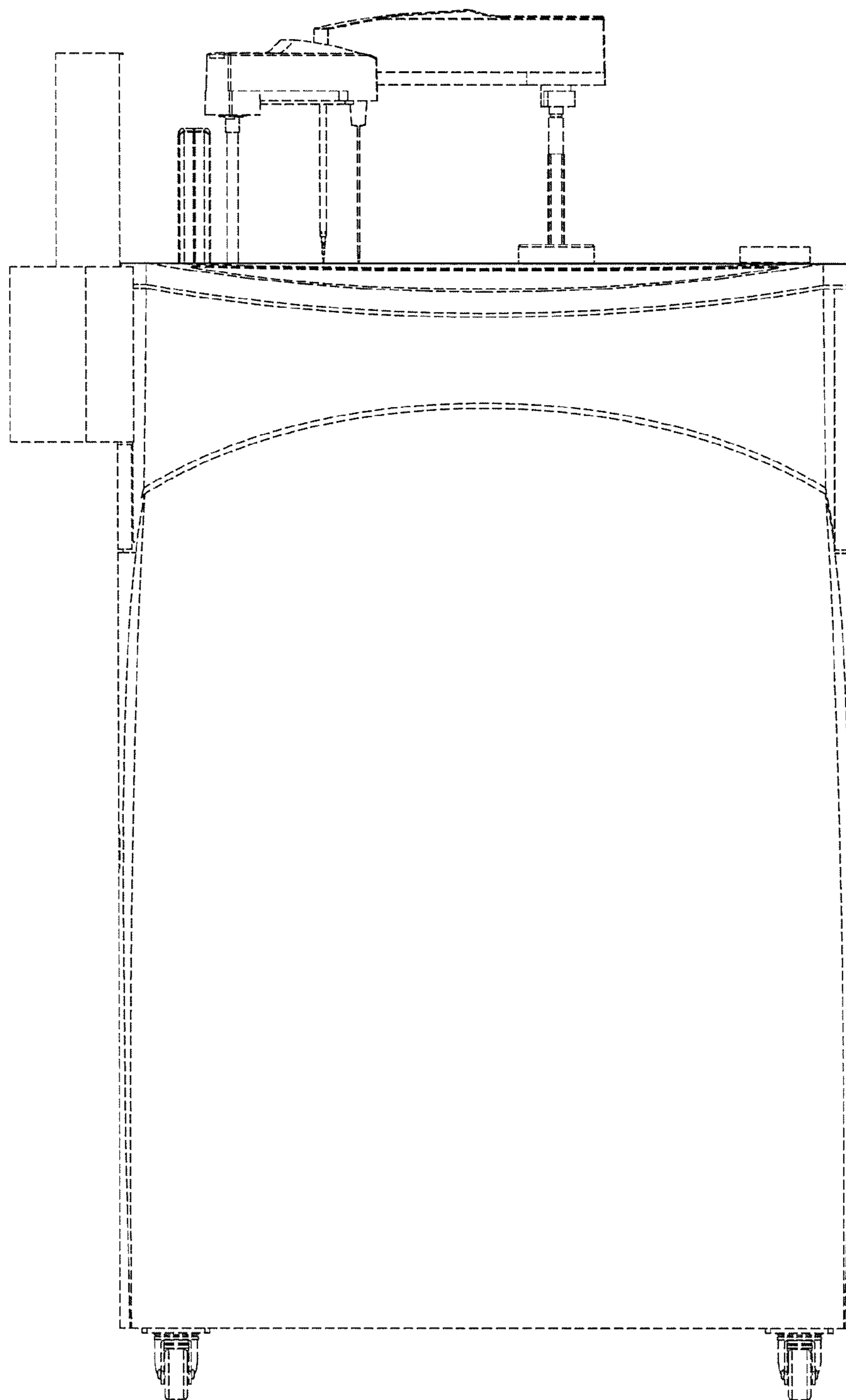


FIG. 11

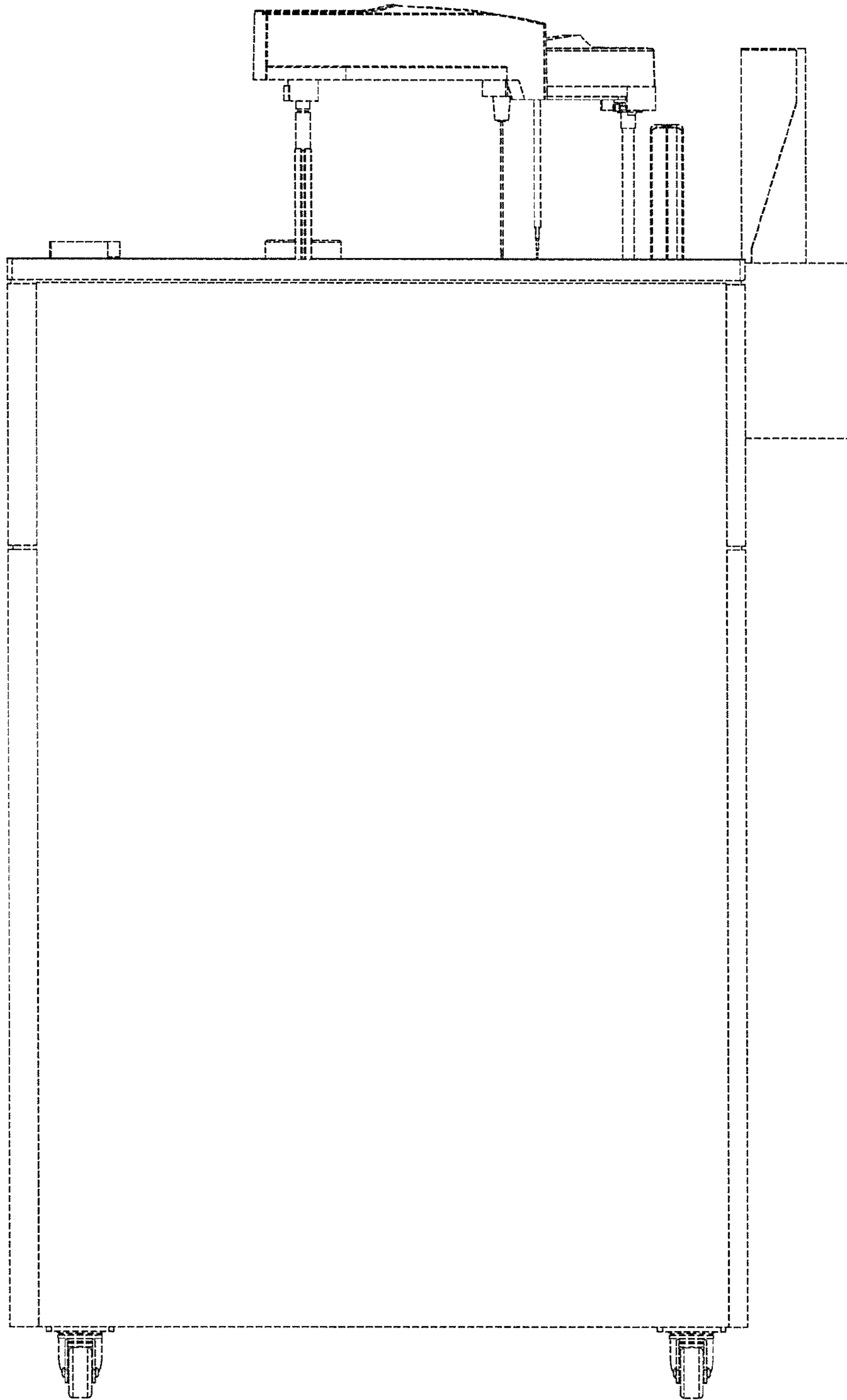


FIG. 12

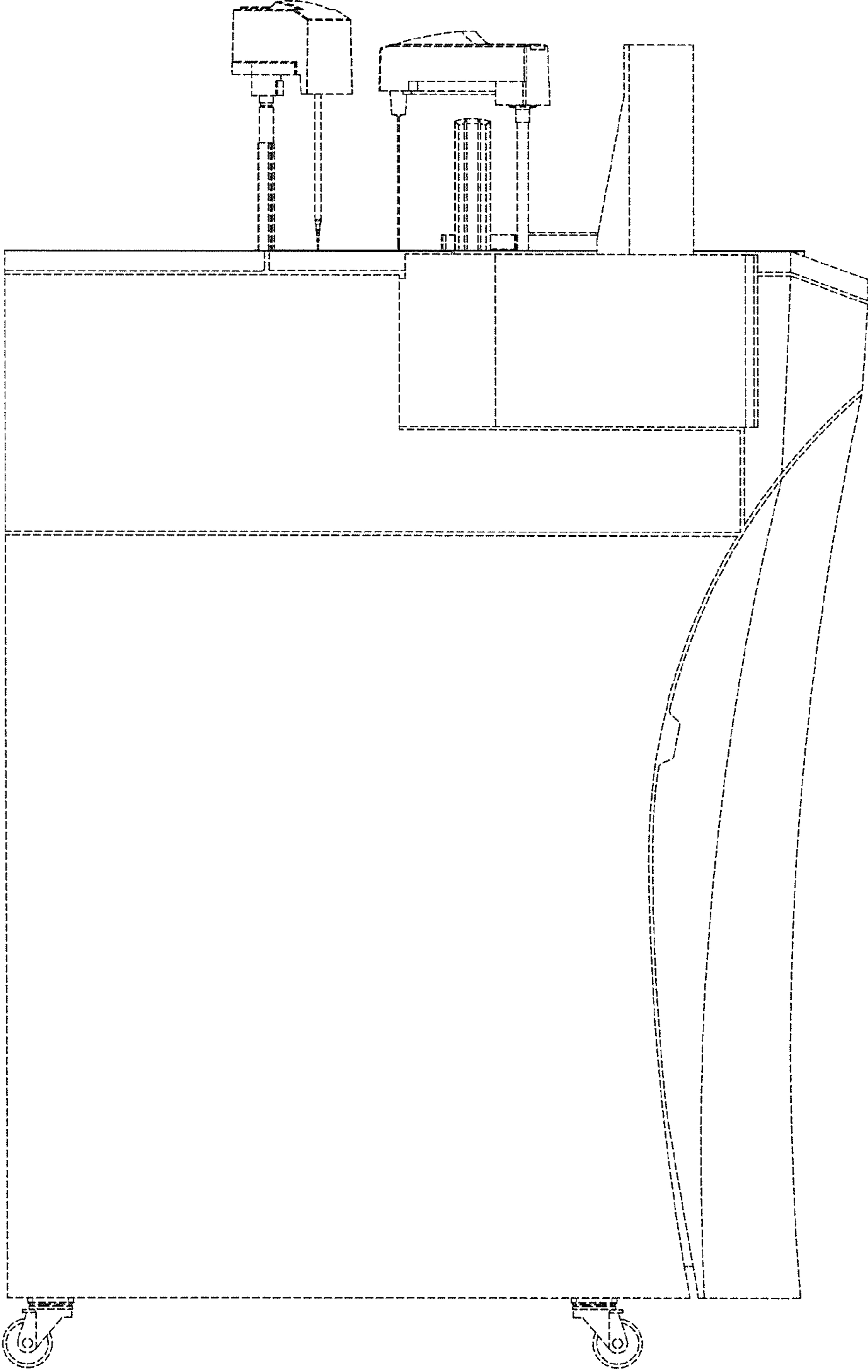


FIG. 13

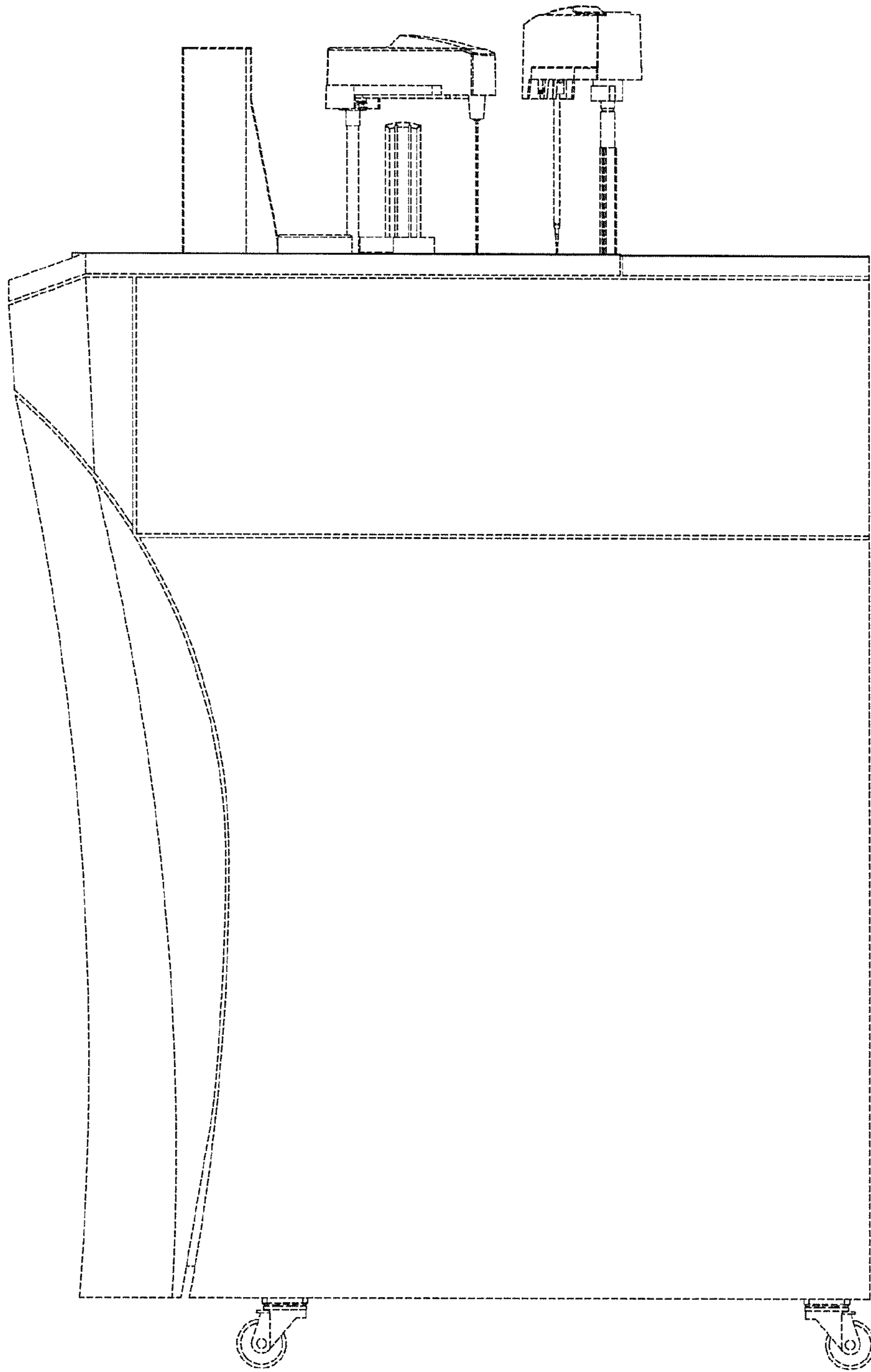


FIG. 14



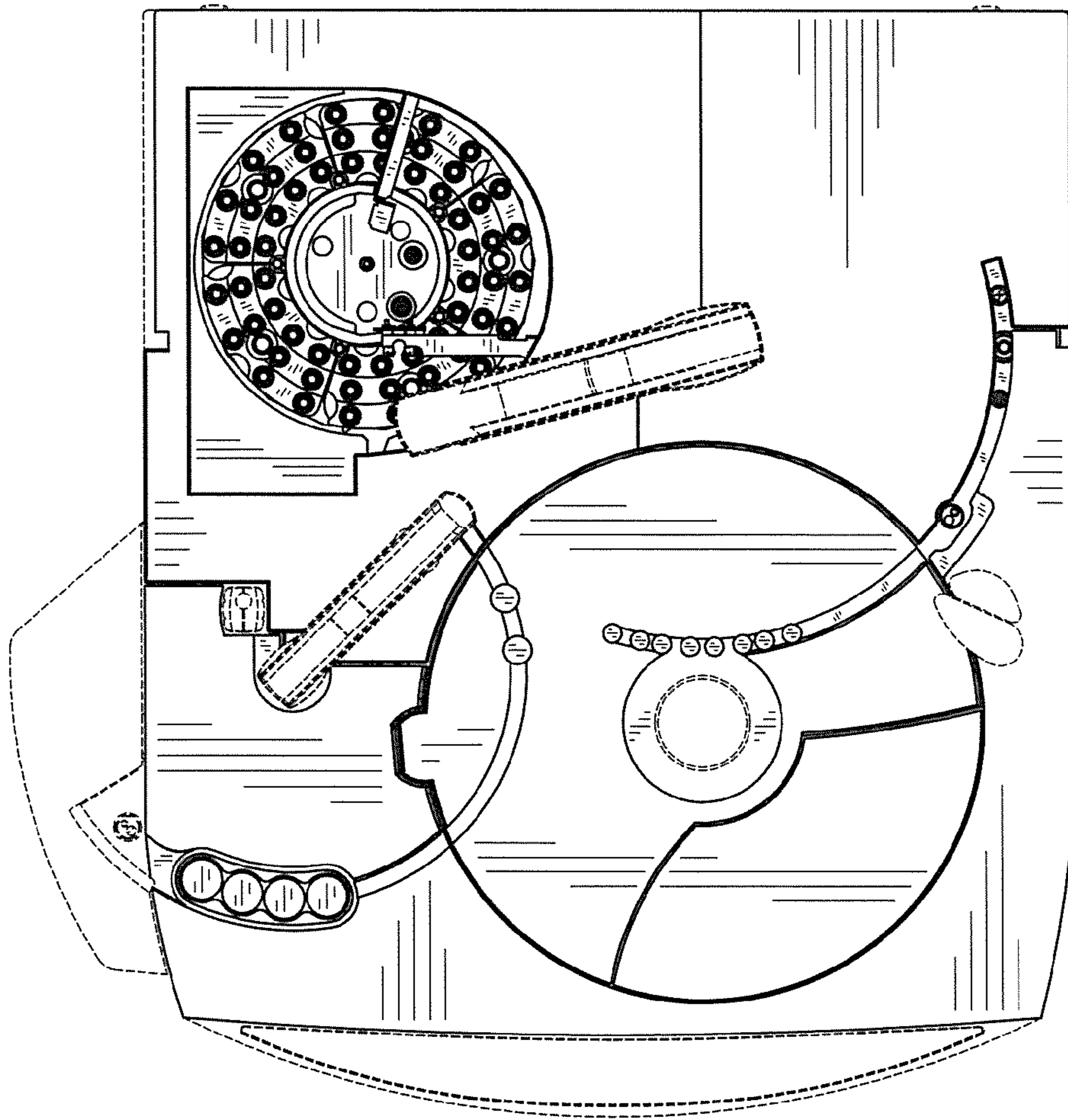


FIG. 15

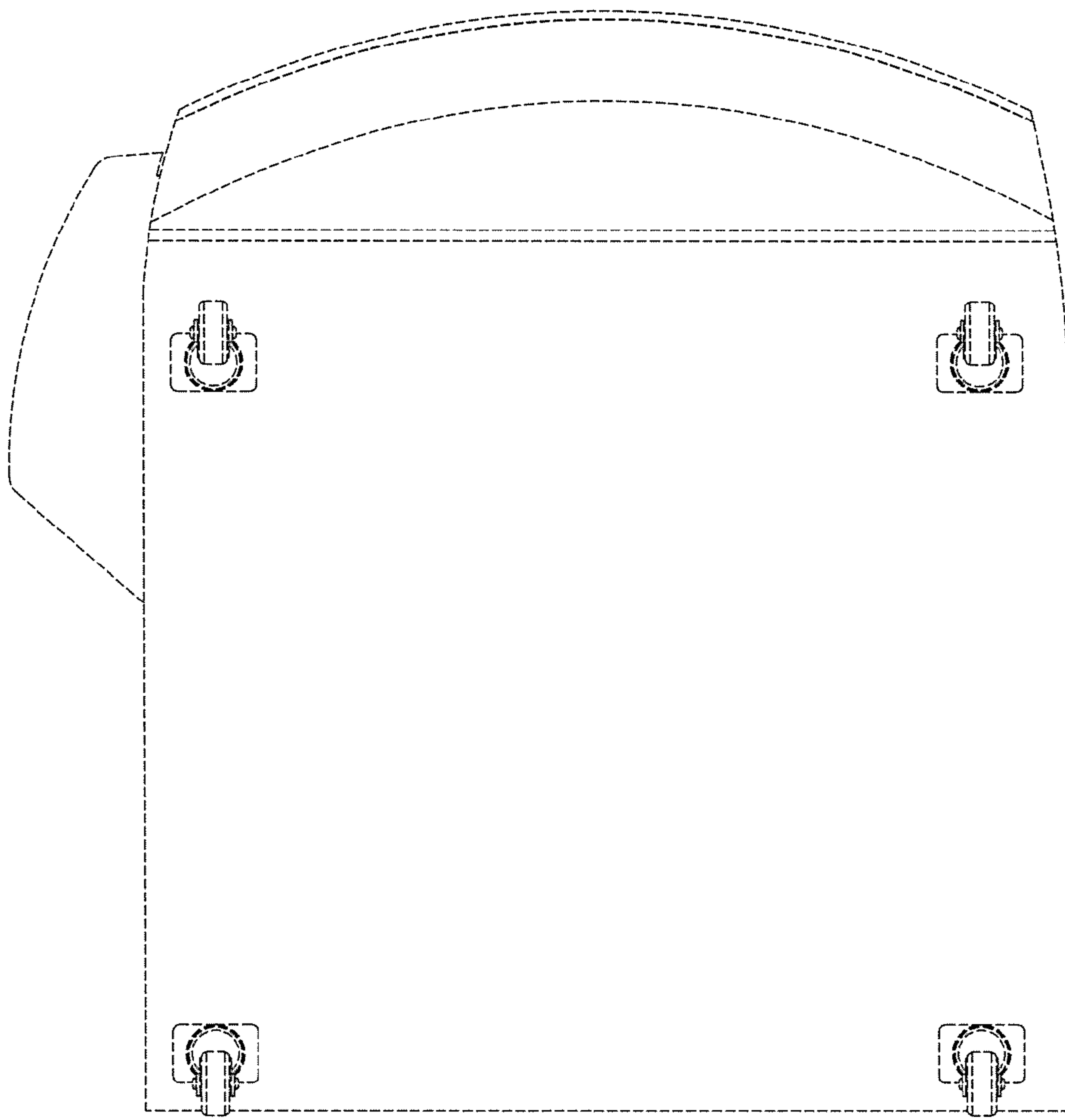


FIG. 16