



US00D738523S

(12) **United States Design Patent**
Tong

(10) **Patent No.:** **US D738,523 S**
(45) **Date of Patent:** **** Sep. 8, 2015**

- (54) **MALE MASTURBATOR**
- (71) Applicant: **SHENZHEN FREE INTERACTIVE INC.**, Shenzhen, Guangdong (CN)
- (72) Inventor: **Lixin Tong**, Shenzhen (CN)
- (73) Assignee: **SHENZHEN FREE INTERACTIVE INC.**, Shenzhen (CN)
- (**) Term: **14 Years**
- (21) Appl. No.: **29/515,629**
- (22) Filed: **Jan. 26, 2015**
- (51) **LOC (10) Cl.** **28-03**
- (52) **U.S. Cl.**
USPC **D24/215**
- (58) **Field of Classification Search**
USPC D24/200, 211, 212, 213, 214, 215;
601/19, 27-32, 46, 49, 52, DIG. 12,
601/DIG. 14, DIG. 15, DIG. 16, DIG. 17, 48
CPC . A61H 1/0153; A61H 1/0207; A61H 1/0263;
A61H 1/0111; A61H 1/1253; A61H 2205/082;
A61H 2205/085; A61H 15/0085; A61H 19/00;
A61H 19/30; A61H 19/32; A61H 19/40;
A61H 19/44; A61H 19/50
See application file for complete search history.

D303,838 S *	10/1989	Lien-Fui	D24/214
D390,966 S *	2/1998	Huang	D24/211
D454,959 S *	3/2002	Harris et al.	D24/215
D485,910 S *	1/2004	Chan	D24/215
D488,232 S *	4/2004	Nan	D24/215
D539,433 S *	3/2007	Lui	D24/215
D630,761 S *	1/2011	Marshall	D24/215
D638,134 S *	5/2011	Nikitezuk et al.	D24/215
D652,527 S *	1/2012	Marshall	D24/215
D666,733 S *	9/2012	Caggiano et al.	D24/215
D688,382 S *	8/2013	Marshall	D24/215
D695,414 S *	12/2013	Matsuura	D24/215
2002/0065477 A1 *	5/2002	Boyd et al.	601/47
2005/0033112 A1 *	2/2005	Bruton et al.	600/38

* cited by examiner

Primary Examiner — Sandra Snapp

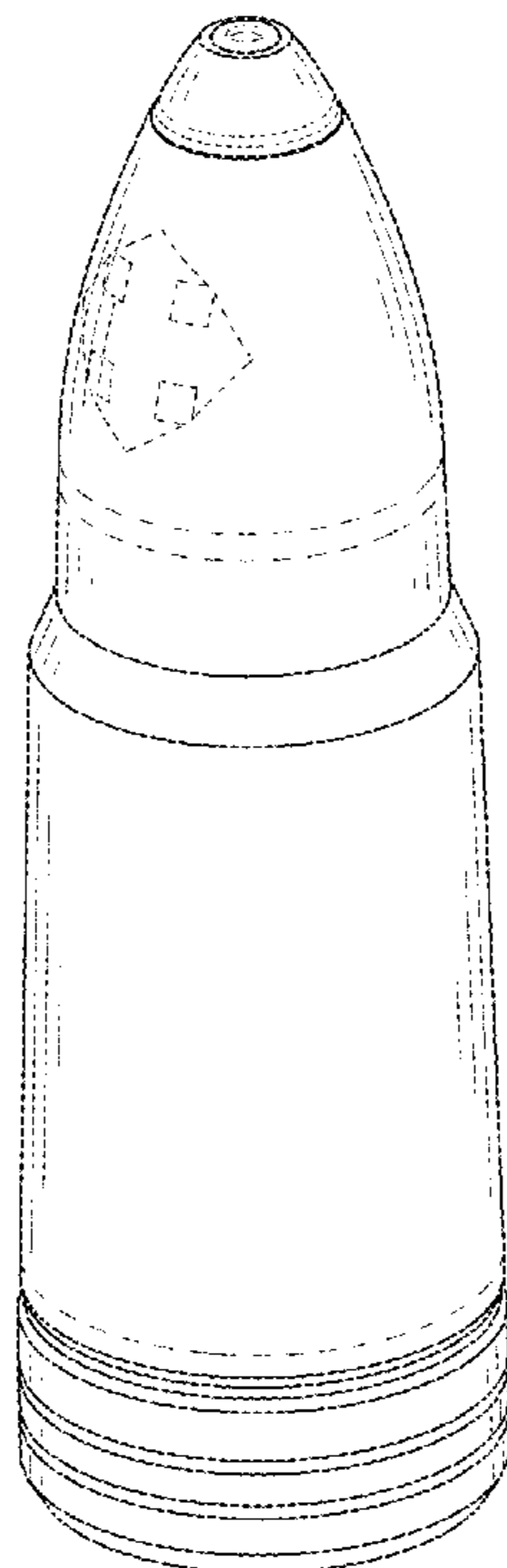
(57) **CLAIM**
The ornamental design for a male masturbator, as shown and described.

DESCRIPTION

FIG. 1 is a front elevational view of a male masturbator showing my new design;
FIG. 2 is a rear elevational view thereof;
FIG. 3 is a right side view thereof;
FIG. 4 is a top plan view thereof;
FIG. 5 is a bottom plan view thereof; and,
FIG. 6 is a perspective view thereof.
The broken lines are for illustrative purposes only and form no part of the claimed design.

1 Claim, 6 Drawing Sheets

- (56) **References Cited**
U.S. PATENT DOCUMENTS
D210,922 S * 4/1968 Tavel D24/214
D234,729 S * 4/1975 Weber D3/10



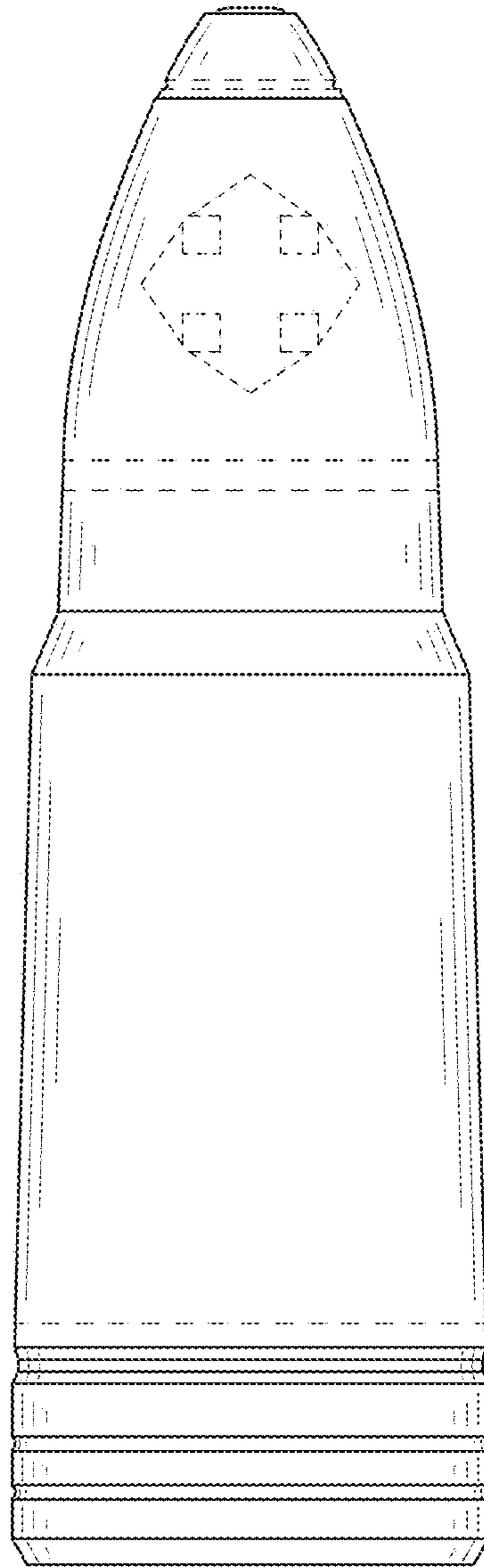


FIG. 1

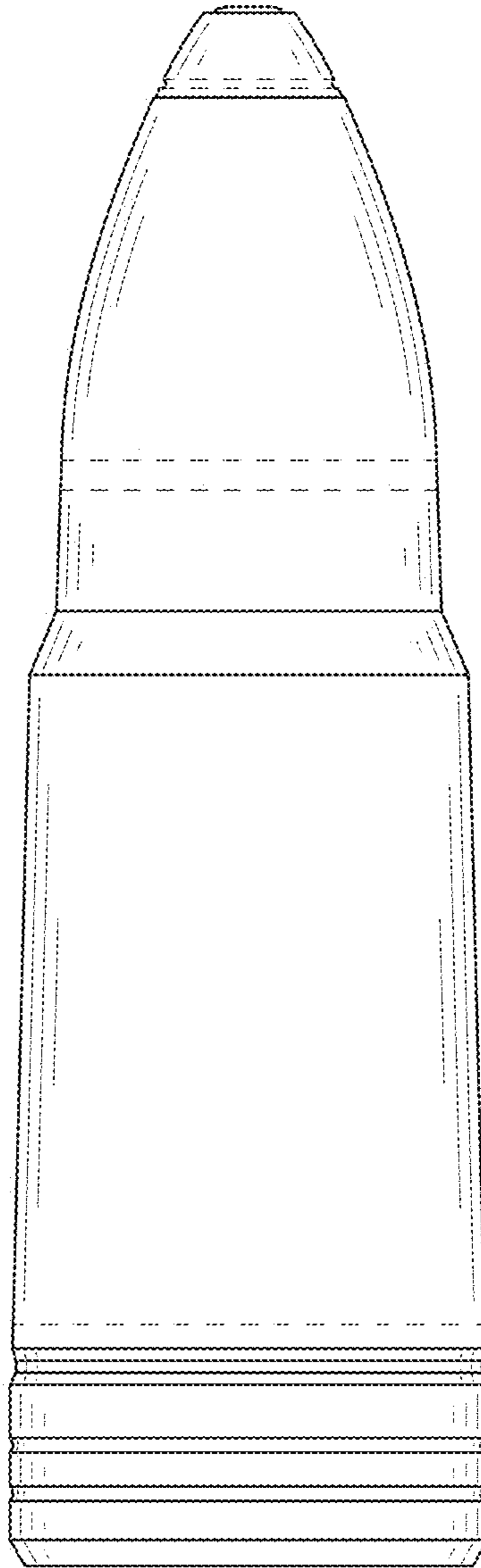


FIG. 2

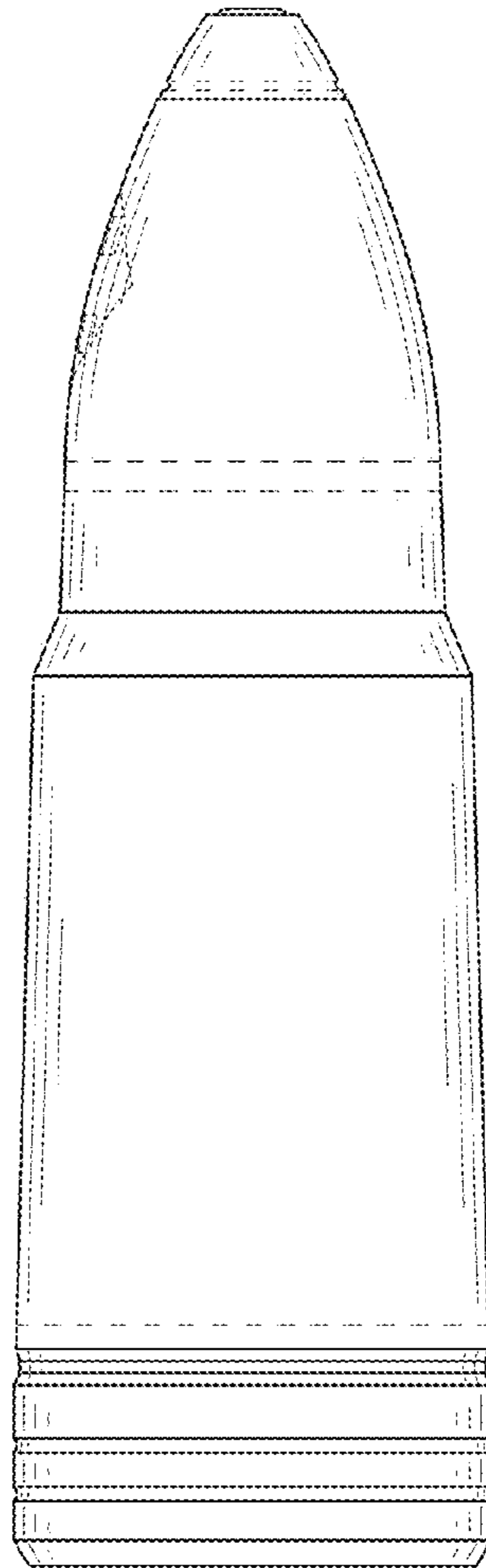


FIG. 3

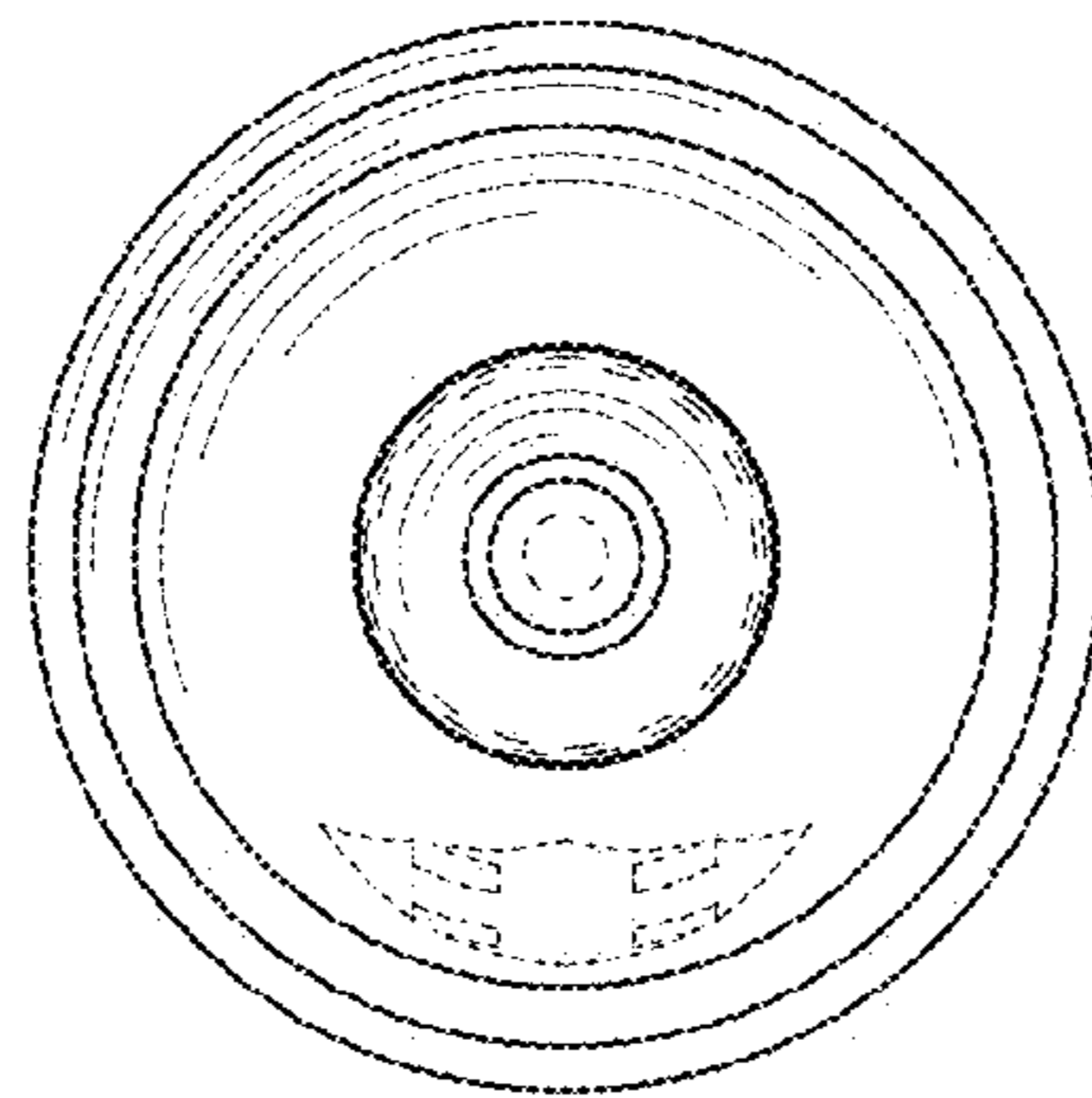


FIG. 4

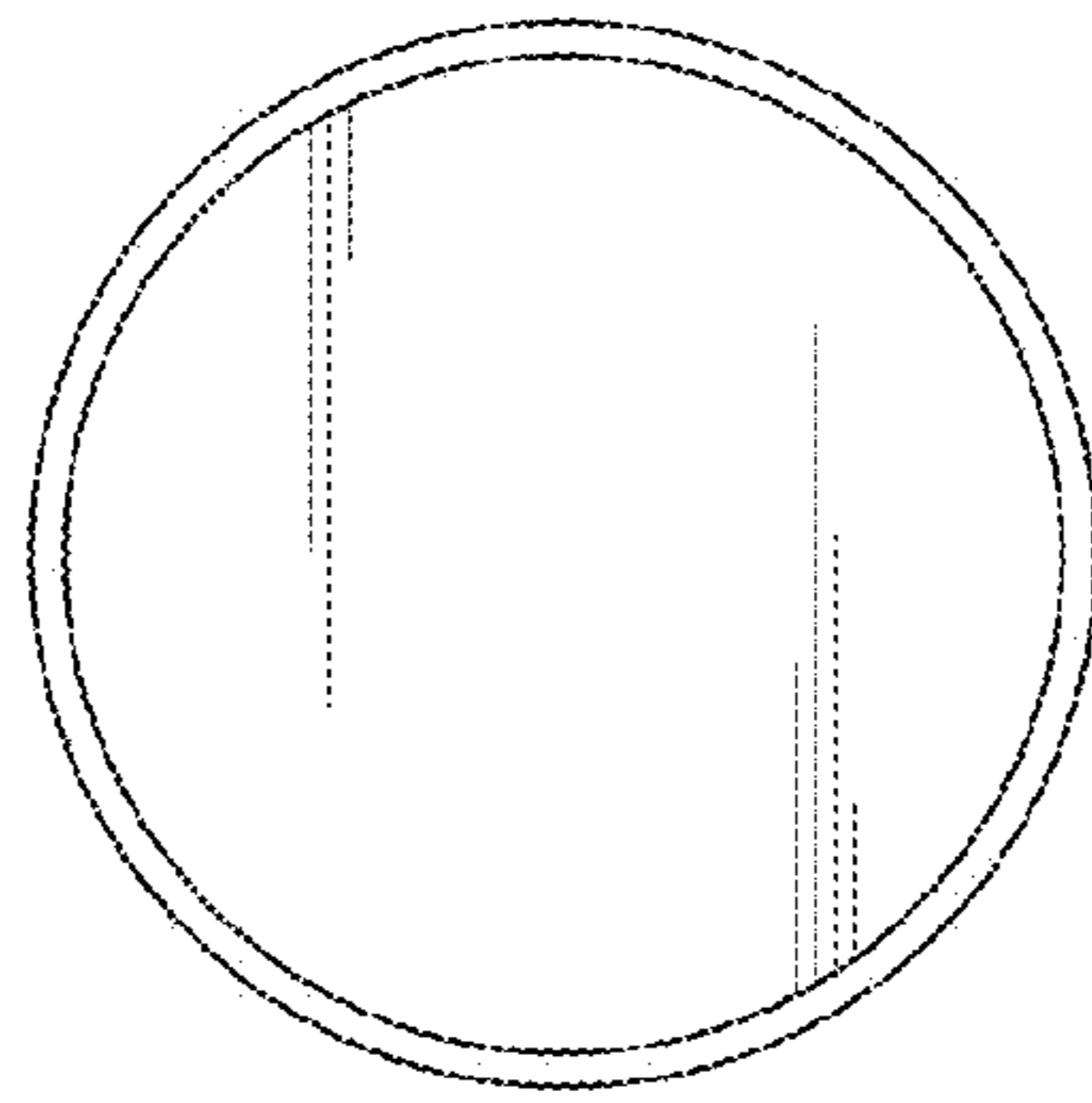


FIG. 5

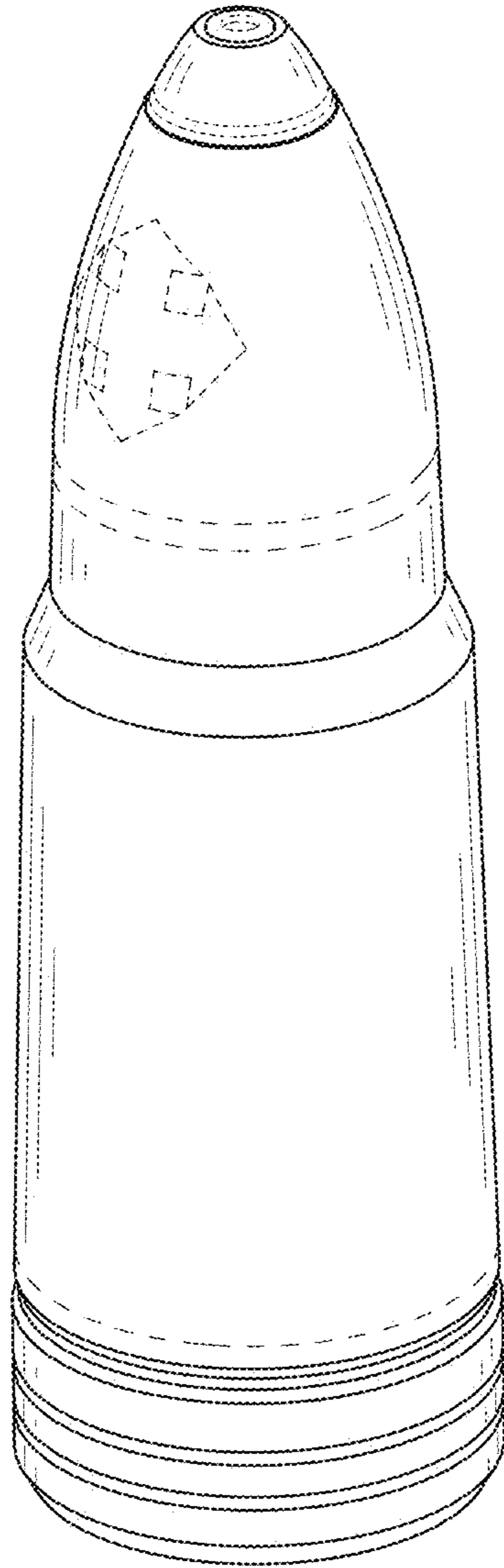


FIG. 6