



US00D738520S

(12) **United States Design Patent**
Lv

(10) **Patent No.:** US D738,520 S
(45) **Date of Patent:** ** Sep. 8, 2015

(54) **MESSAGE BALL**

(71) Applicant: **SHENZHEN FREE INTERACTIVE INC.**, Shenzhen, Guangdong (CN)

(72) Inventor: **Xuegang Lv**, Shenzhen (CN)

(73) Assignee: **SHENZHEN FREE INTERACTIVE INC.**, Shenzhen (CN)

(**) Term: **14 Years**

(21) Appl. No.: **29/510,451**

(22) Filed: **Nov. 28, 2014**

(51) **LOC (10) Cl.** **28-03**

(52) **U.S. Cl.**
USPC **D24/211**

(58) **Field of Classification Search**

USPC D24/200, 211, 212, 213, 214, 215;
601/110–114, 120, 121, 124, 125, 129,
601/131, 134, 135, 136, 137
CPC A61H 19/30; A61H 19/32; A61H 19/34;
A61H 19/40; A61H 19/44; A61H 19/50;
A61H 19/00; A61H 2201/1253; A61H
2205/082; A61H 2205/085; A61H 2205/087;
A61H 15/0085

See application file for complete search history.

(56) **References Cited**

U.S. PATENT DOCUMENTS

D349,576 S * 8/1994 Heiligenstein et al. D24/211
D349,771 S * 8/1994 Heiligenstein et al. D24/211
D652,943 S * 1/2012 Chong et al. D24/215
D688,379 S * 8/2013 Ehlers D24/211
D723,711 S * 3/2015 Elliott D24/215

* cited by examiner

Primary Examiner — Sandra Snapp

(57) **CLAIM**

The ornamental design for a massage ball, as shown and described.

DESCRIPTION

FIG. 1 is a front elevational view of a massage ball showing my new design;

FIG. 2 is a rear elevational view thereof;

FIG. 3 is a left side view thereof;

FIG. 4 is a right side view thereof;

FIG. 5 is a top plan view thereof;

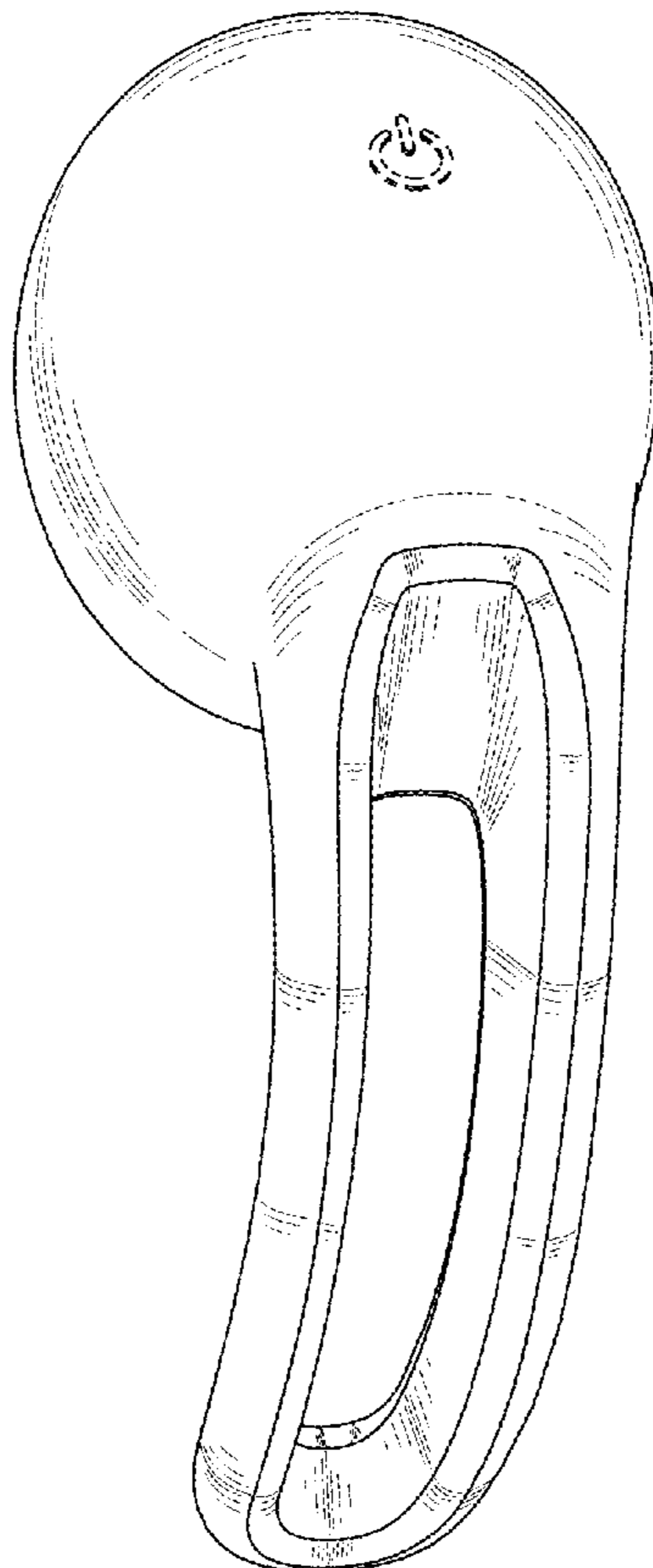
FIG. 6 is a bottom plan view thereof;

FIG. 7 is a first perspective view thereof; and,

FIG. 8 is a second perspective view thereof.

The broken lines are for illustrative purposes only and form no part of the claimed design.

1 Claim, 8 Drawing Sheets



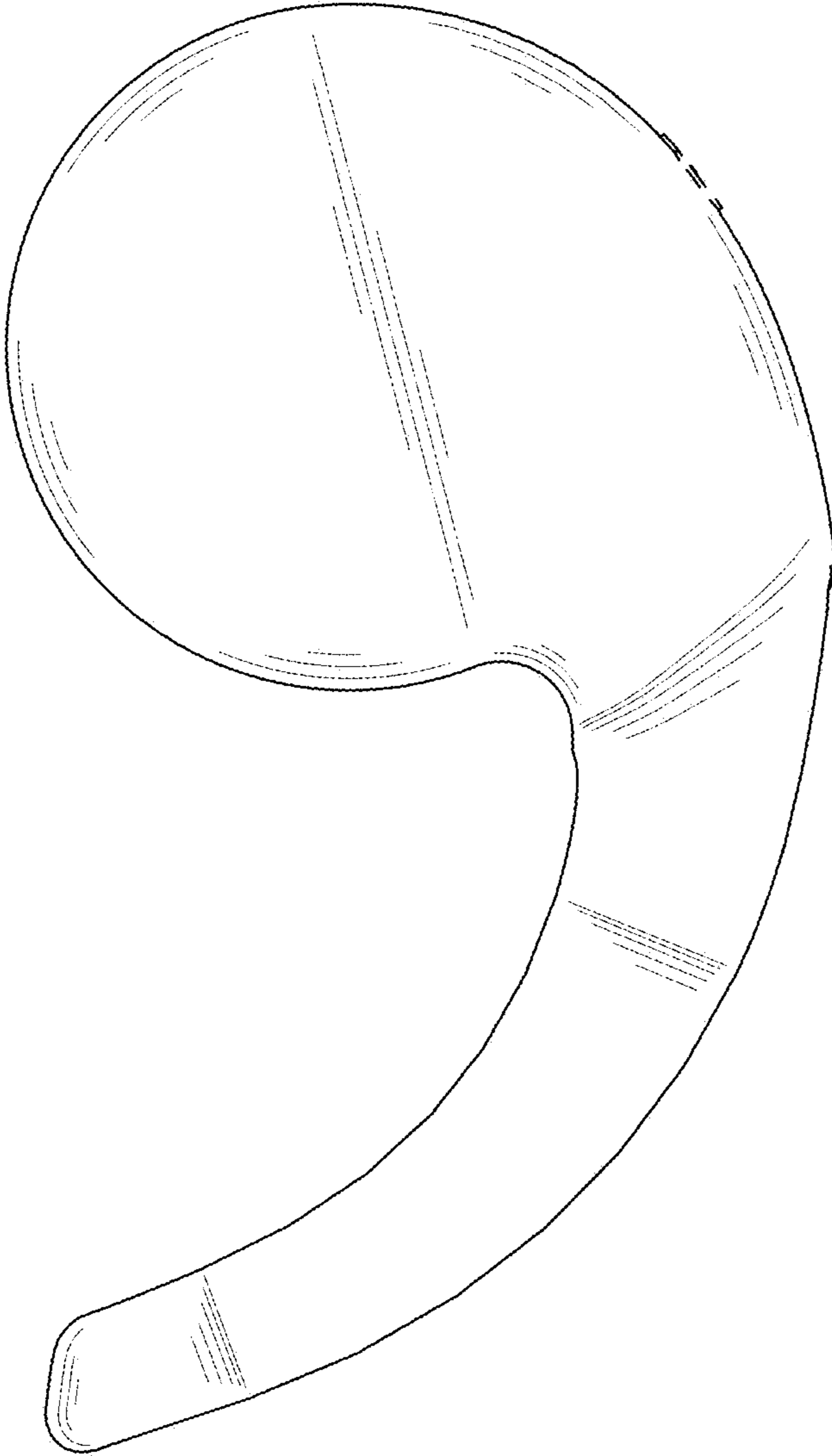


Fig.1

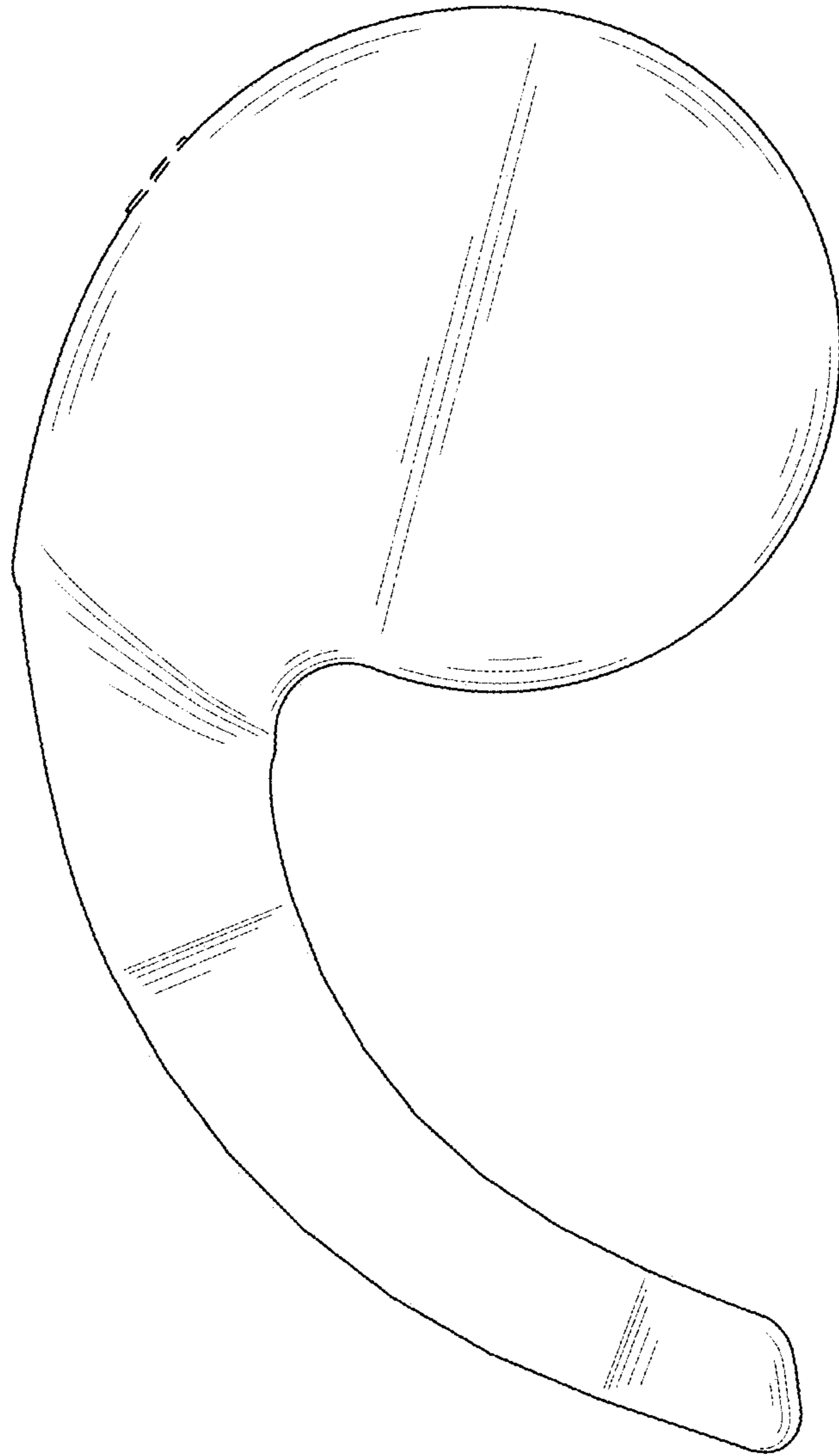


Fig. 2

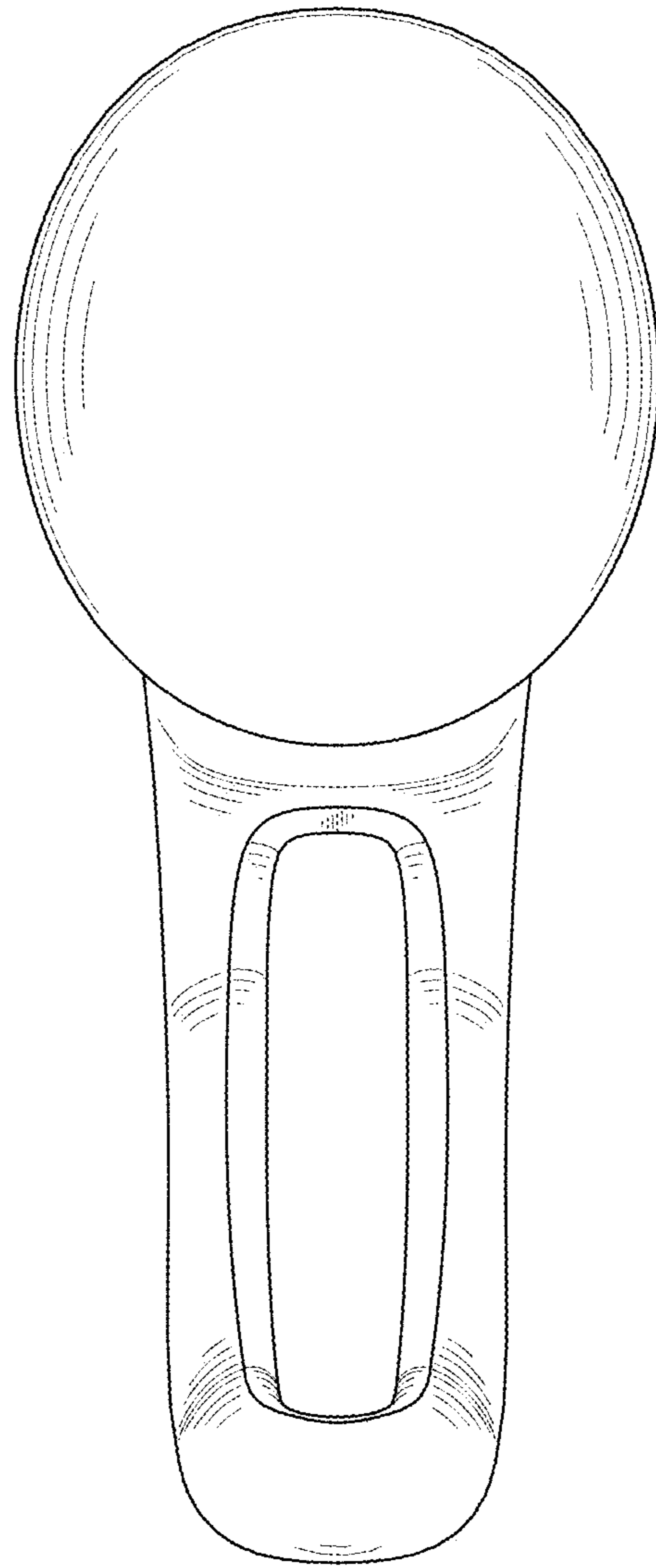


Fig.3

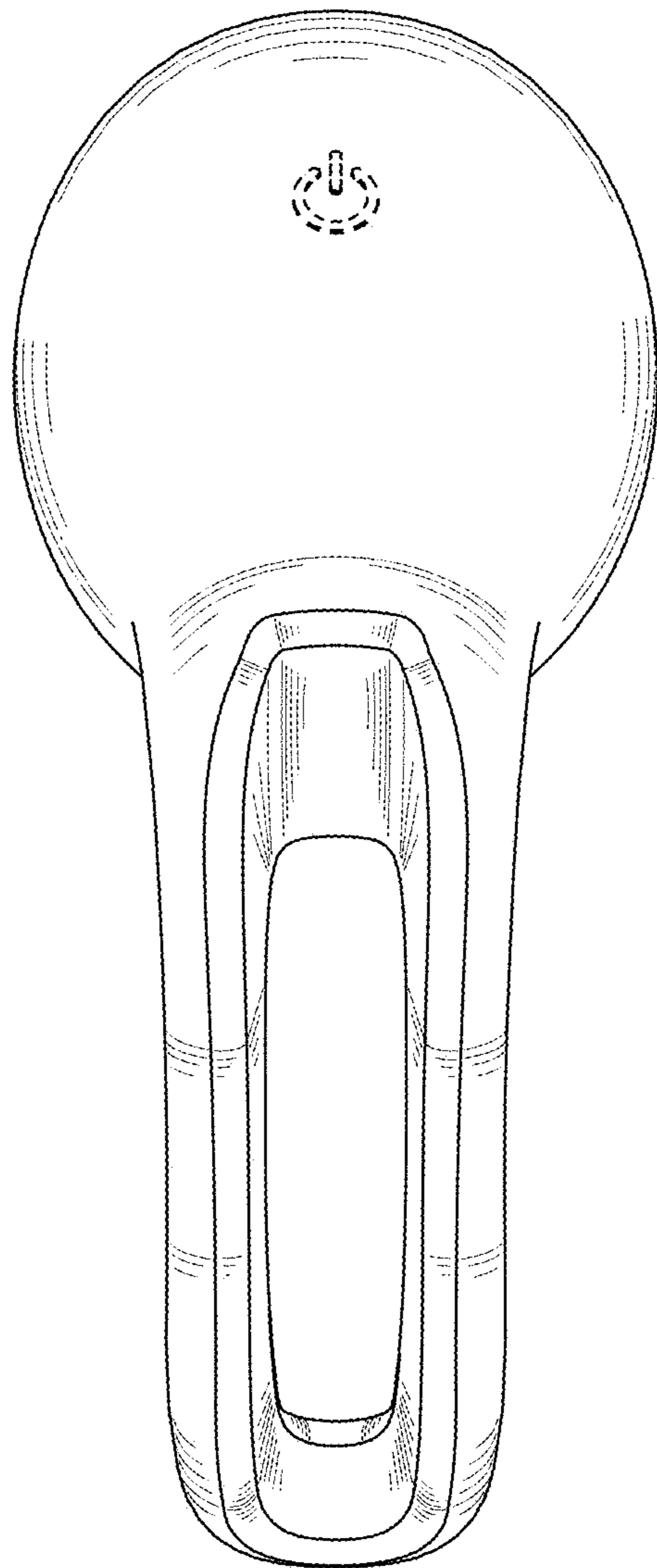


Fig. 4

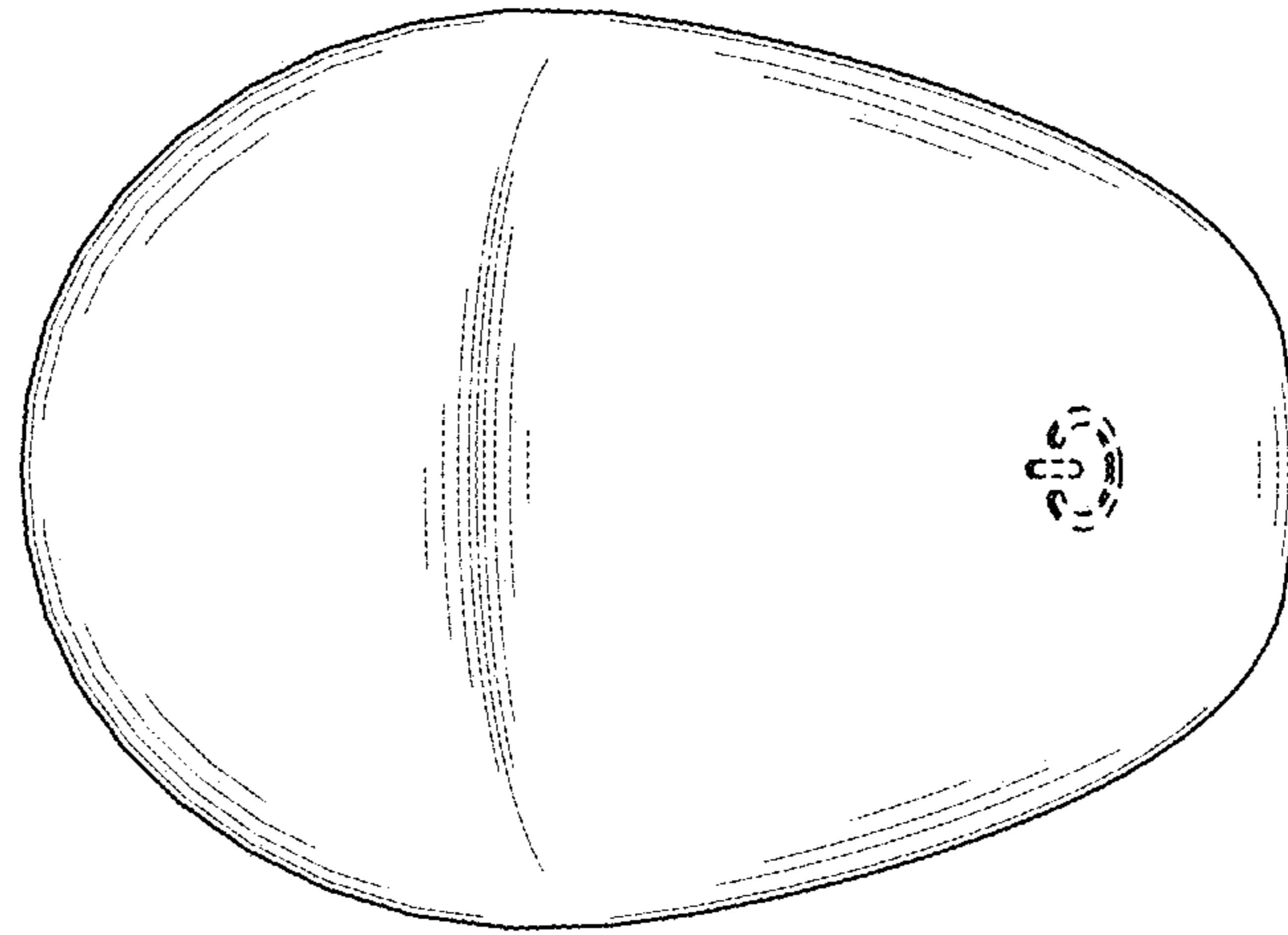


Fig.5

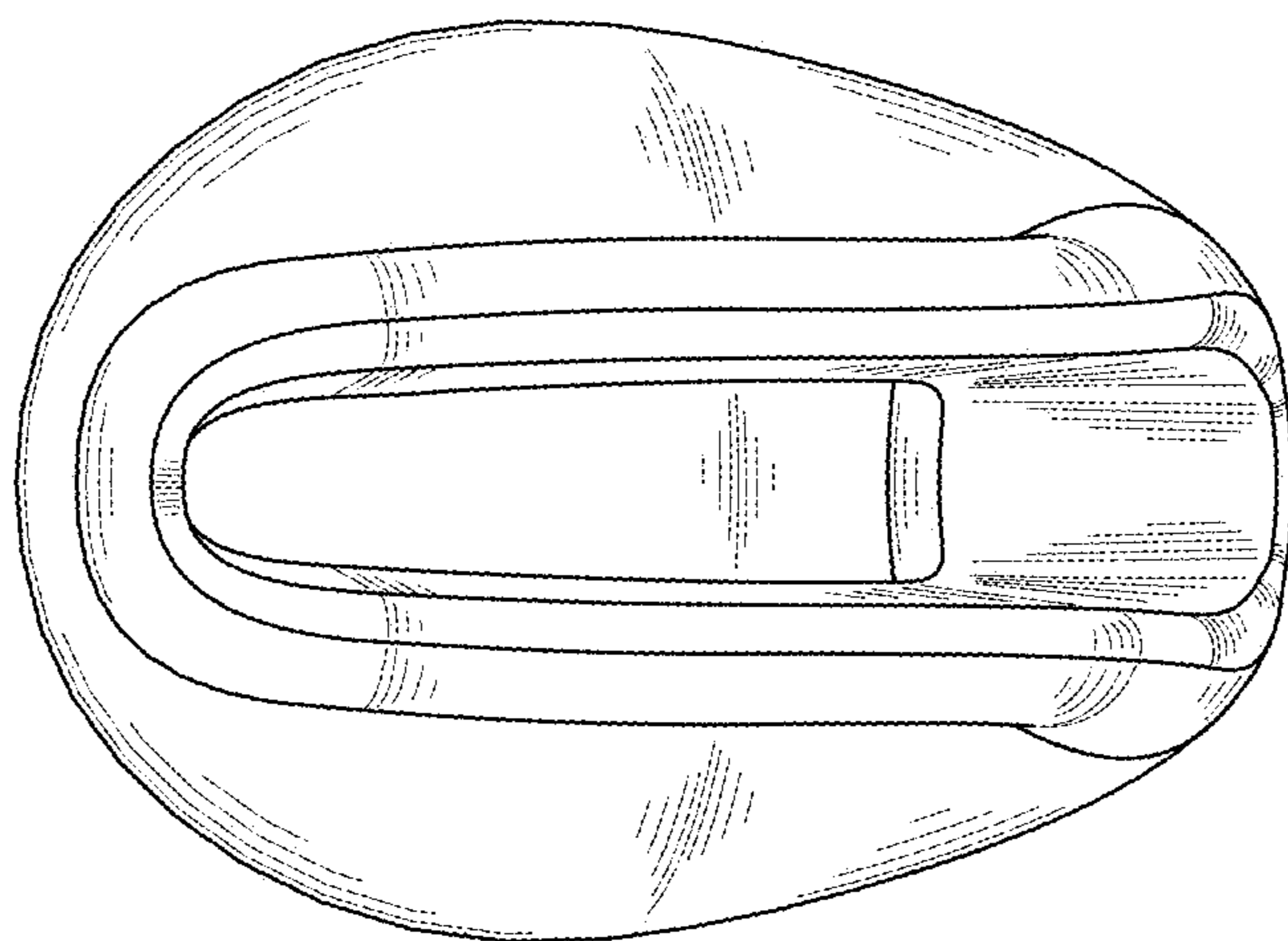


Fig.6

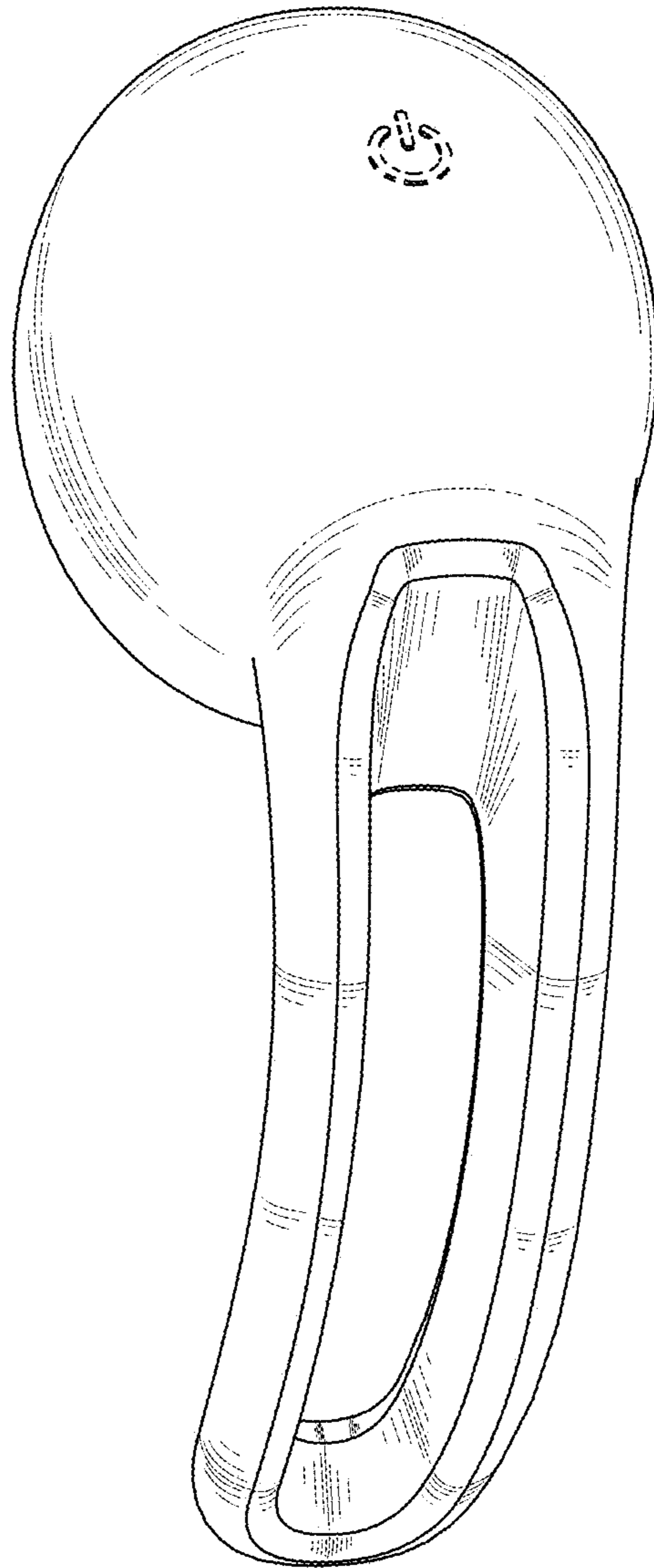


Fig. 7

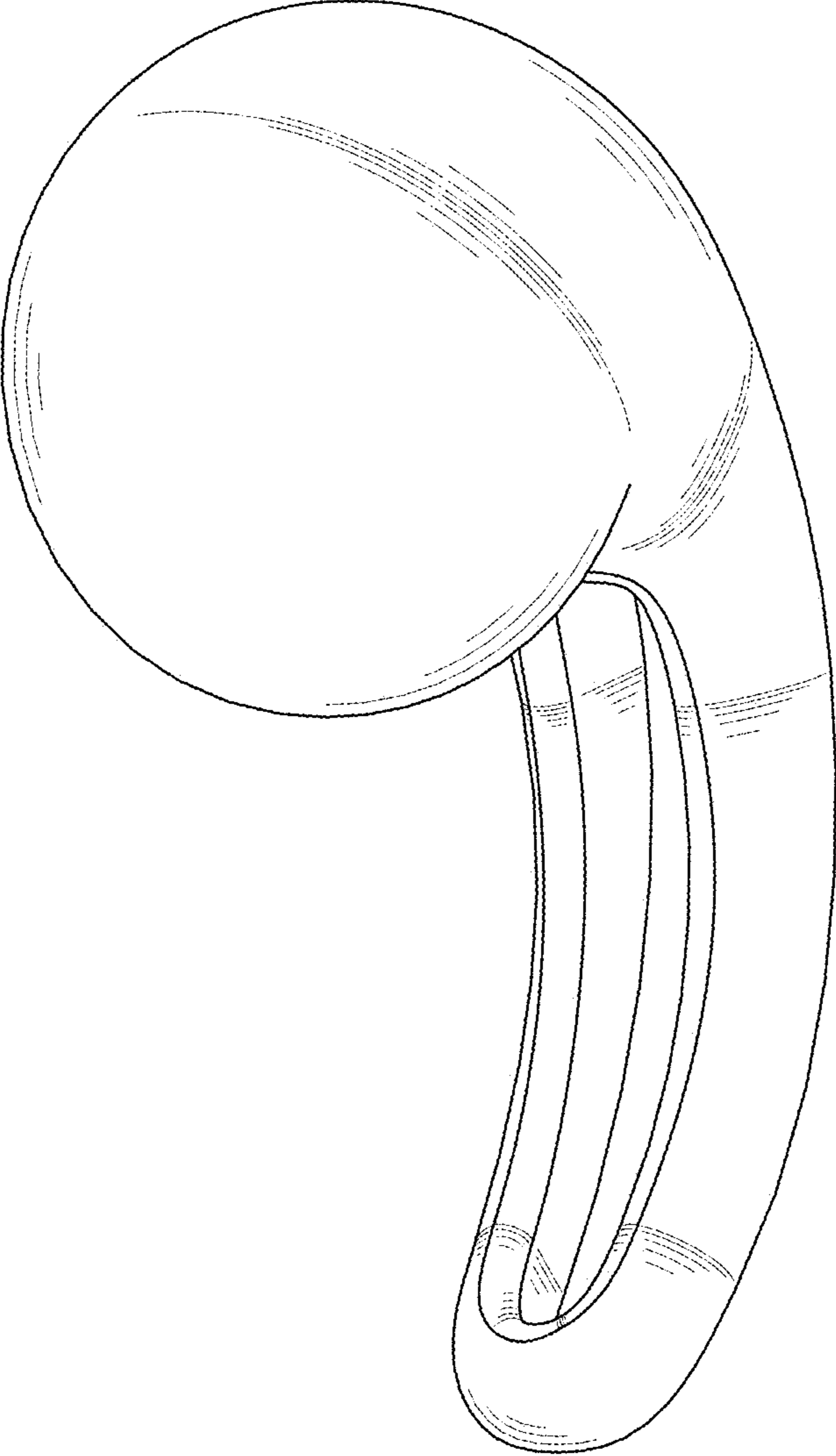


Fig.8