



US00D738518S

(12) **United States Design Patent**
Lischinsky et al.

(10) **Patent No.:** **US D738,518 S**
(45) **Date of Patent:** **** Sep. 8, 2015**

- (54) **SKIN TREATMENT APPARATUS**
- (71) Applicant: **ENDYMED MEDICAL LTD.**,
Caesarea (IL)
- (72) Inventors: **Daniel Lischinsky**, Ramat-Yishai, IL
(US); **Yoram Harth**, Herzlia, IL (US)
- (73) Assignee: **ENDYMED MEDICAL LTD.**,
Caesarea (IL)
- (**) Term: **14 Years**
- (21) Appl. No.: **29/445,826**
- (22) Filed: **Feb. 17, 2013**
- (51) **LOC (10) Cl.** **24-01**
- (52) **U.S. Cl.**
USPC **D24/206**
- (58) **Field of Classification Search**
USPC D24/133, 188, 200, 206–215; D10/57;
606/9, 33; 607/88–94; D13/108
CPC A61H 33/12; A61H 33/06; A61H 33/063;
A61H 2201/10; A61H 2201/00; A61H
2201/005; A61H 2205/12; A61M 11/041;
A61M 2011/065; A61M 2209/084; A61N
5/0616; A61N 5/062; A61N 5/0613
See application file for complete search history.

(56) **References Cited**
U.S. PATENT DOCUMENTS

D167,596 S *	8/1952	Streng	D28/51
D319,514 S *	8/1991	Elkerbout	D28/44.1
D392,412 S *	3/1998	Kip	D28/10
D425,199 S *	5/2000	Muramatsu	D24/133
D486,233 S *	2/2004	Cook et al.	D24/200
D487,154 S *	2/2004	Cook et al.	D24/200
D490,528 S *	5/2004	Cook et al.	D24/200
D507,378 S *	7/2005	Cornelissen	D28/44.1
D549,351 S *	8/2007	Wu	D24/215

D608,052 S *	1/2010	Beedham	D28/44.1
D620,597 S *	7/2010	Cole et al.	D24/200
D621,950 S *	8/2010	Seki et al.	D24/209
D638,935 S *	5/2011	Gilmore et al.	D24/133
D645,202 S *	9/2011	Beedham	D28/44.1
D652,168 S *	1/2012	Kling et al.	D28/44
D662,660 S *	6/2012	Byun	D28/44.1
D664,296 S *	7/2012	Kling et al.	D28/44.1
D678,614 S *	3/2013	Yiu	D28/58
D686,370 S *	7/2013	Yiu	D28/58
D705,484 S *	5/2014	Bourgeois	D28/44.1
D705,989 S *	5/2014	Levi et al.	D28/44.1
2007/0217199 A1 *	9/2007	Adam et al.	362/276
2008/0103563 A1 *	5/2008	Powell et al.	607/89
2009/0177125 A1 *	7/2009	Pilcher et al.	601/18
2012/0165710 A1 *	6/2012	Nichols	601/72
2014/0207217 A1 *	7/2014	Lischinsky et al.	607/102

* cited by examiner

Primary Examiner — Karen E Kearney

Assistant Examiner — John Reickel

(74) *Attorney, Agent, or Firm* — Pearl Cohen Zedek Latzer Baratz LLP

(57) **CLAIM**

The ornamental design for a skin treatment apparatus, as shown and described.

DESCRIPTION

FIG. 1 is a perspective view of a skin treatment apparatus;

FIG. 2 is a top view thereof;

FIG. 3 is a bottom view thereof;

FIG. 4 is a front view thereof;

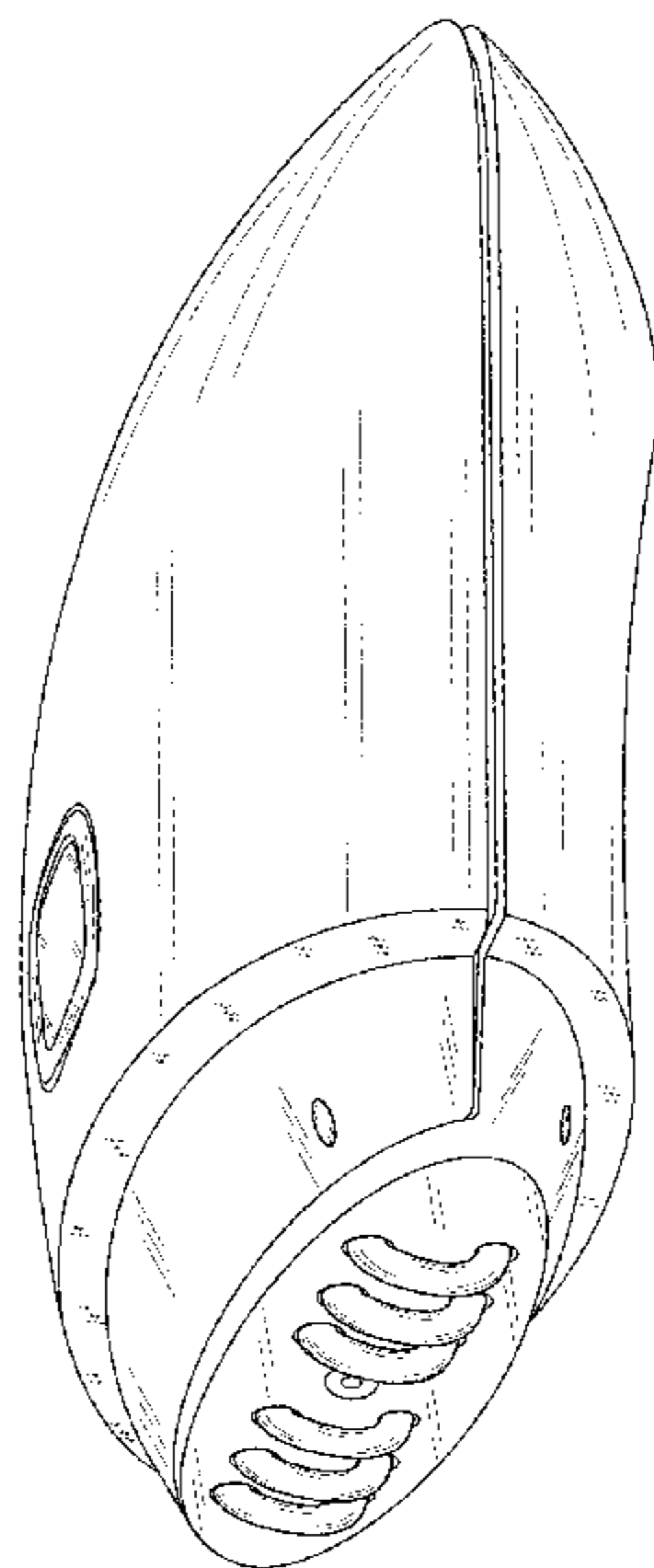
FIG. 5 is a rear view thereof;

FIG. 6 is a right side view thereof; and,

FIG. 7 is a left side view thereof.

The broken lines in the drawings are included for the purpose of illustrating portions of the article that form no part of the claimed design.

1 Claim, 5 Drawing Sheets



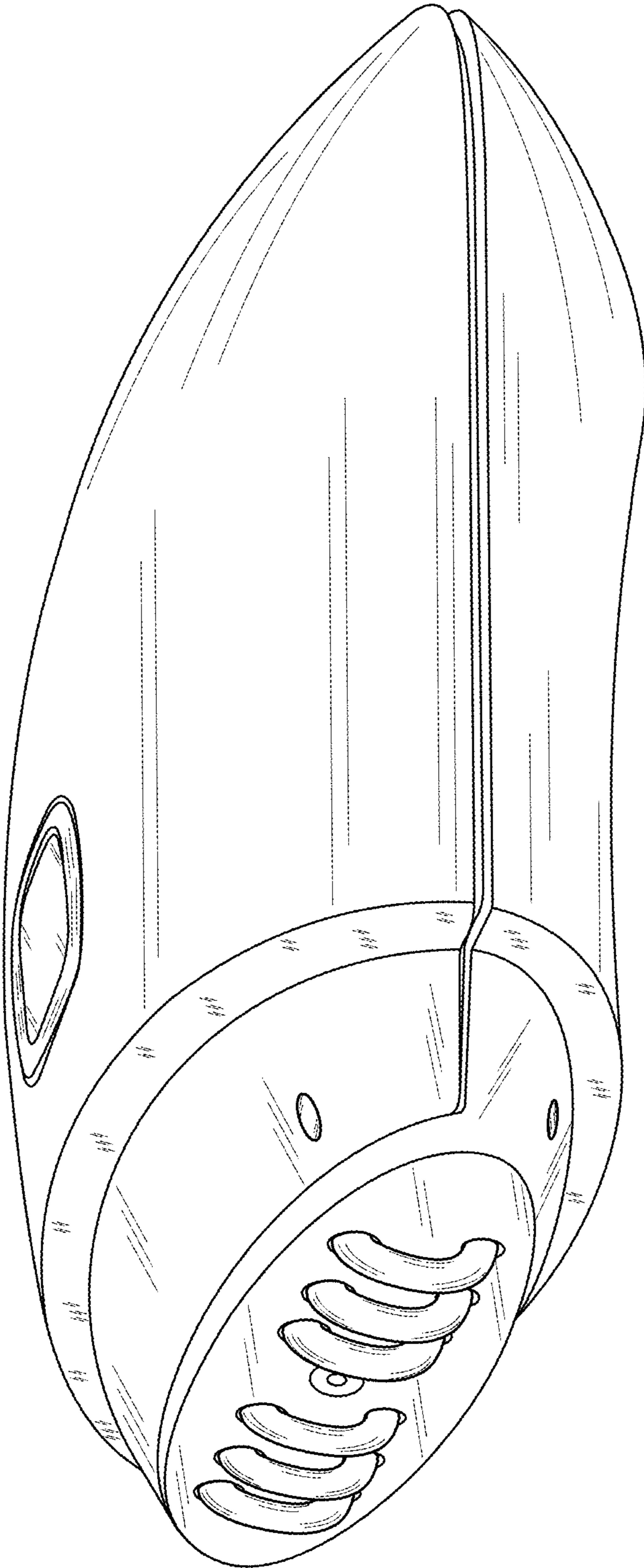


FIG. 1

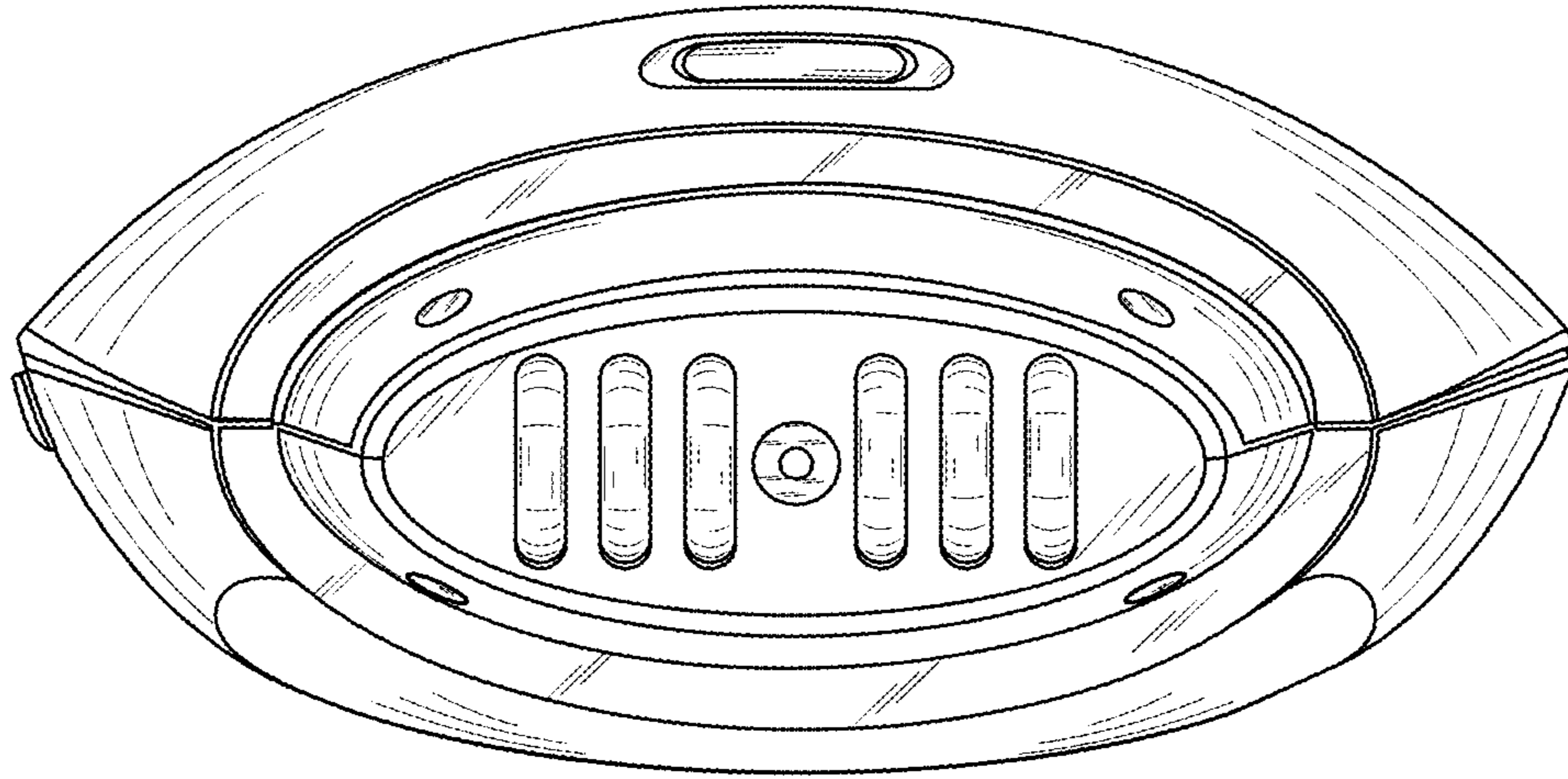


FIG. 2

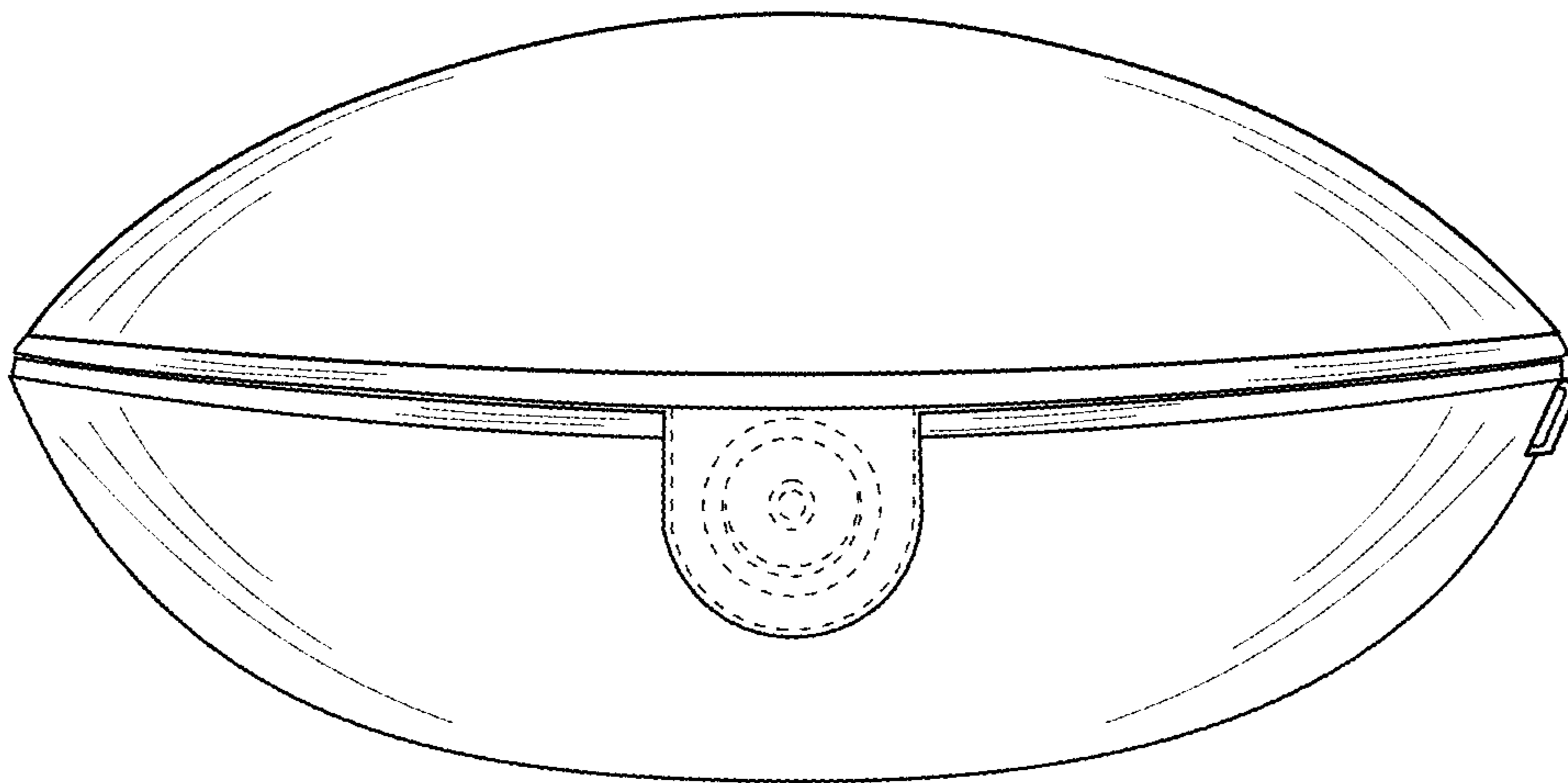


FIG. 3

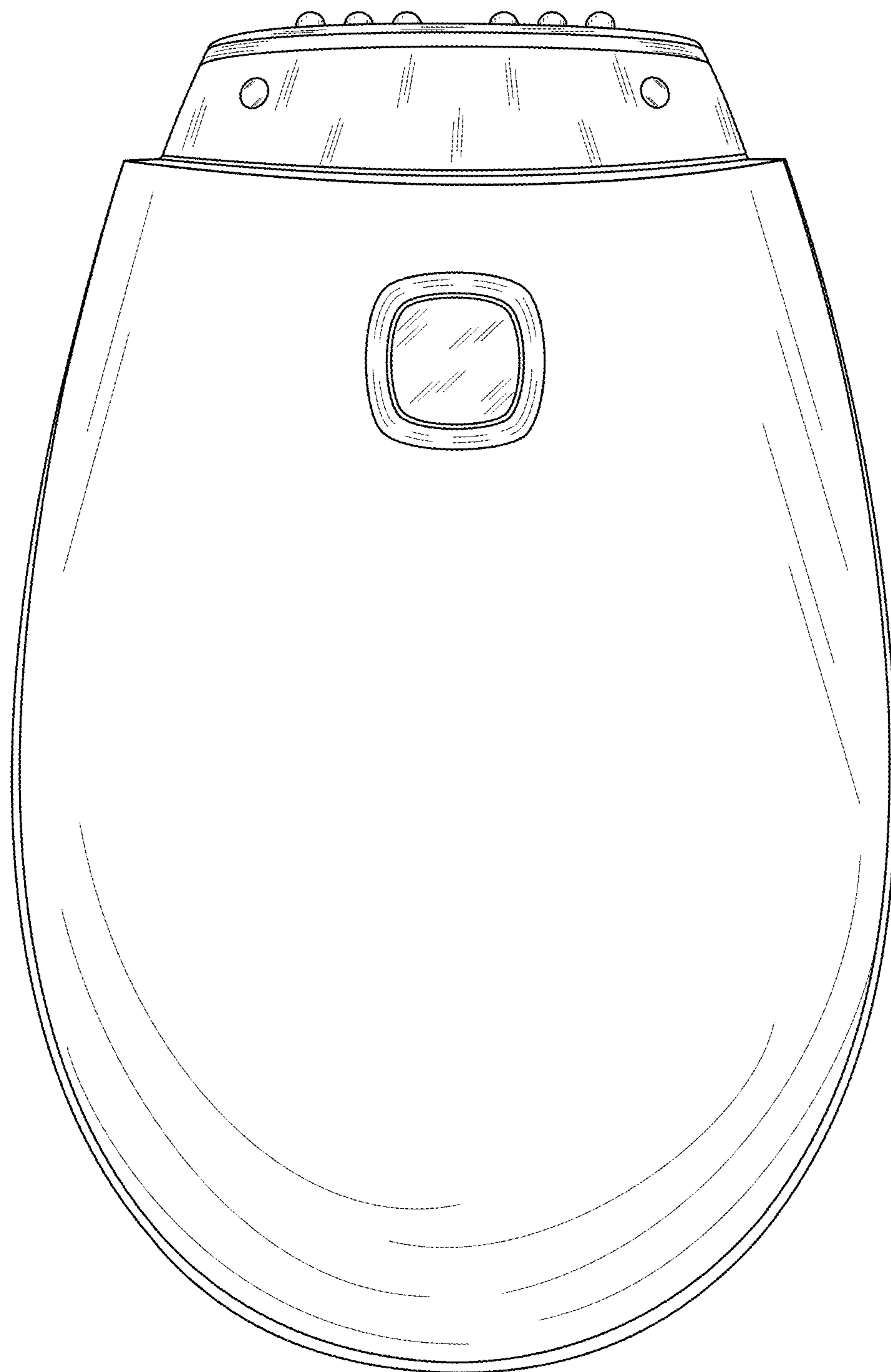


FIG. 4

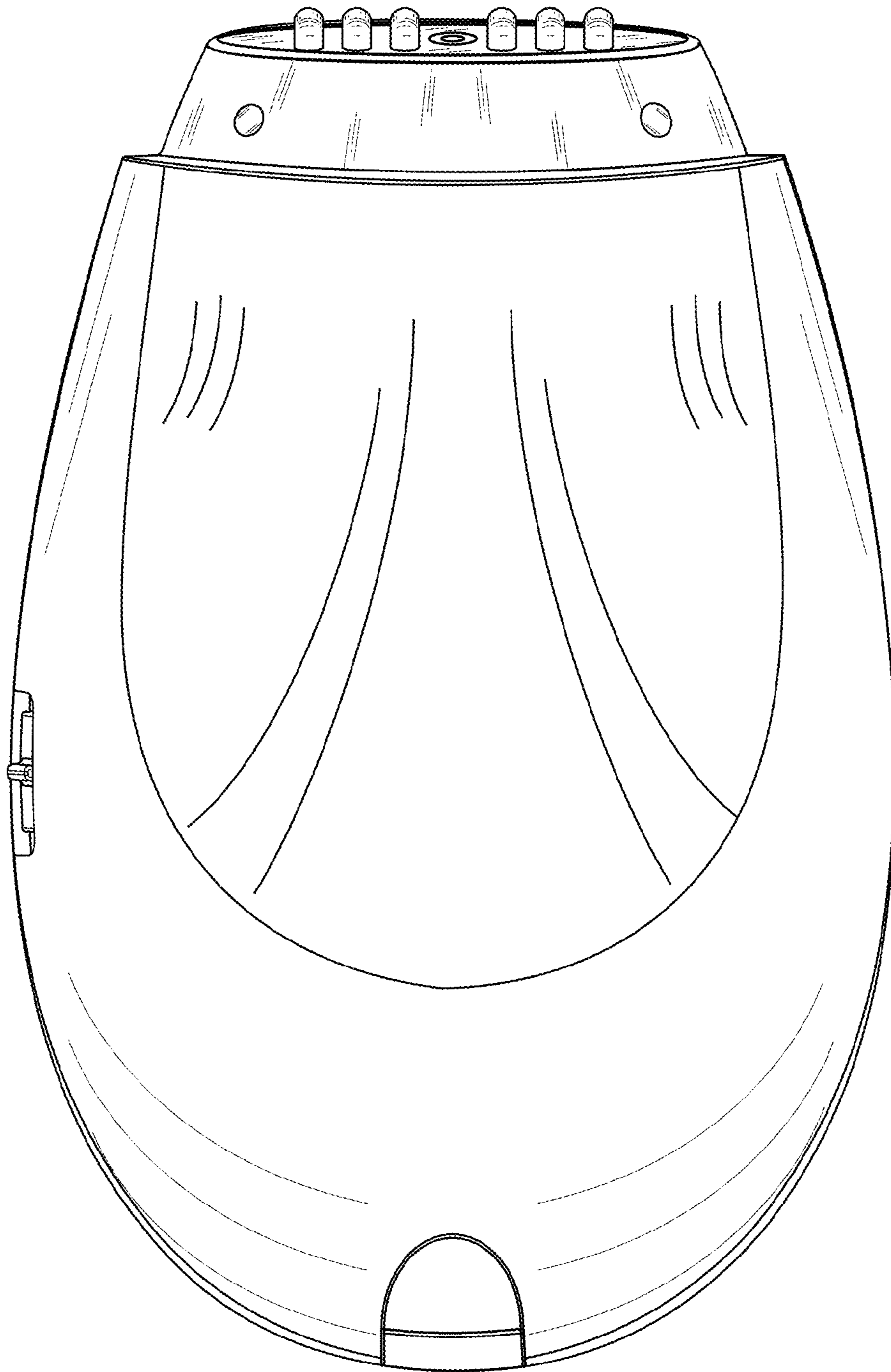


FIG. 5

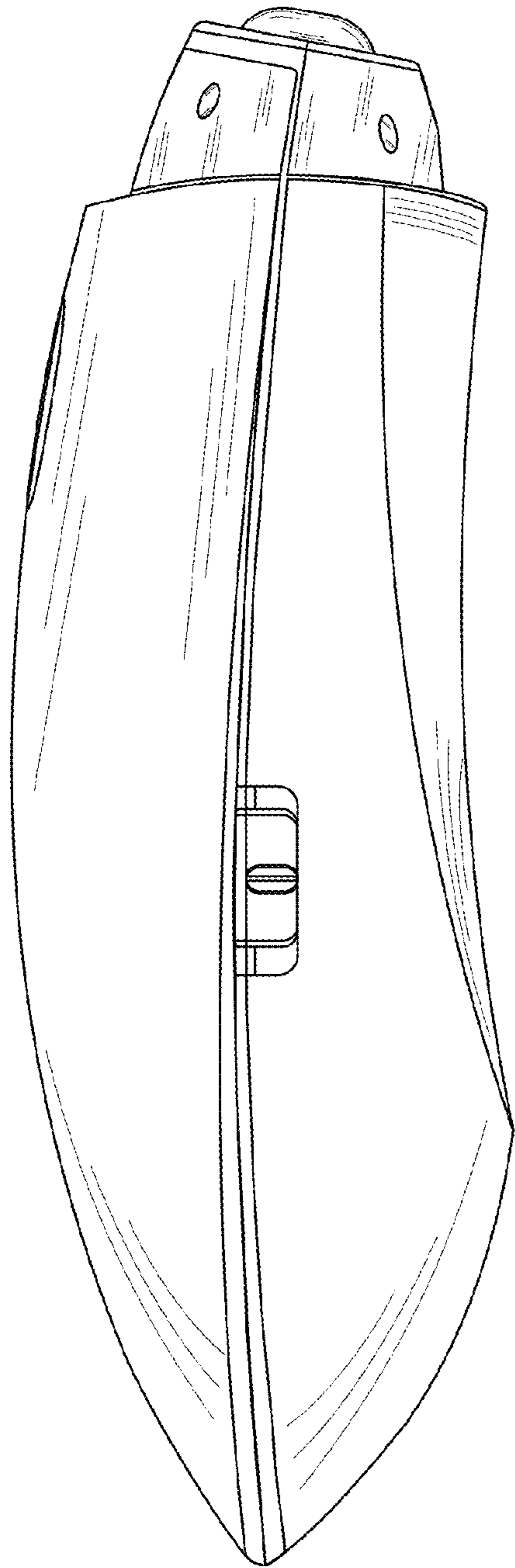


FIG. 6



FIG. 7