



US00D738513S

(12) **United States Design Patent**
Coreil

(10) **Patent No.:** **US D738,513 S**
(45) **Date of Patent:** **** Sep. 8, 2015**

(54) **ORTHODONTIC SPACER**

(71) Applicant: **Mark Neil Coreil**, Houma, LA (US)

(72) Inventor: **Mark Neil Coreil**, Houma, LA (US)

(**) Term: **14 Years**

(21) Appl. No.: **29/504,014**

(22) Filed: **Oct. 1, 2014**

(51) **LOC (10) Cl.** **24-99**

(52) **U.S. Cl.**
USPC **D24/180**

(58) **Field of Classification Search**
USPC D24/176-182, 152, 156; 433/2-3, 18,
433/40, 141, 148-149, 140, 201.1, 215
CPC A61C 5/125; A61C 5/127; A61C 7/00;
A61C 5/122; A61C 5/12
See application file for complete search history.

(56) **References Cited**

U.S. PATENT DOCUMENTS

2,288,011 A * 6/1942 Mizzy 433/148
4,384,854 A * 5/1983 Garfinkel 433/215
5,505,618 A * 4/1996 Summer 433/148

7,083,412 B1 * 8/2006 Karapetyan 433/148
8,070,490 B1 * 12/2011 Roetzer et al. 433/149
2015/0064650 A1 * 3/2015 Durandis 433/148

* cited by examiner

Primary Examiner — Wan Laymon

(74) *Attorney, Agent, or Firm* — Rodgers & Rodgers

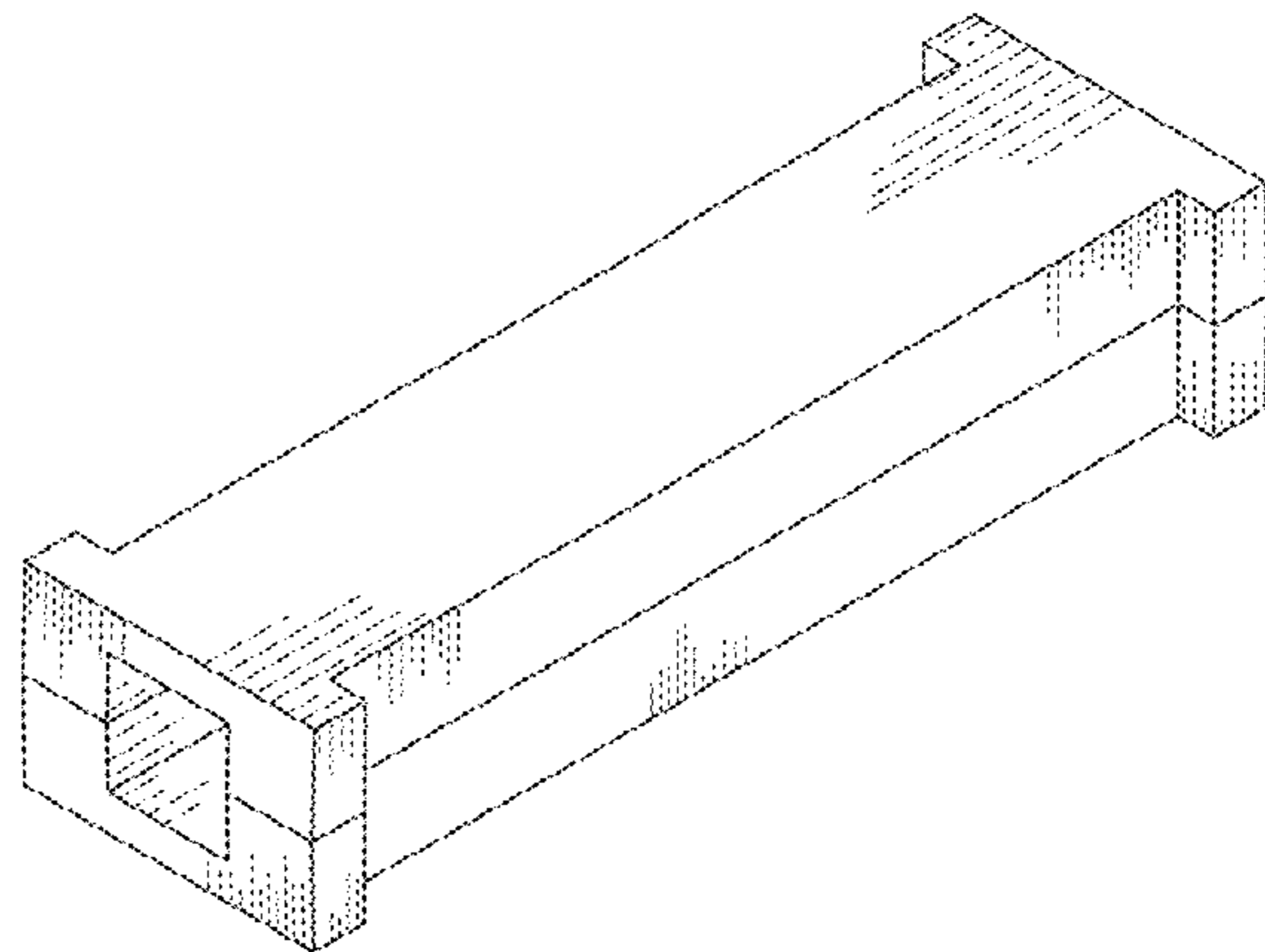
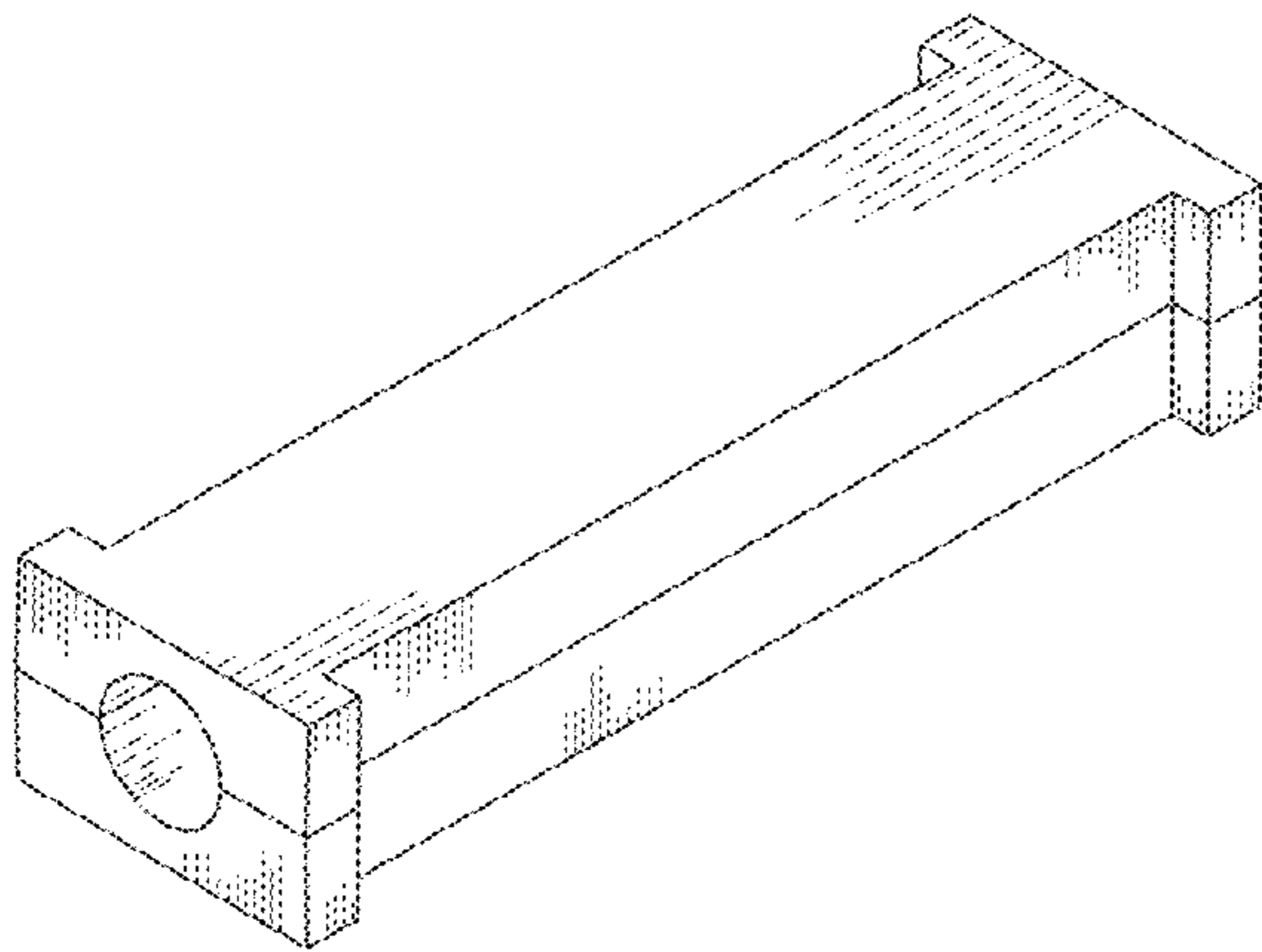
(57) **CLAIM**

The ornamental design for an orthodontic spacer, as shown and described.

DESCRIPTION

FIG. 1 is a perspective view of an orthodontic spacer showing my new design;
FIG. 2 is a top plan view thereof, the bottom being the same in appearance;
FIG. 3 is a left-side elevational view thereof, the right side being the same in appearance;
FIG. 4 is a front elevational view thereof, the rear being the same in appearance;
FIG. 5 is a perspective view of a second embodiment of FIG. 1; and,
FIG. 6 is left-side elevational view thereof, the right side being the same in appearance.
All other surfaces of the second embodiment are the same as those of the first embodiment.

1 Claim, 3 Drawing Sheets



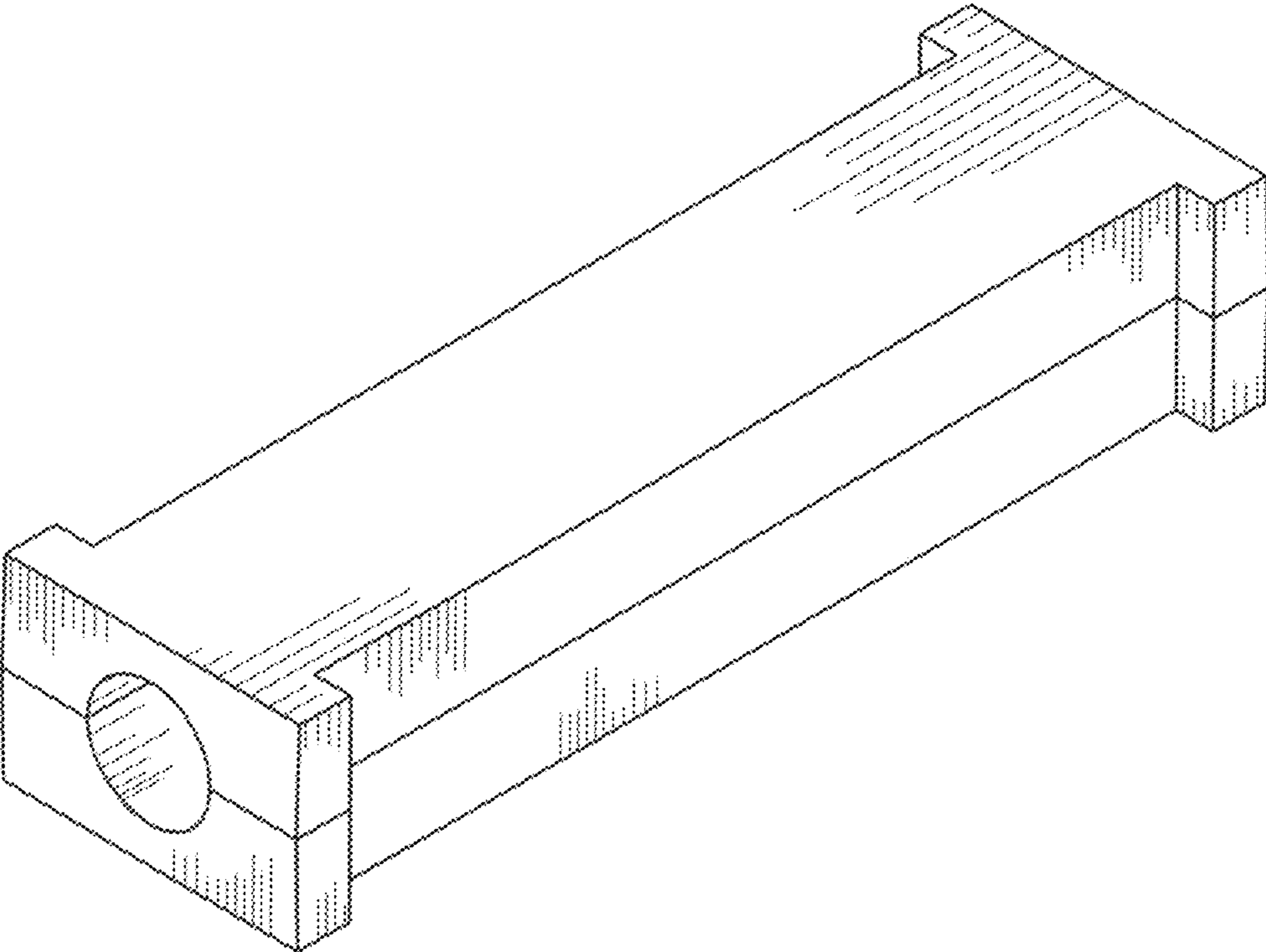


Fig 1

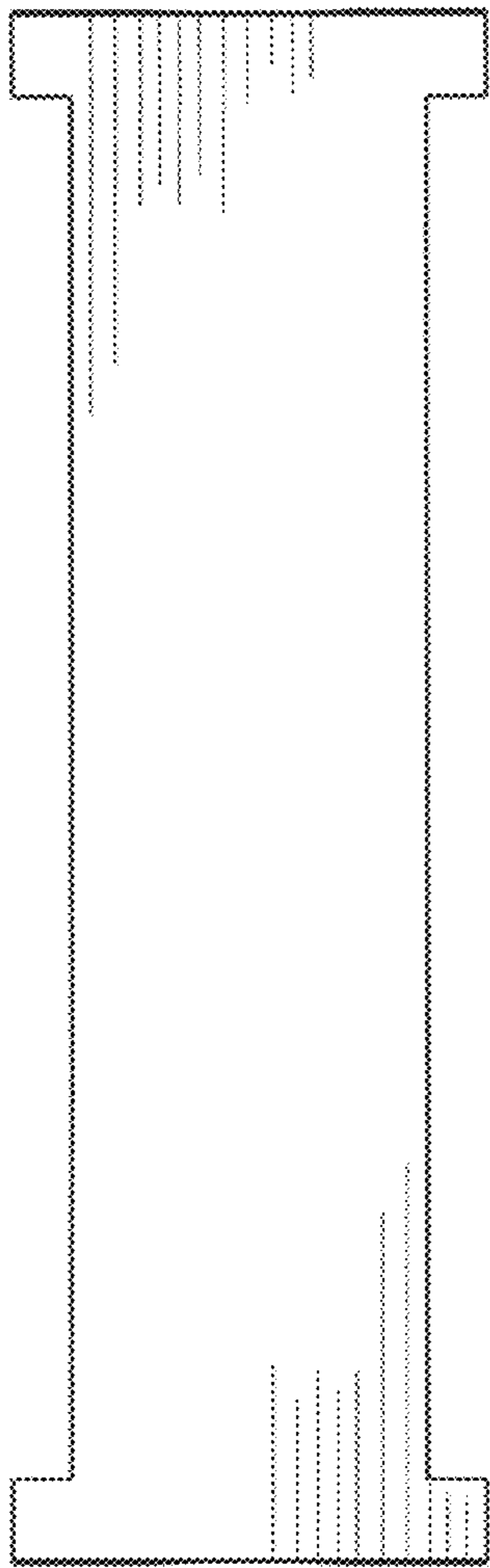


Fig 2

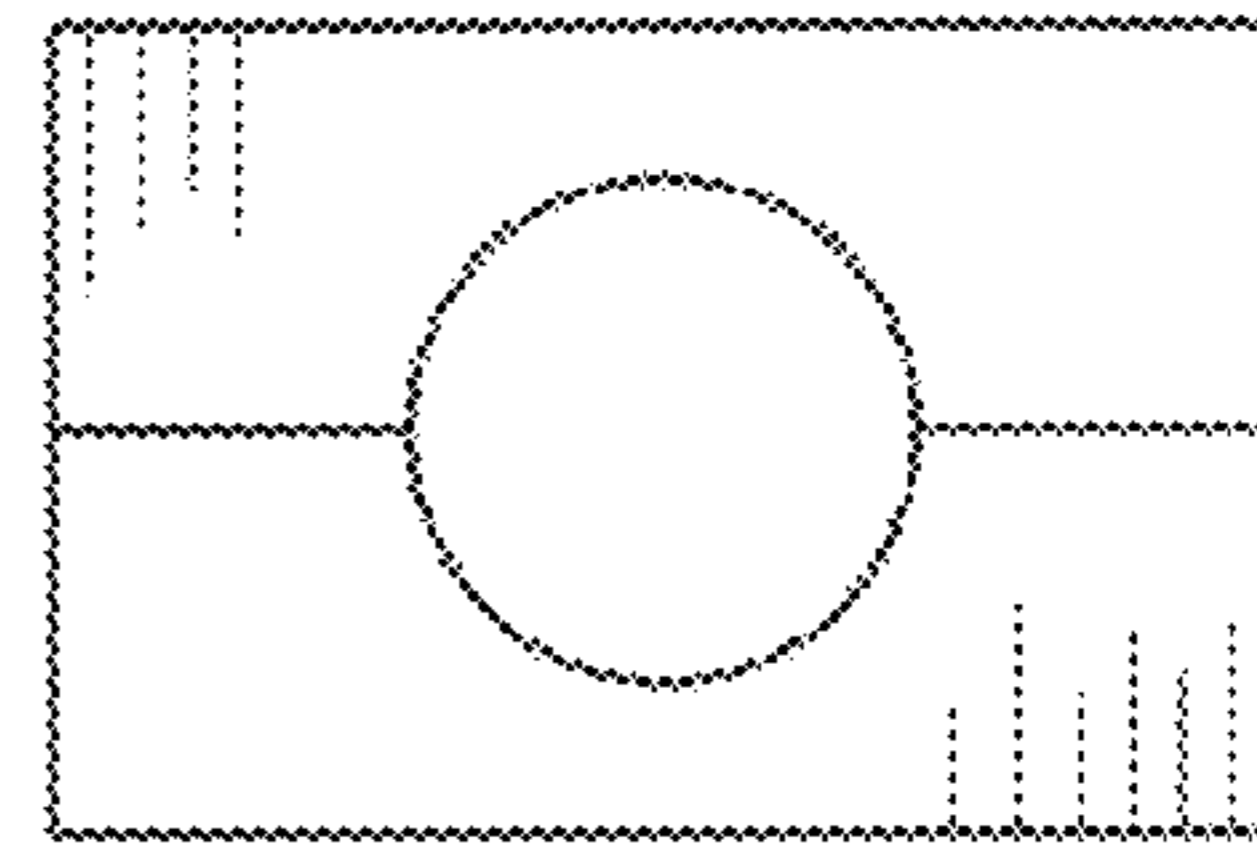


Fig 3

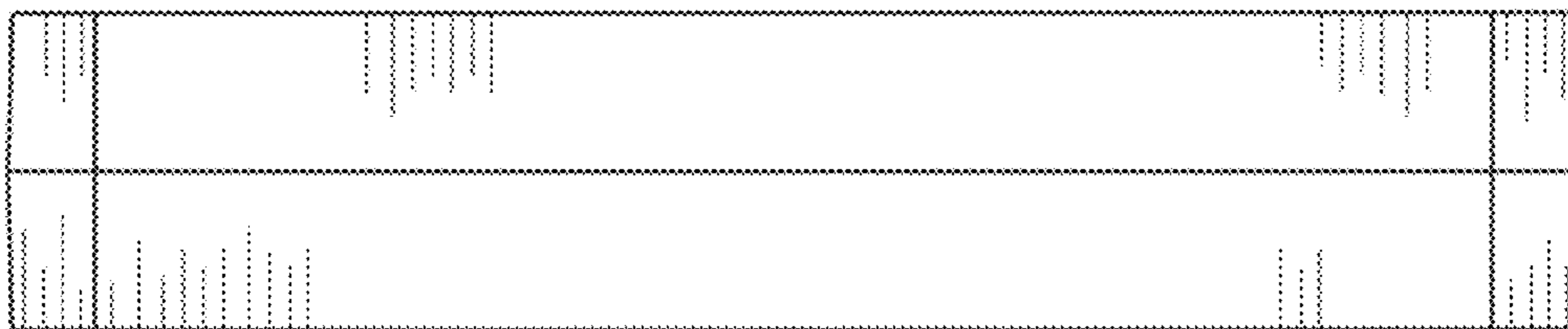


Fig 4

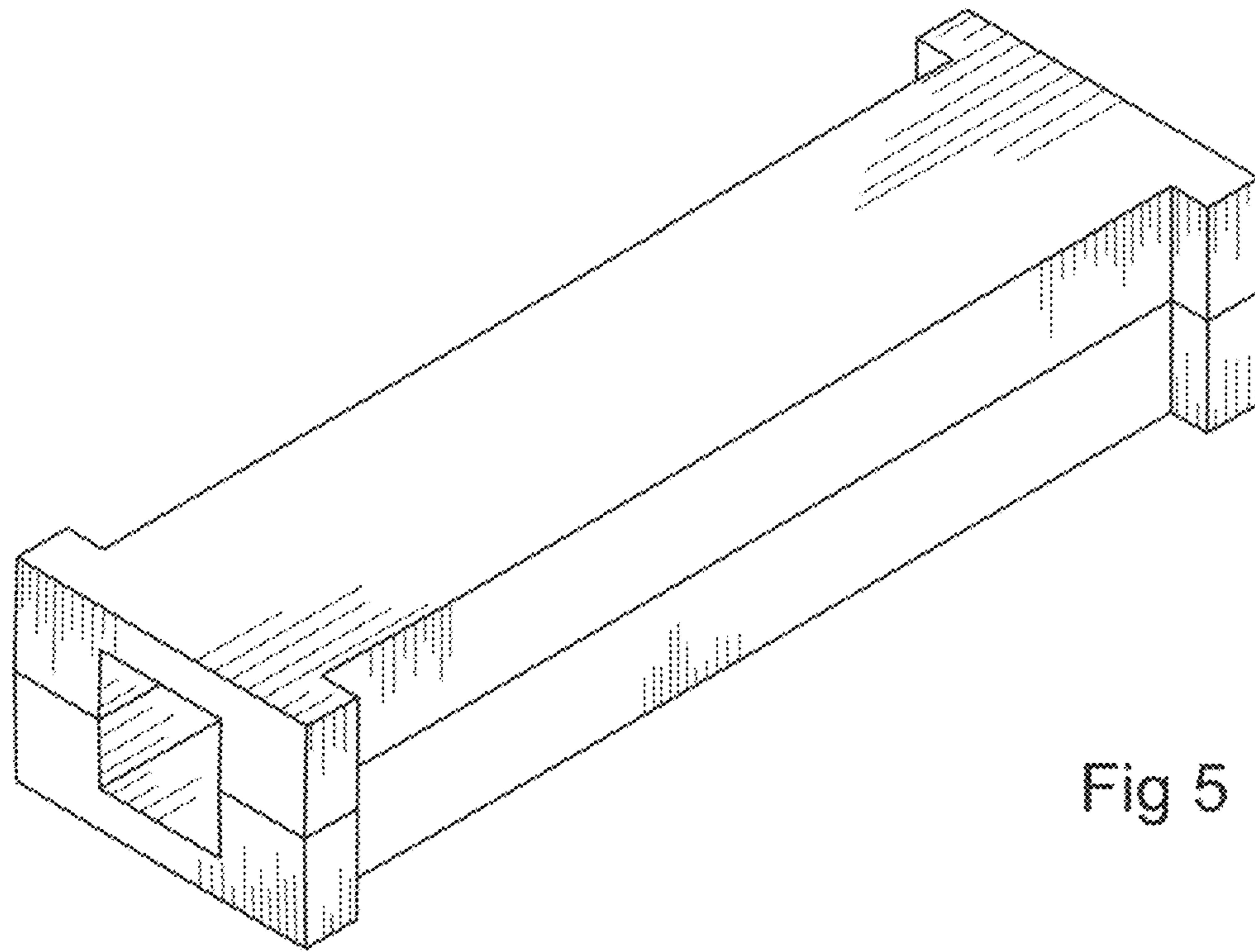


Fig 5

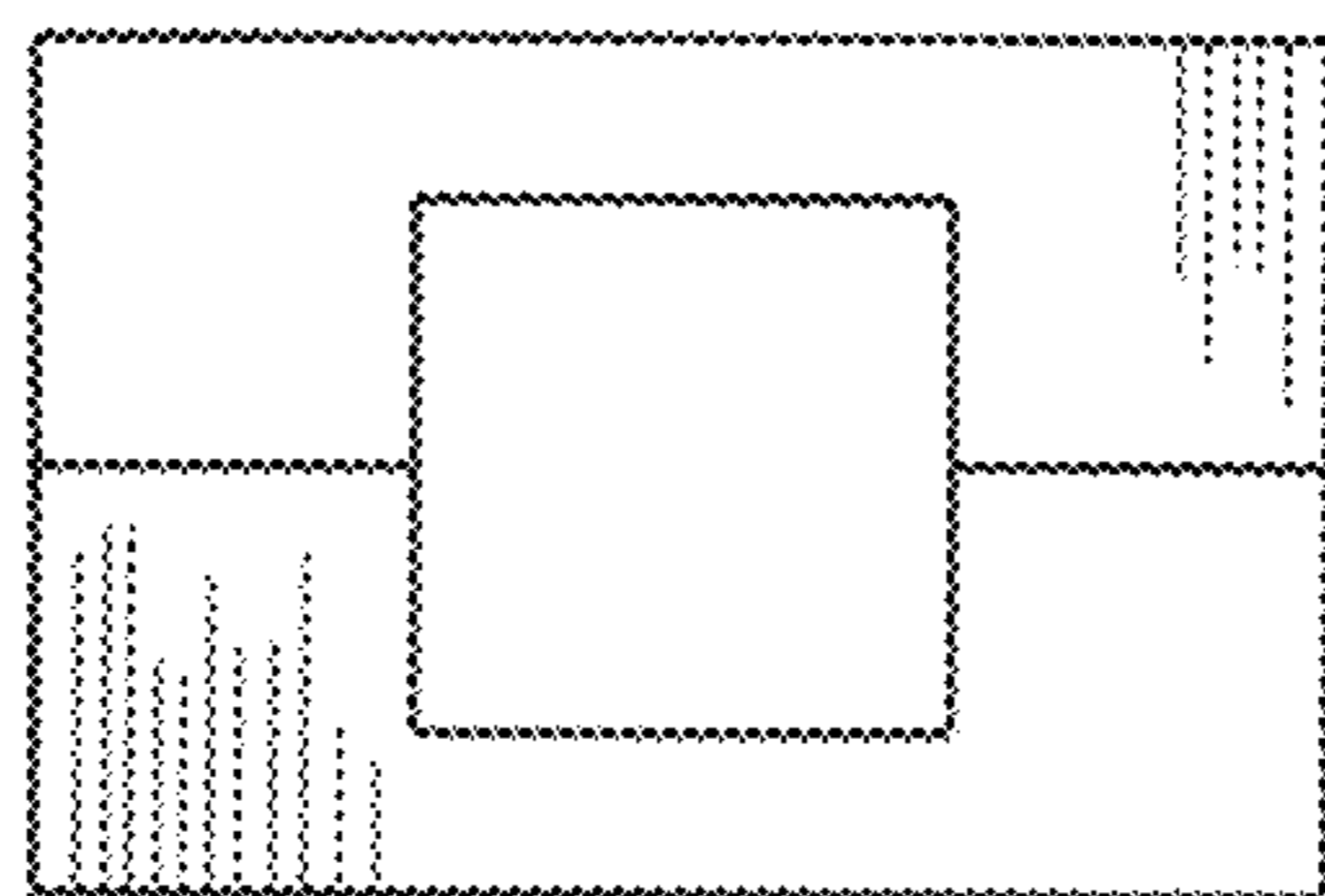


Fig 6