



US00D738512S

(12) **United States Design Patent**  
**Coreil**

(10) **Patent No.:** **US D738,512 S**

(45) **Date of Patent:** **\*\* Sep. 8, 2015**

(54) **ORTHODONTIC BRACKET**

(71) Applicant: **Mark Neil Coreil**, Houma, LA (US)

(72) Inventor: **Mark Neil Coreil**, Houma, LA (US)

(\*\*) Term: **14 Years**

(21) Appl. No.: **29/494,594**

(22) Filed: **Jun. 23, 2014**

(51) **LOC (10) Cl.** ..... **24-99**

(52) **U.S. Cl.**  
USPC ..... **D24/180**

(58) **Field of Classification Search**  
USPC ..... D24/180-182, 155-156, 176; 433/2,  
433/8-18  
CPC ..... A61C 7/12; A61C 7/14; A61C 7/00;  
A61C 7/145; A61C 7/282; A61C 7/141;  
A61C 7/34; A61C 7/287  
See application file for complete search history.

(56) **References Cited**

**U.S. PATENT DOCUMENTS**

D318,528 S *	7/1991	Bjork et al.	.....	D24/180
D331,974 S *	12/1992	Bjork et al.	.....	D24/180
5,169,311 A *	12/1992	Lee	.....	433/14
5,993,206 A *	11/1999	Andreiko	.....	433/9
6,247,923 B1 *	6/2001	Vashi	.....	433/10

6,358,044 B1 *	3/2002	Andreiko	.....	433/9
D606,201 S *	12/2009	Lawrence	.....	D24/180
7,963,767 B2 *	6/2011	Lewis et al.	.....	433/10
8,920,164 B2 *	12/2014	Tamura et al.	.....	433/10
2014/0272752 A1 *	9/2014	Huang	.....	433/11
2015/0017596 A1 *	1/2015	Wong et al.	.....	433/9

\* cited by examiner

*Primary Examiner* — Wan Laymon

(74) *Attorney, Agent, or Firm* — Rodgers & Rodgers

(57) **CLAIM**

The ornamental design for an orthodontic bracket, as shown and described.

**DESCRIPTION**

FIG. 1 is a perspective view of an orthodontic bracket showing my new design in an orthodontic environment;  
FIG. 2 is an enlarged perspective view showing my new design;  
FIG. 3 is a front elevational view thereof;  
FIG. 4 is a left-side elevational view thereof;  
FIG. 5 is a top plan view thereof;  
FIG. 6 is a rear elevational view thereof;  
FIG. 7 is a right-side elevational view thereof; and,  
FIG. 8 is a bottom plan view thereof.  
The dashed lines are included for the purpose of illustrating environment and form no part of the claimed design.

**1 Claim, 3 Drawing Sheets**

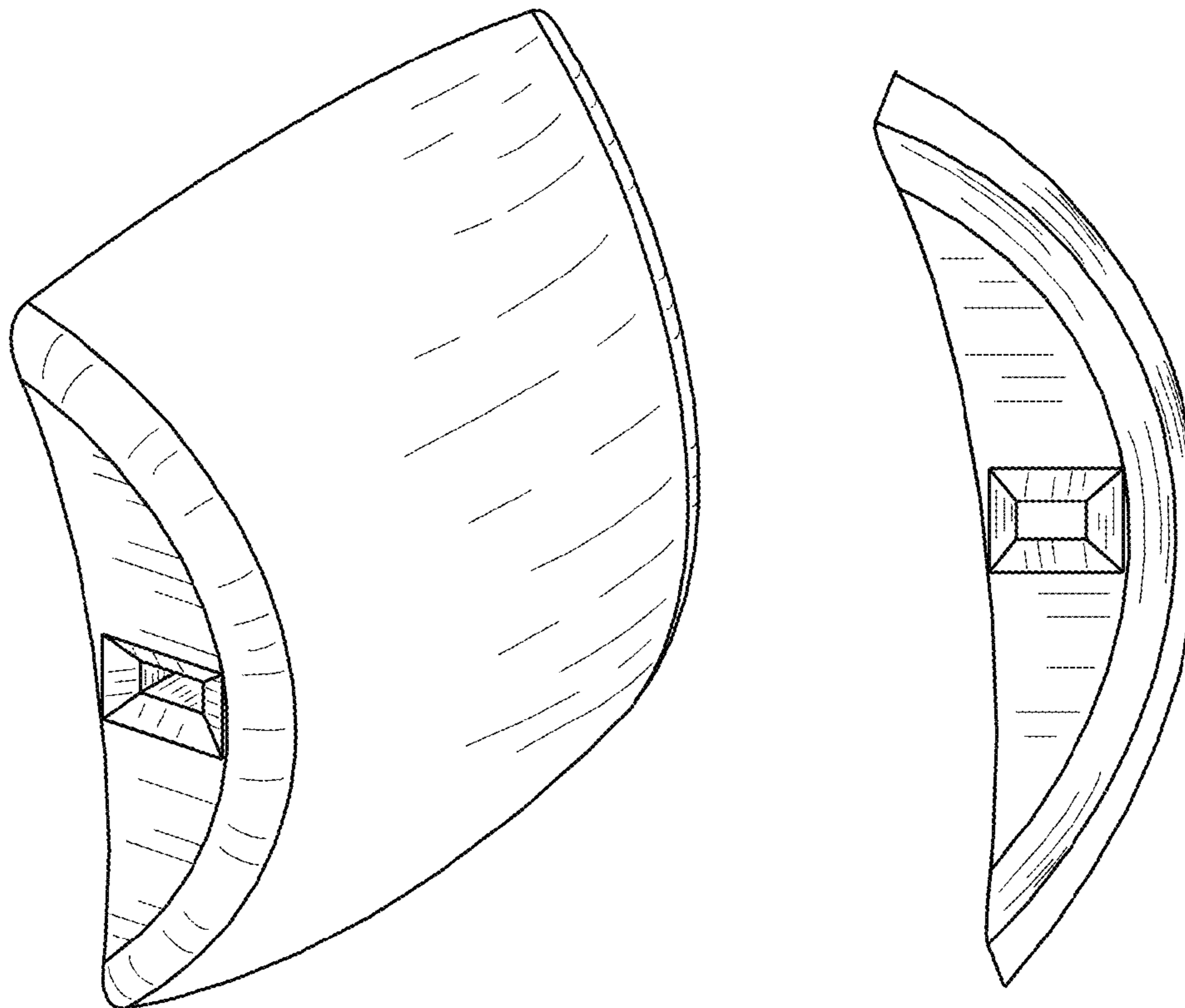


Fig 1

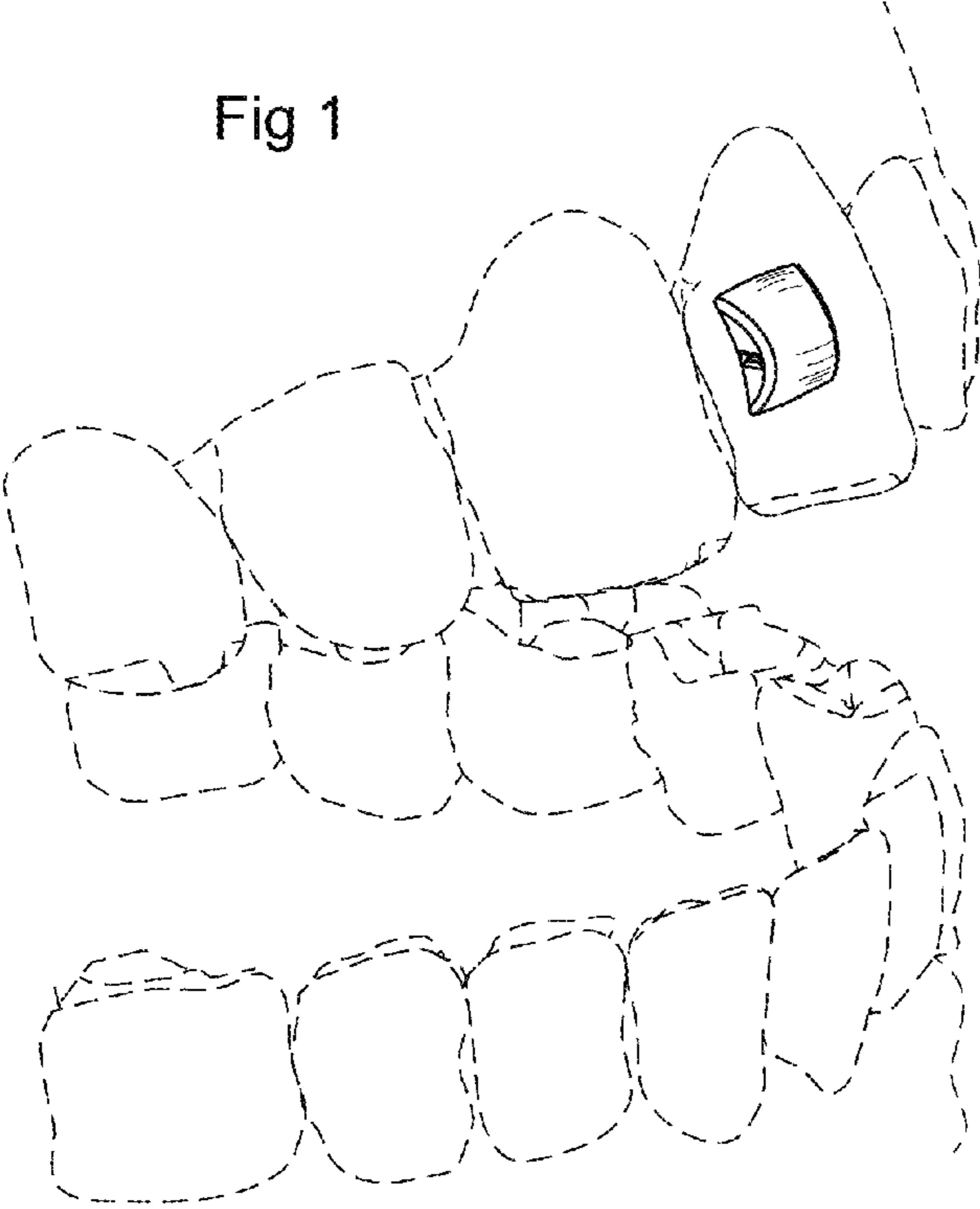


Fig 2

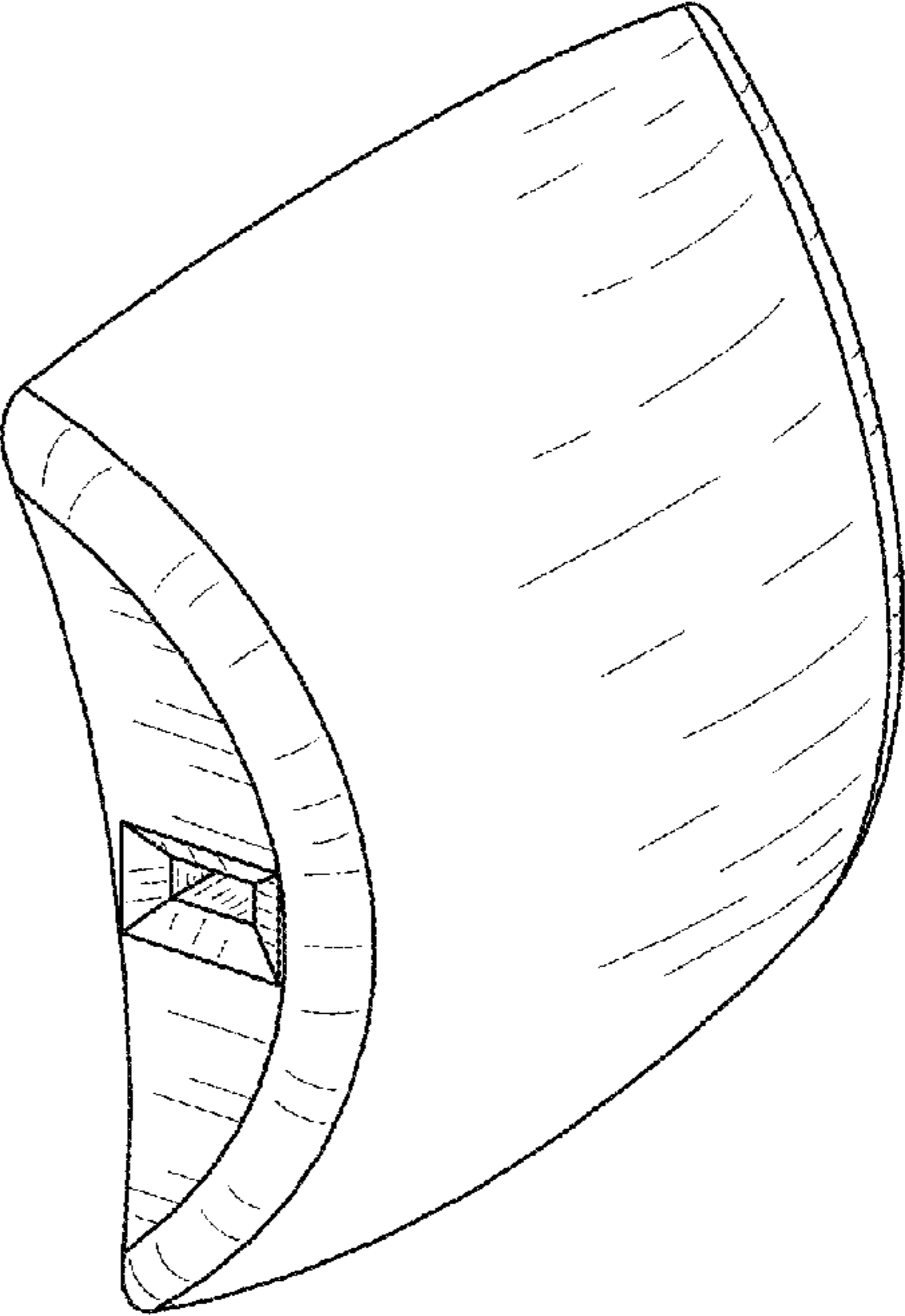


Fig 3

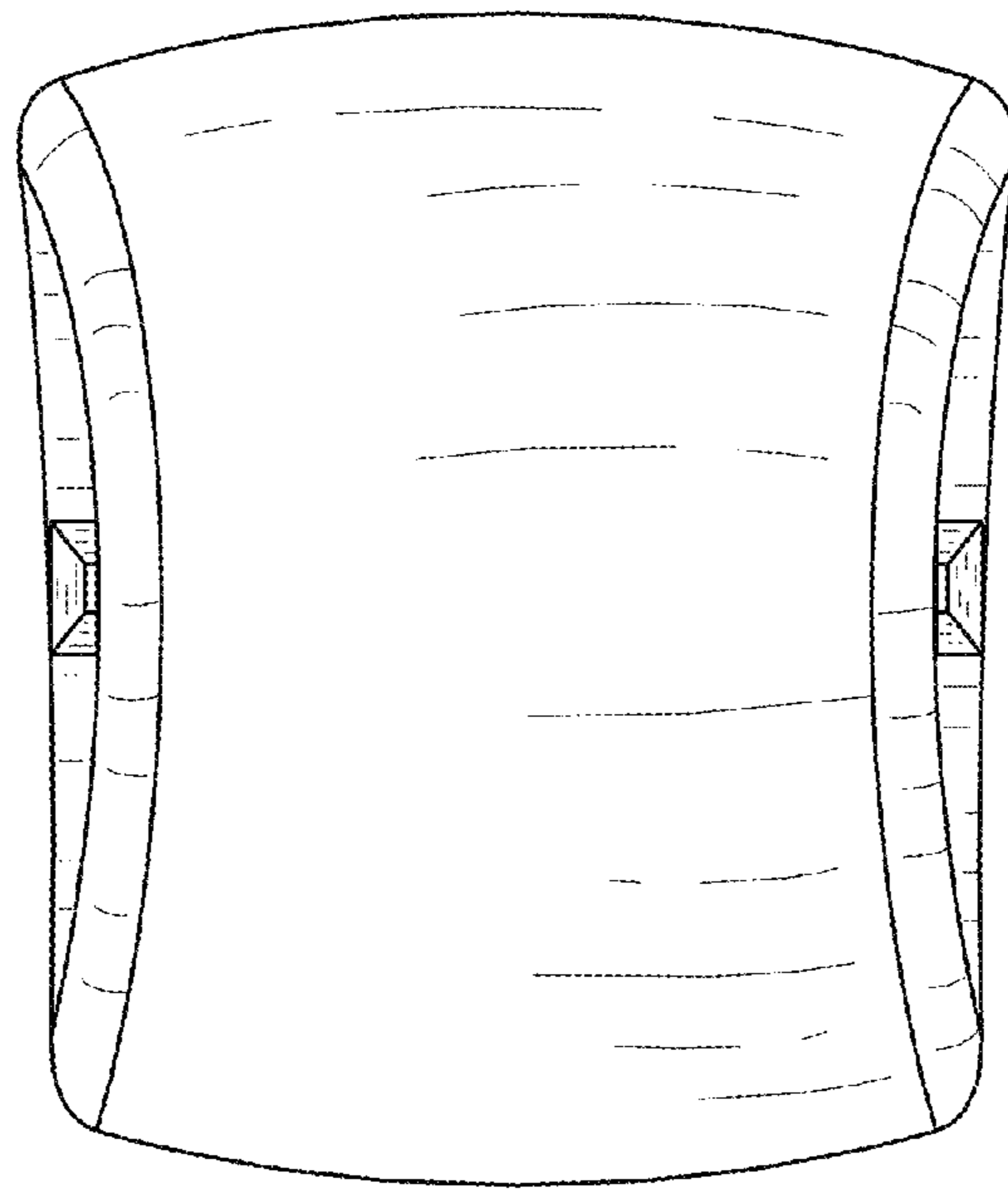


Fig 4

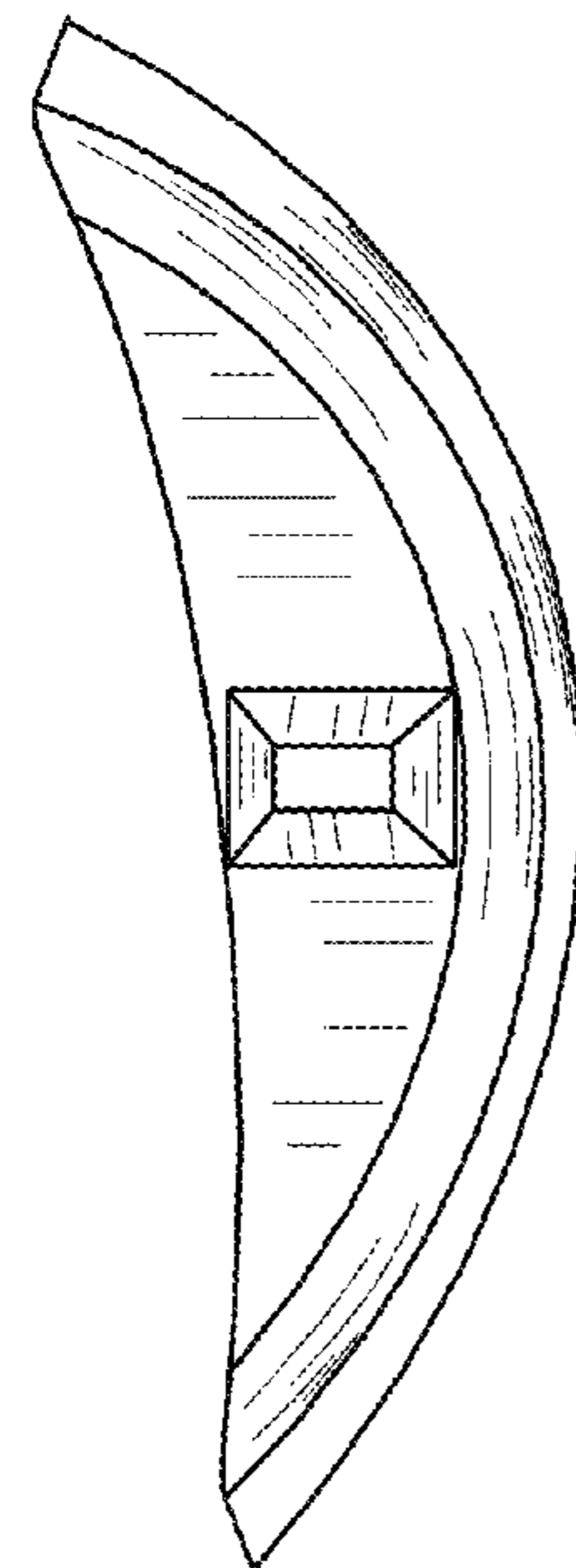


Fig 5

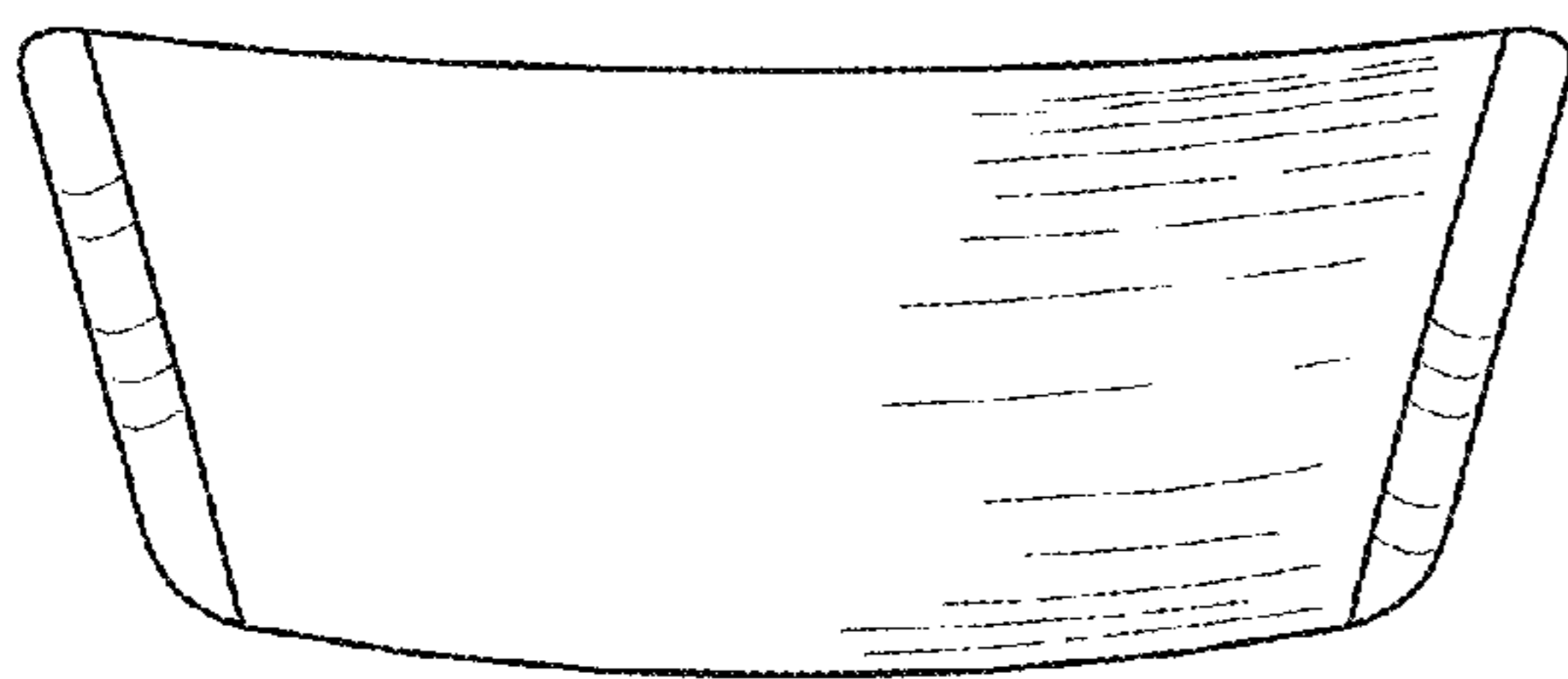


Fig 6

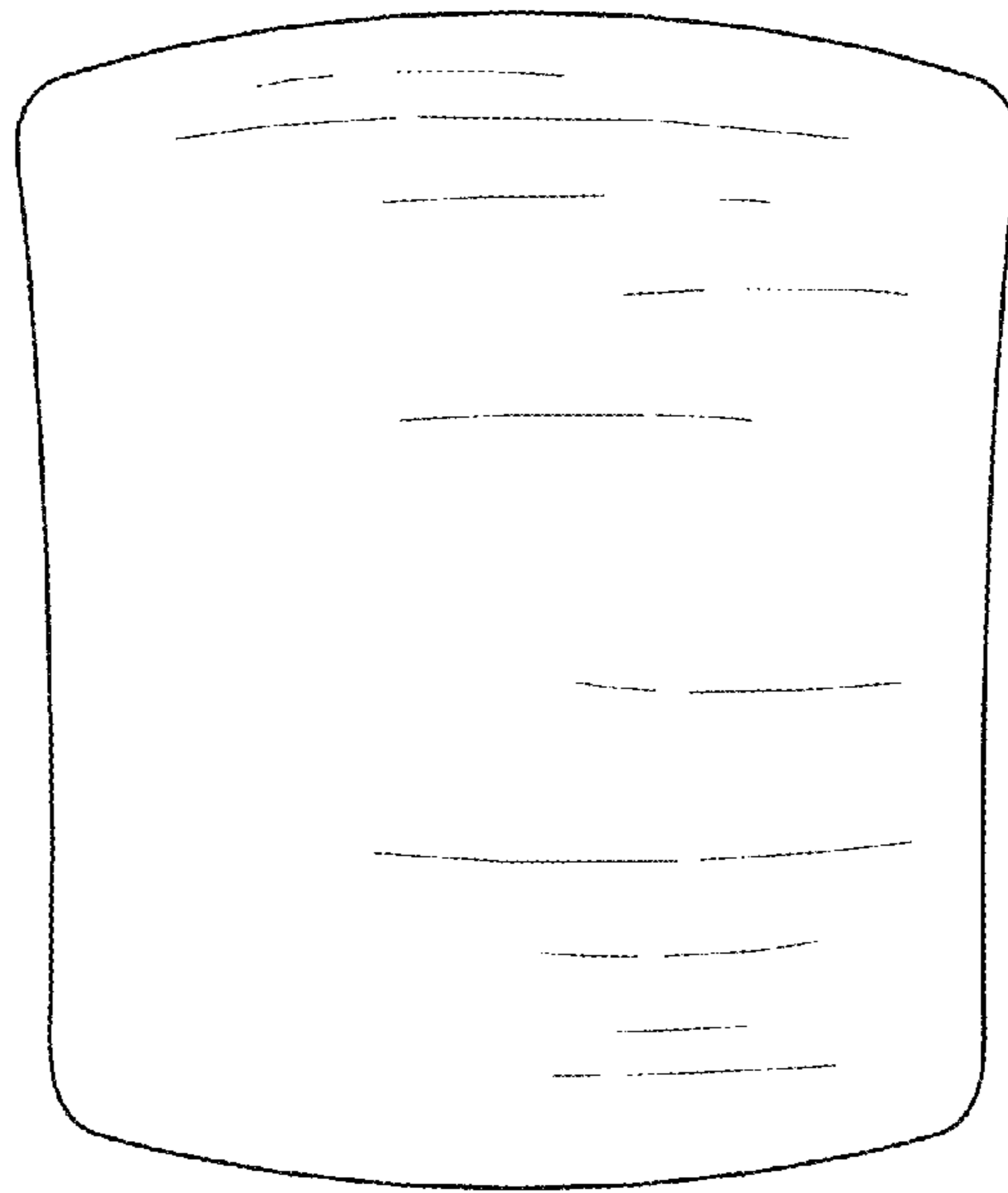


Fig 7

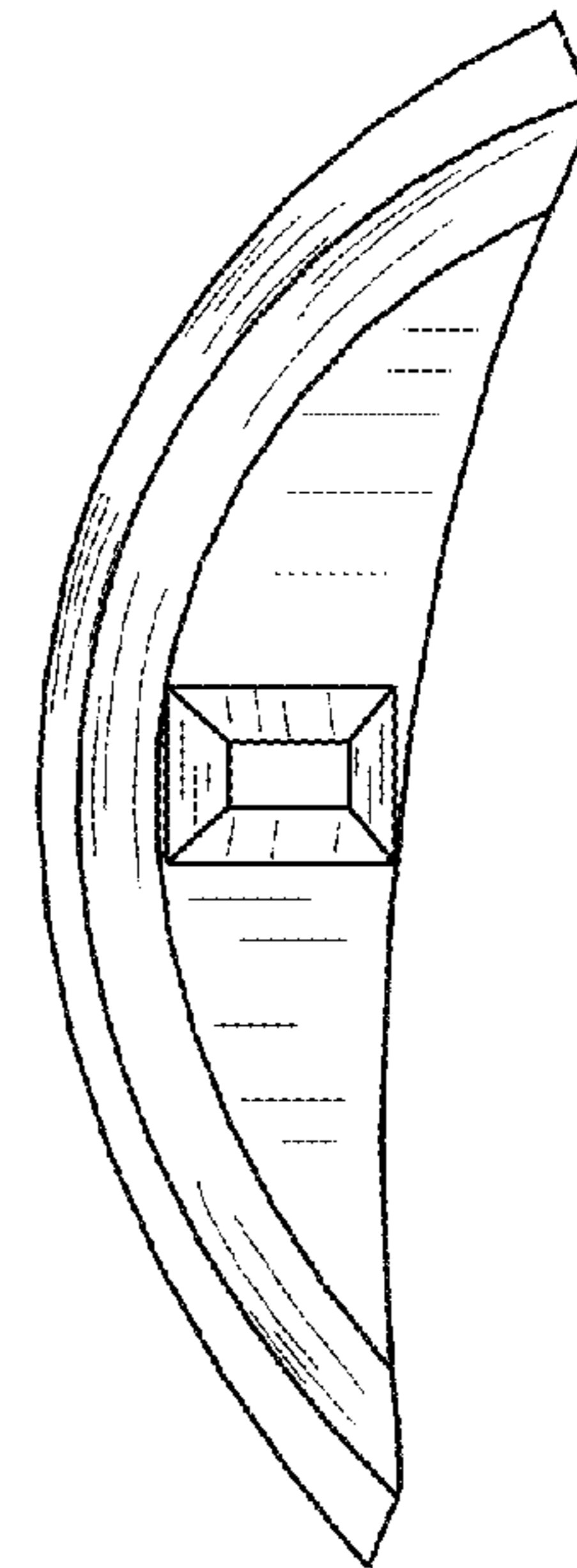


Fig 8

