



US00D738511S

(12) **United States Design Patent**
Bedford et al.

(10) **Patent No.:** **US D738,511 S**
(45) **Date of Patent:** **** Sep. 8, 2015**

(54) **ADJUSTABLE ANCHOR FOR DENTAL APPLIANCES**

DESCRIPTION

(71) Applicant: **SomnoMed Limited**, New South Wales (AU)

(72) Inventors: **Christopher Russell Bedford**, Rozelle New South Wales (AU); **Joshua Luke Meier**, Hornsby (AU); **Wataru Obuchi**, Maroubra (AU)

(73) Assignee: **SomnoMed Limited**, Crows Nest (AU)

(**) Term: **14 Years**

(21) Appl. No.: **29/491,139**

(22) Filed: **May 16, 2014**

(51) **LOC (10) Cl.** **24-01**

(52) **U.S. Cl.**
USPC **D24/176**

(58) **Field of Classification Search**
USPC D24/176-178, 182, 133, 140, 152, 156;
433/72-75, 141, 162, 142, 157, 225
CPC A61C 11/08; A61C 19/00; A61C 3/00;
A61C 5/005; A61C 1/082; A61C 8/0066;
A61C 13/1009
See application file for complete search history.

(56) **References Cited**

U.S. PATENT DOCUMENTS

1,743,910	A *	1/1930	Boatner	433/225
4,260,383	A *	4/1981	Weissman	433/225
4,778,389	A *	10/1988	Salvo	433/225
5,322,437	A *	6/1994	Hunter	433/72
5,486,109	A *	1/1996	Hunter et al.	433/72
D725,783	S *	3/2015	Bedford et al.	D24/176

* cited by examiner

Primary Examiner — Wan Laymon

(74) *Attorney, Agent, or Firm* — Banner & Witcoff, Ltd.

(57) **CLAIM**

The ornamental design for an adjustable anchor for dental appliances, as shown and described.

FIG. 1 is a front perspective view of a first embodiment of an adjustable anchor for dental appliances showing our new design;

FIG. 2 is a rear perspective view thereof;

FIG. 3 is a front view thereof;

FIG. 4 is a rear view thereof;

FIG. 5 is a right side view thereof;

FIG. 6 is a left side view thereof;

FIG. 7 is a top view thereof;

FIG. 8 is a bottom view thereof;

FIG. 9 is a front perspective view showing a variant of the embodiment of FIGS. 1-8 including disclaimed alignment indicia;

FIG. 10 is a rear perspective view thereof;

FIG. 11 is a front view thereof;

FIG. 12 is a rear view thereof;

FIG. 13 is a right side view thereof;

FIG. 14 is a left side view thereof;

FIG. 15 is a bottom view thereof;

FIG. 16 is a front perspective view of a second embodiment of an adjustable anchor for dental appliances which is a mirror image of the embodiment of FIGS. 1-8;

FIG. 17 is a rear perspective view thereof;

FIG. 18 is a front view thereof;

FIG. 19 is a rear view thereof;

FIG. 20 is a right side view thereof;

FIG. 21 is a left side view thereof;

FIG. 22 is a bottom view thereof;

FIG. 23 is a front perspective view showing a variant of the embodiment of FIGS. 16-22 including disclaimed alignment indicia;

FIG. 24 is a rear perspective view thereof;

FIG. 25 is a front view thereof;

FIG. 26 is a rear view thereof;

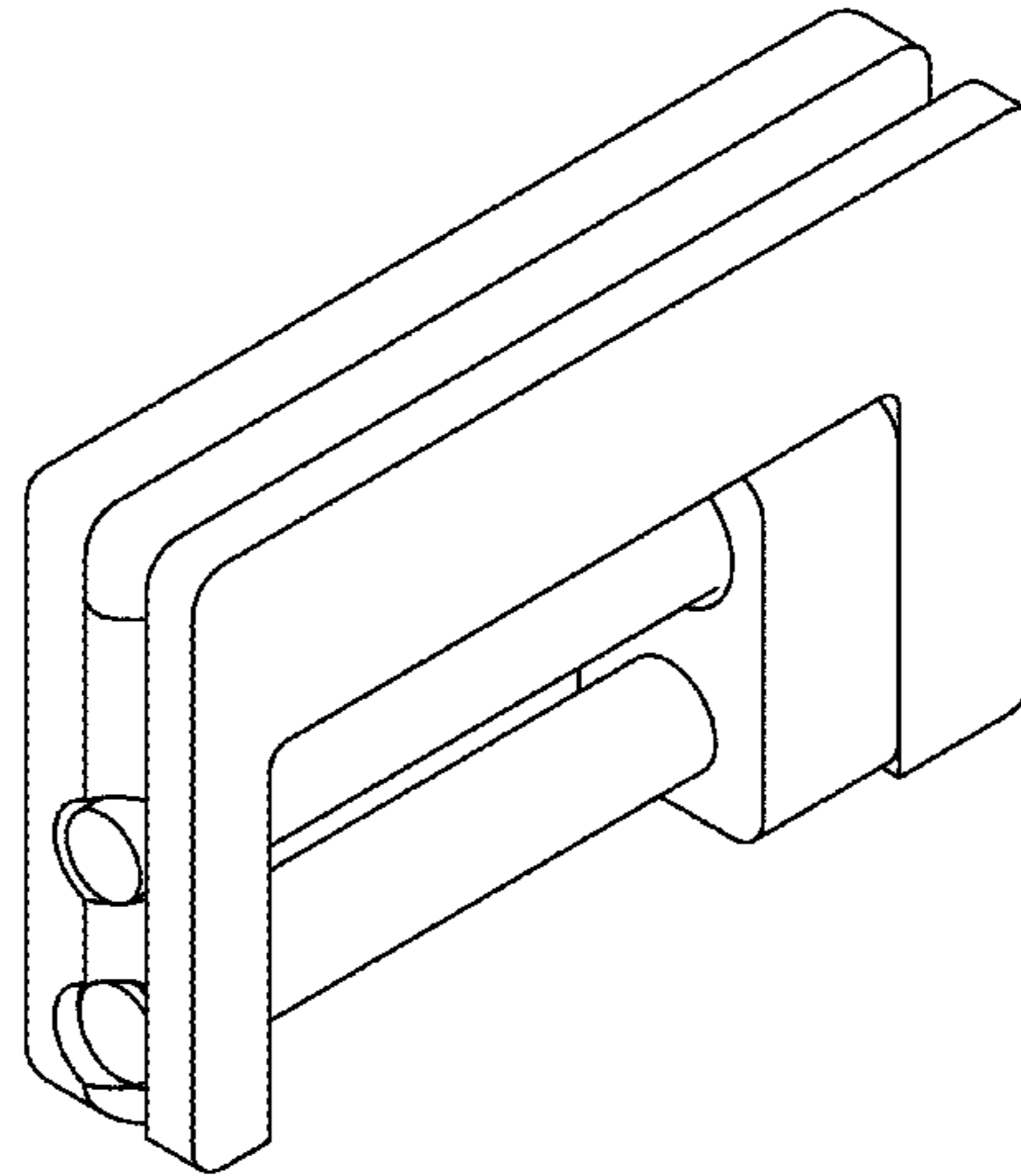
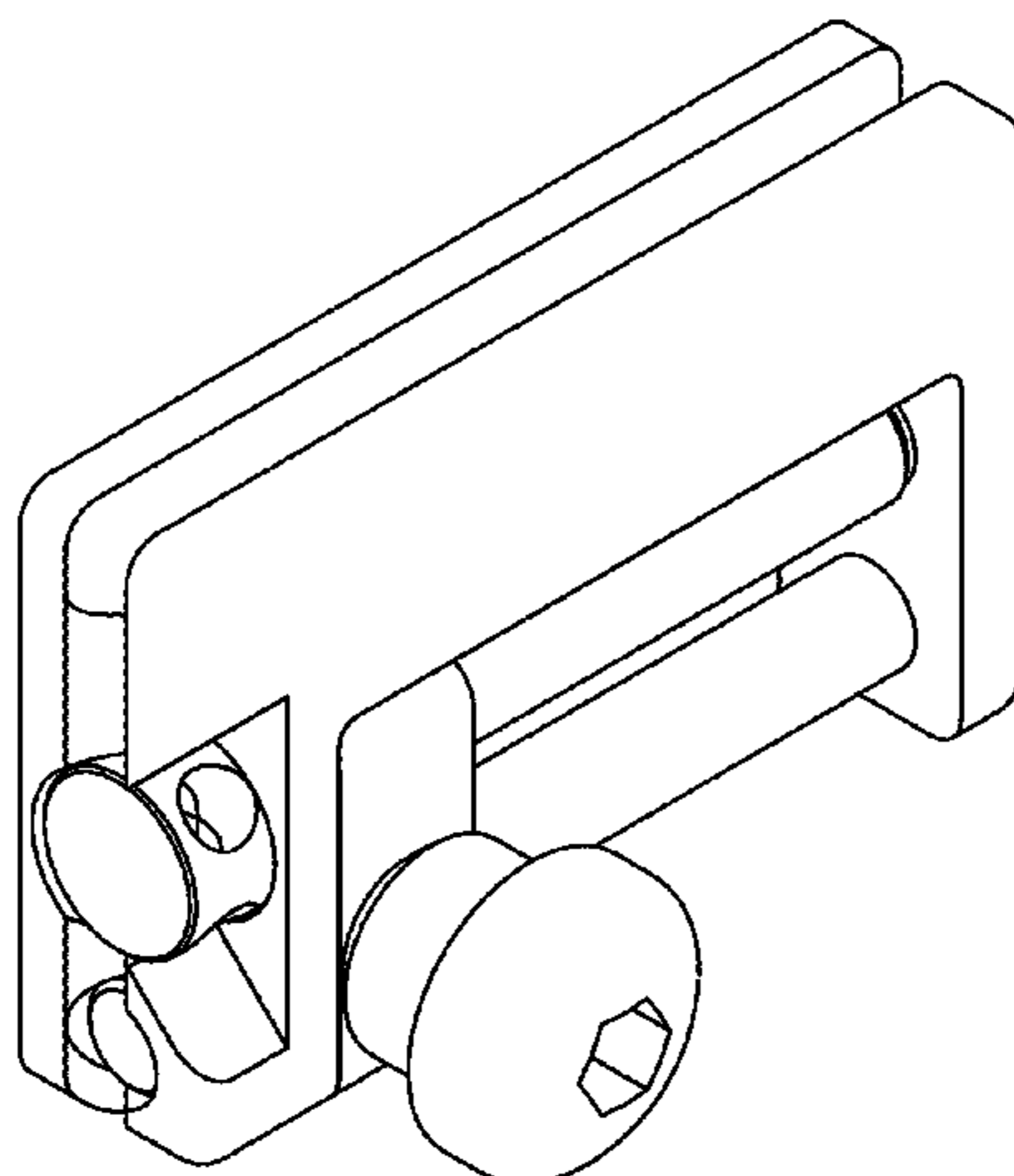
FIG. 27 is a right side view thereof;

FIG. 28 is a left side view thereof; and,

FIG. 29 is a bottom view thereof.

The broken lines shown in the figures are included for the purpose of illustrating portions of the adjustable anchor for dental appliances and form no part of the claimed design.

1 Claim, 15 Drawing Sheets



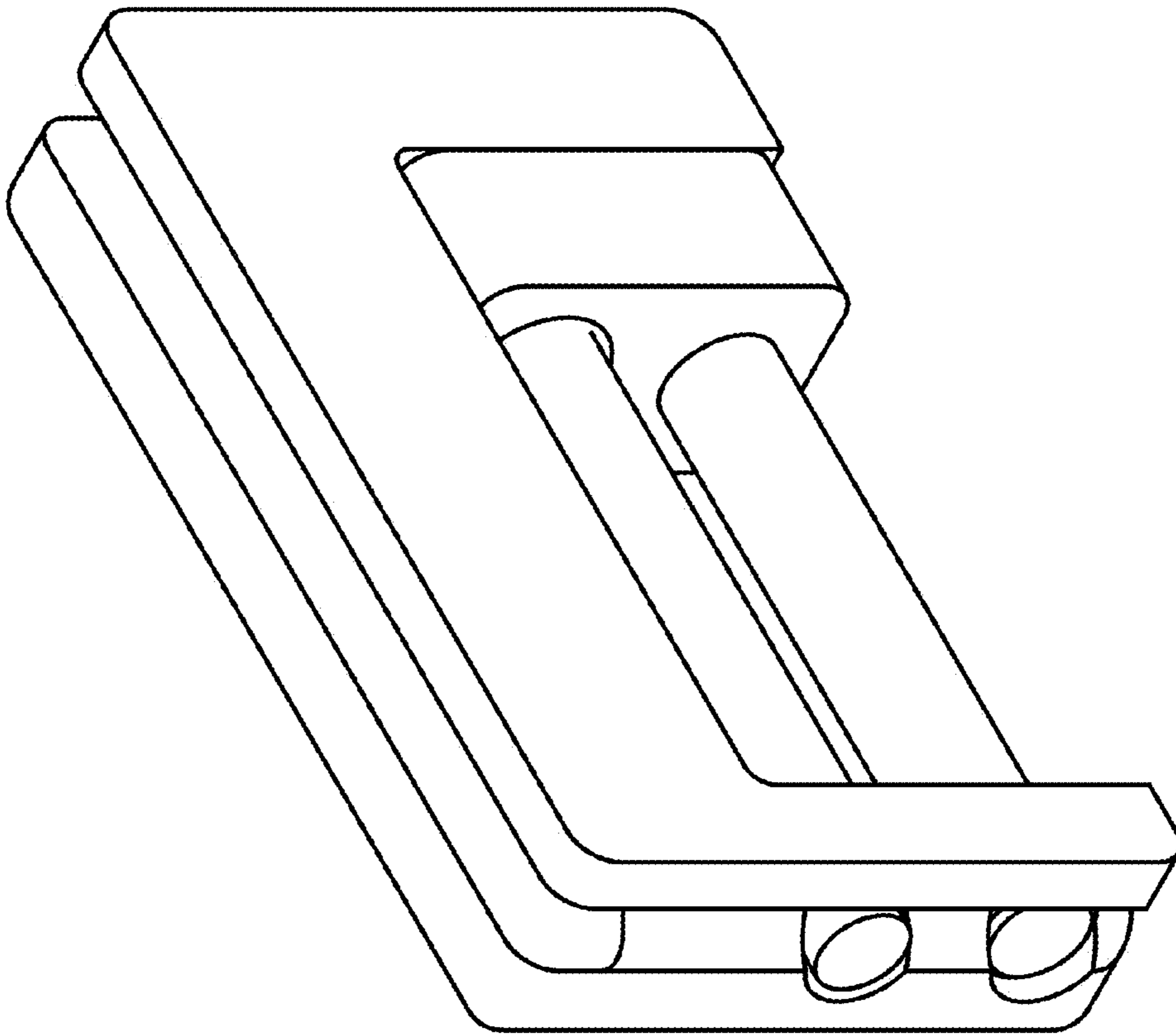


FIG. 2

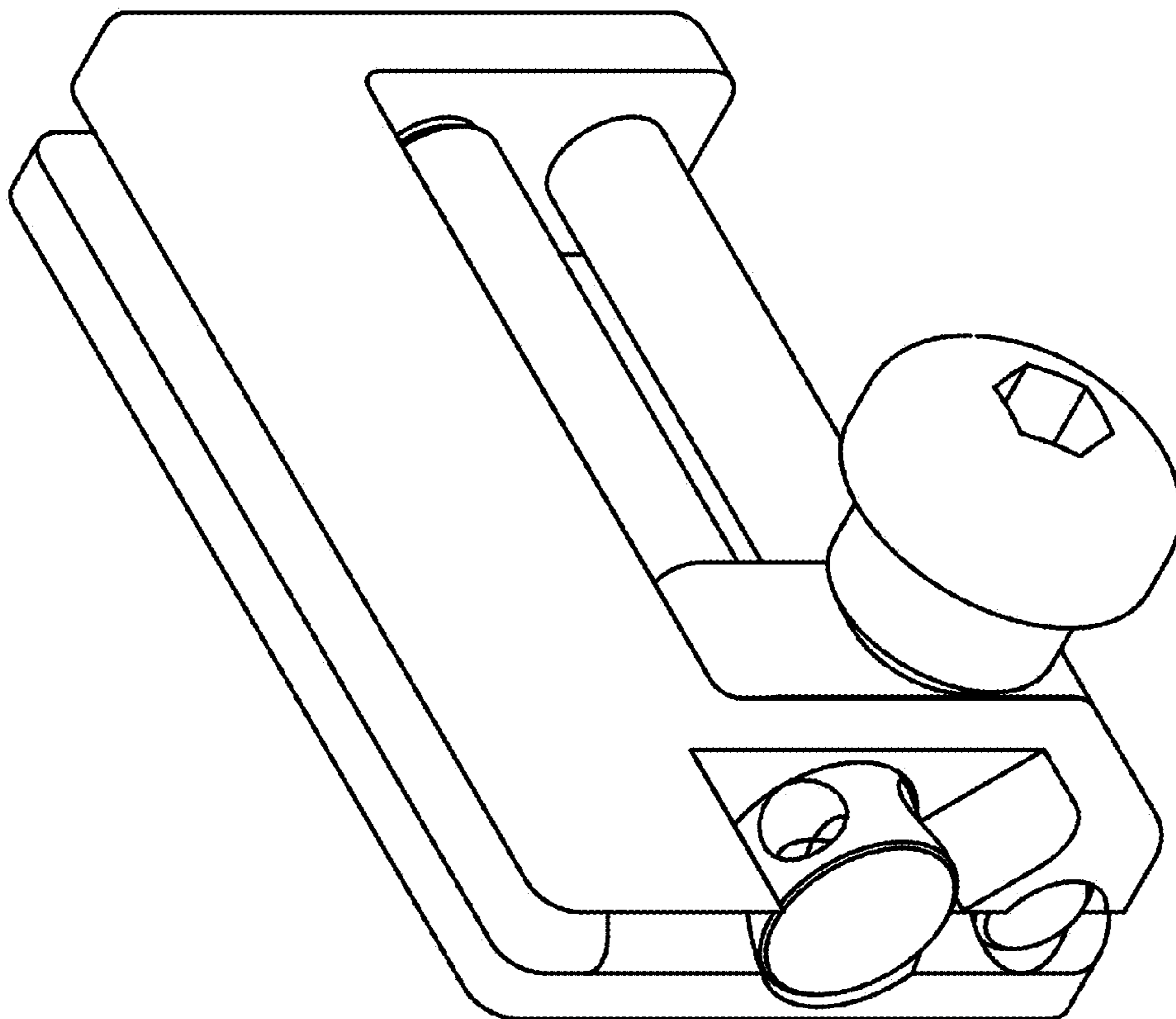


FIG. 1

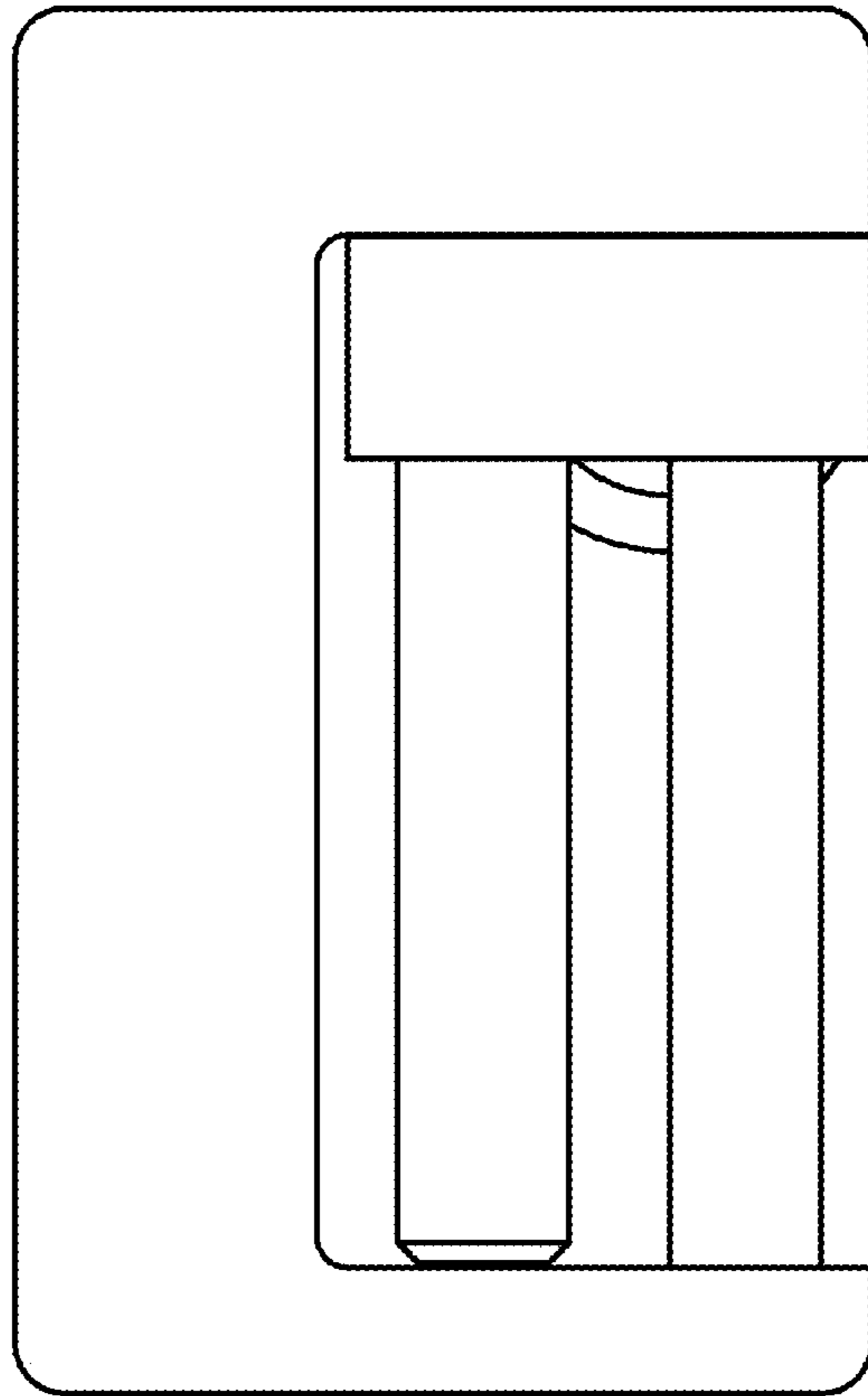


FIG. 4

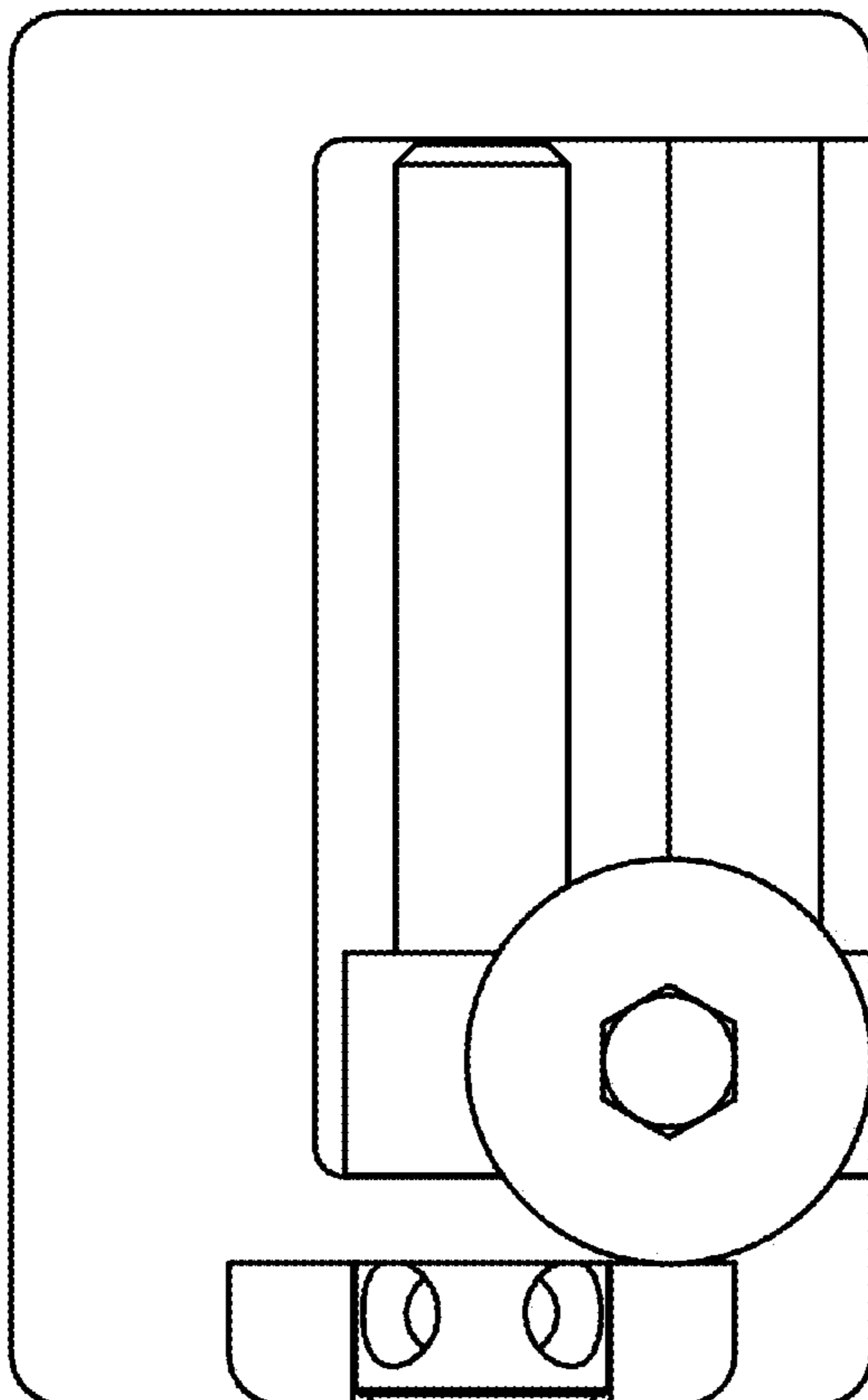


FIG. 3

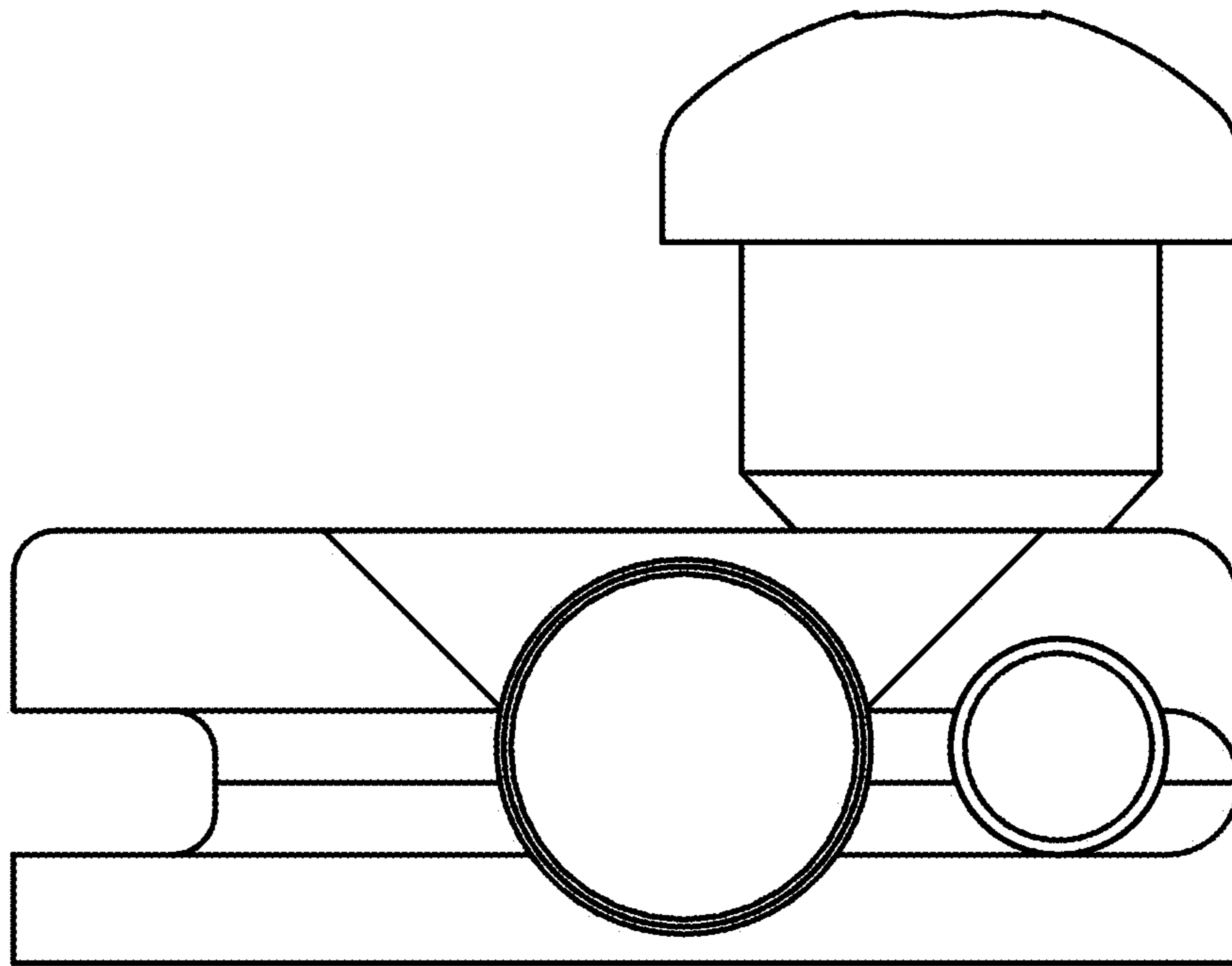


FIG. 6

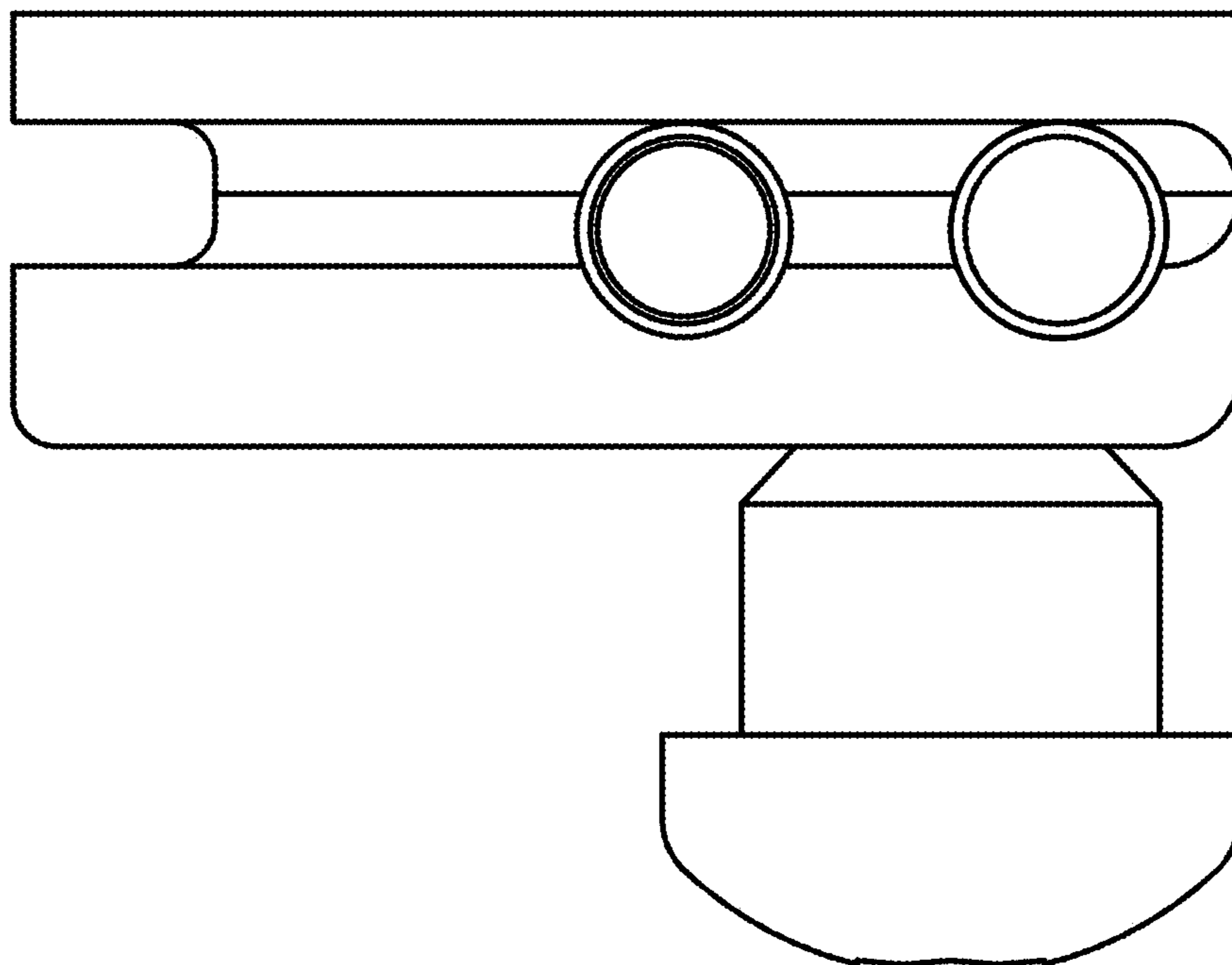


FIG. 5

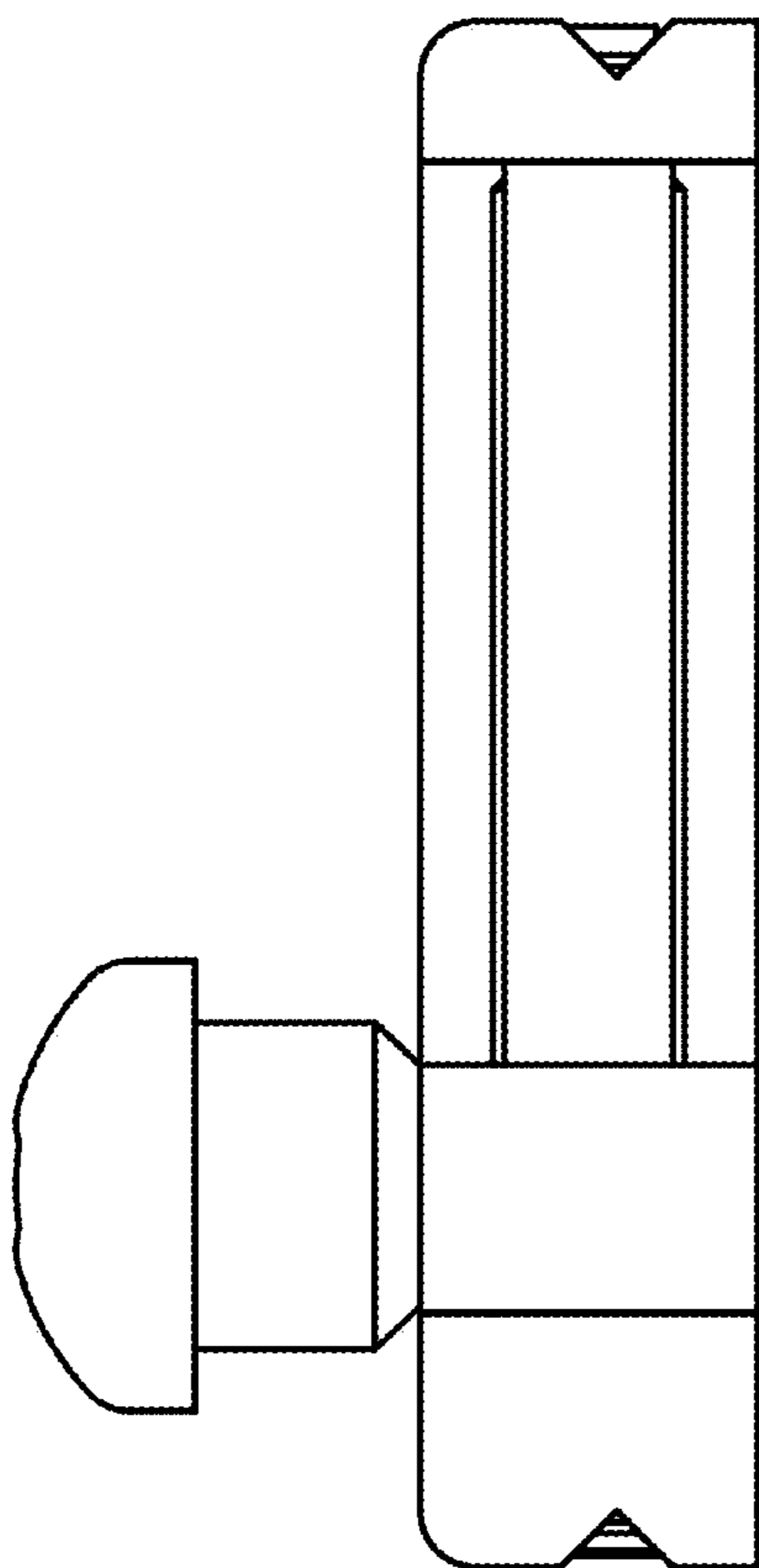


FIG. 8

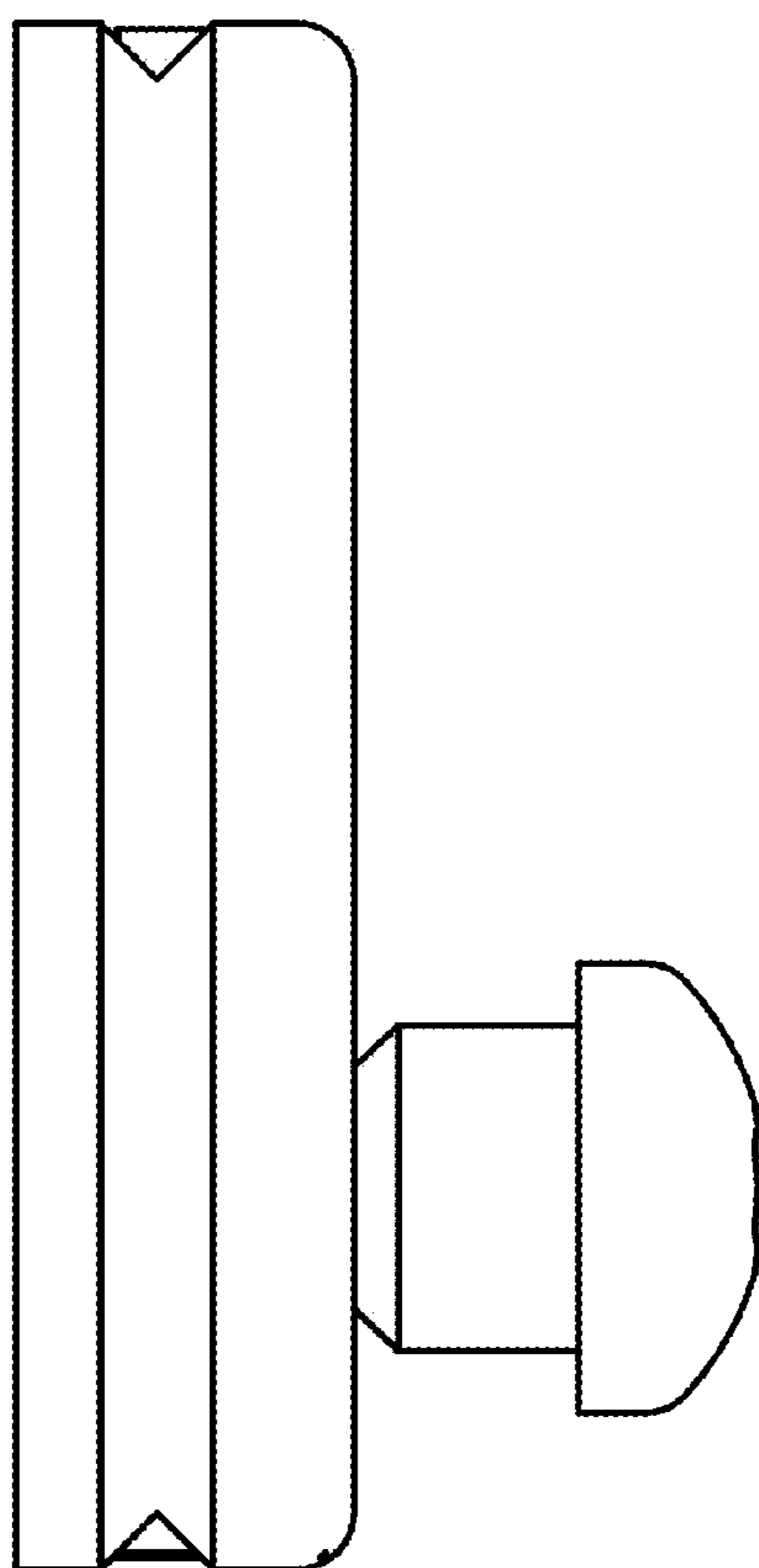


FIG. 7

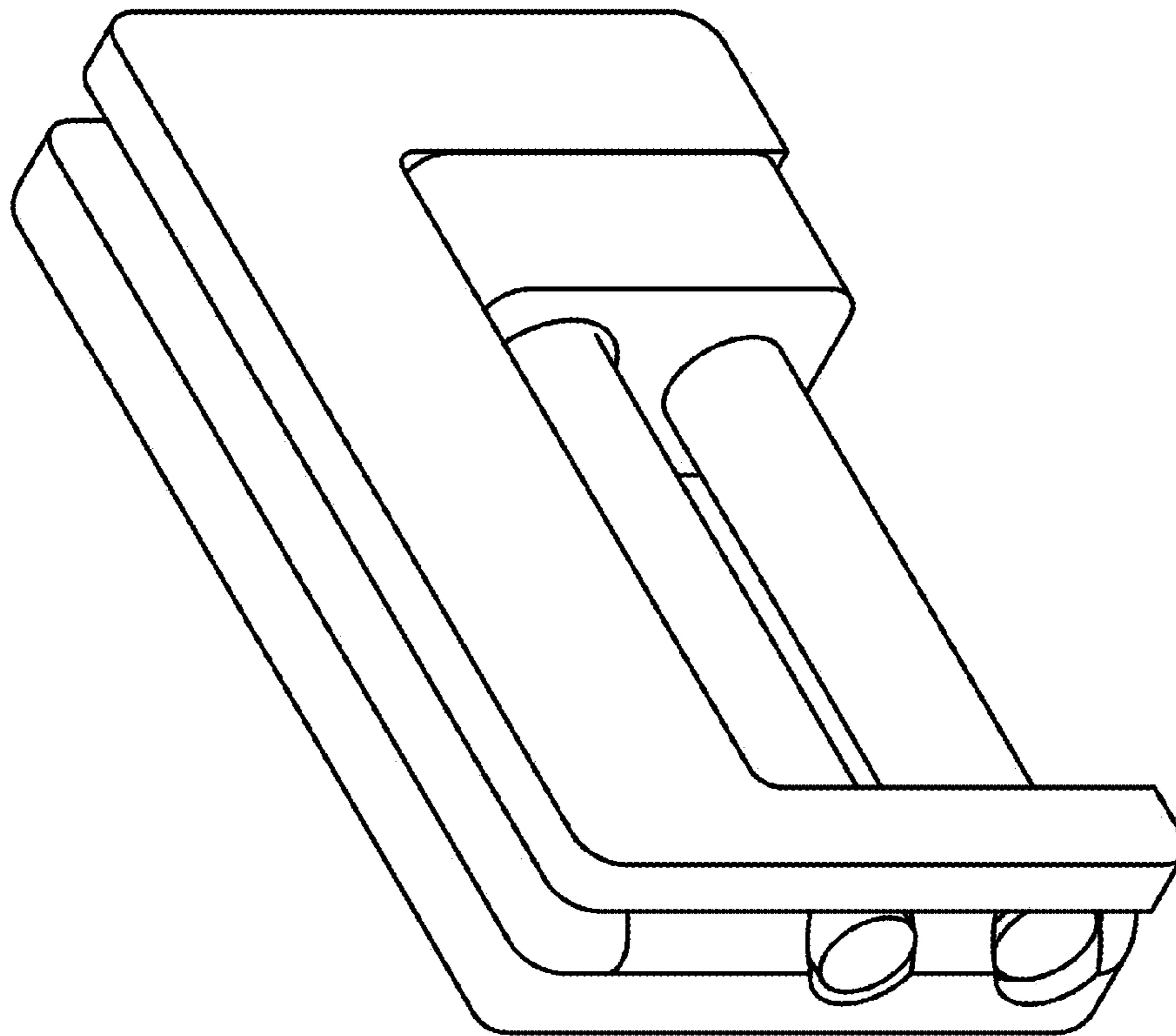


FIG. 10

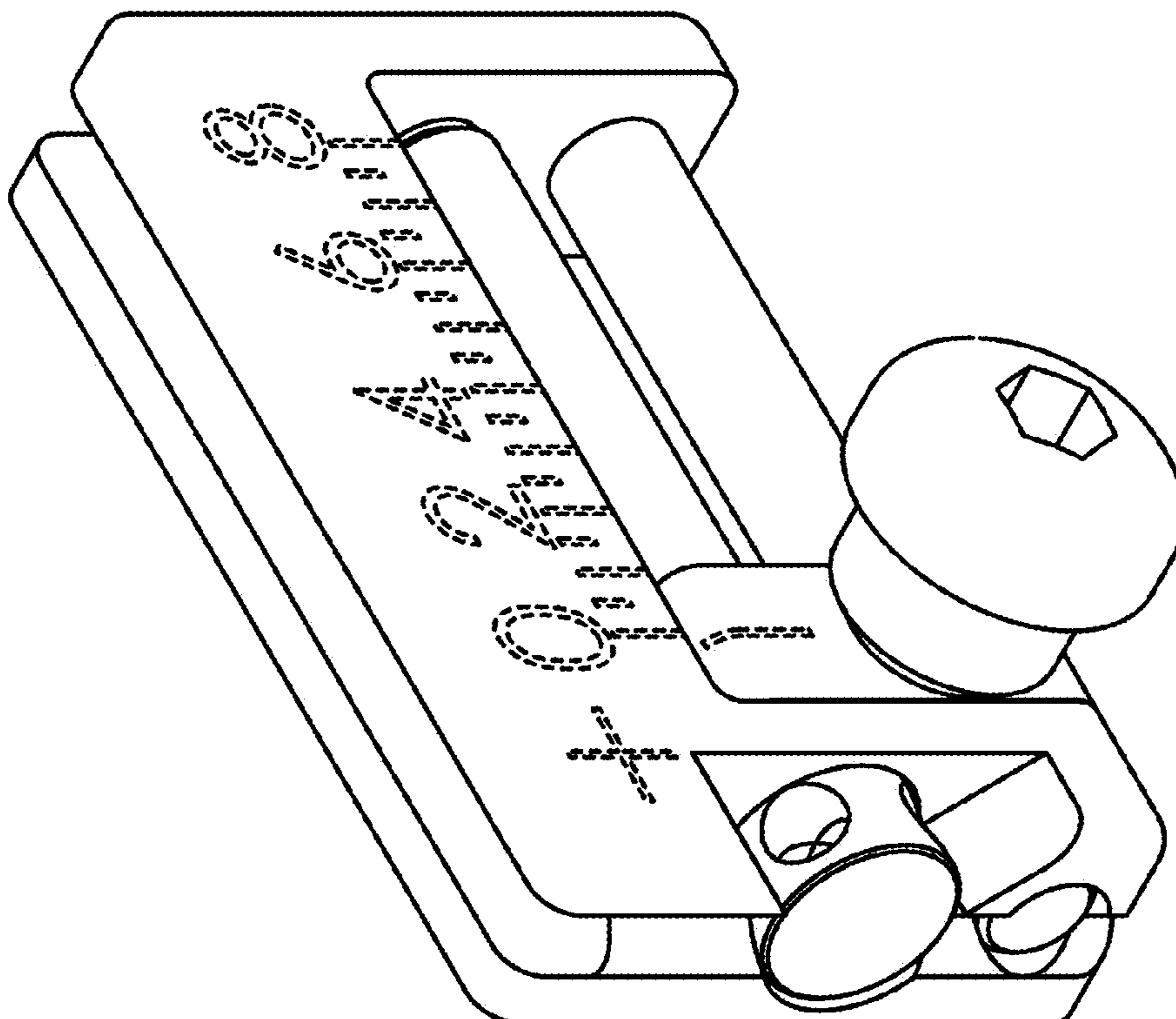


FIG. 9

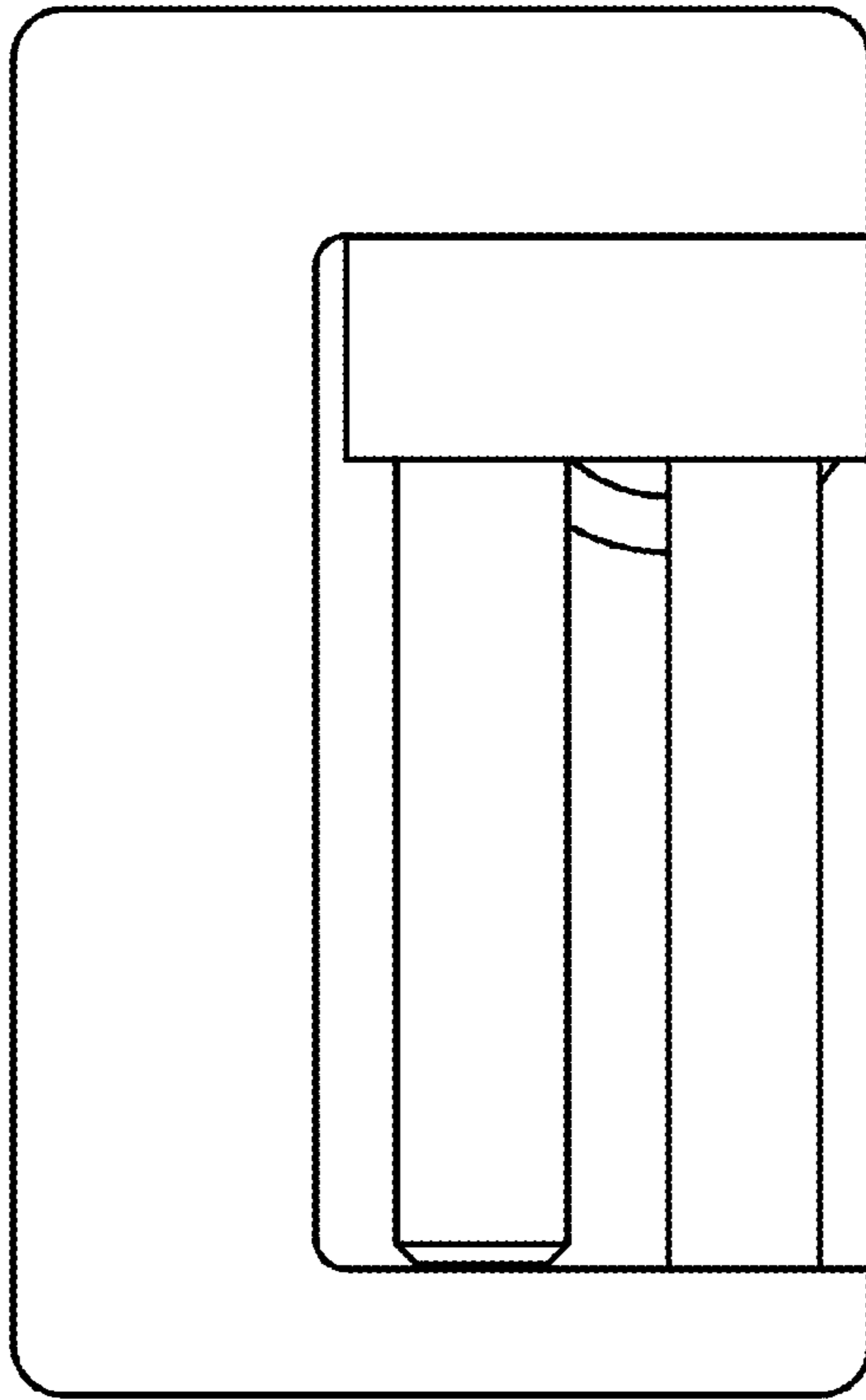


FIG. 12

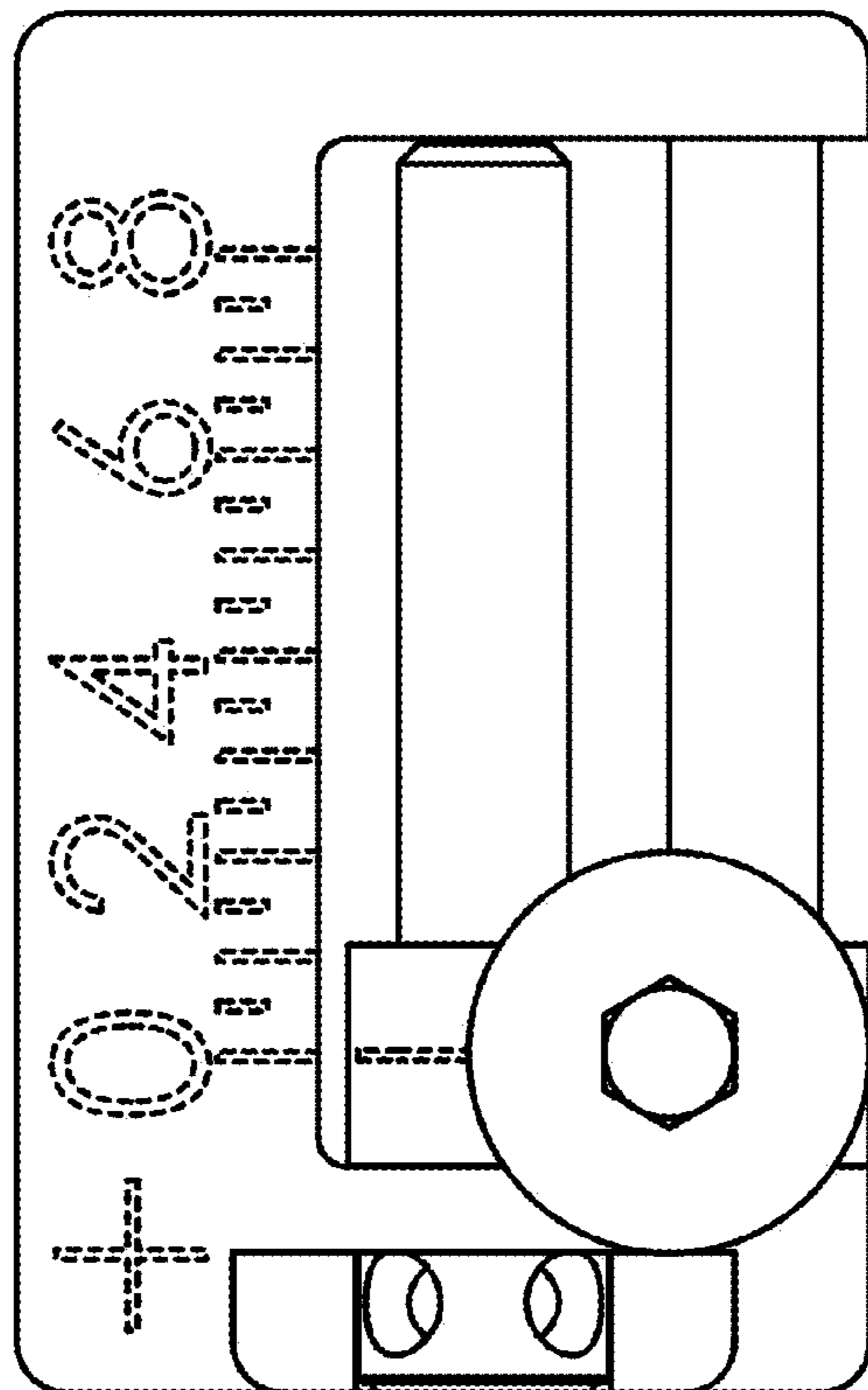


FIG. 11

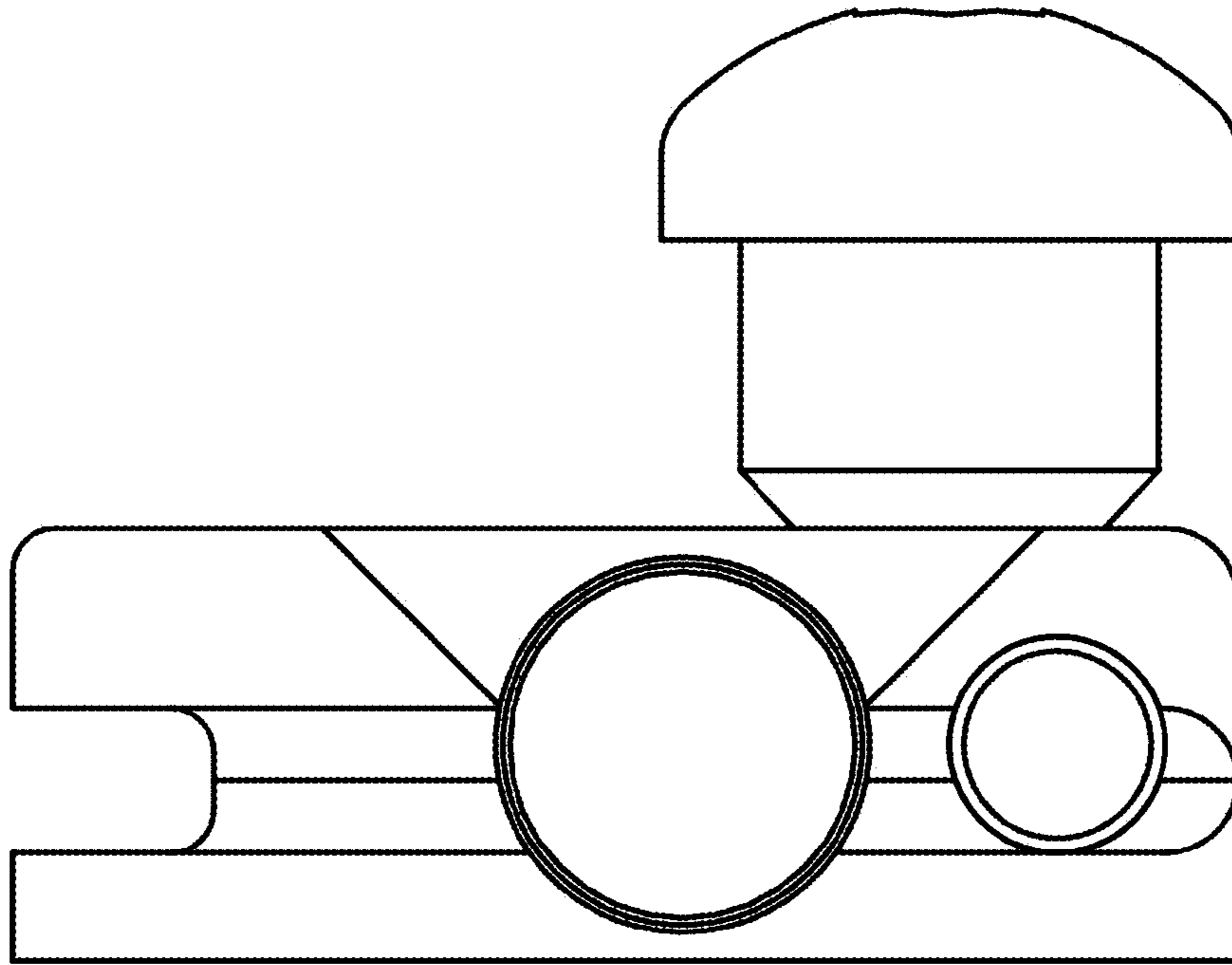


FIG. 14

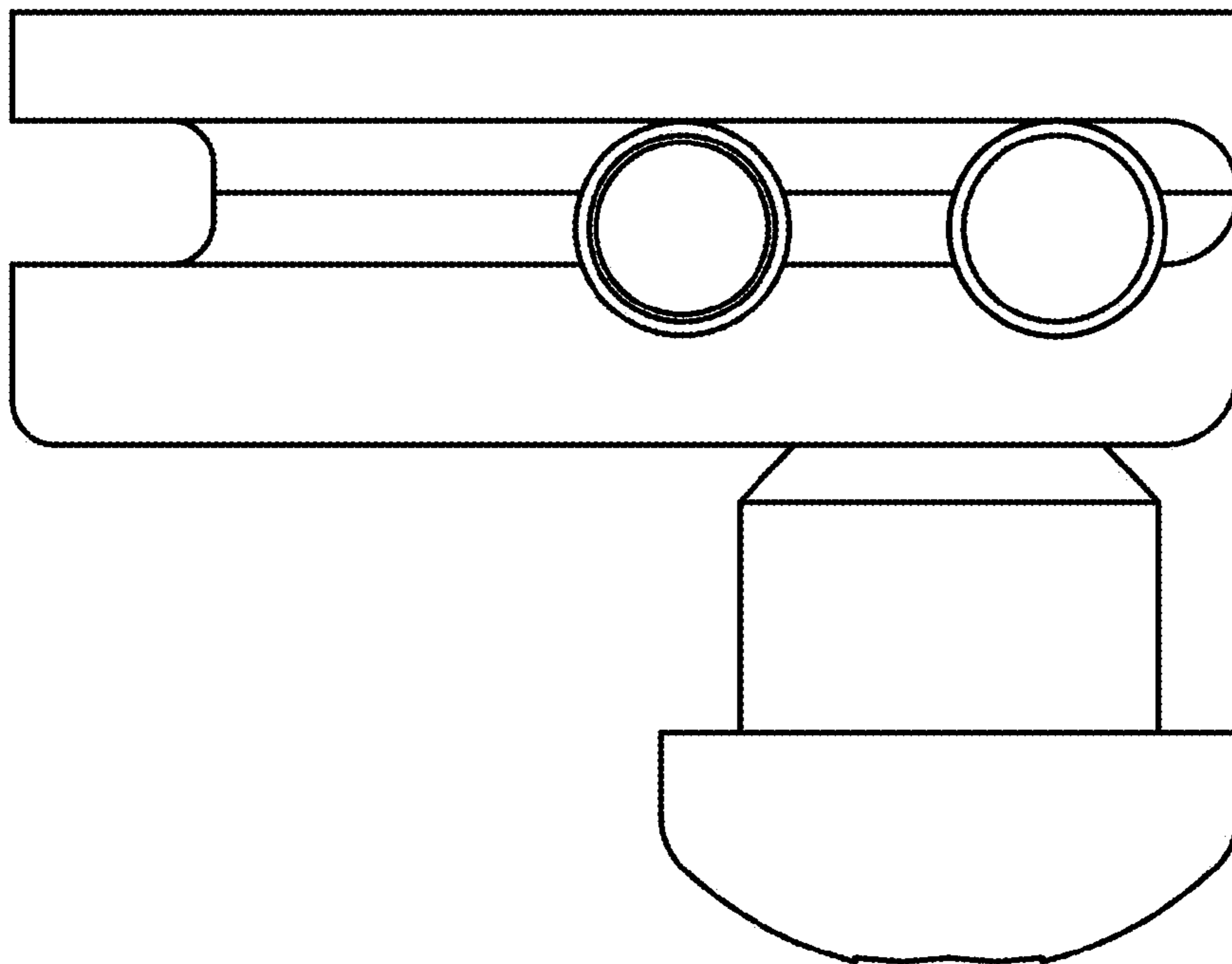


FIG. 13

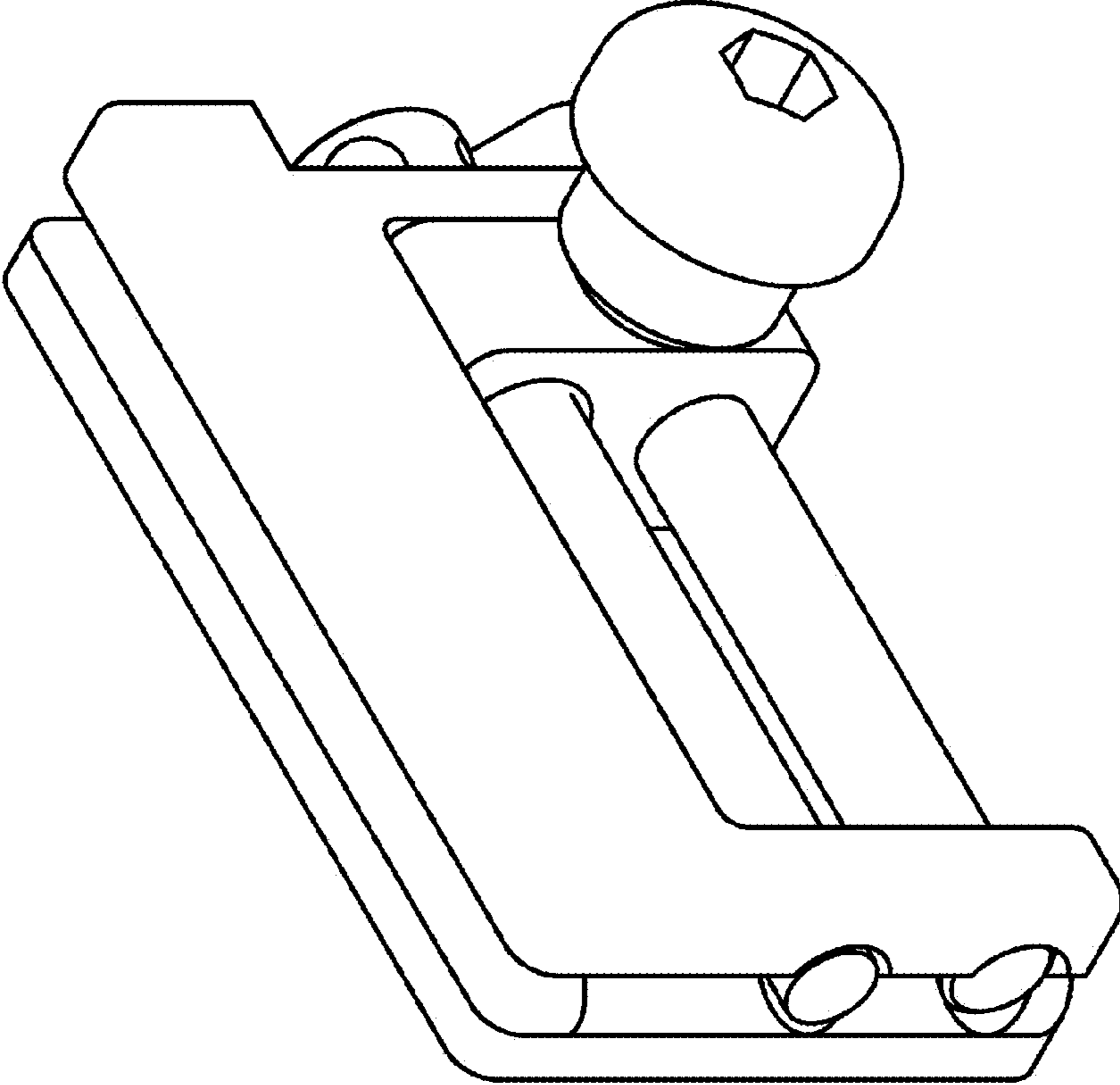


FIG. 16

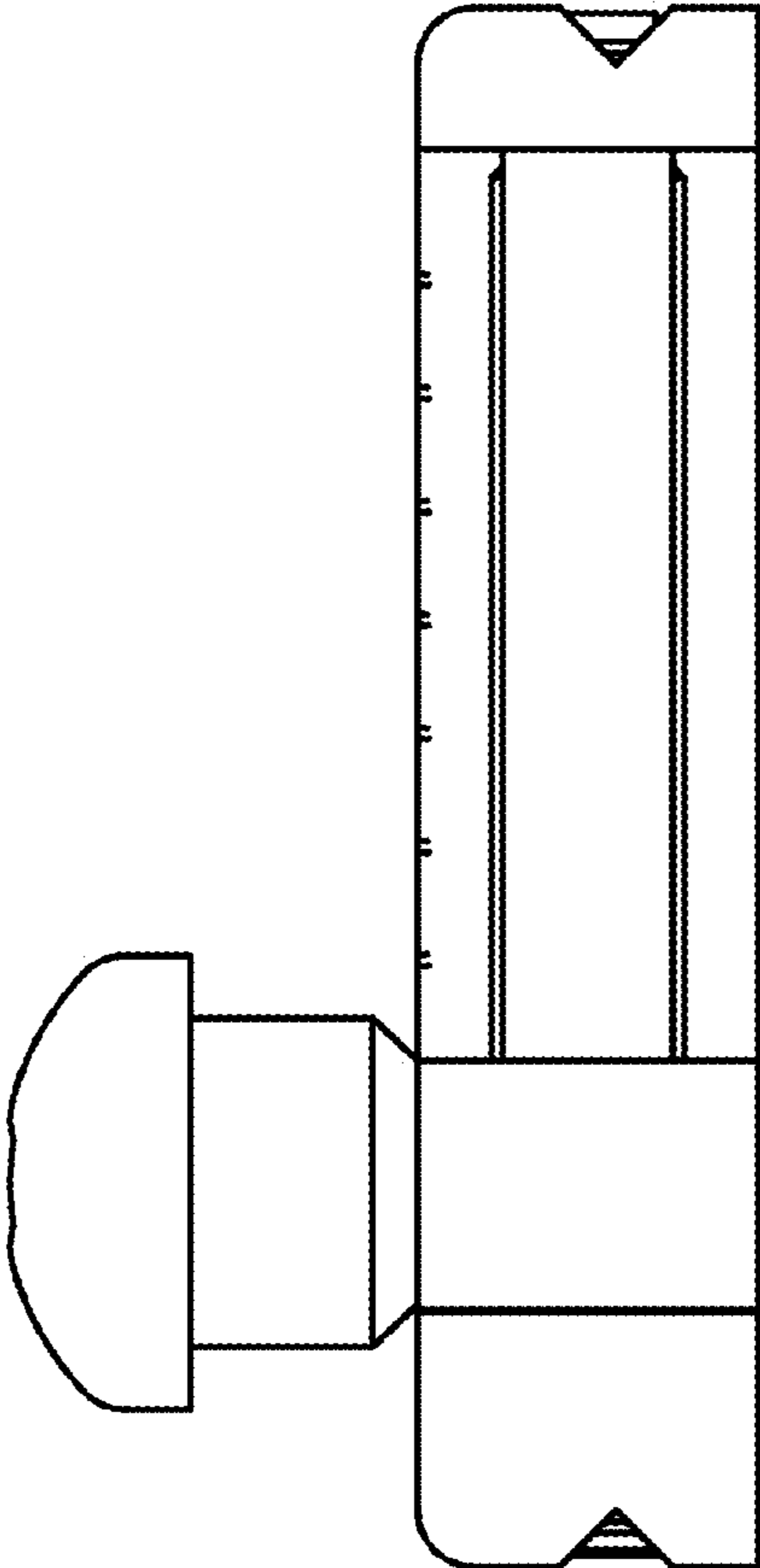


FIG. 15

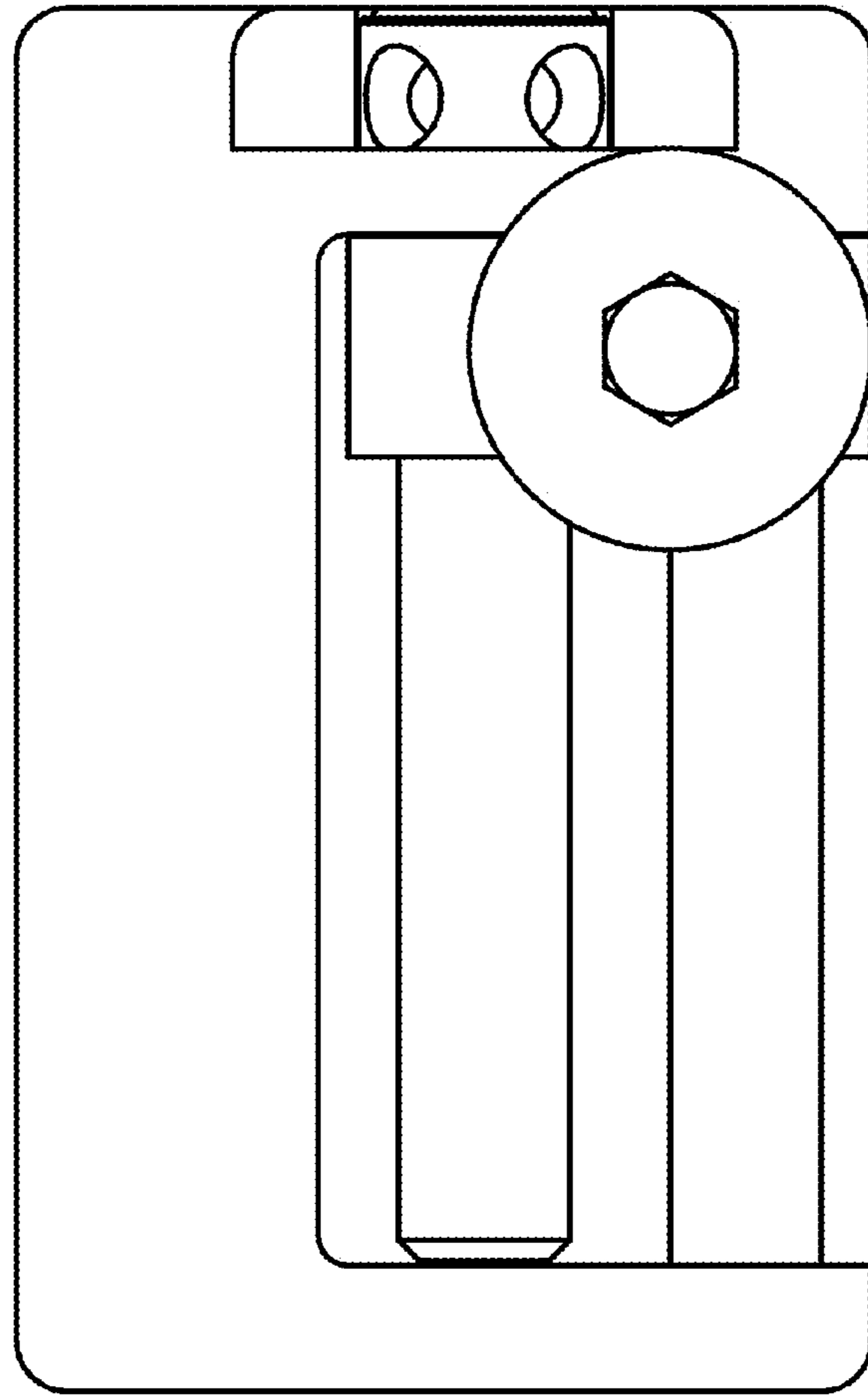


FIG. 18

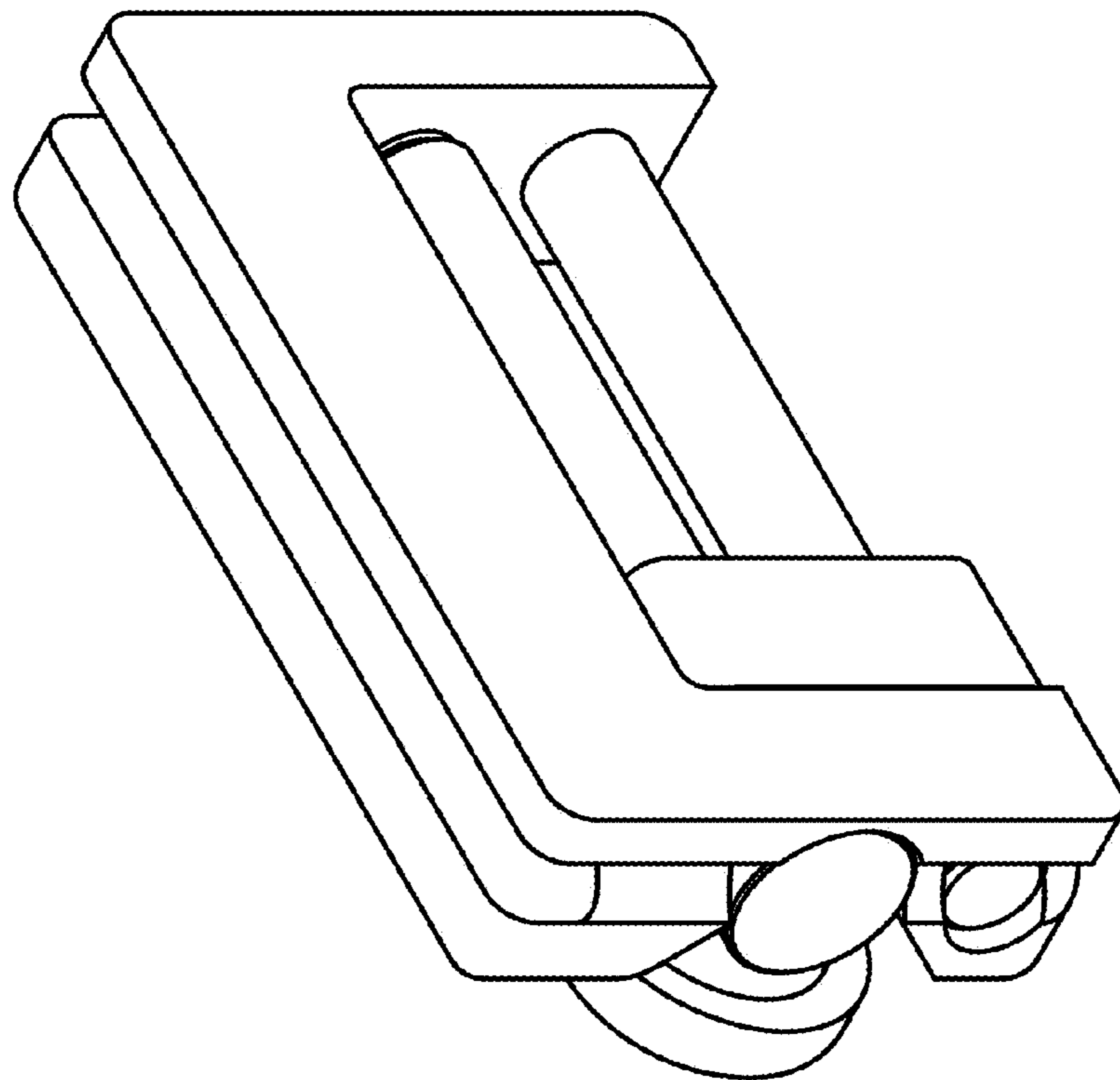
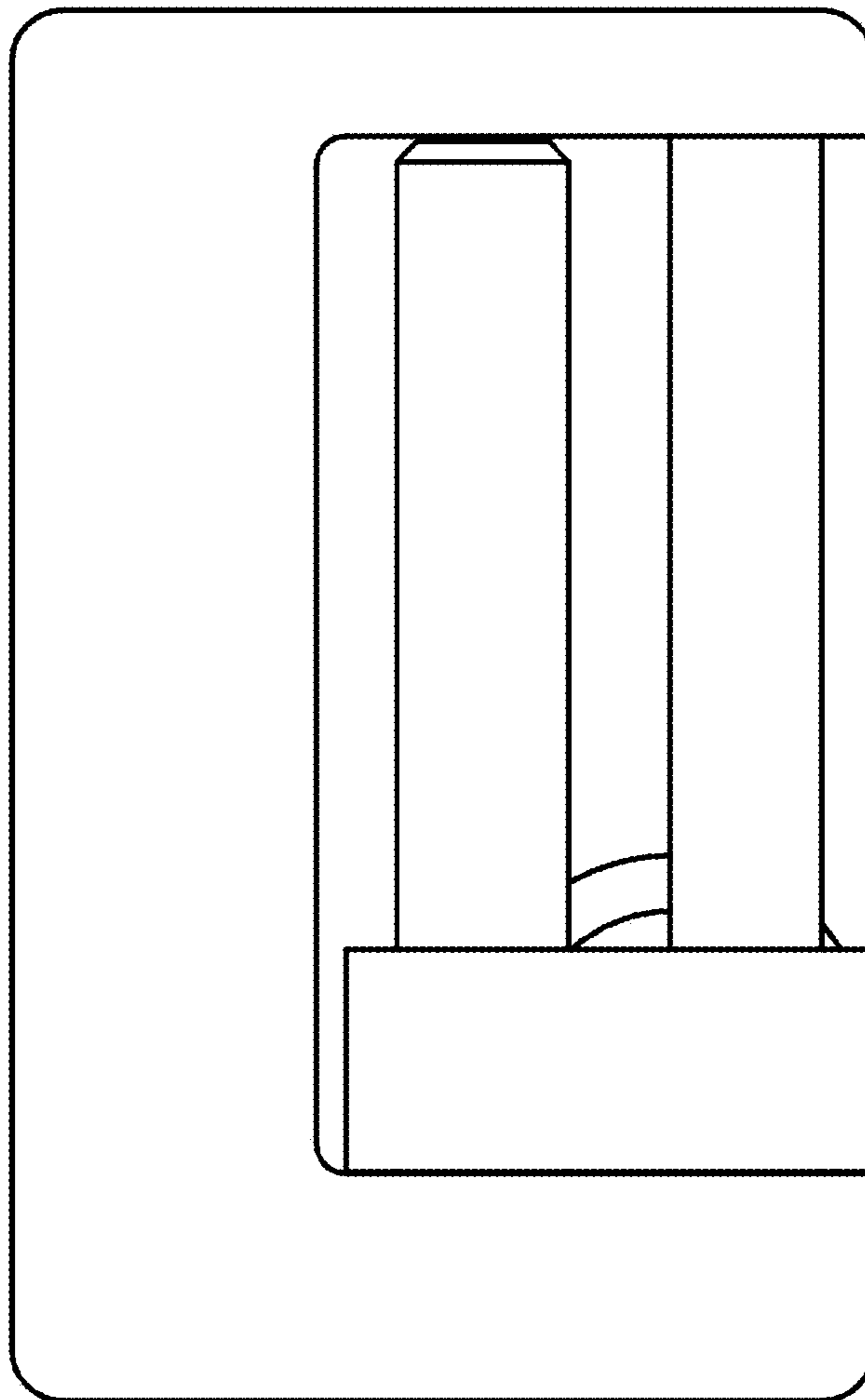
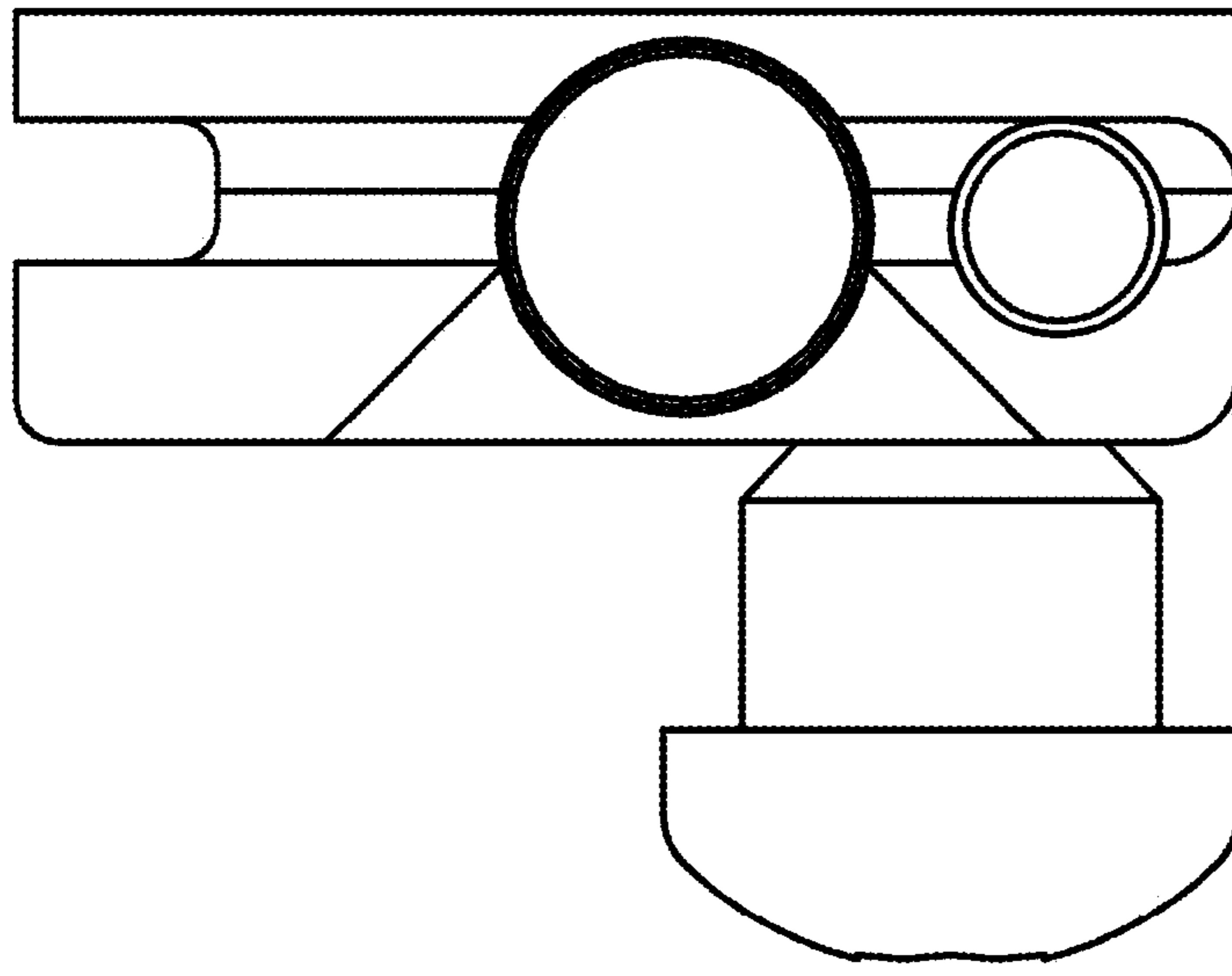


FIG. 17



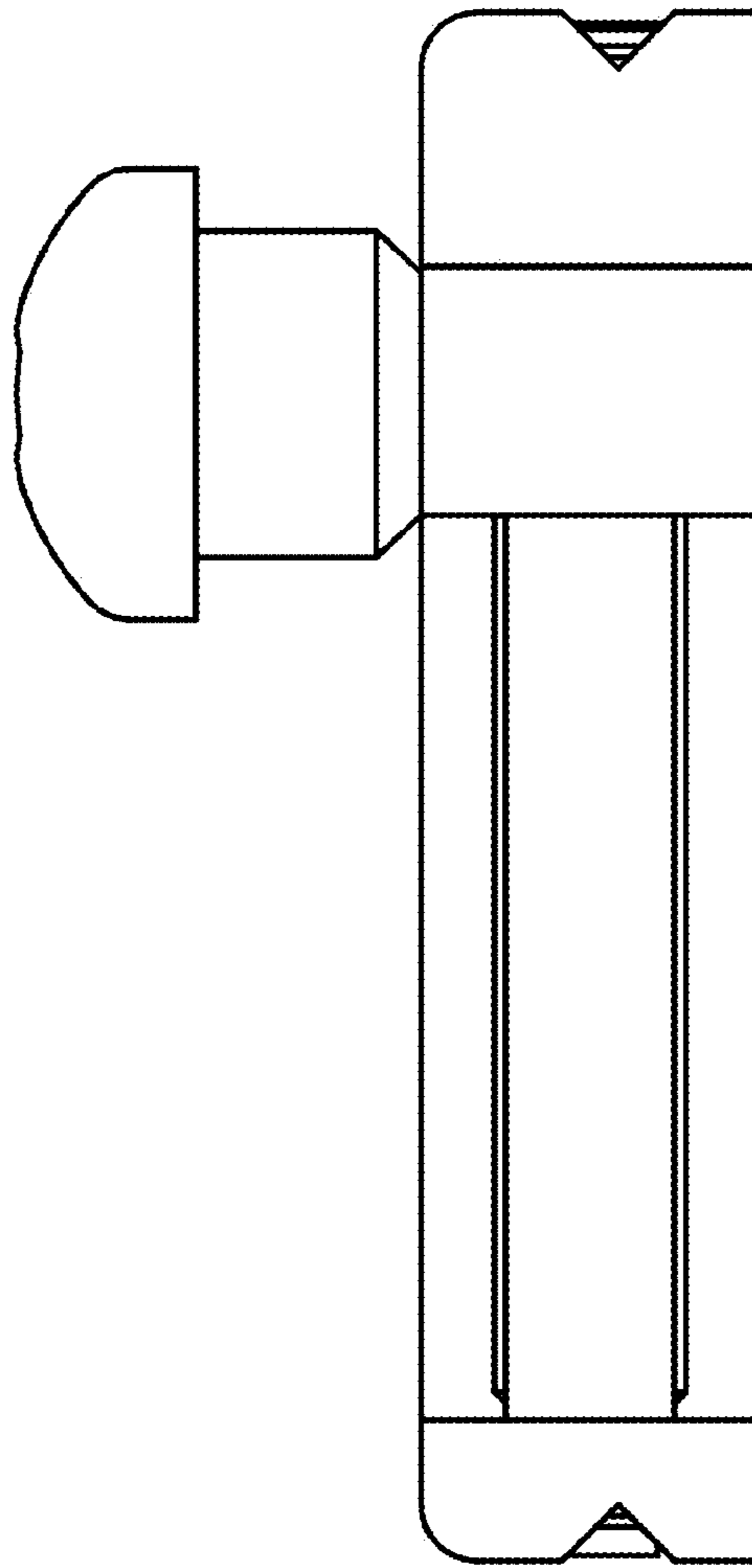


FIG. 22

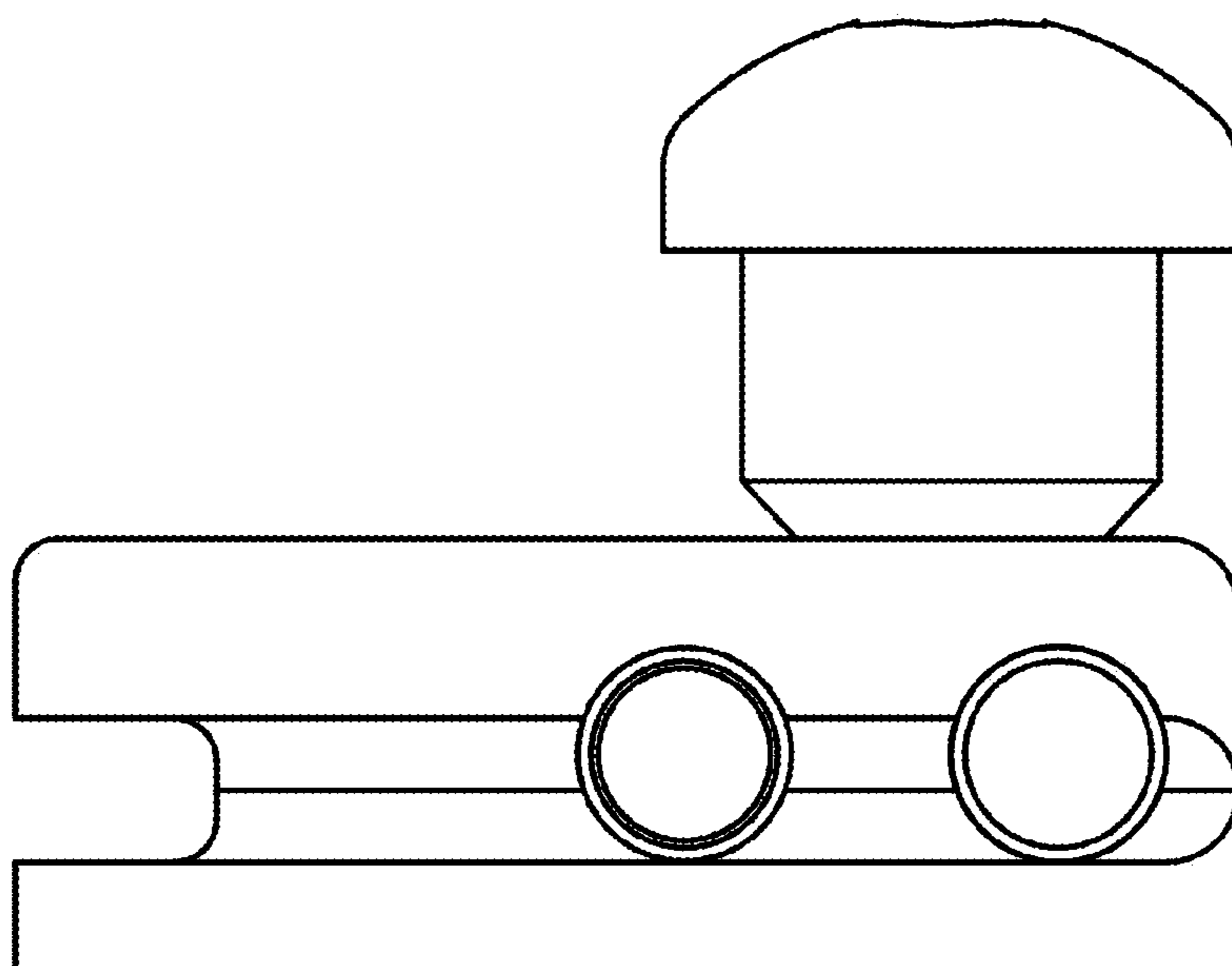


FIG. 21

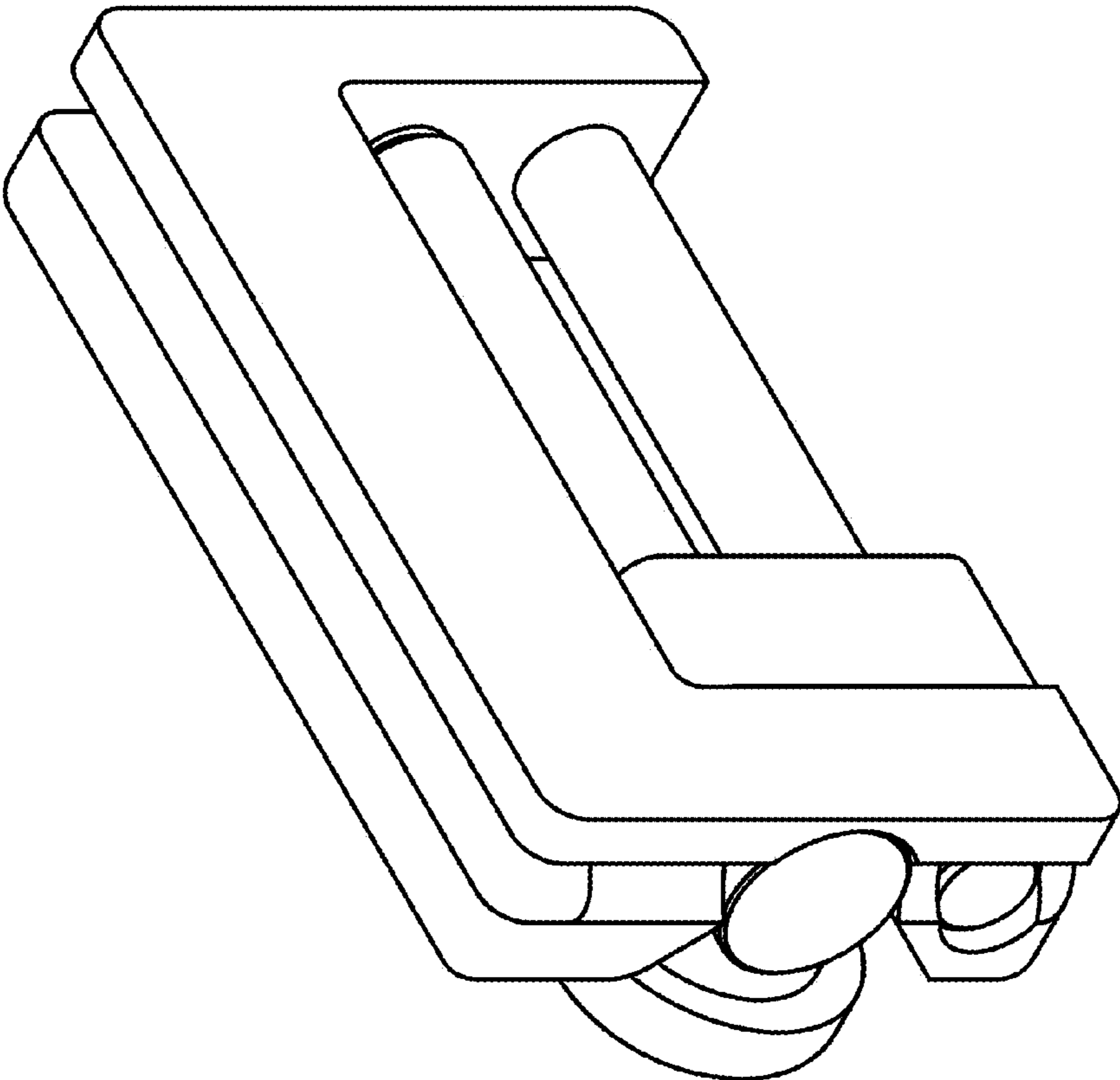


FIG. 24

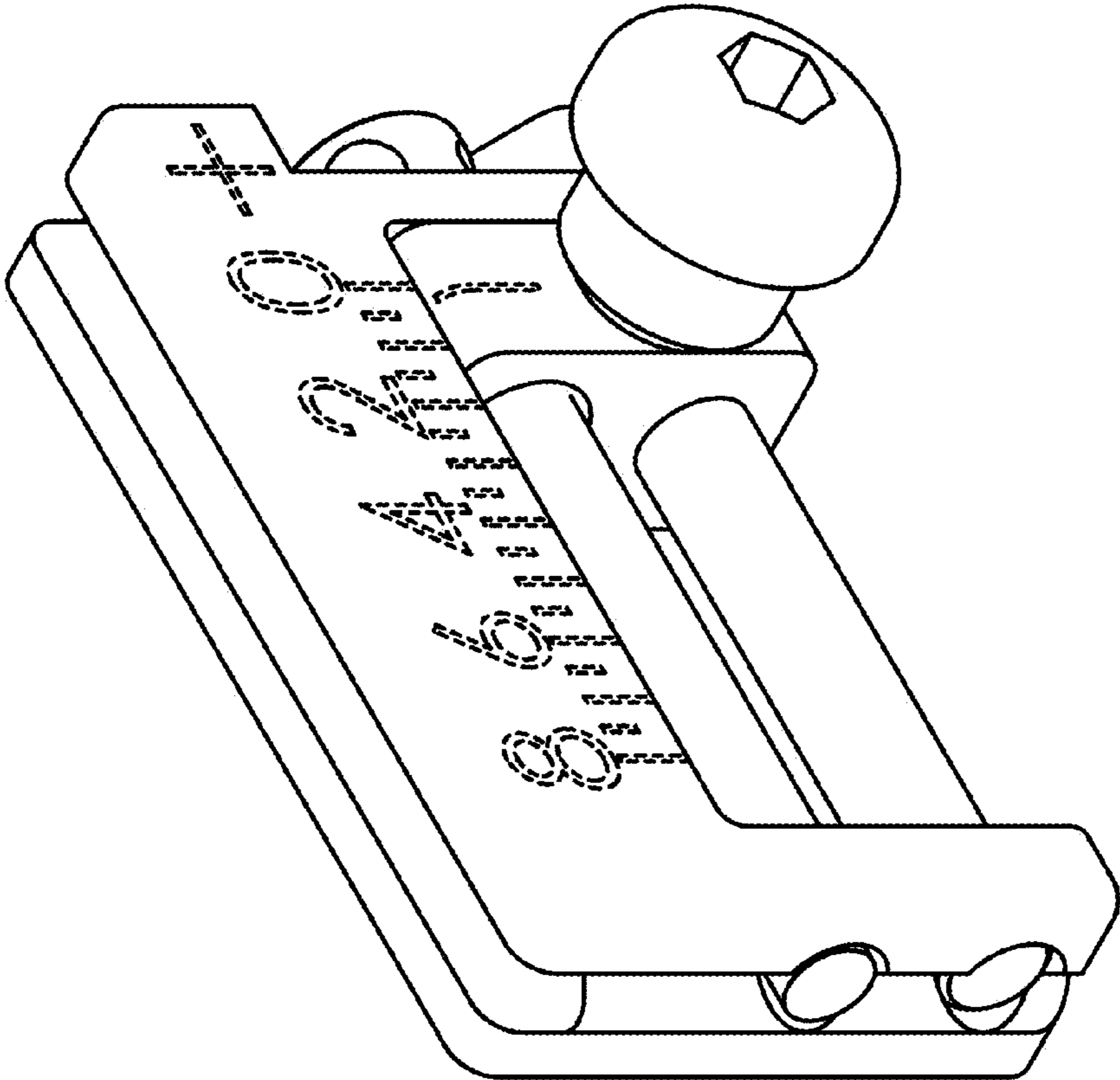


FIG. 23

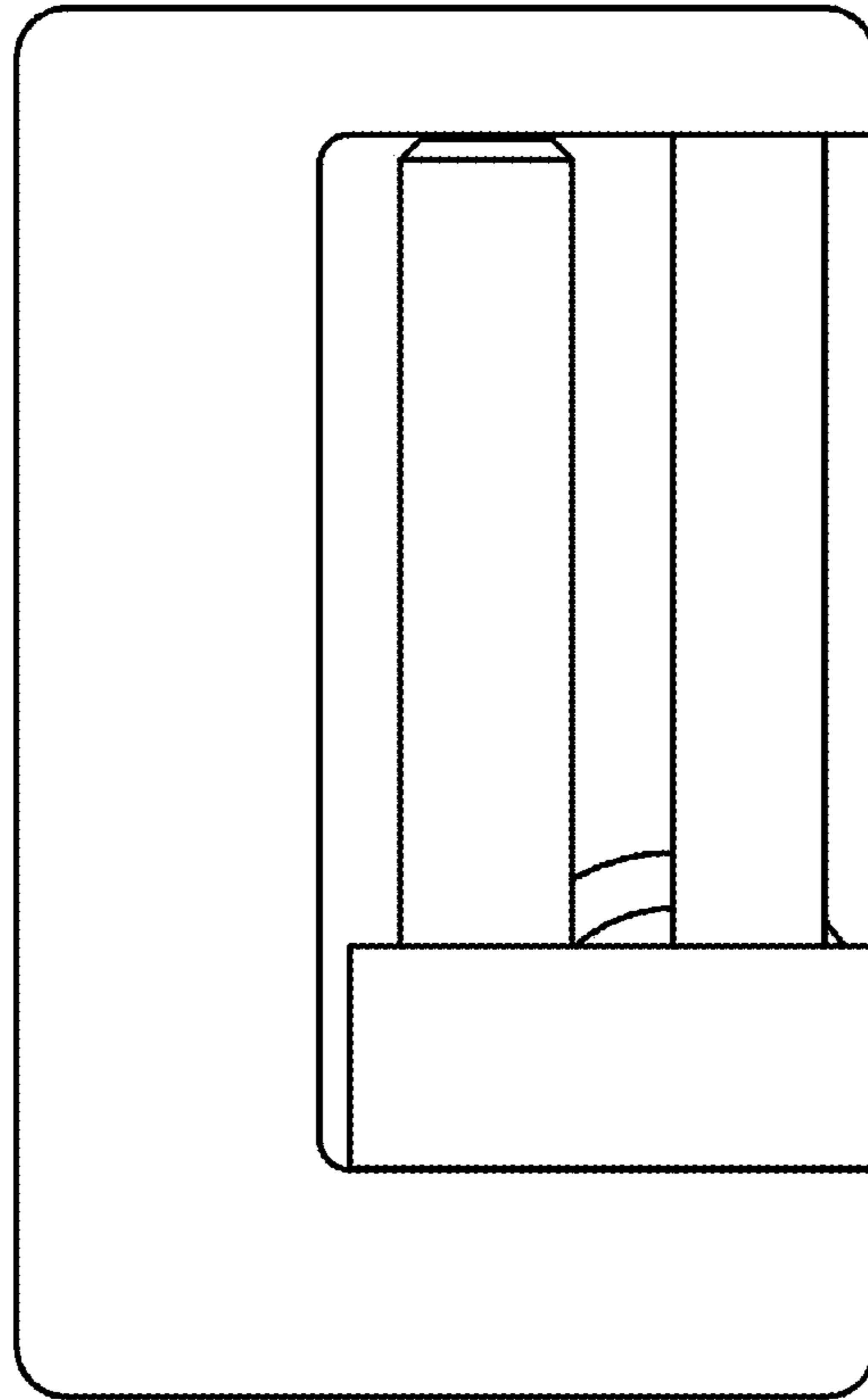


FIG. 26

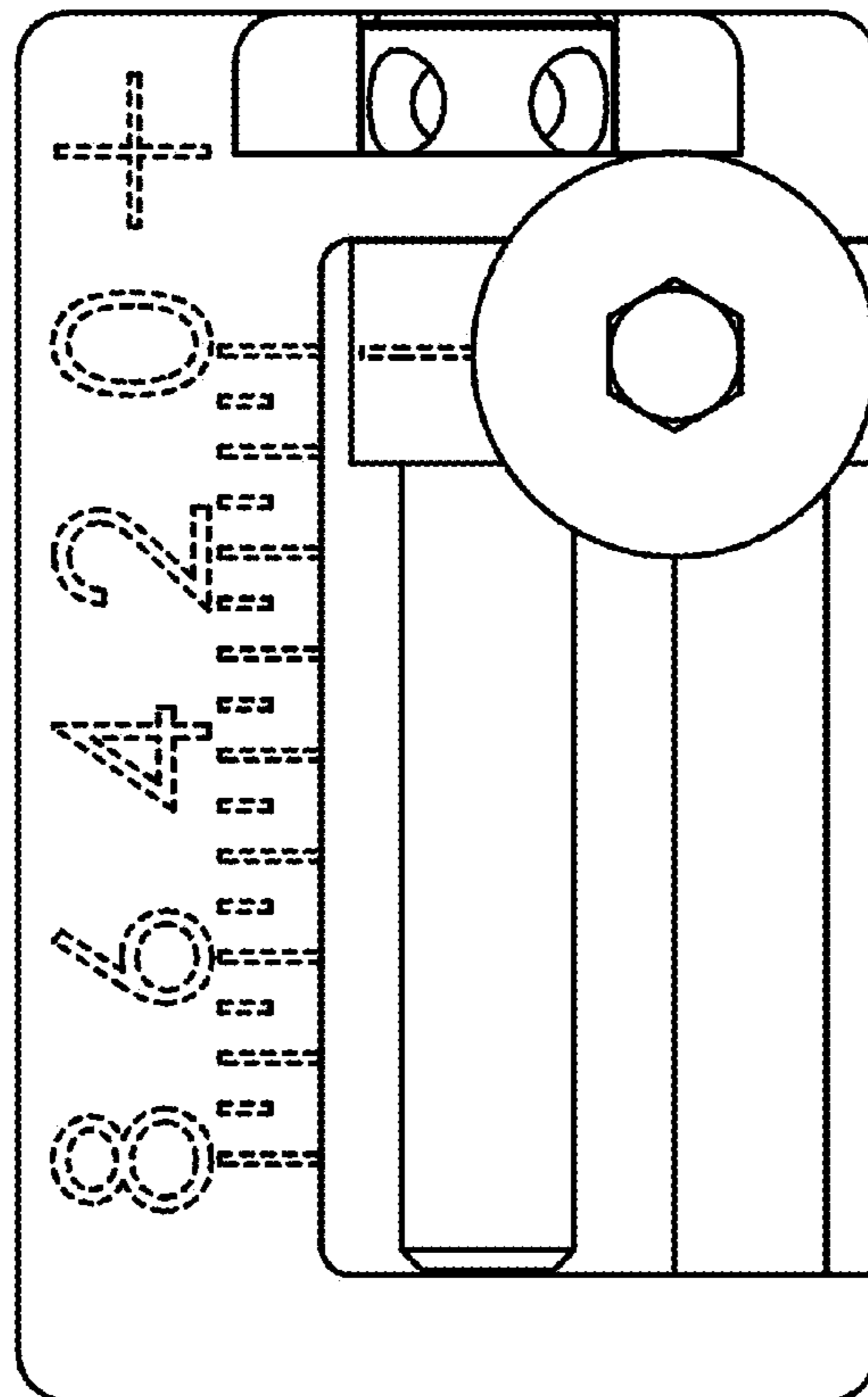


FIG. 25

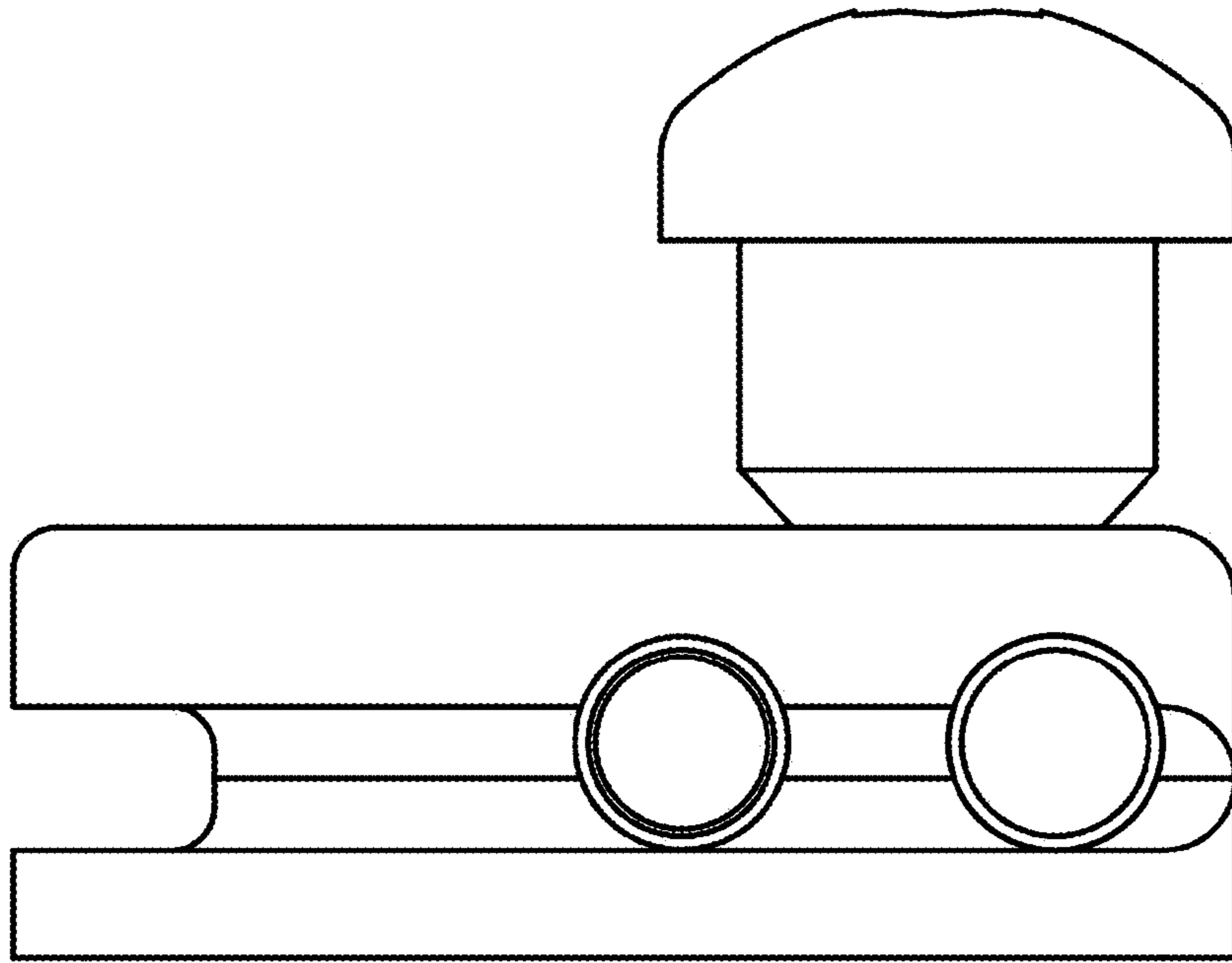


FIG. 28

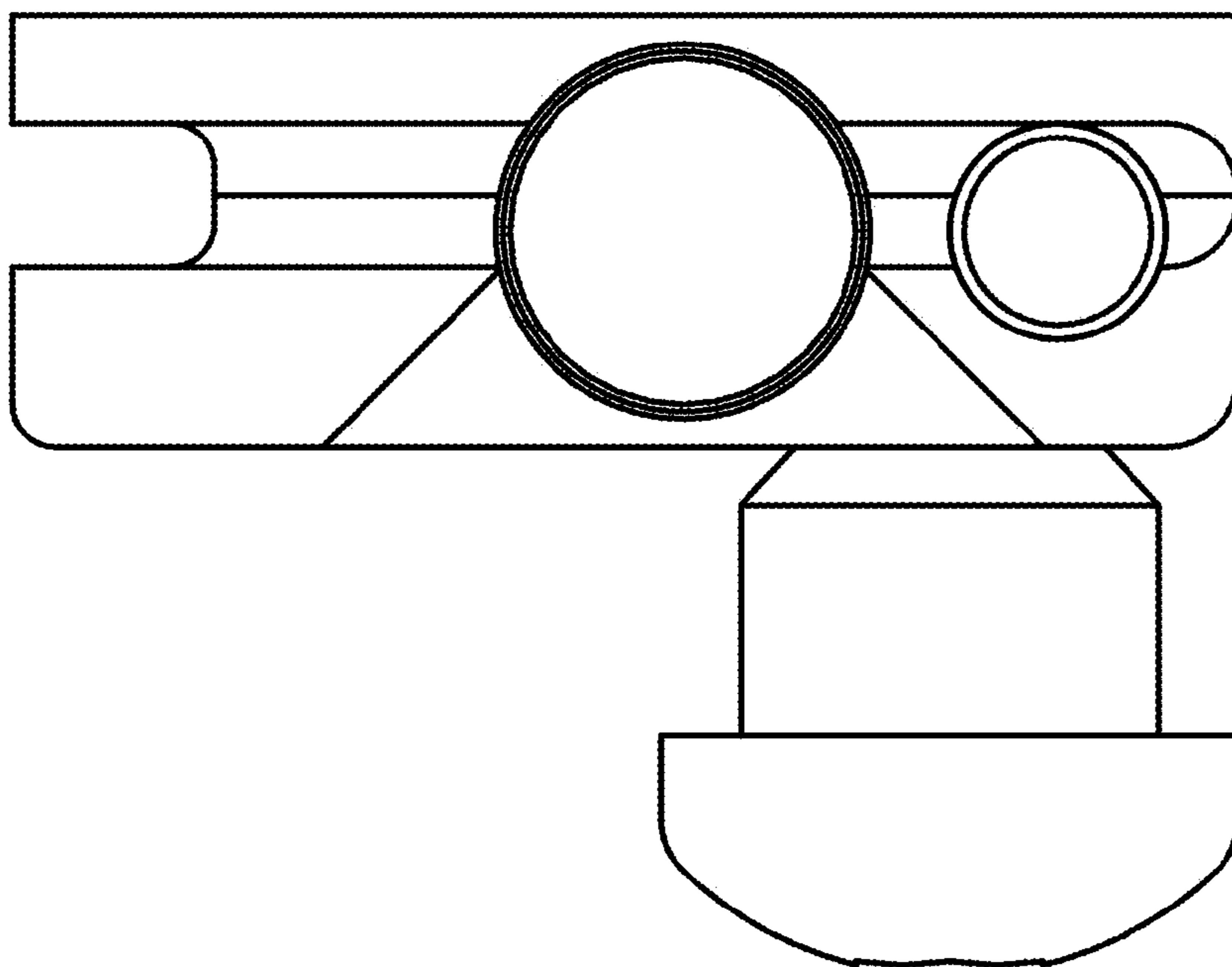


FIG. 27

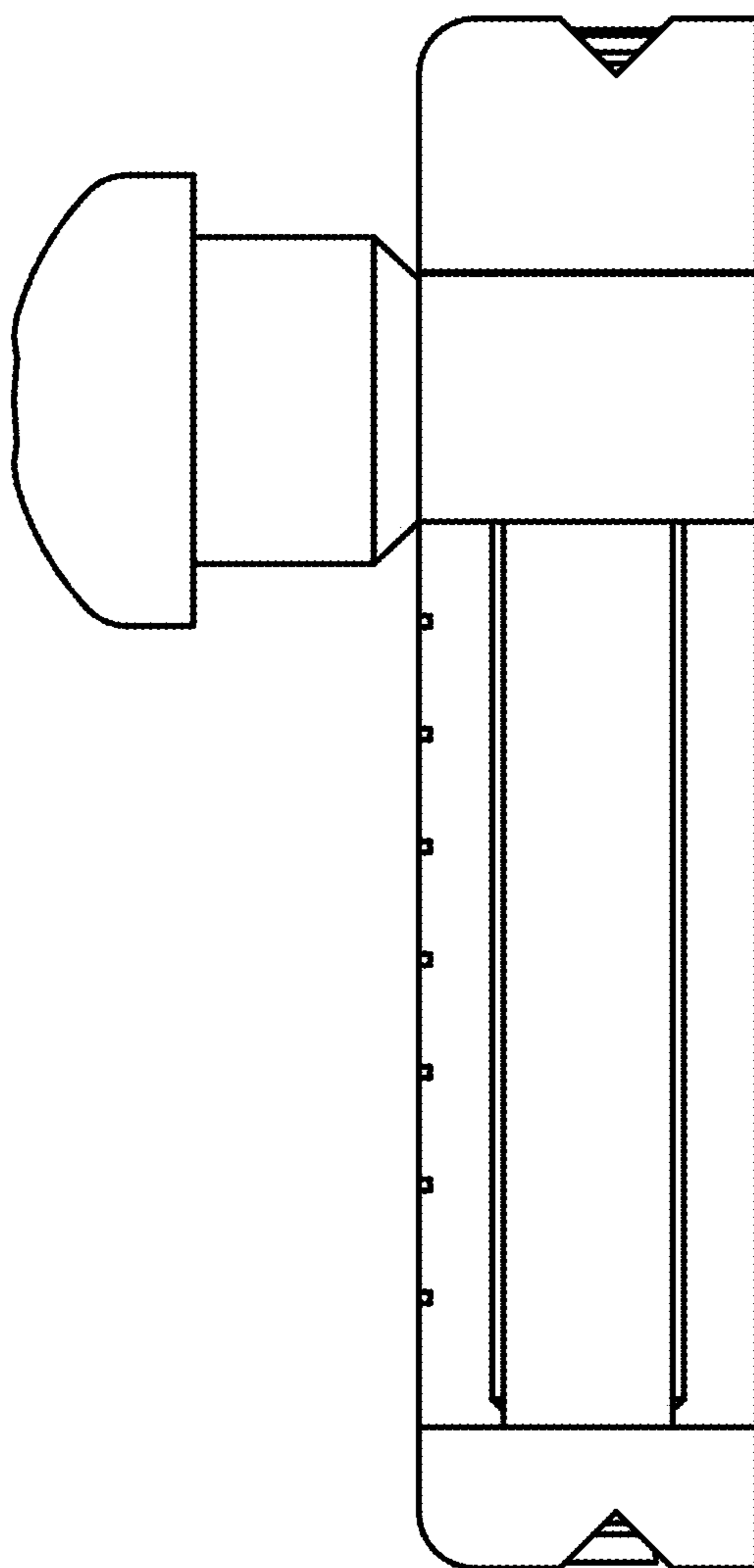


FIG. 29