



US00D738509S

(12) **United States Design Patent**  
**van Elzakker et al.**

(10) **Patent No.:** **US D738,509 S**  
(45) **Date of Patent:** **\*\* Sep. 8, 2015**

- (54) **OPHTHALMOSCOPE**
- (71) Applicant: **i-Optics B.V.**, The Hague (NL)
- (72) Inventors: **Thomas van Elzakker**, Eindhoven (NL); **Jeroen Cammeraat**, The Hague (NL)
- (73) Assignee: **i-Optics B.V.** (NL)
- (\*\*) Term: **14 Years**
- (21) Appl. No.: **29/484,461**
- (22) Filed: **Mar. 10, 2014**
- (51) **LOC (10) Cl.** ..... **24-00**
- (52) **U.S. Cl.**  
USPC ..... **D24/172**
- (58) **Field of Classification Search**  
USPC ..... D24/172, 137, 231; 351/245, 239; 312/209  
CPC ..... A61B 3/18; A61B 3/032; A61B 19/0248  
See application file for complete search history.

D589,622 S *	3/2009	Koest .....	D24/172
D607,562 S *	1/2010	Heine et al. ....	D24/137
D614,774 S *	4/2010	Gausmann et al. ....	D24/172
D685,480 S *	7/2013	Husain .....	D24/172
D698,444 S *	1/2014	Mensink .....	D24/172
D704,842 S *	5/2014	Wood et al. ....	D24/172
D705,430 S *	5/2014	Sekine .....	D24/172
D709,199 S *	7/2014	Kambe et al. ....	D24/172
D725,791 S *	3/2015	Kim et al. ....	D24/231

\* cited by examiner

*Primary Examiner* — Holly Baynham

*Assistant Examiner* — Rhea Shields

(74) *Attorney, Agent, or Firm* — Moss & Barnett

(57) **CLAIM**

The ornamental design for a ophthalmoscope, as shown and described.

**DESCRIPTION**

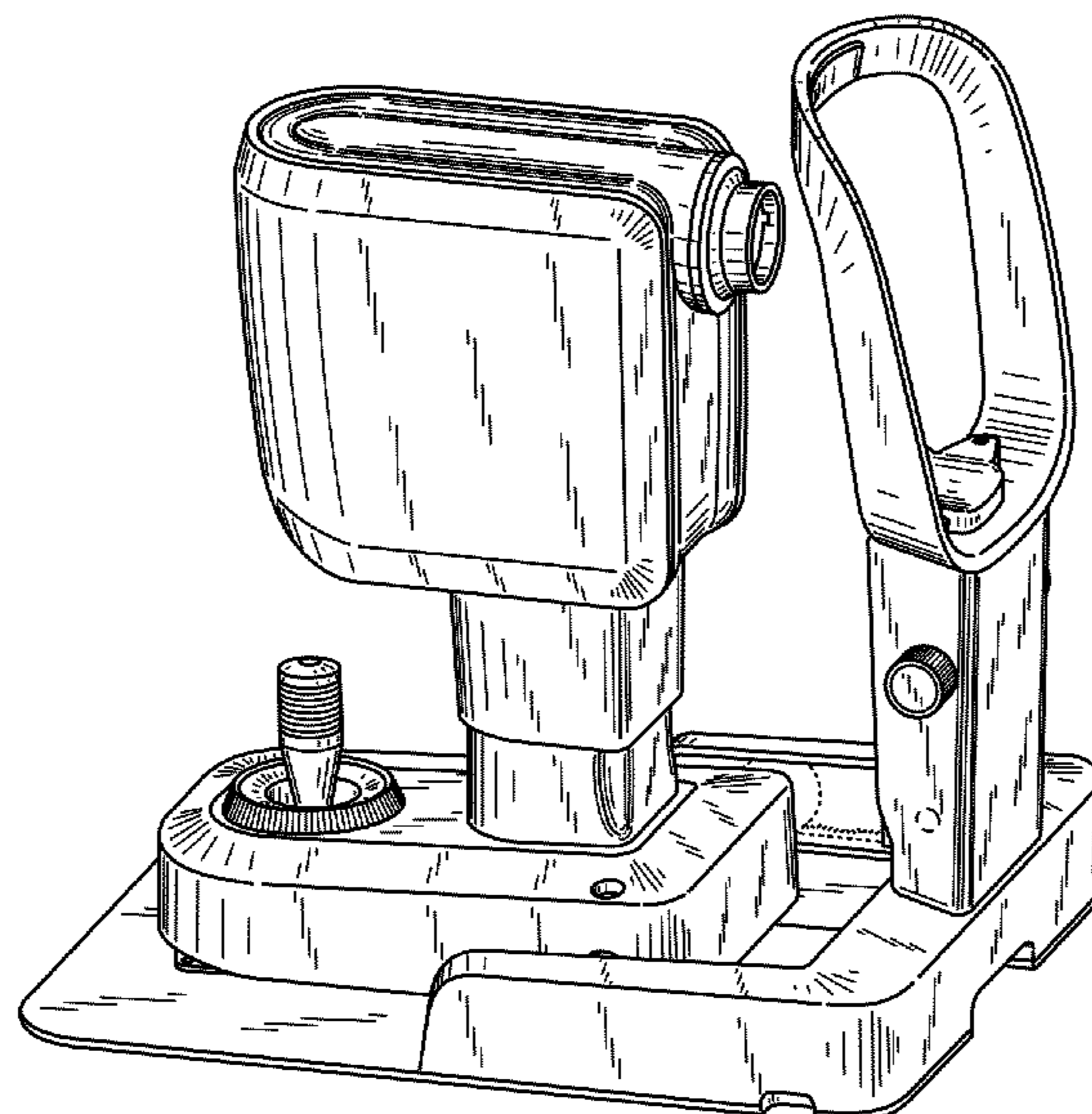
FIG. 1 is a perspective view of our new design for an ophthalmoscope;  
 FIG. 2 is a front end view of the ophthalmoscope shown in FIG. 1;  
 FIG. 3 is a back end view of the ophthalmoscope shown in FIG. 1;  
 FIG. 4 is a left side elevation view of the ophthalmoscope shown in FIG. 1;  
 FIG. 5 is a right side elevation view of the ophthalmoscope shown in FIG. 1; and,  
 FIG. 6 is a top plan view of the ophthalmoscope shown in FIG. 1.  
 In the drawings, the broken lines are for the purpose of illustrating environment only and form no part of the claimed design.

**1 Claim, 6 Drawing Sheets**

(56) **References Cited**

U.S. PATENT DOCUMENTS

4,187,005 A *	2/1980	Rosenberger .....	351/245
4,518,208 A *	5/1985	Marder .....	312/209
4,615,594 A *	10/1986	Task .....	351/239
D330,769 S *	11/1992	Blaha et al. ....	D24/172
D360,465 S *	7/1995	Niven .....	D24/172
D394,505 S *	5/1998	Hayashi .....	D24/172
D436,665 S *	1/2001	Becker .....	D24/172
D444,236 S *	6/2001	Koop et al. ....	D24/172
D465,850 S *	11/2002	Takizawa .....	D24/172
D483,873 S *	12/2003	Schwartz .....	D24/172
D552,736 S *	10/2007	Yamaoka .....	D24/172
D582,556 S *	12/2008	Yamaoka .....	D24/172



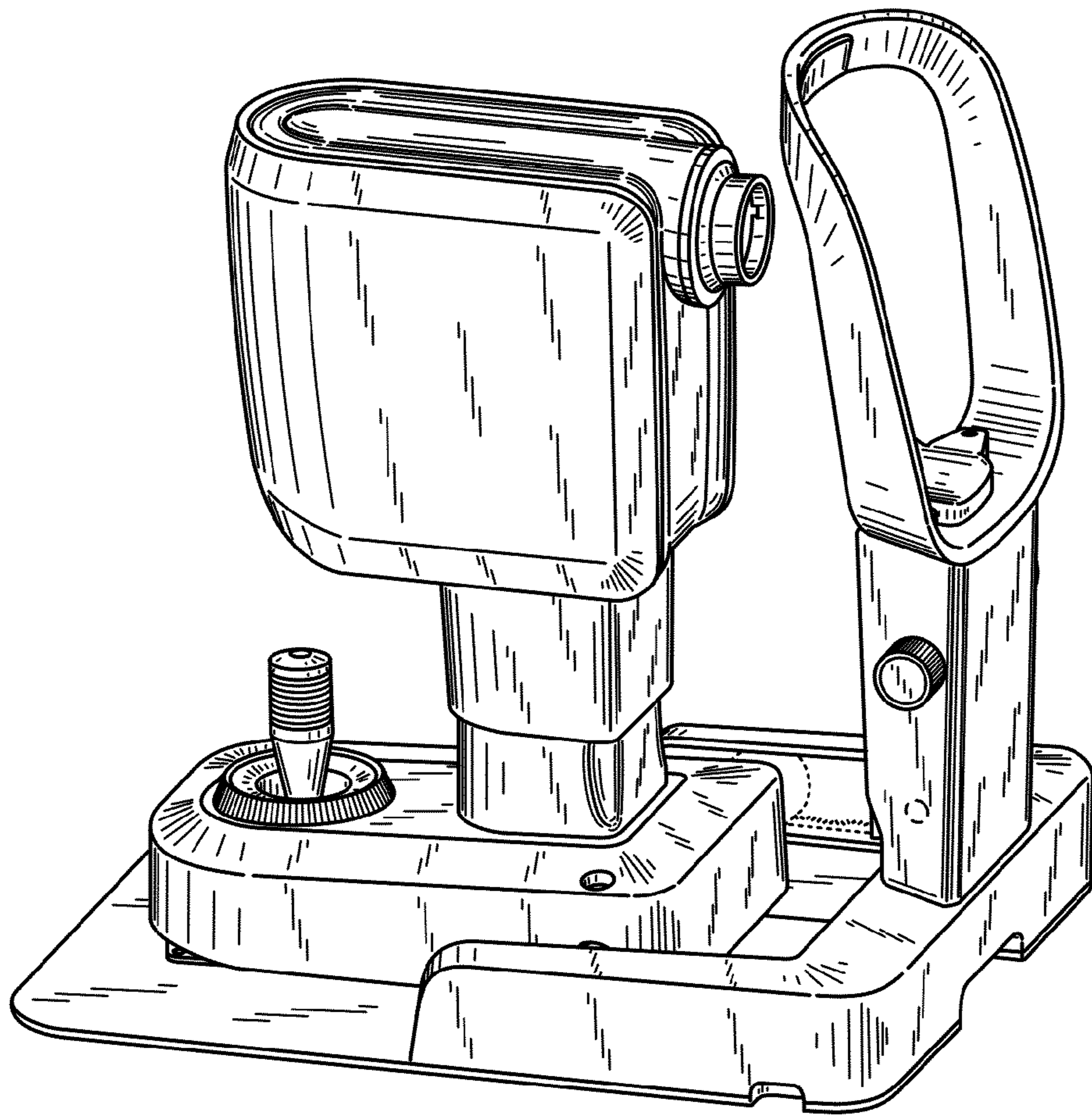


Fig. 1

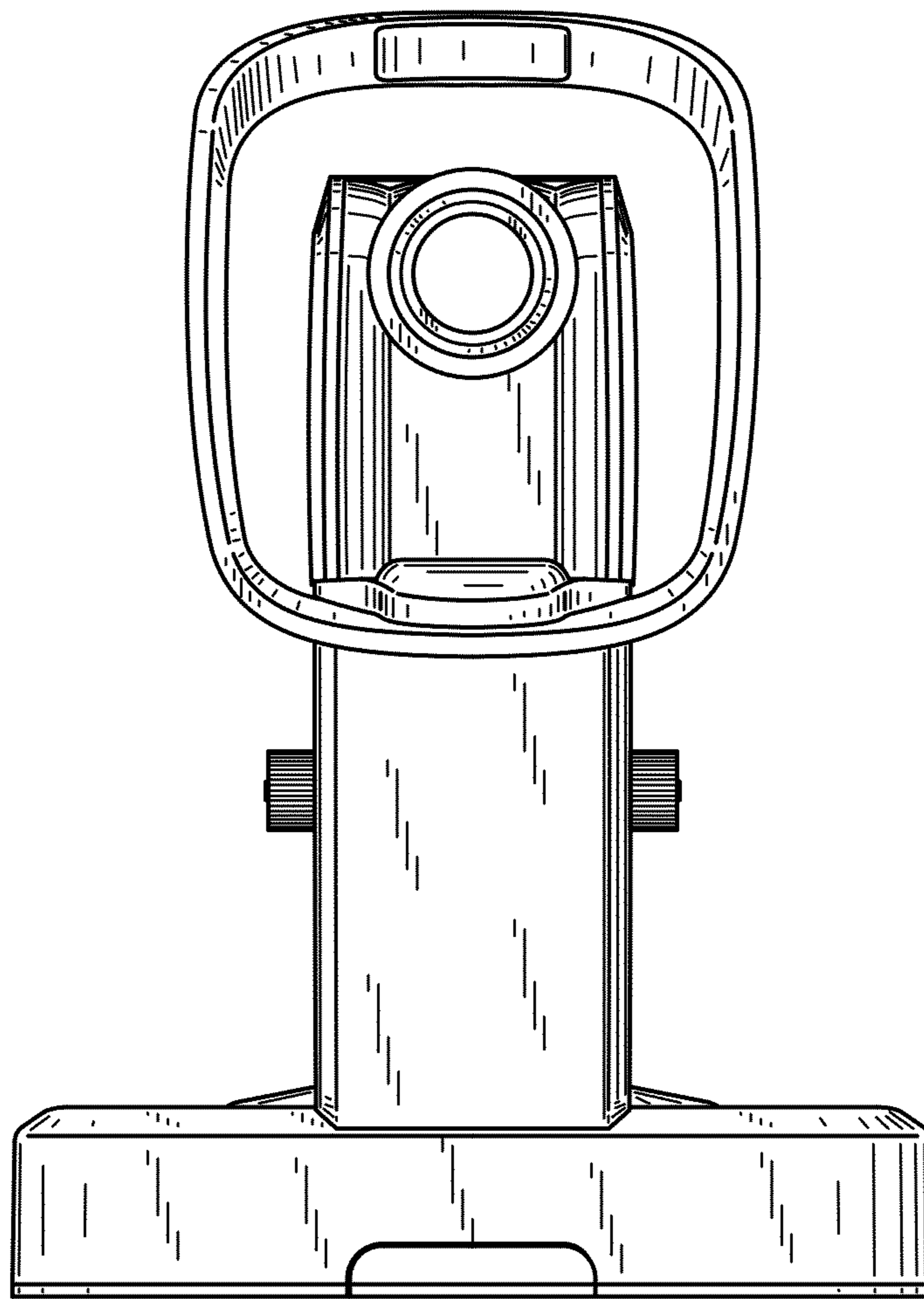


Fig. 2



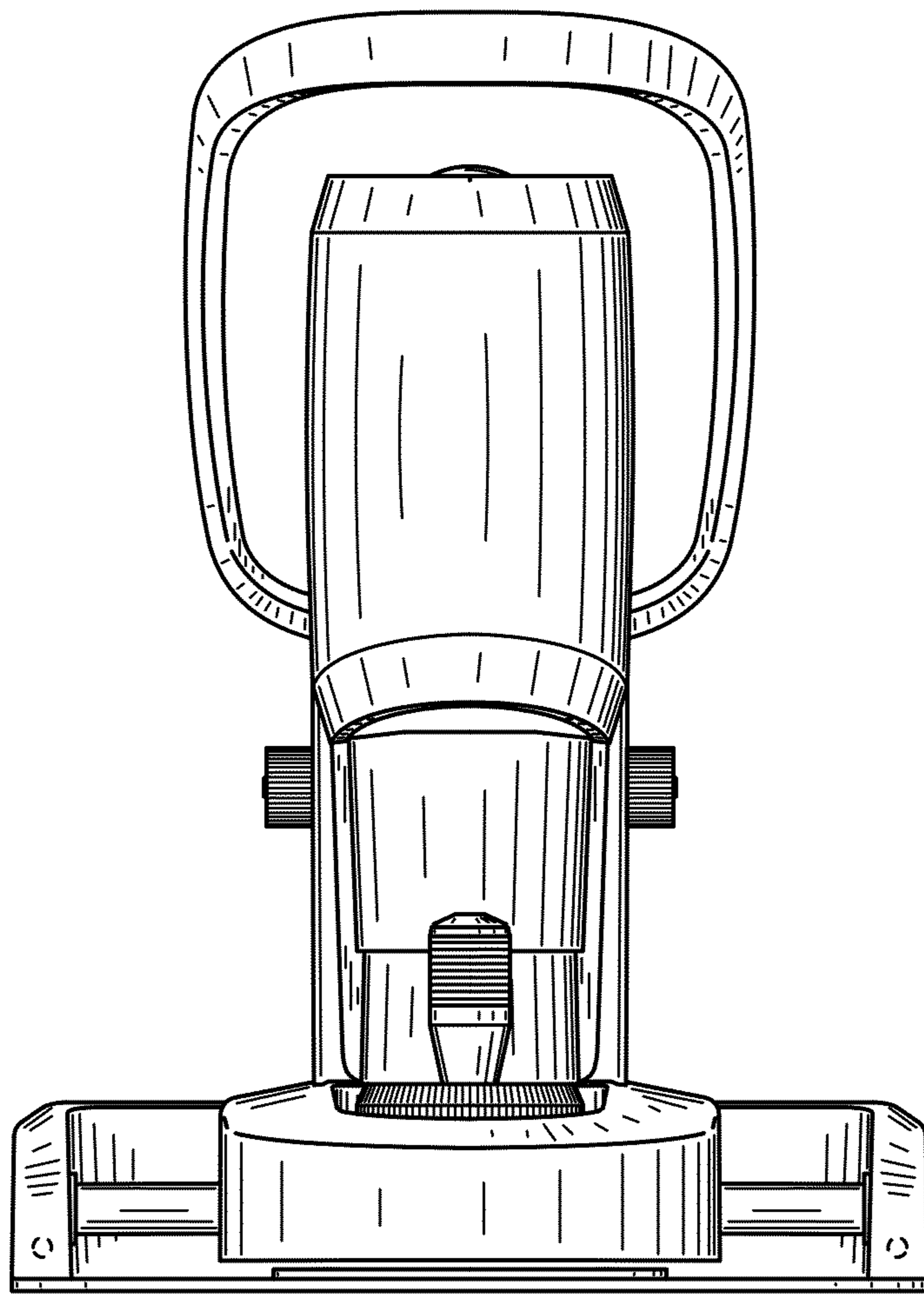


Fig. 3

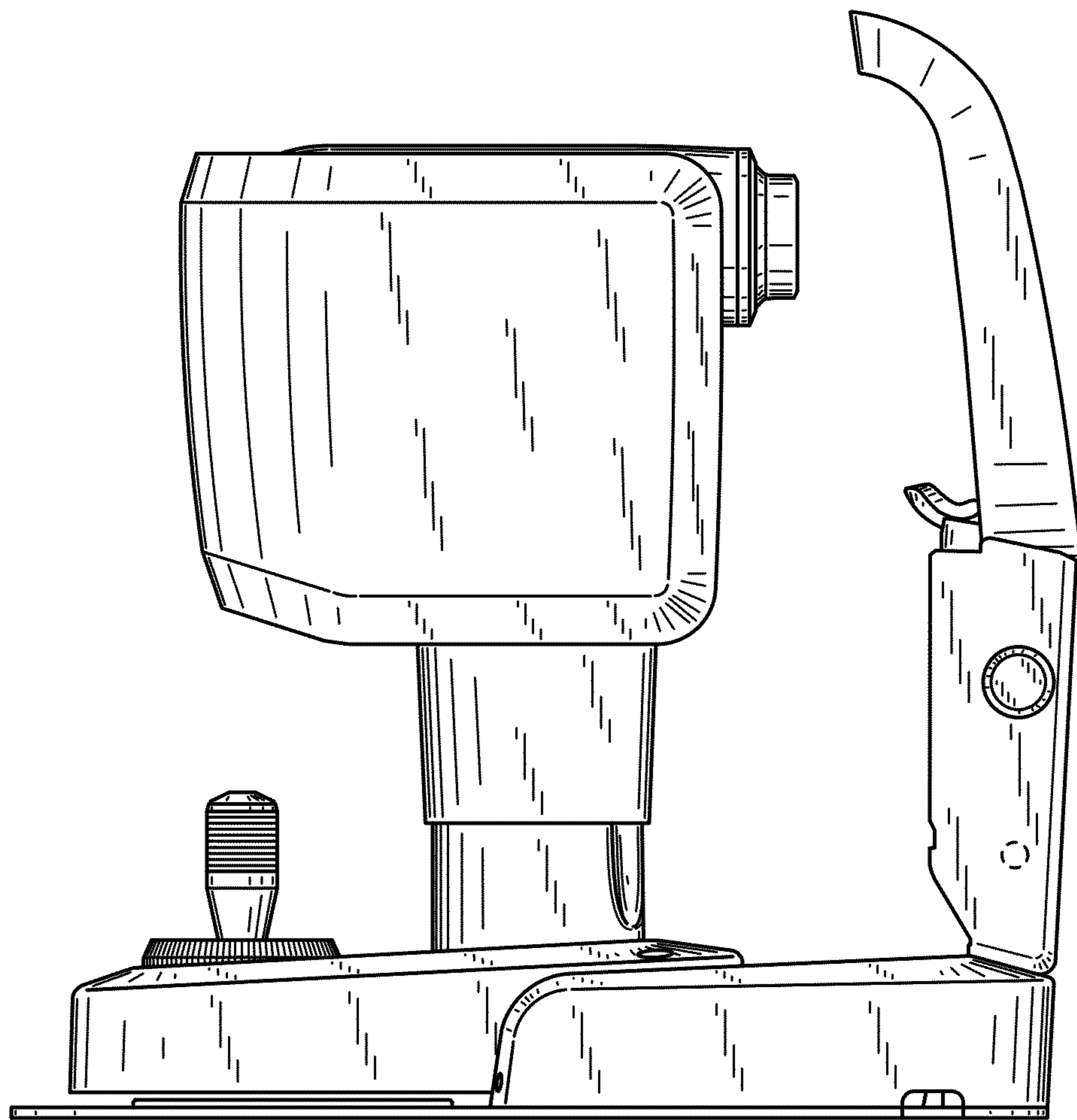


Fig. 4

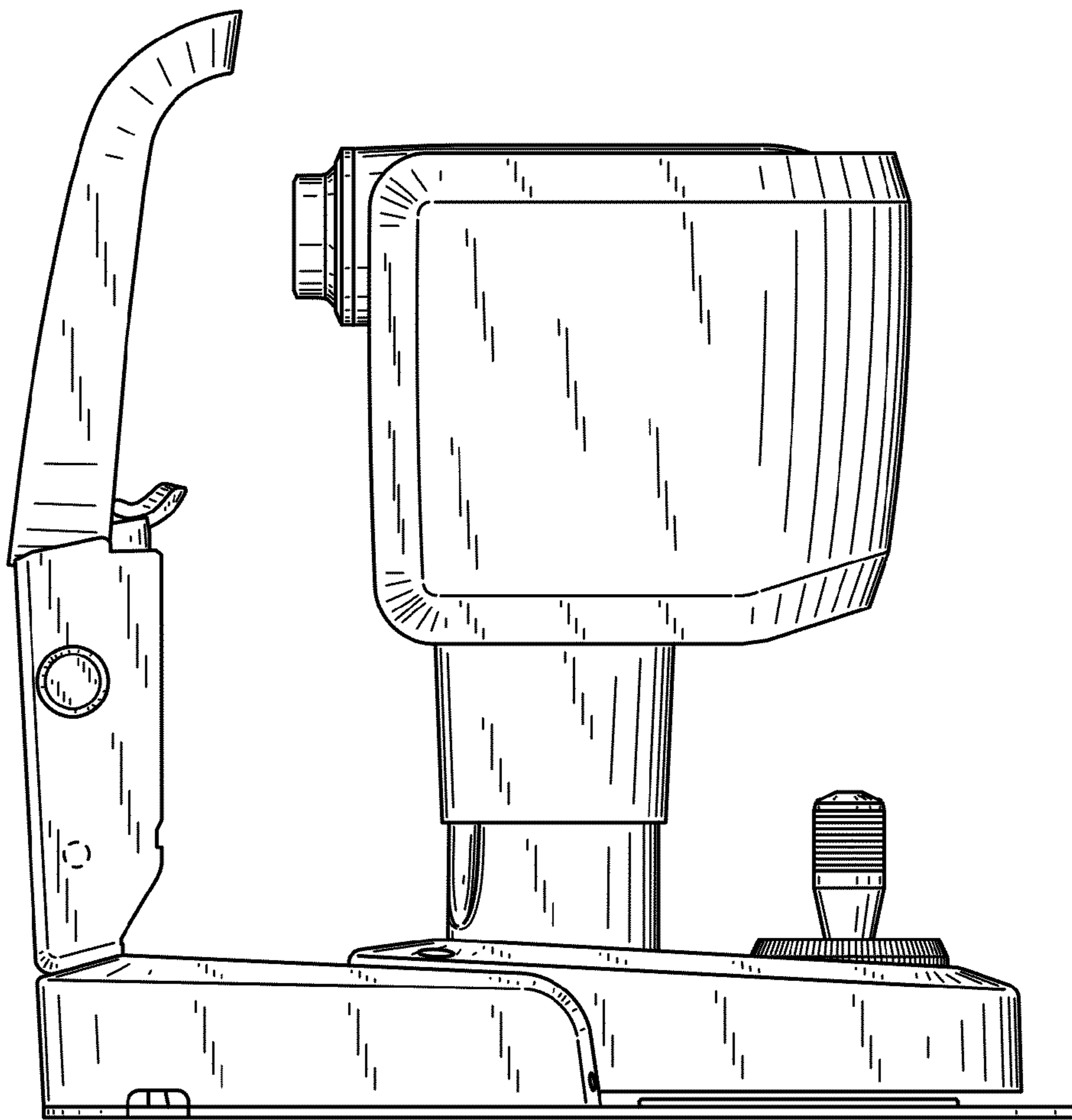


Fig. 5

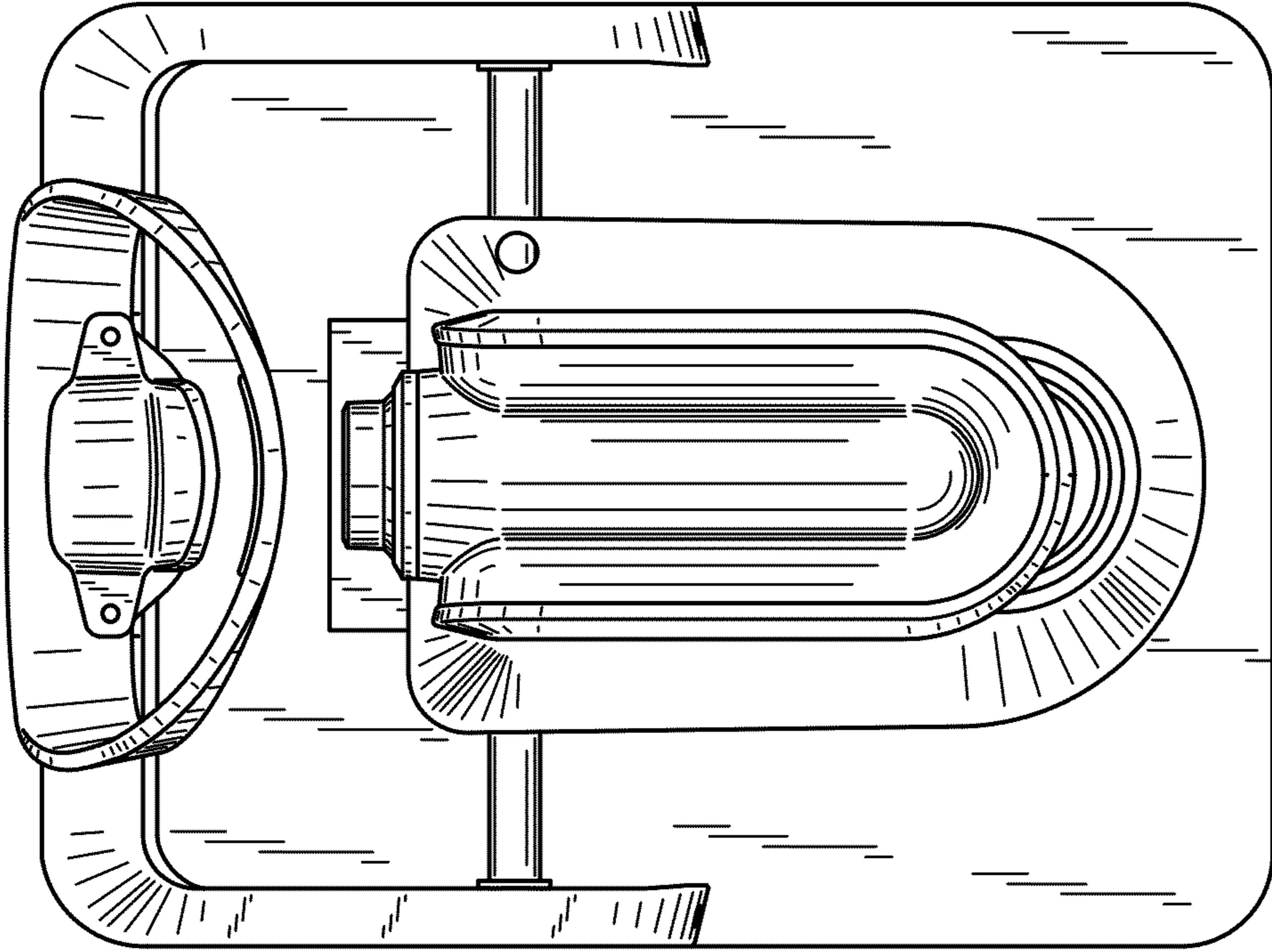


Fig. 6