



US00D738505S

(12) **United States Design Patent**
Eberler et al.

(10) **Patent No.:** **US D738,505 S**
(45) **Date of Patent:** **** *Sep. 8, 2015**

(54) **MAGNETIC RESONANCE TOMOGRAPHY APPARATUS**

(71) Applicants: **Michael Eberler**, Postbauer-Heng (DE);
Florian Hilbig, Berg (DE); **Dirk Licht**,
Munich (DE); **Bernd Maciejewski**,
Markt Erlbach (DE)

(72) Inventors: **Michael Eberler**, Postbauer-Heng (DE);
Florian Hilbig, Berg (DE); **Dirk Licht**,
Munich (DE); **Bernd Maciejewski**,
Markt Erlbach (DE)

(73) Assignee: **Siemens Aktiengesellschaft**, Munich
(DE)

(*) Notice: This patent is subject to a terminal dis-
claimer.

(**) Term: **14 Years**

(21) Appl. No.: **29/454,165**

(22) Filed: **May 7, 2013**

(30) **Foreign Application Priority Data**

Nov. 7, 2012 (EM) 001350144

(51) **LOC (10) Cl.** **24-01**

(52) **U.S. Cl.**
USPC **D24/158**

(58) **Field of Classification Search**
USPC D24/158-161, 185, 186; 378/4, 15, 17,
378/21, 23-27, 62, 68, 196-198; 600/407,
600/409, 410, 415, 421, 422, 425

See application file for complete search history.

(56) **References Cited**

U.S. PATENT DOCUMENTS

D678,527 S *	3/2013	Boninger	D24/158
D683,023 S *	5/2013	Andersson et al.	D24/158
D701,309 S *	3/2014	Ohmukai	D24/158
D702,352 S *	4/2014	Yokoyama et al.	D24/158
D714,450 S *	9/2014	Park et al.	D24/158
D714,451 S *	9/2014	Park et al.	D24/159
D715,945 S *	10/2014	Zhang	D24/159
2010/0310304 A1 *	12/2010	Kasper et al.	403/16

* cited by examiner

Primary Examiner — Anhdao Doan

(74) *Attorney, Agent, or Firm* — Schiff Hardin LLP

(57) **CLAIM**

The ornamental design for a magnetic resonance tomography apparatus, as shown and described.

DESCRIPTION

FIG. 1 is an isometric perspective view of an embodiment of a magnetic resonance tomography apparatus, showing our new design;

FIG. 2 is a front elevation view of the magnetic resonance tomography apparatus shown in FIG. 1;

FIG. 3 is a rear elevation view of the magnetic resonance tomography apparatus shown in FIG. 1;

FIG. 4 is a top plan view of the magnetic resonance tomography apparatus shown in FIG. 1;

FIG. 5 is a bottom plan view of the magnetic resonance tomography apparatus shown in FIG. 1;

FIG. 6 is right elevation view of the magnetic resonance tomography apparatus shown in FIG. 1; and,

FIG. 7 is left elevation view of the magnetic resonance tomography apparatus shown in FIG. 1.

1 Claim, 7 Drawing Sheets

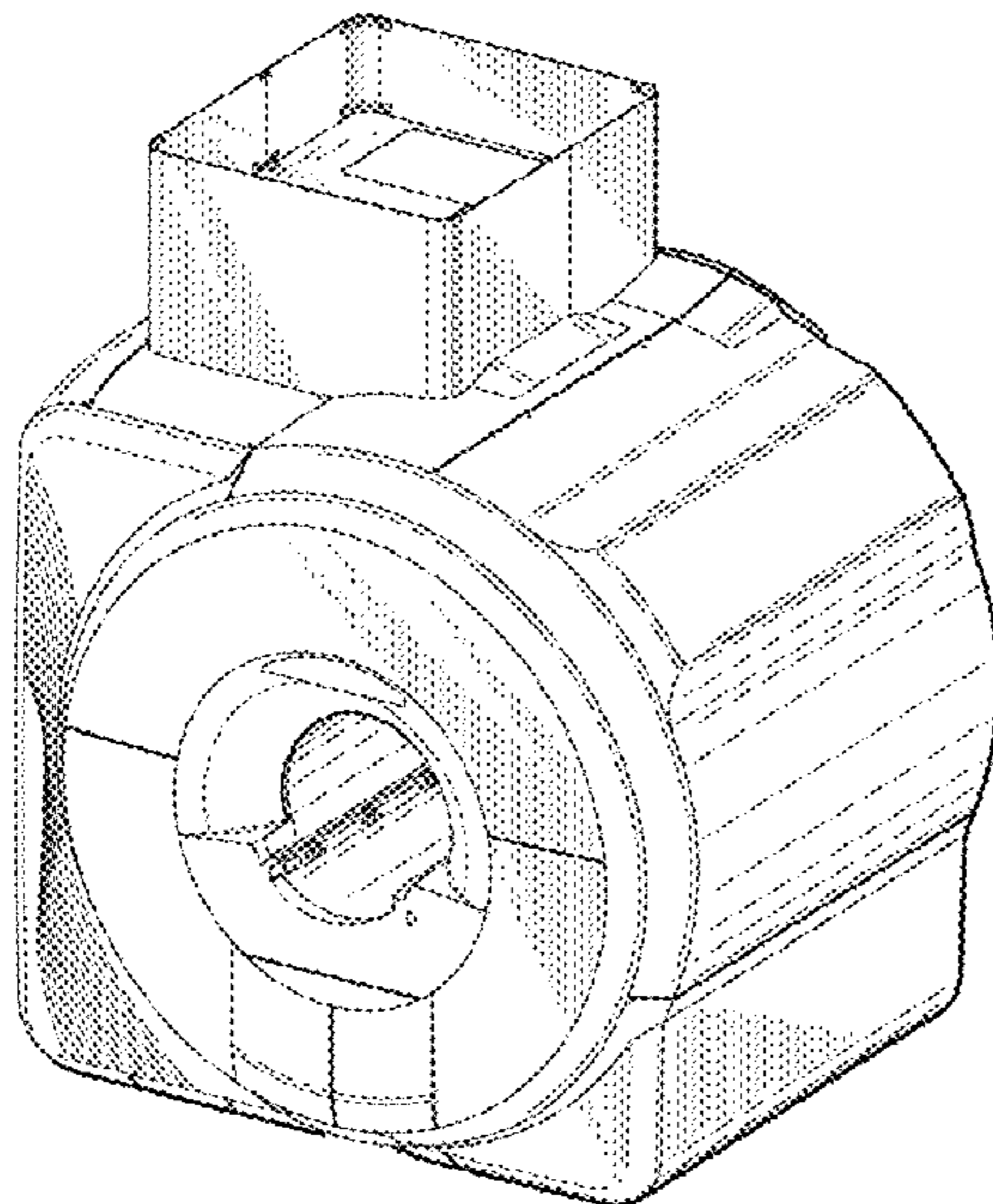


FIG. 1

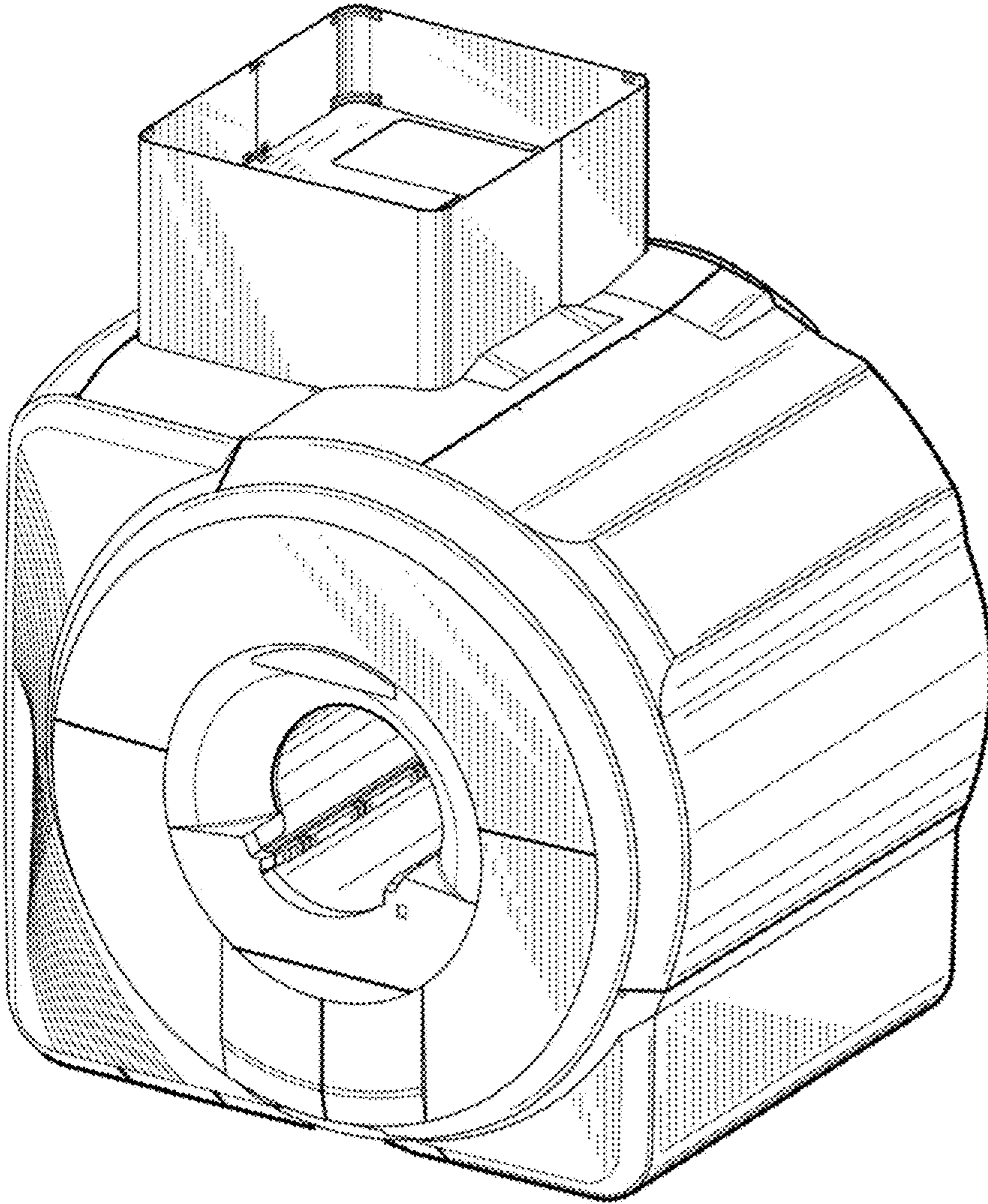


FIG. 2

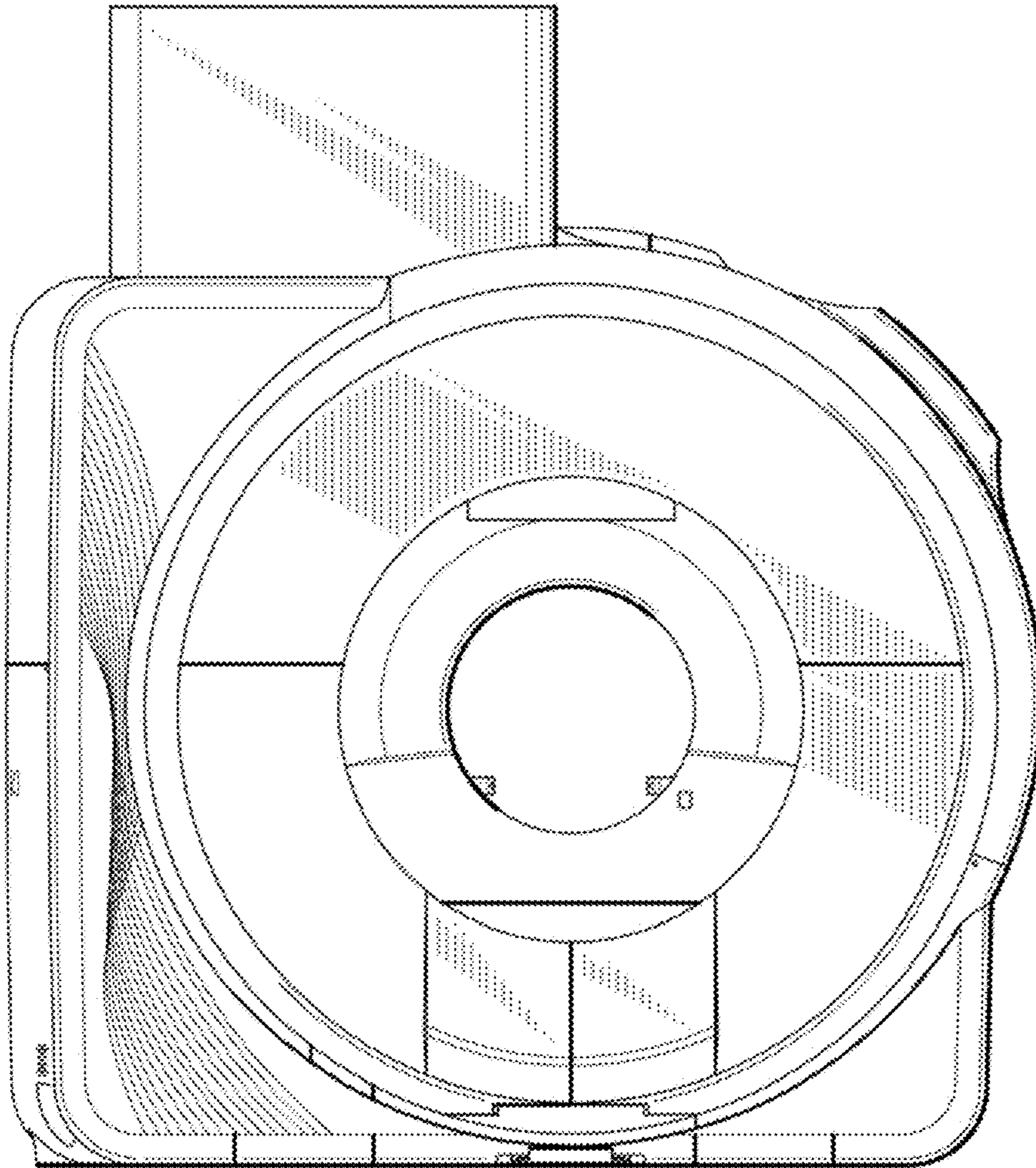


FIG. 3

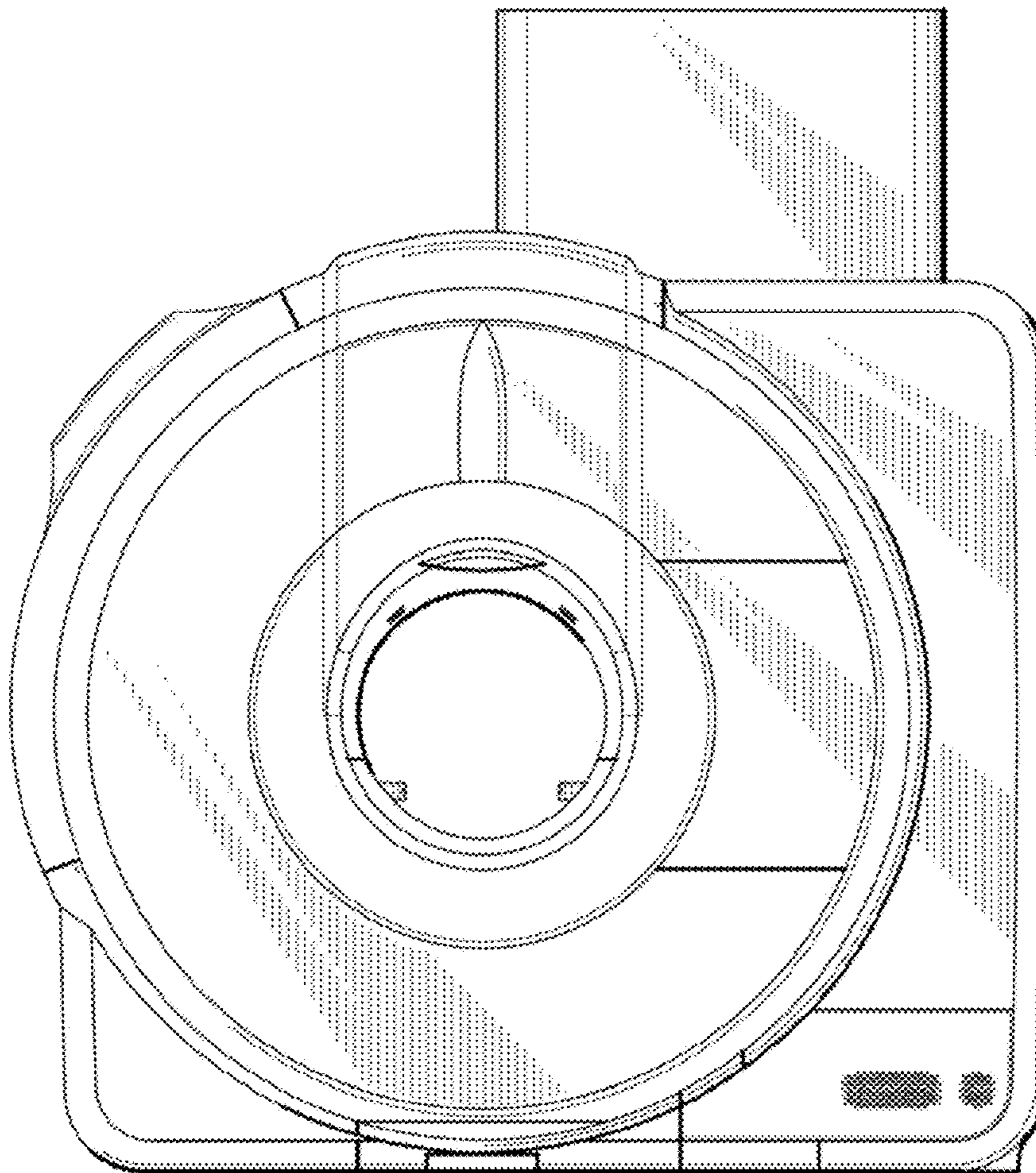


FIG. 4

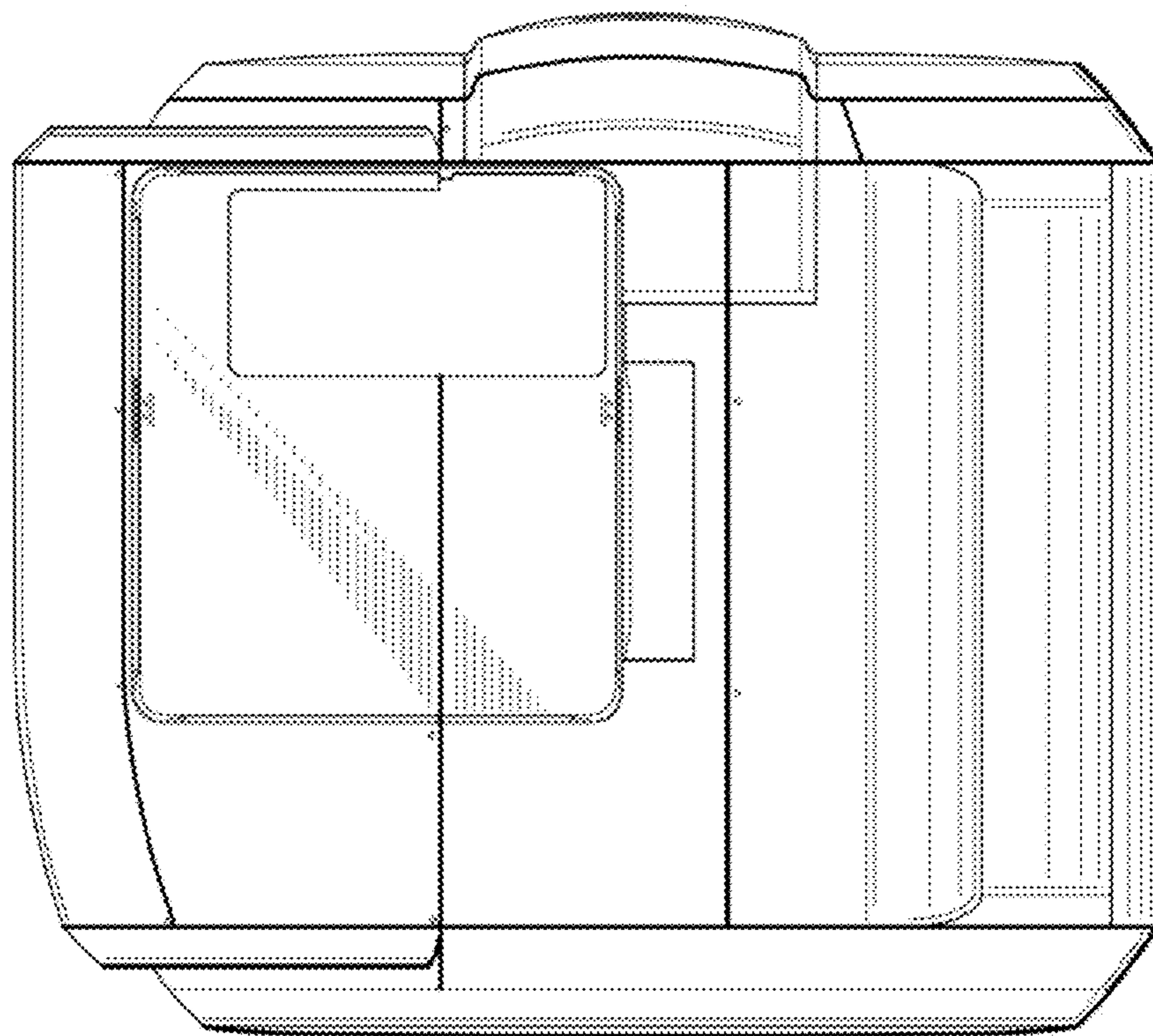


FIG. 5

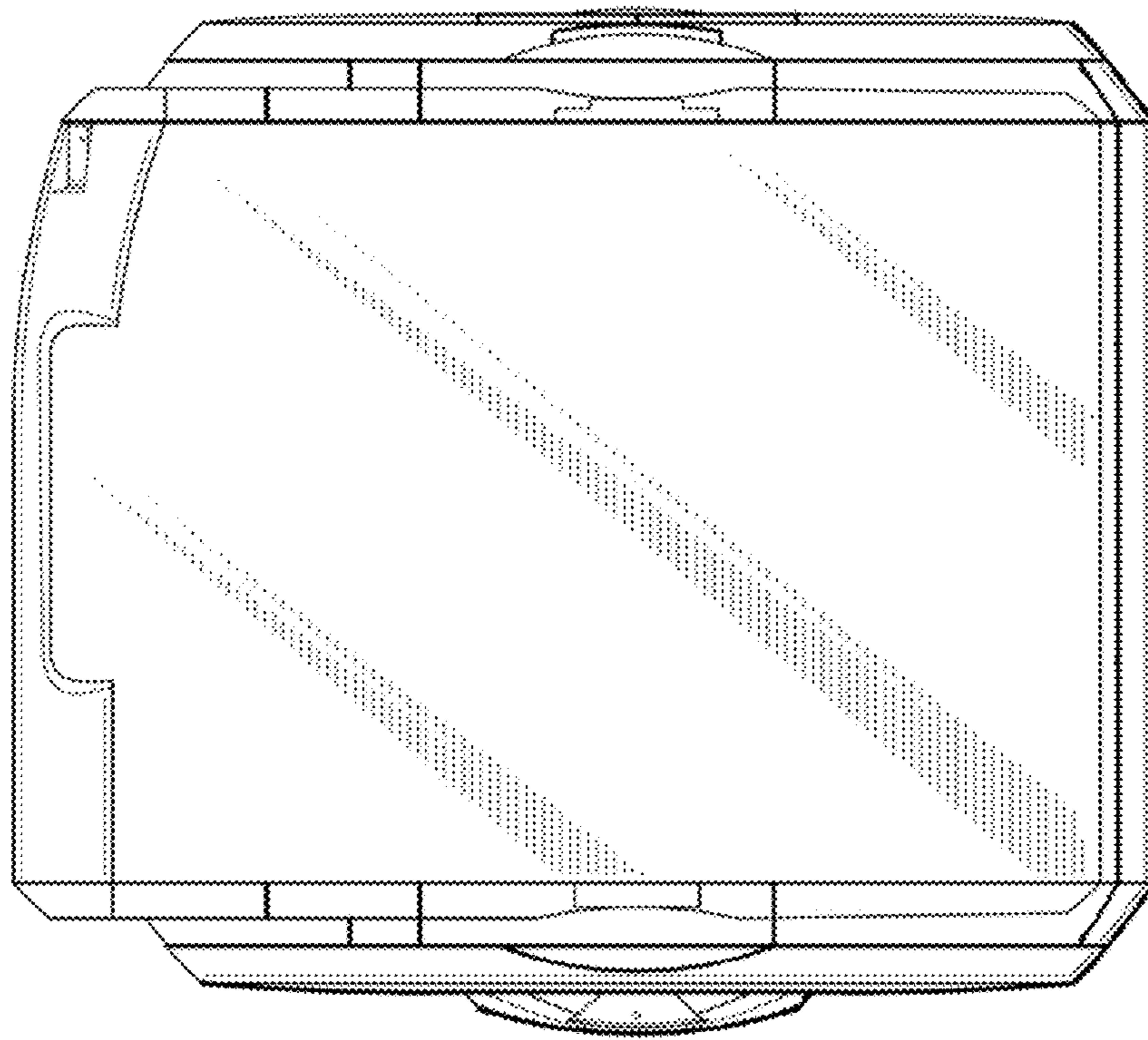


FIG. 6

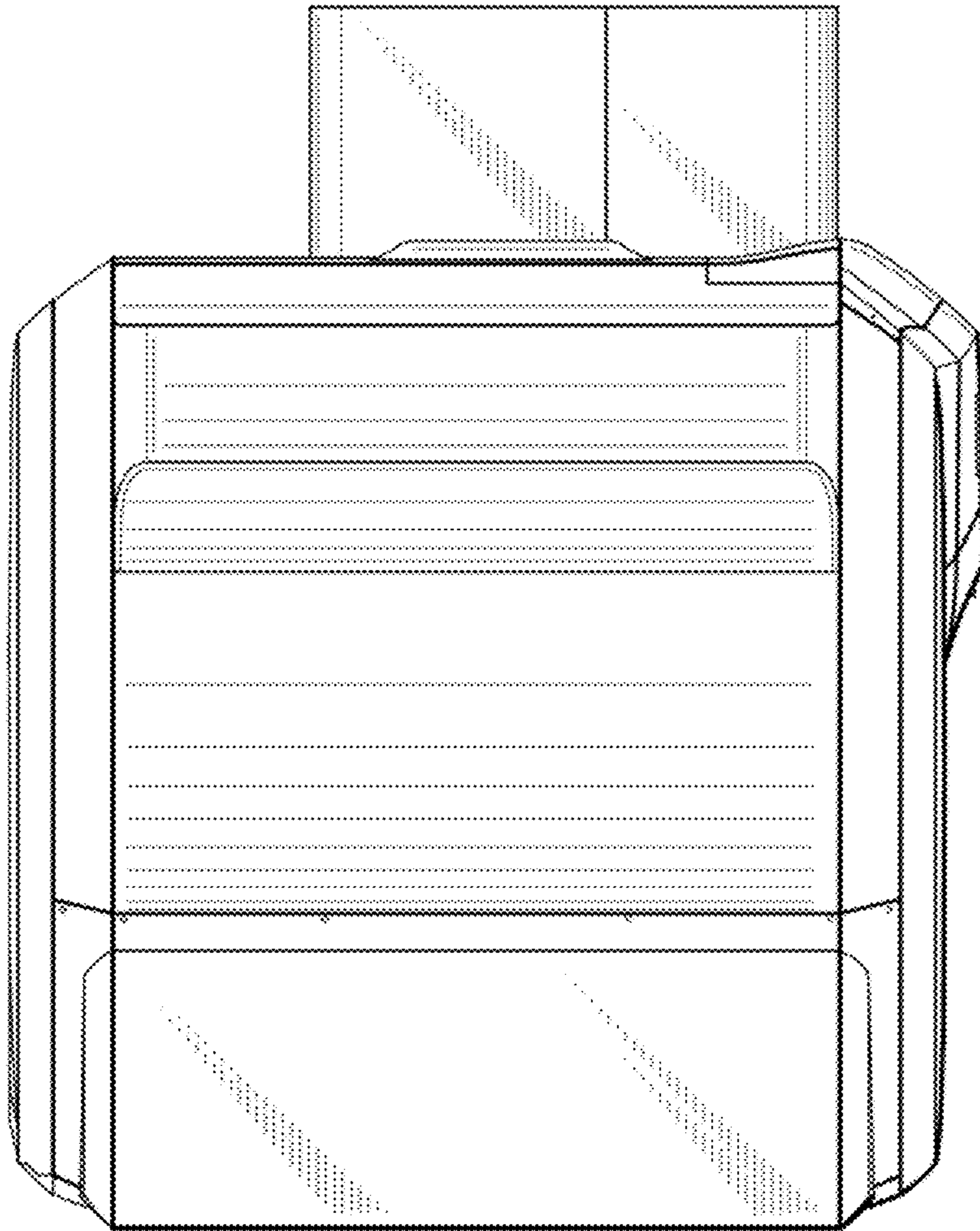


FIG. 7

