

US00D738504S

(12) **United States Design Patent**
Weiner et al.

(10) **Patent No.:** **US D738,504 S**

(45) **Date of Patent:** **** Sep. 8, 2015**

(54) **HAMMERTOE IMPLANT**

(71) Applicant: **Nextremity Solutions, Inc.**, Red Bank, NJ (US)

(72) Inventors: **Lon S. Weiner**, Rumson, NJ (US);
Stuart D. Katchis, Scarsdale, NY (US);
John R. Pepper, Cheshire, CT (US)

(73) Assignee: **Nextremity Solutions, Inc.**, Red Bank, NJ (US)

(**) Term: **14 Years**

(21) Appl. No.: **29/499,535**

(22) Filed: **Aug. 15, 2014**

Related U.S. Application Data

(63) Continuation of application No. 13/632,337, filed on Oct. 1, 2012.

(51) **LOC (10) Cl.** **24-02**

(52) **U.S. Cl.**
USPC **D24/155**

(58) **Field of Classification Search**
USPC D24/155, 156
CPC A61F 6/04; A61F 6/065; A61F 2/4225;
A61F 2/4241; A61F 2002/4233; A61F
2002/4235; A61F 2002/4228; A61F
2002/30205; A61F 2002/30224
See application file for complete search history.

(56) **References Cited**

U.S. PATENT DOCUMENTS

5,683,466 A * 11/1997 Vitale 623/21.15
D577,121 S * 9/2008 Nishida et al. D24/155

D583,944 S * 12/2008 Nishida et al. D24/155
D642,270 S * 7/2011 McAfee D24/155
D720,458 S * 12/2014 Hagenmeyer D24/155
2011/0301653 A1 * 12/2011 Reed et al. 606/319
2012/0065692 A1 * 3/2012 Champagne et al. 606/311
2013/0090740 A1 * 4/2013 Linares et al. 623/21.19
2014/0052196 A1 * 2/2014 McGinley et al. 606/319
2014/0142715 A1 * 5/2014 McCormick 623/21.19
2015/0088266 A1 * 3/2015 Sander et al. 623/21.19
2015/0094778 A1 * 4/2015 McCormick et al. 606/319

* cited by examiner

Primary Examiner — Ian Simmons

Assistant Examiner — Charles Hanson

(74) *Attorney, Agent, or Firm* — Heslin Rothenberg Farley & Mesiti, P.C.

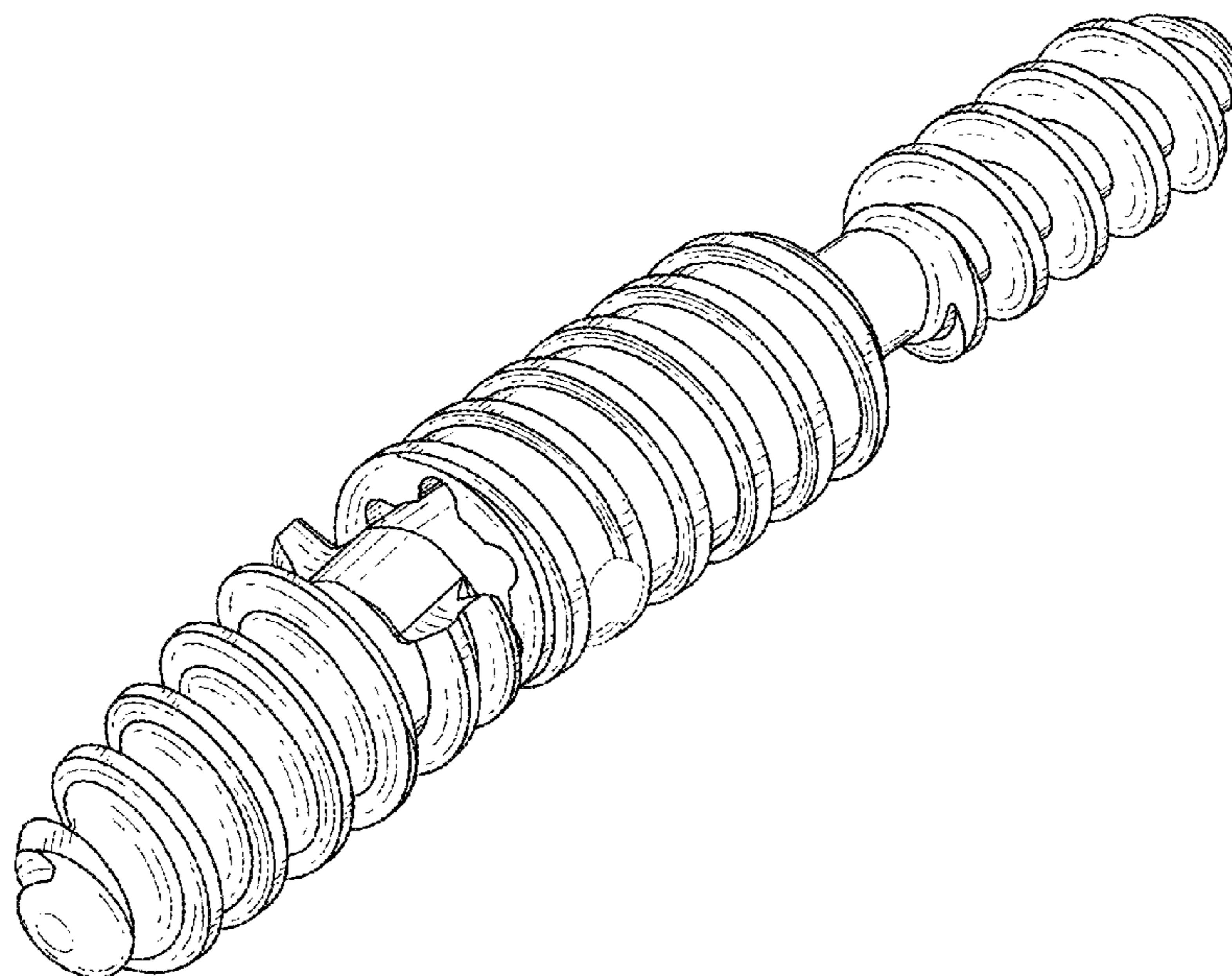
(57) **CLAIM**

The ornamental design for a hammertoe implant, as shown and described.

DESCRIPTION

FIG. 1 is a front perspective view of the hammertoe implant comprising the new design;
FIG. 2 is a rear perspective view of the design of FIG. 1;
FIG. 3 is a left side elevational view of the design of FIG. 1;
FIG. 4 is a right side elevational view of the design of FIG. 1;
FIG. 5 is a front elevational view of the design of FIG. 1;
FIG. 6 is a back elevational view of the design of FIG. 1;
FIG. 7 is a top view of the design of FIG. 1; and,
FIG. 8 is a bottom view of the design of FIG. 1.
The broken lines in the figures are directed to the environment and are for illustrative purposes only; the broken lines form no part of the claimed invention.

1 Claim, 3 Drawing Sheets



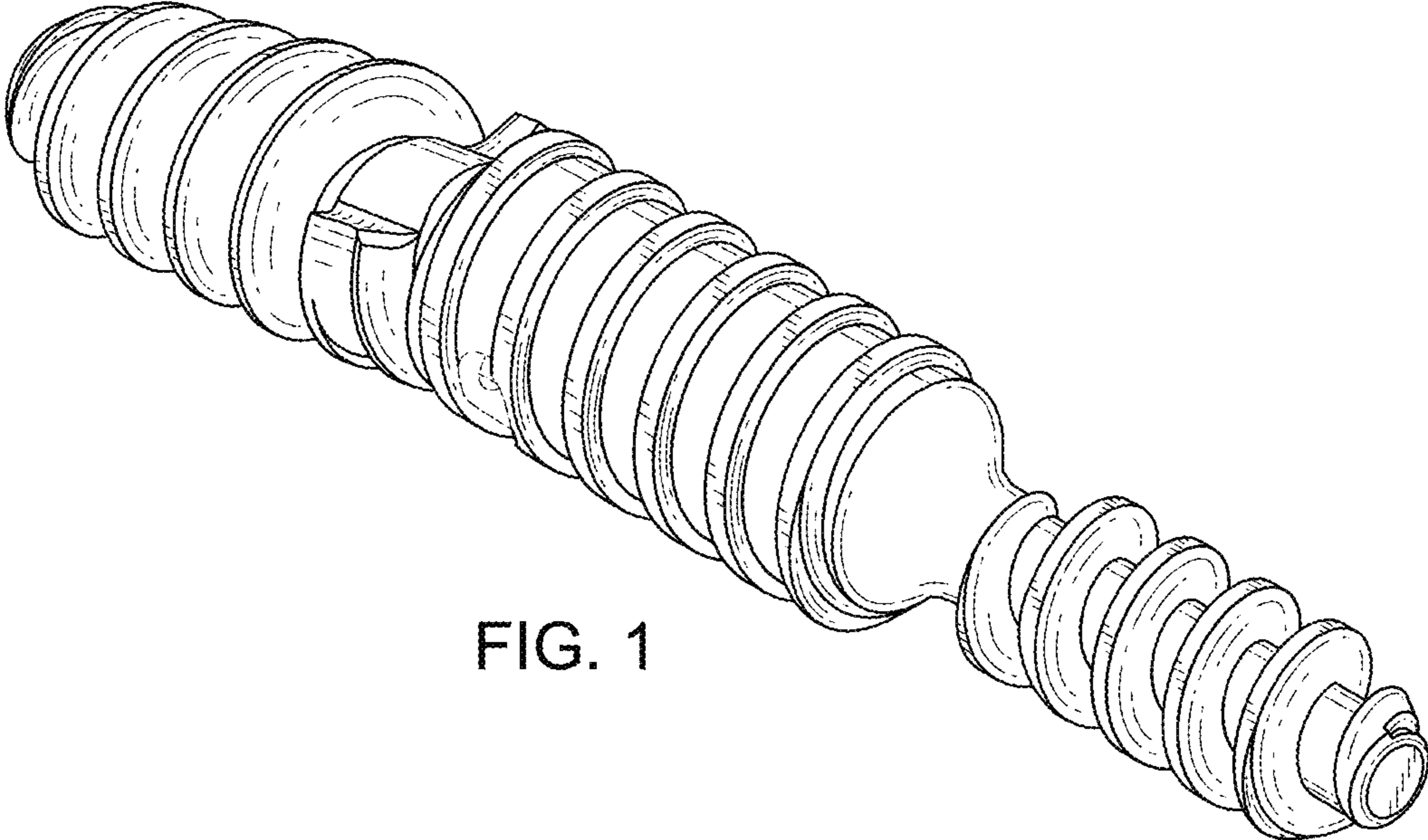


FIG. 1

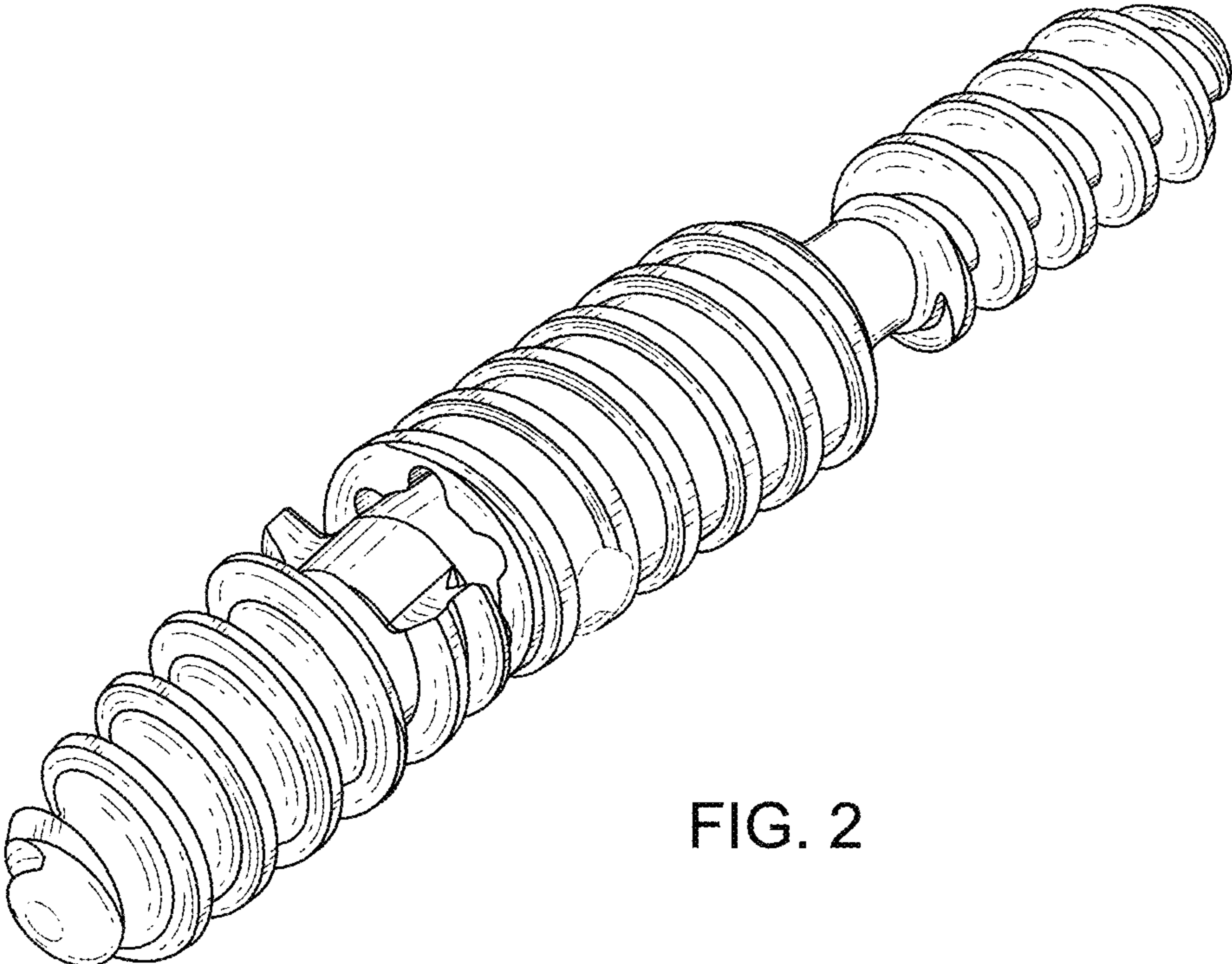


FIG. 2

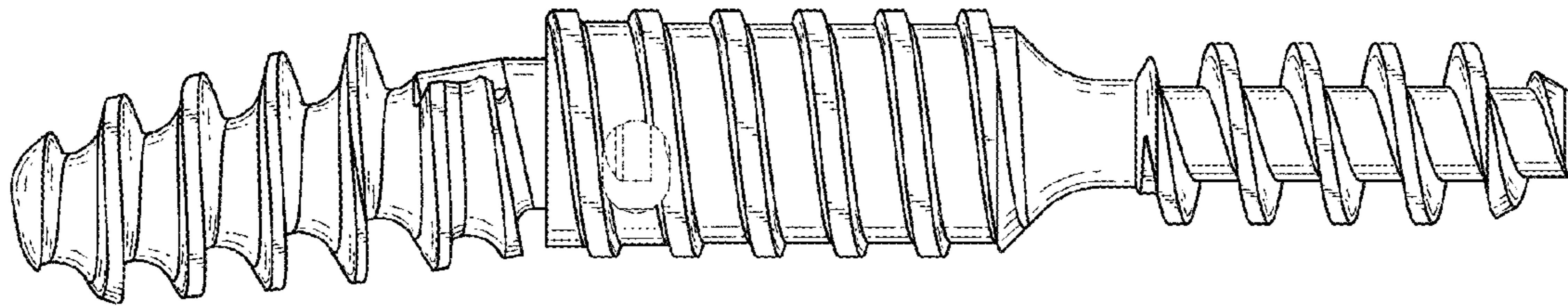


FIG. 3

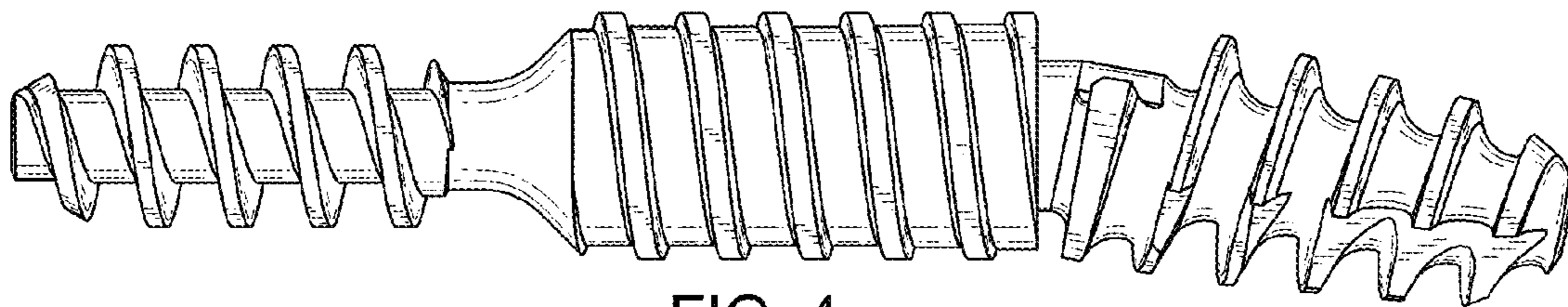


FIG. 4

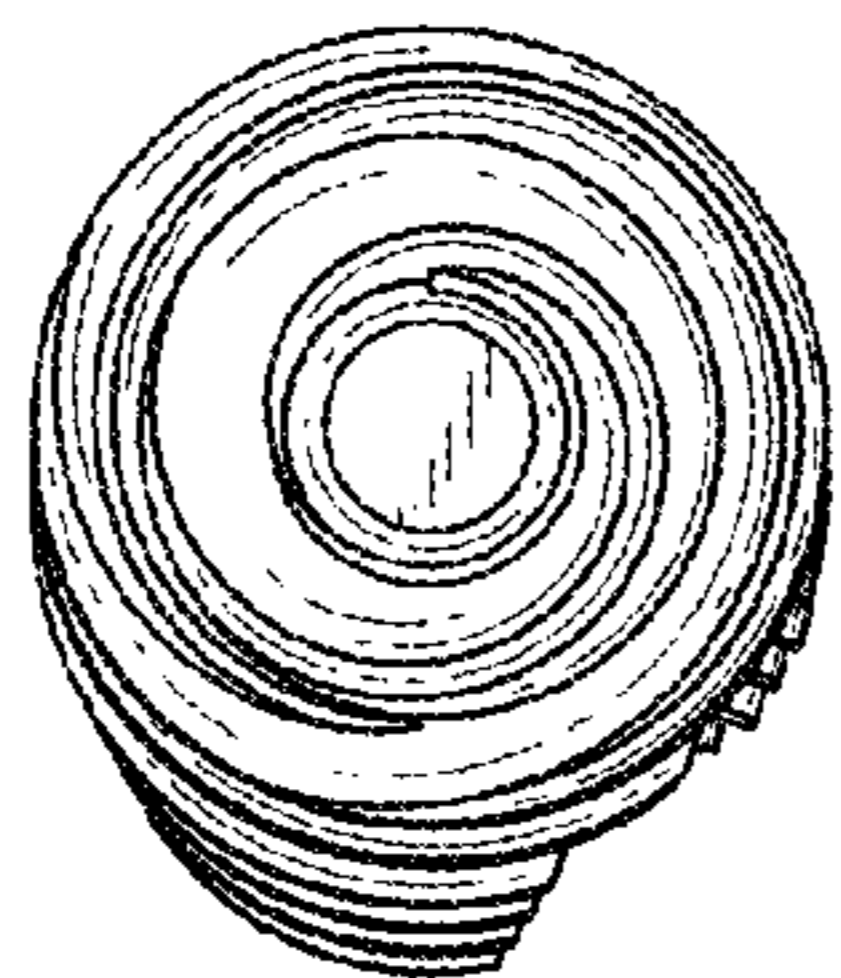


FIG. 5

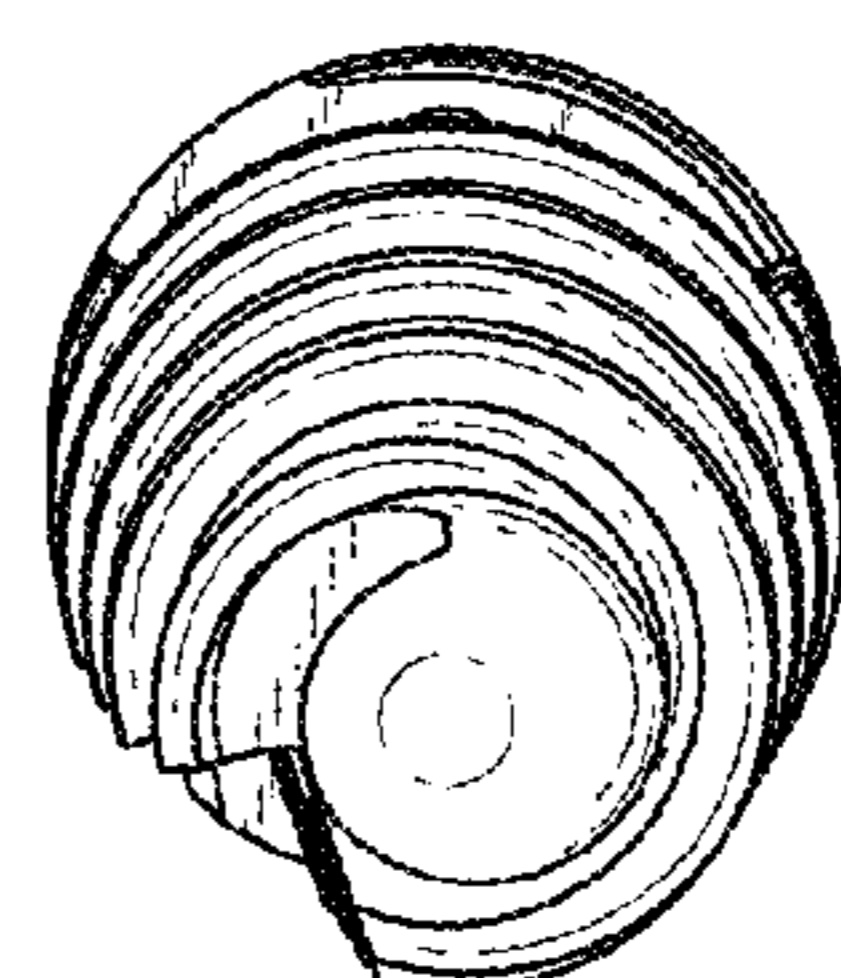


FIG. 6

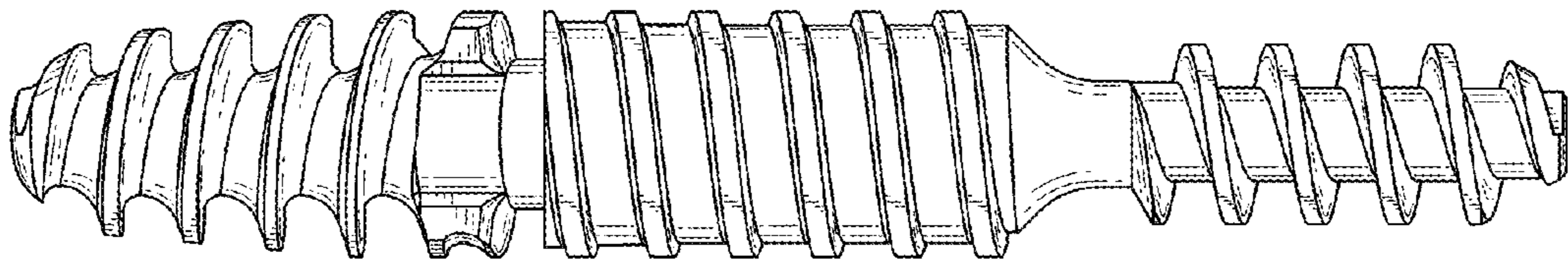


FIG. 7

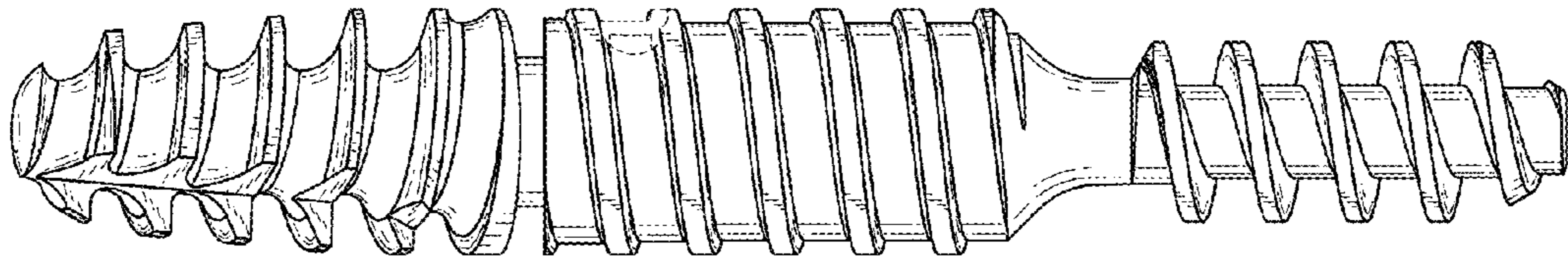


FIG. 8