



US00D738503S

(12) **United States Design Patent**
Md Kassim et al.

(10) **Patent No.:** **US D738,503 S**
(45) **Date of Patent:** **** Sep. 8, 2015**

(54) **DEVICE FOR OPTICAL PHYSIOLOGICAL MEASUREMENT**

(75) Inventors: **Md Irwan bin Md Kassim**, Synapse (SG); **Juliana Chua**, Synapse (SG)

(73) Assignee: **Nitto Denko Corporation**, Osaka (JP)

(**) Term: **14 Years**

(21) Appl. No.: **29/413,460**

(22) Filed: **Feb. 15, 2012**

(30) **Foreign Application Priority Data**

Jan. 5, 2012 (SG) D2012/33/F

(51) **LOC (10) Cl.** **24-02**

(52) **U.S. Cl.**
USPC **D24/150**

(58) **Field of Classification Search**
USPC D10/70, 100; D14/348, 358, 432, 433, D14/434, 435, 435.1, 507; D24/133, 150, D24/172, 177, 231; 600/318, 356, 383, 400, 600/401, 558, 236; 351/212
See application file for complete search history.

(56) **References Cited**

U.S. PATENT DOCUMENTS

D425,199 S * 5/2000 Muramatsu D24/133
D474,184 S * 5/2003 Taniguchi et al. D14/435
D528,548 S * 9/2006 Tang D14/435
D536,788 S * 2/2007 Trifilio D24/133
D618,240 S * 6/2010 Larmour et al. D14/358
D634,326 S * 3/2011 Gehrke D14/435.1
D651,105 S * 12/2011 Teo et al. D10/78
D684,113 S * 6/2013 Han et al. D13/103

D684,976 S * 6/2013 Akana et al. D14/433
D693,805 S * 11/2013 Sip et al. D14/358
D705,782 S * 5/2014 McParland et al. D14/435
D707,680 S * 6/2014 Akana et al. D14/433
8,761,853 B2 * 6/2014 Thaveeprungsriporn et al. 600/323

* cited by examiner

Primary Examiner — Robert M Spear

Assistant Examiner — Marissa J Cash

(74) *Attorney, Agent, or Firm* — Miller Nash Graham & Dunn LLP; Kathleen T. Petrich

(57) **CLAIM**

We claim the ornamental design for a device for optical physiological measurement, as shown and described.

DESCRIPTION

FIG. 1 is front view of a device for optical physiological measurement illustrated with a cap attached and with a front protective pouch shown in broken lines that do not form the claimed design in front of two holes that are part of the claimed design;

FIG. 2 is a perspective view thereof;

FIG. 3 is a side elevation view thereof (both sides being mirror images of each other);

FIG. 4 is a rear view thereof;

FIG. 5 is a top plan view thereof;

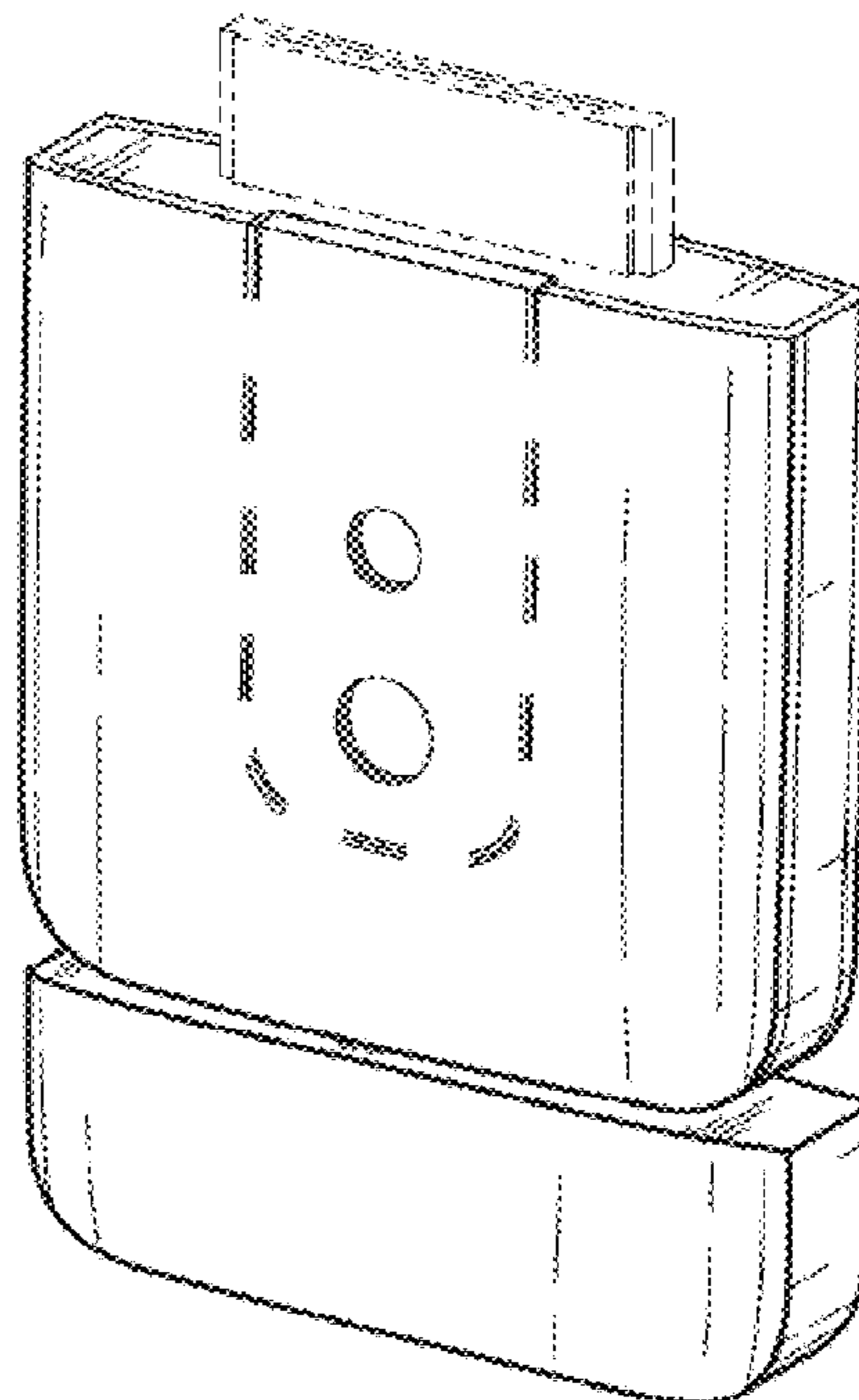
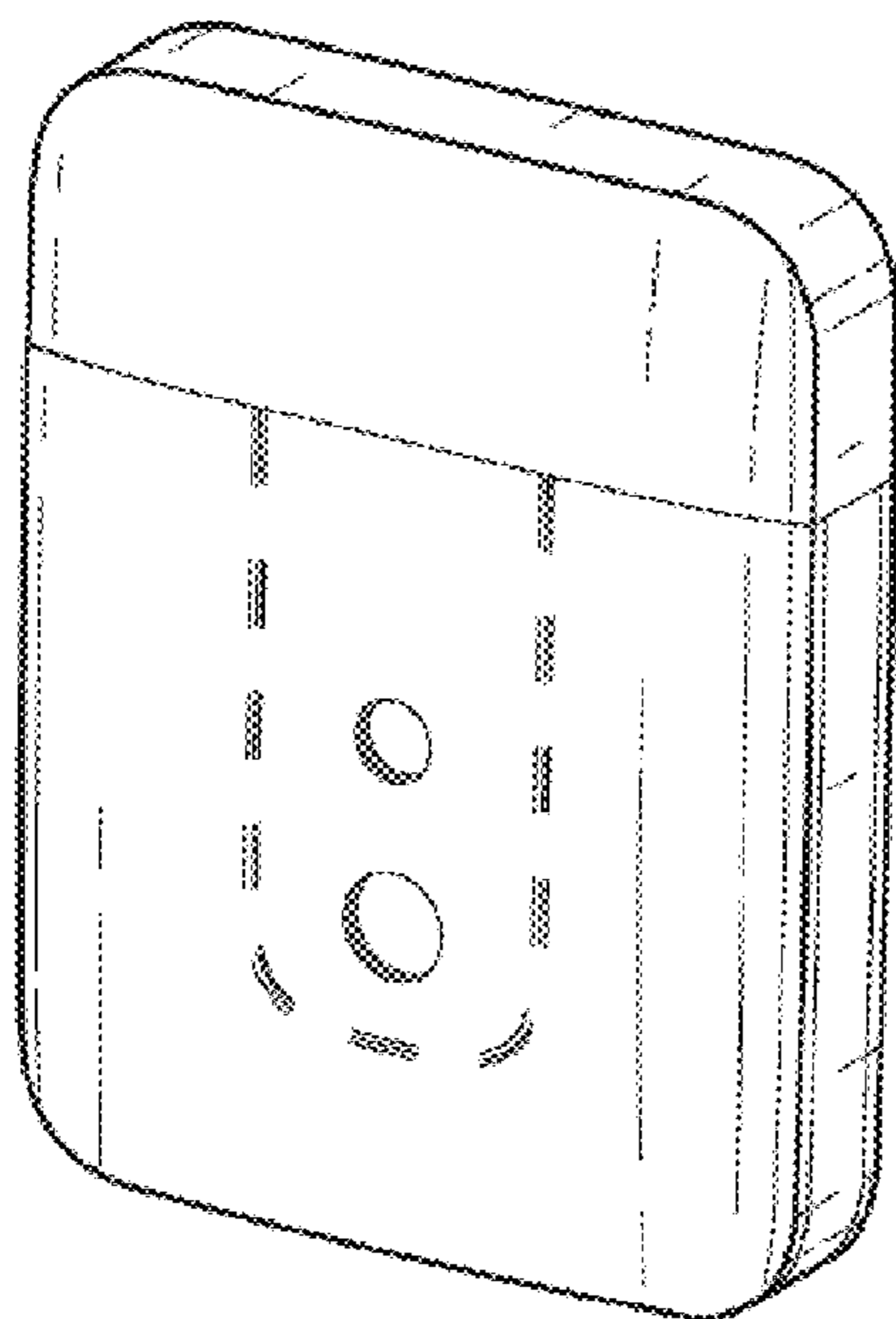
FIG. 6 is a bottom plan view thereof with an oval shaped cavity illustrated in broken lines; and,

FIG. 7 is a front perspective view of the device with the cap off and attached at the bottom of the device.

The claimed subject matter extends to the boundary but does not include the boundary.

The broken lines in the drawings represent unclaimed environmental subject matter and form no part of the claim.

1 Claim, 7 Drawing Sheets



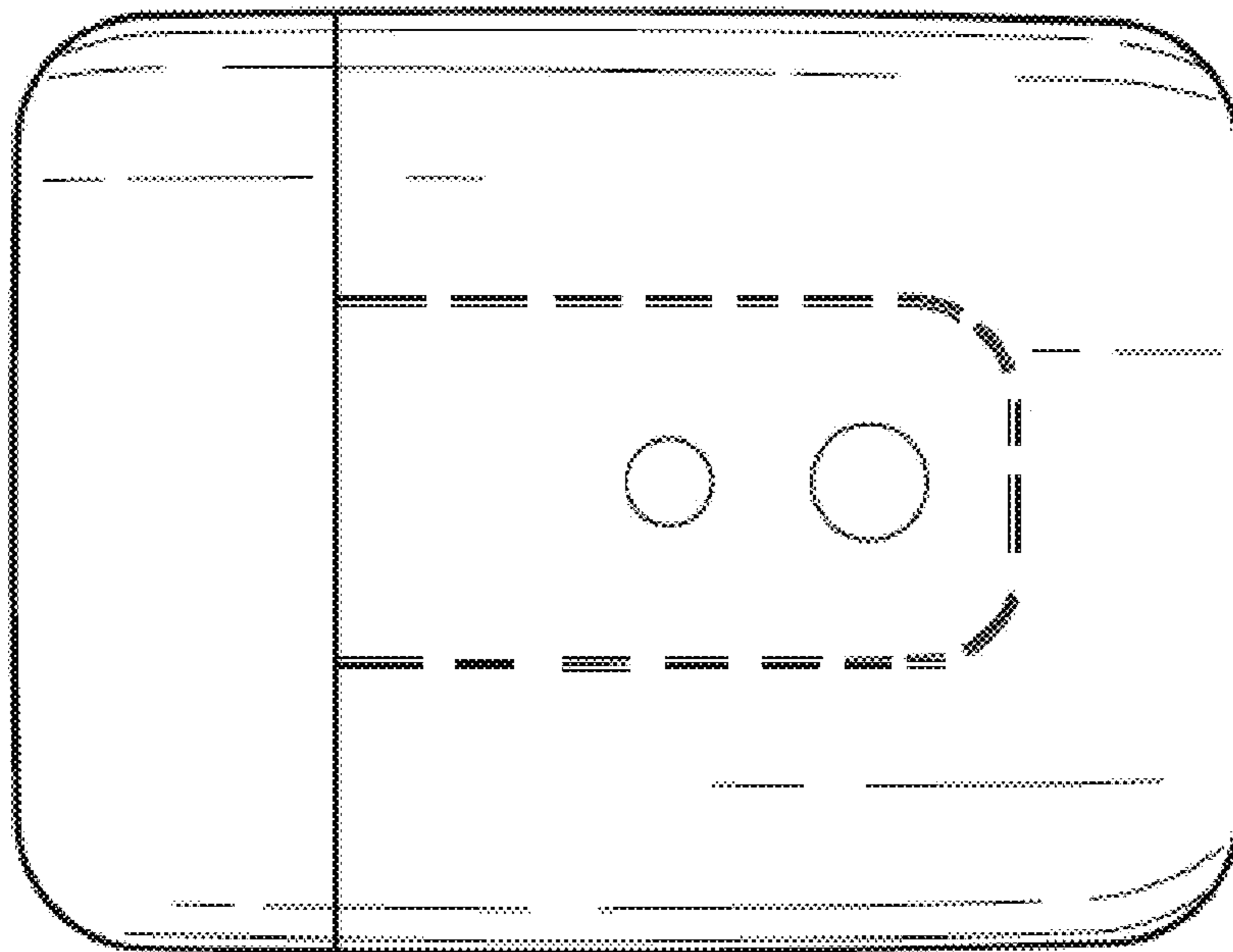


Fig. 1

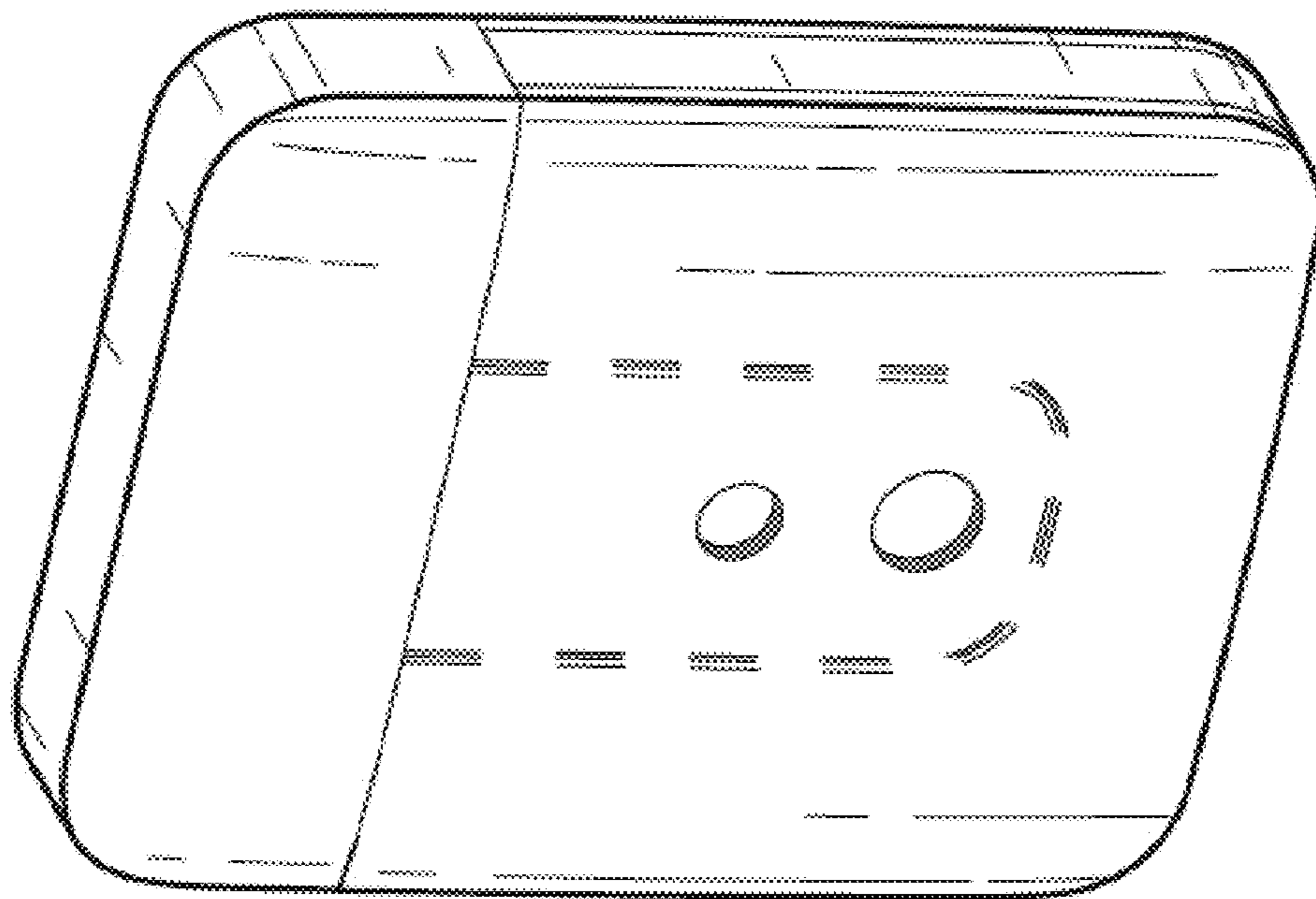


Fig. 2



Fig. 3

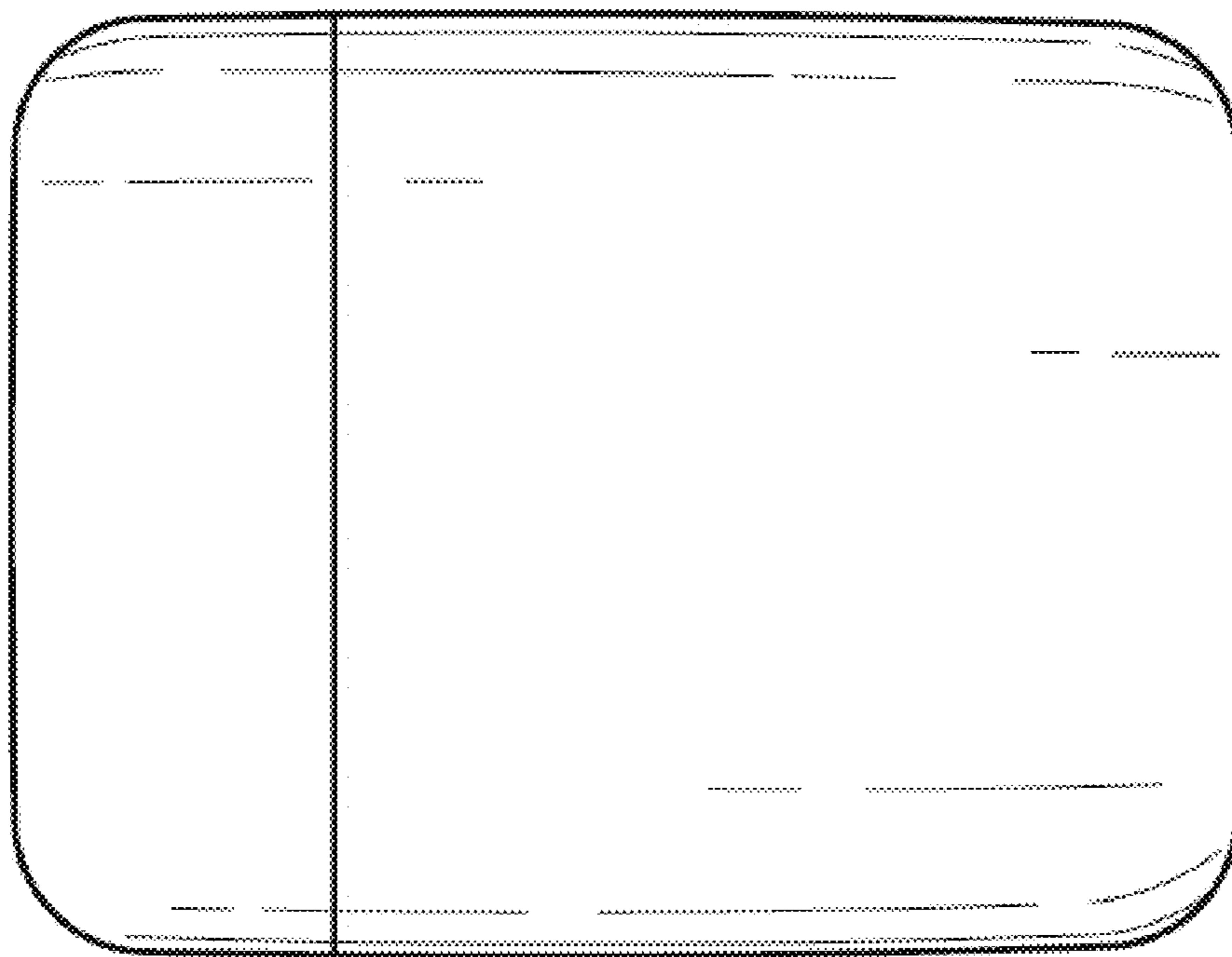


Fig. 4

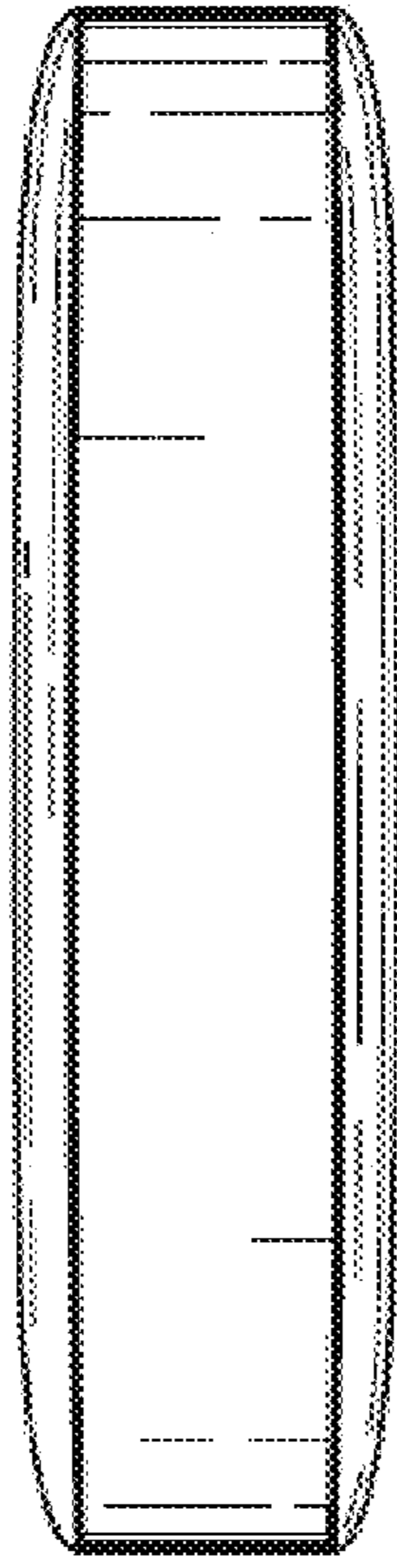


Fig. 5

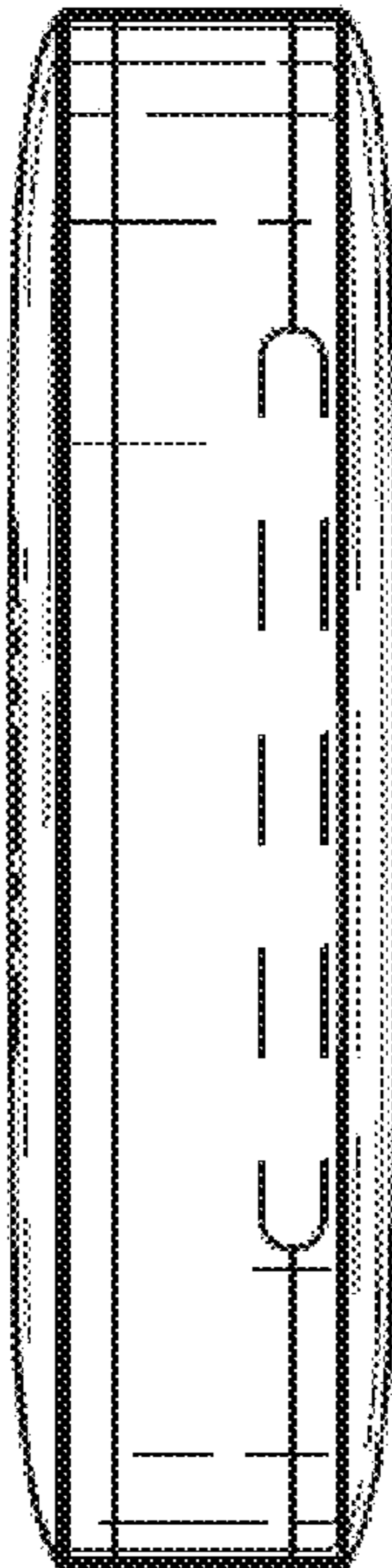


Fig. 6

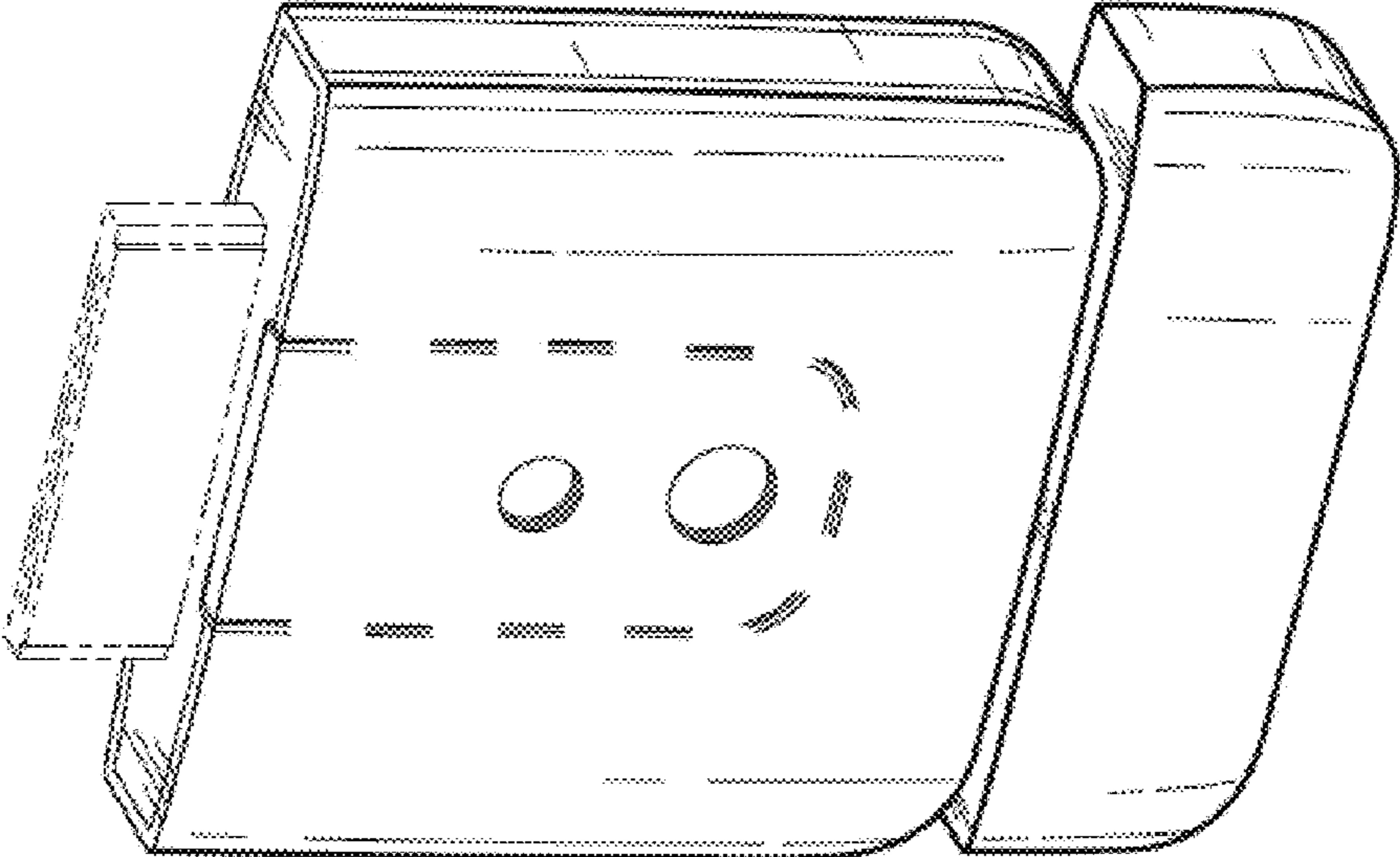


Fig. 7