



US00D738501S

(12) **United States Design Patent**
Renner

(10) **Patent No.:** **US D738,501 S**

(45) **Date of Patent:** **** *Sep. 8, 2015**

(54) **LARYNGOSCOPE BLADE WITH HANDLE**

(75) Inventor: **Martin Renner**, Emmingen-Liptingen (DE)

(73) Assignee: **KARL STORZ GmbH & Co. KG**, Tuttlingen (DE)

(*) Notice: This patent is subject to a terminal disclaimer.

(**) Term: **14 Years**

(21) Appl. No.: **29/413,331**

(22) Filed: **Feb. 14, 2012**

(30) **Foreign Application Priority Data**

Sep. 20, 2011 (EM) 001920232-0010

(51) **LOC (10) Cl.** **24-02**

(52) **U.S. Cl.**
USPC **D24/146**

(58) **Field of Classification Search**
USPC D7/649; D8/14.1, 29.1, 92, 93, 95, 97, D8/98, 99; D19/110, 115; D24/130, 133, D24/146, 147, 150, 151; 600/185, 186, 187
CPC A61M 16/0488; A61M 16/04; A61M 15/0003

See application file for complete search history.

(56) **References Cited**

U.S. PATENT DOCUMENTS

D271,135 S	*	10/1983	Greenblatt	D24/138
D544,601 S	*	6/2007	Iqbal	D24/137
D562,452 S	*	2/2008	Iqbal	D24/137
D611,598 S	*	3/2010	Tenger et al.	D24/133
D630,742 S	*	1/2011	Tenger et al.	D24/137

(Continued)

Primary Examiner — Robert M Spear

Assistant Examiner — Marissa J Cash

(74) *Attorney, Agent, or Firm* — Muncy, Geissler, Olds & Lowe, P.C.

(57) **CLAIM**

The ornamental design for a laryngoscope blade with handle, as shown and described.

DESCRIPTION

FIG. 1 is a left side elevational view of a laryngoscope blade with handle according to a first embodiment of the present invention.

FIG. 2 is a right side elevational view of the laryngoscope blade with handle of FIG. 1.

FIG. 3 is a front elevational view of the laryngoscope blade with handle of FIG. 1.

FIG. 4 is a rear elevational view of the laryngoscope blade with handle of FIG. 1.

FIG. 5 is a top plan view of the laryngoscope blade with handle of FIG. 1.

FIG. 6 is a bottom plan view of the laryngoscope blade with handle of FIG. 1.

FIG. 7 is a perspective view of the laryngoscope blade with handle of FIG. 1.

FIG. 8 is a left side elevational view of a laryngoscope blade with handle according to a second embodiment of the present invention.

FIG. 9 is a right side elevational view of the laryngoscope blade with handle of FIG. 8.

FIG. 10 is a front elevational view of the laryngoscope blade with handle of FIG. 8.

FIG. 11 is a rear elevational view of the laryngoscope blade with handle of FIG. 8.

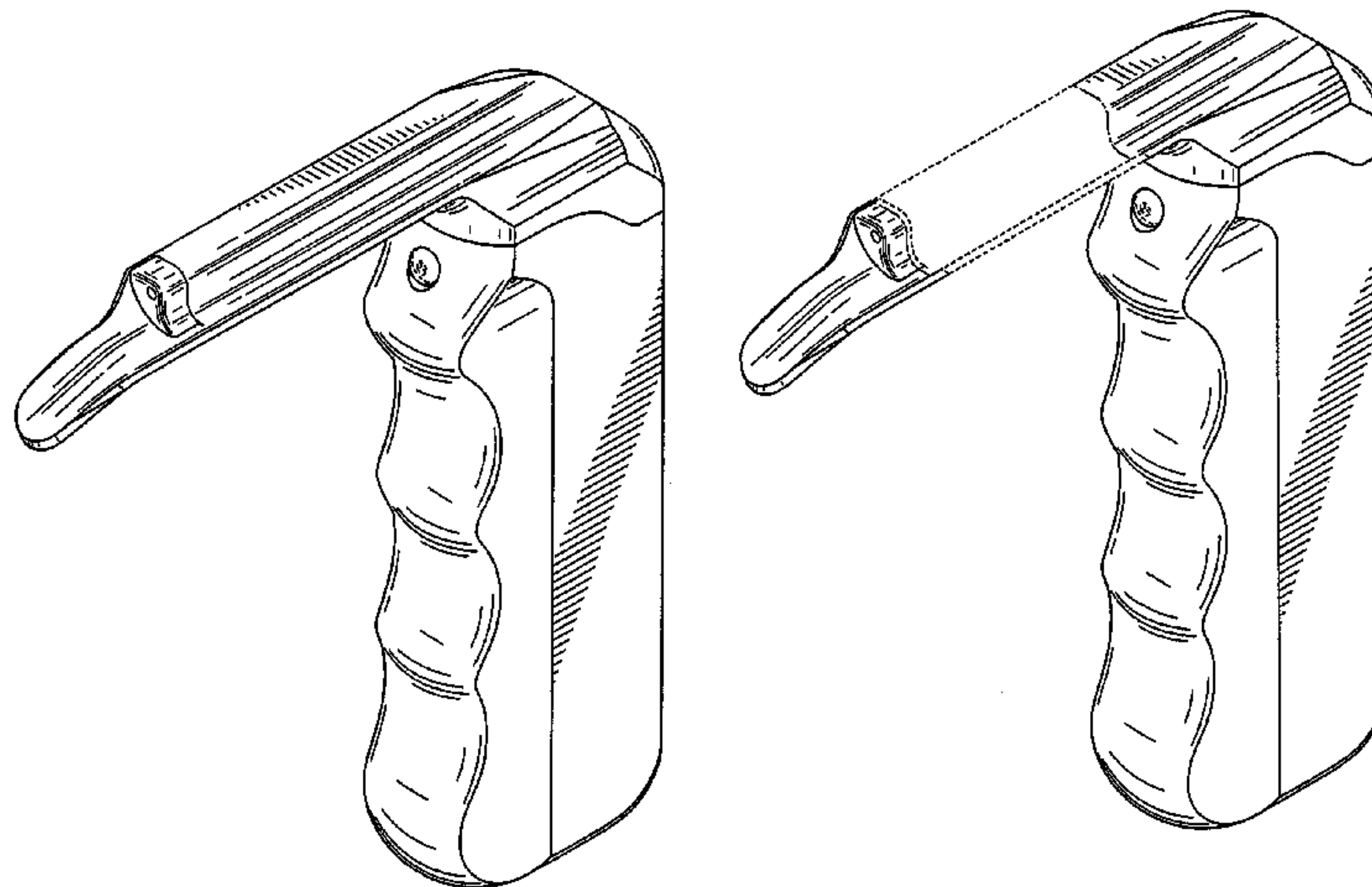
FIG. 12 is a top plan view of the laryngoscope blade with handle of FIG. 8.

FIG. 13 is a bottom plan view of the laryngoscope blade with handle of FIG. 8; and,

FIG. 14 is a perspective view of the laryngoscope blade with handle of FIG. 8.

The dashed lines illustrate environment that does not form a part of the present invention, and no claim is made to the material illustrated with dashed lines.

1 Claim, 14 Drawing Sheets



US D738,501 S

Page 2

(56)

References Cited

U.S. PATENT DOCUMENTS

D631,158 S * 1/2011 Doerges D24/137
D632,787 S * 2/2011 Tenger et al. D24/133
D714,123 S * 9/2014 Hicks D8/98

2008/0234549 A1* 9/2008 Geist et al. 600/194
2008/0300464 A1* 12/2008 Dhingra et al. 600/199
2010/0121152 A1* 5/2010 Boedeker 600/187
2012/0330103 A1* 12/2012 Tenger et al. 600/188
2013/0225929 A1* 8/2013 Alsip 600/197

* cited by examiner

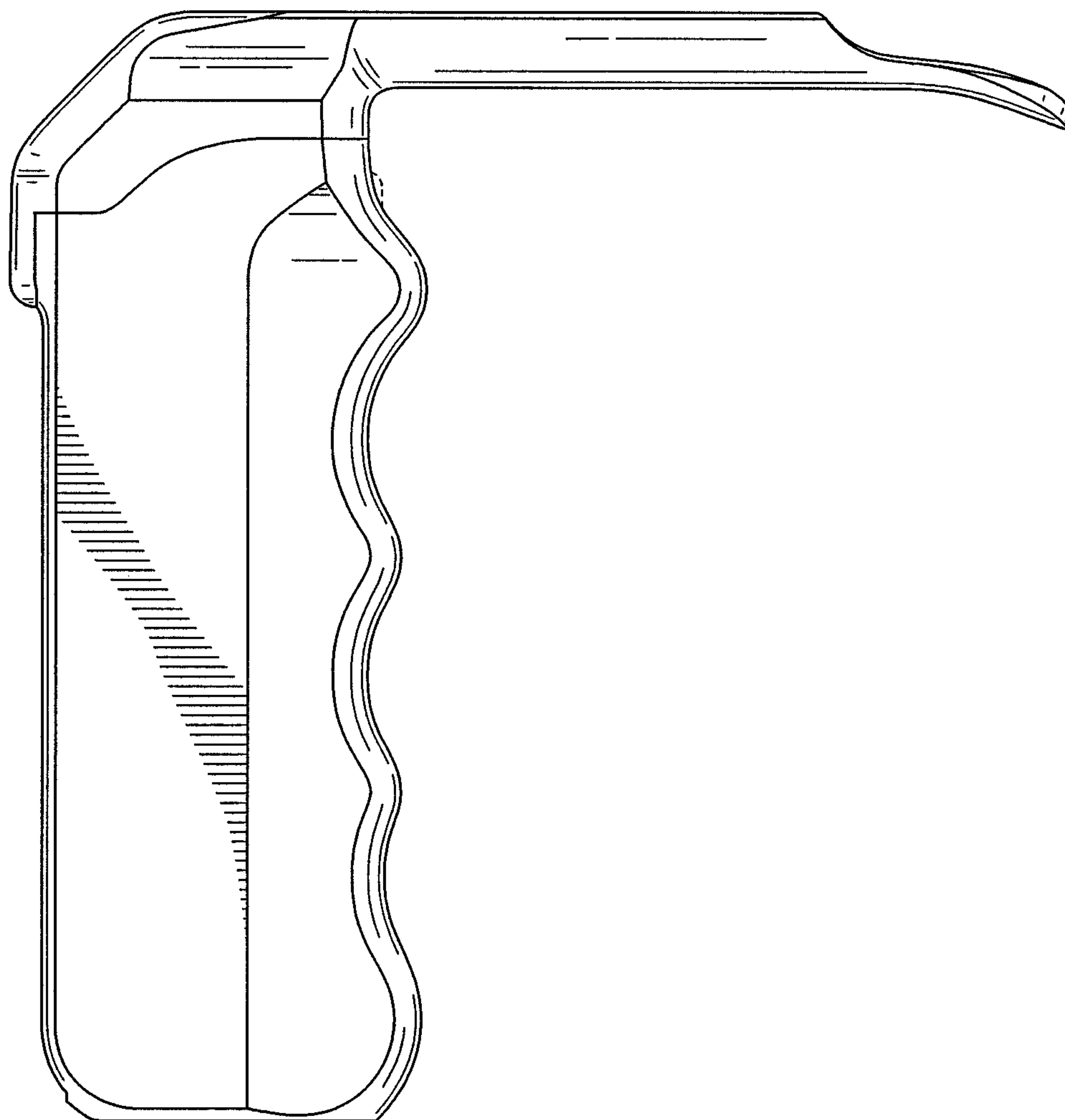


FIG. 1

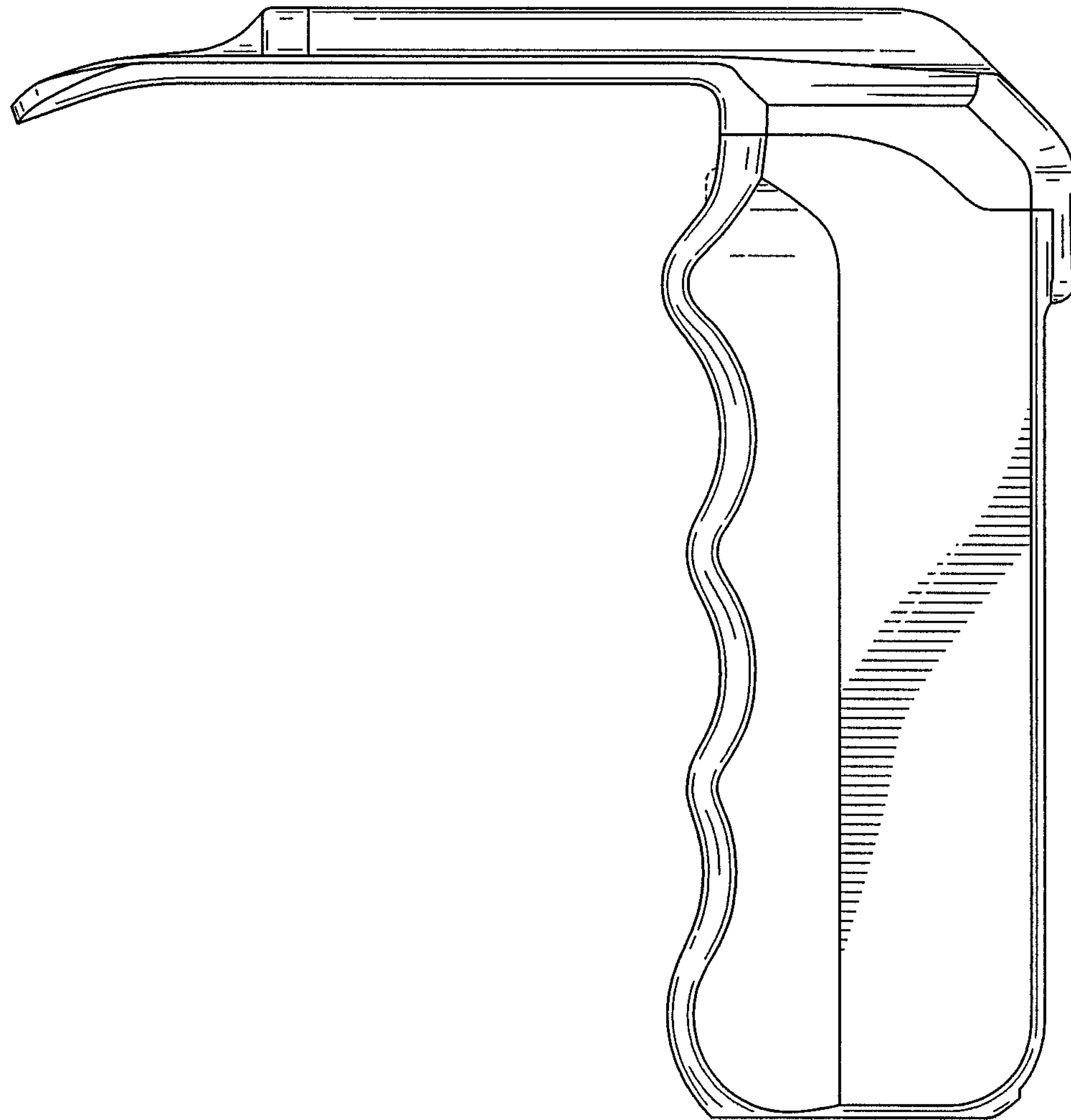


FIG. 2

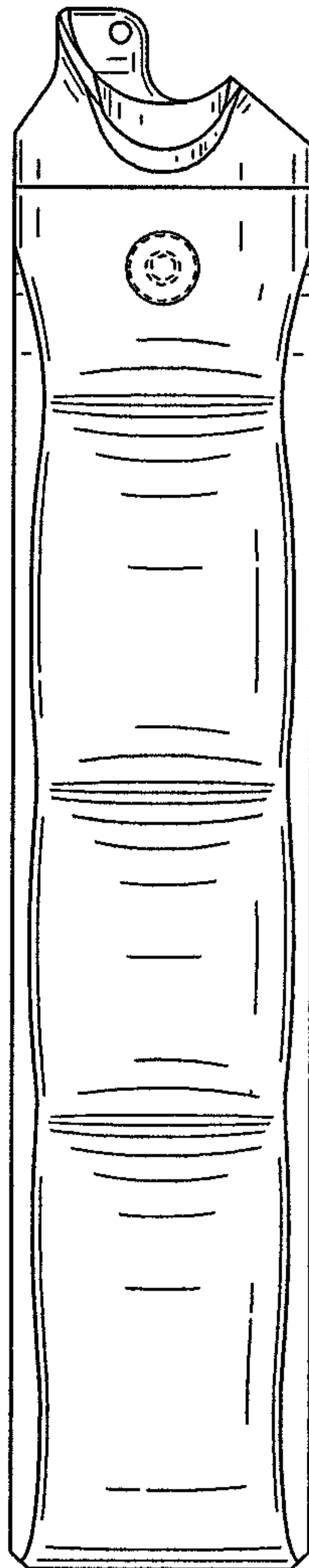


FIG. 3

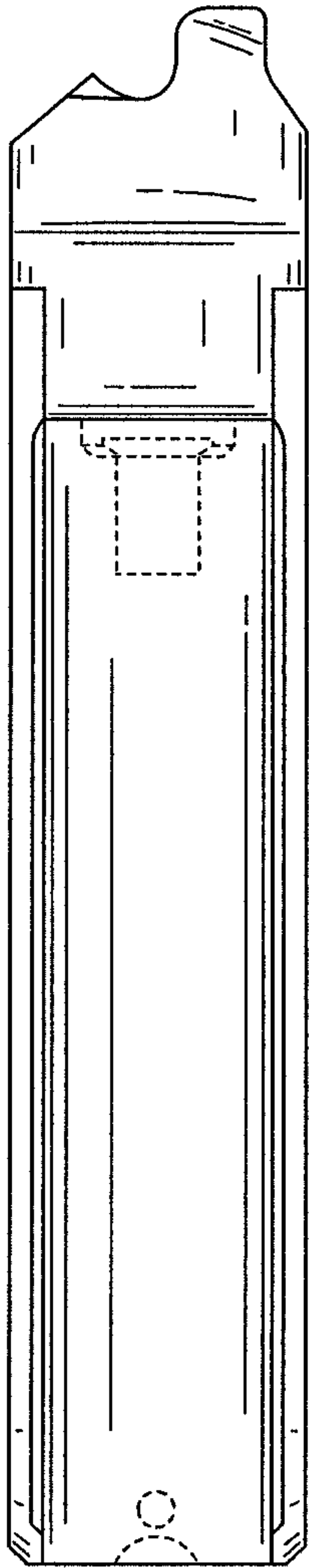


FIG. 4

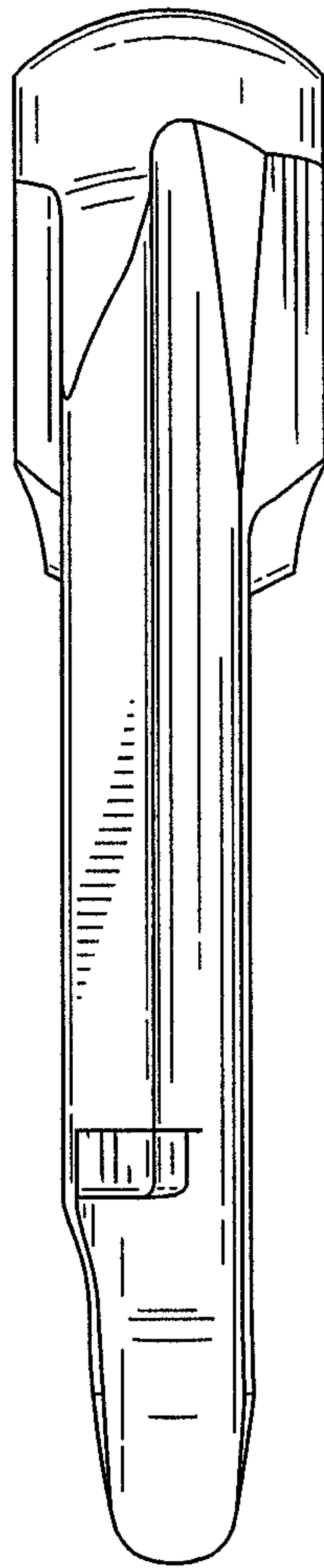


FIG. 5

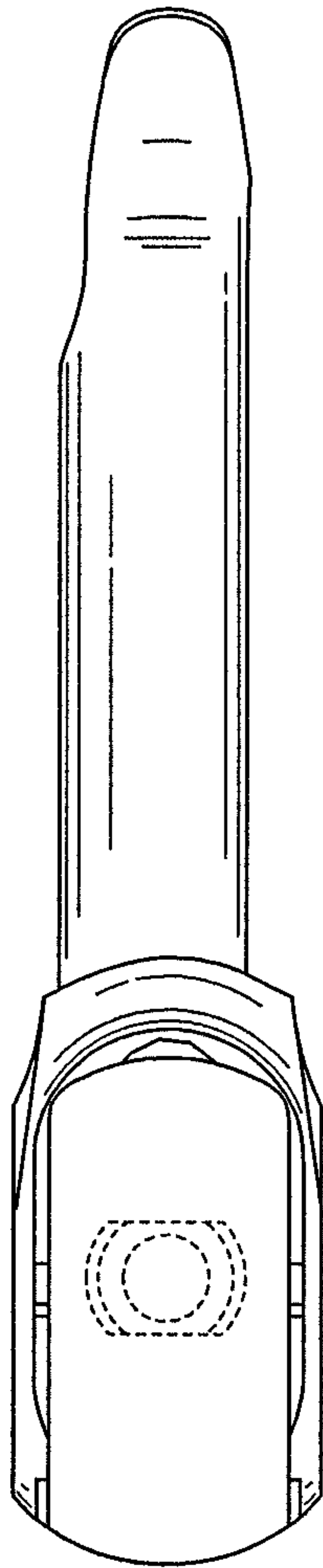


FIG. 6

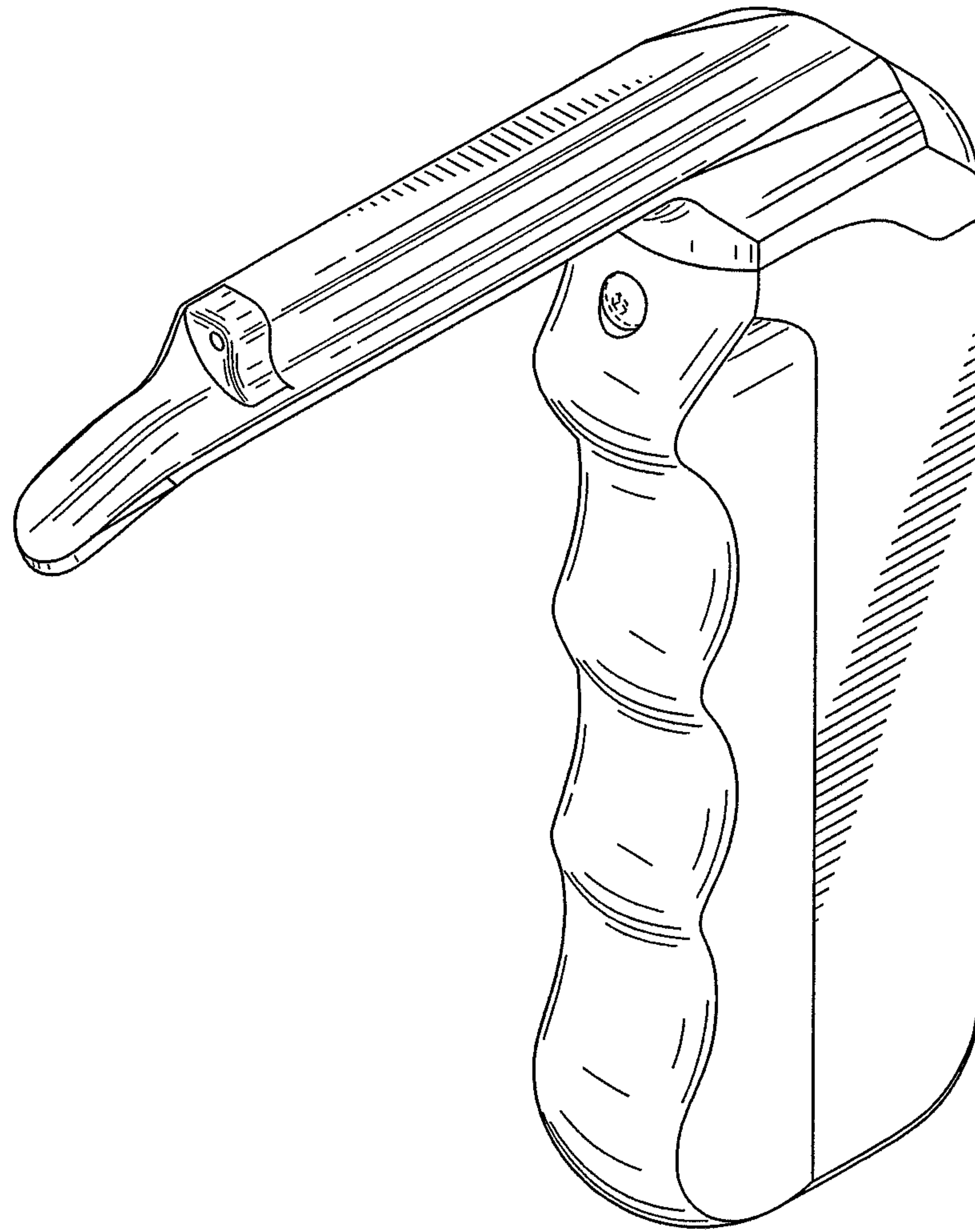


FIG. 7

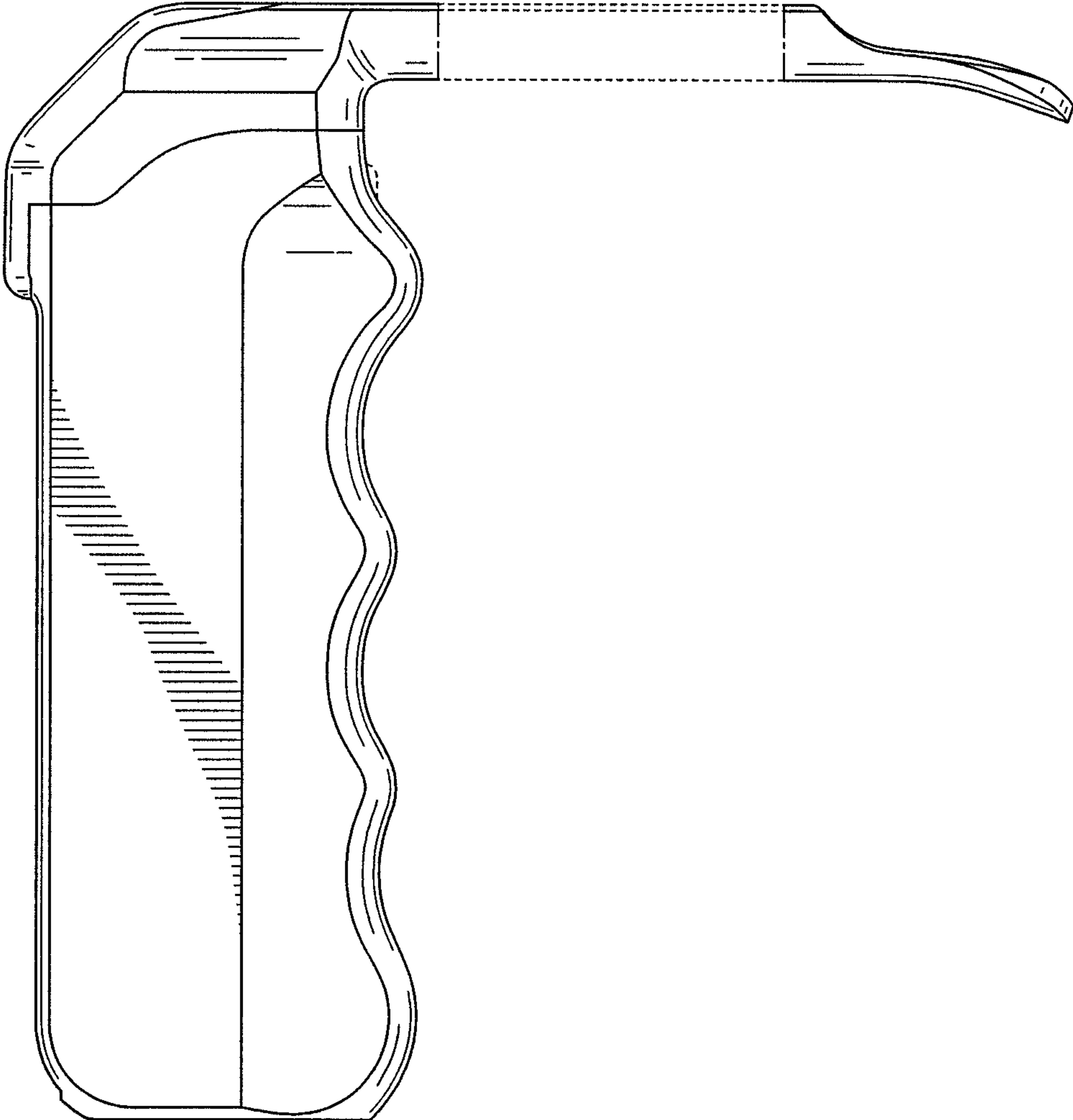


FIG. 8

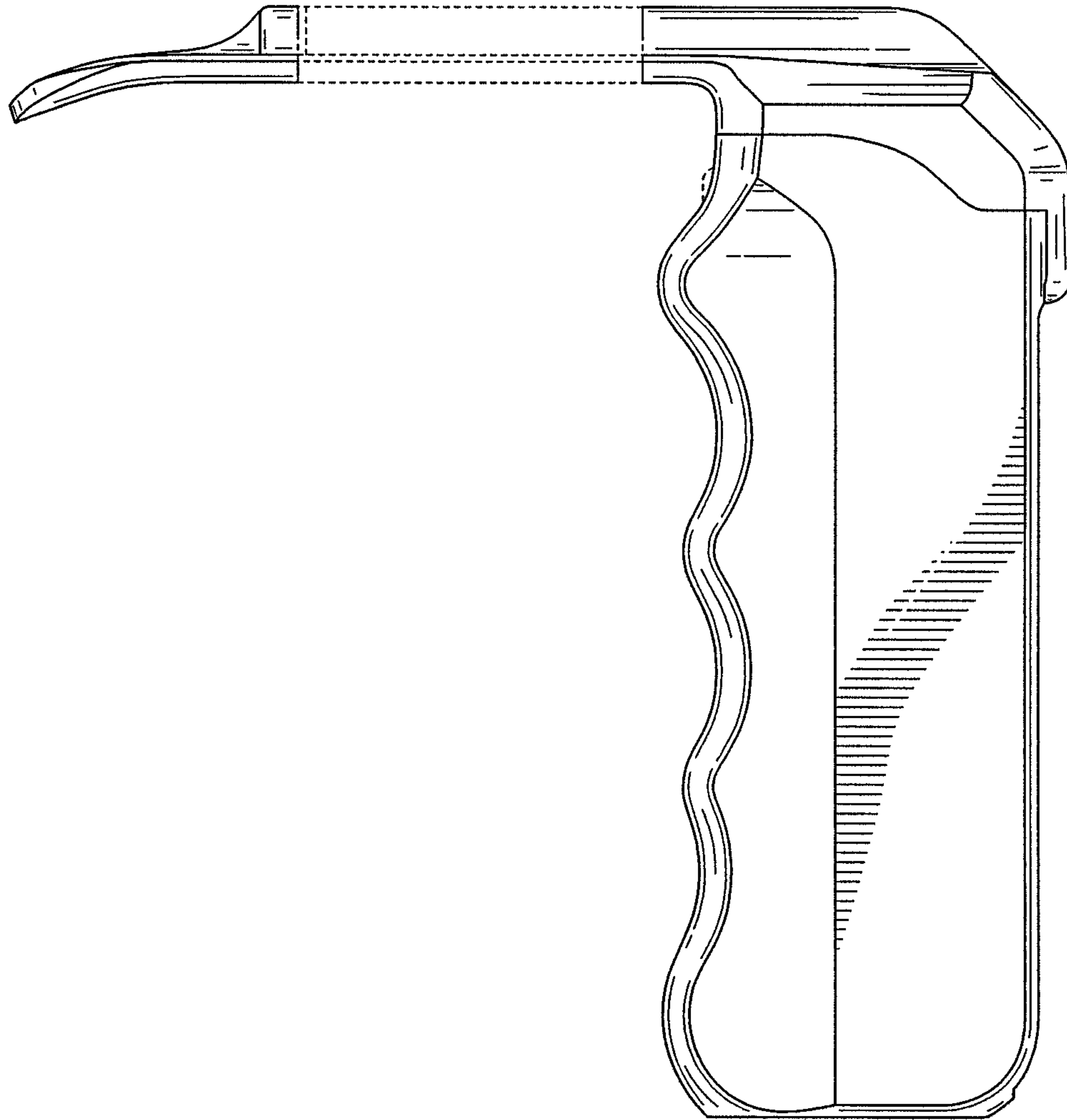


FIG. 9

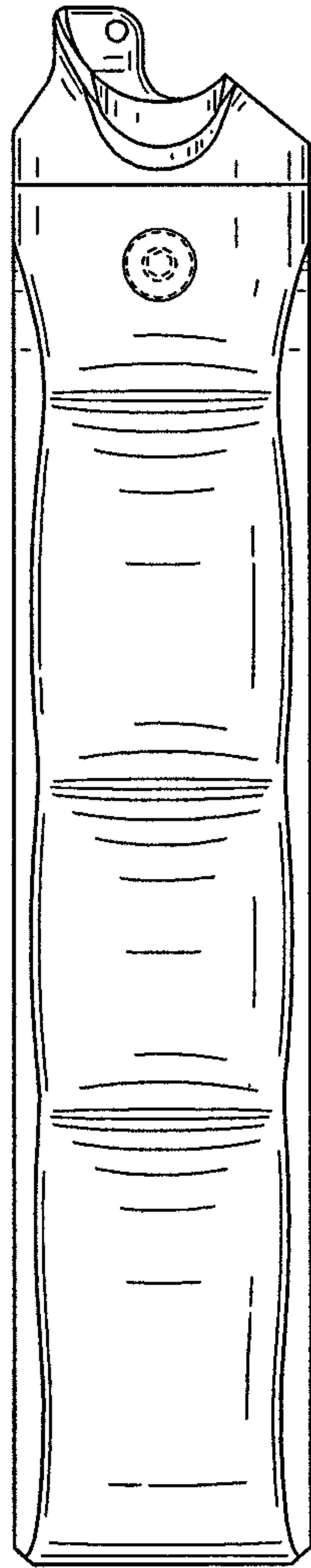


FIG. 10

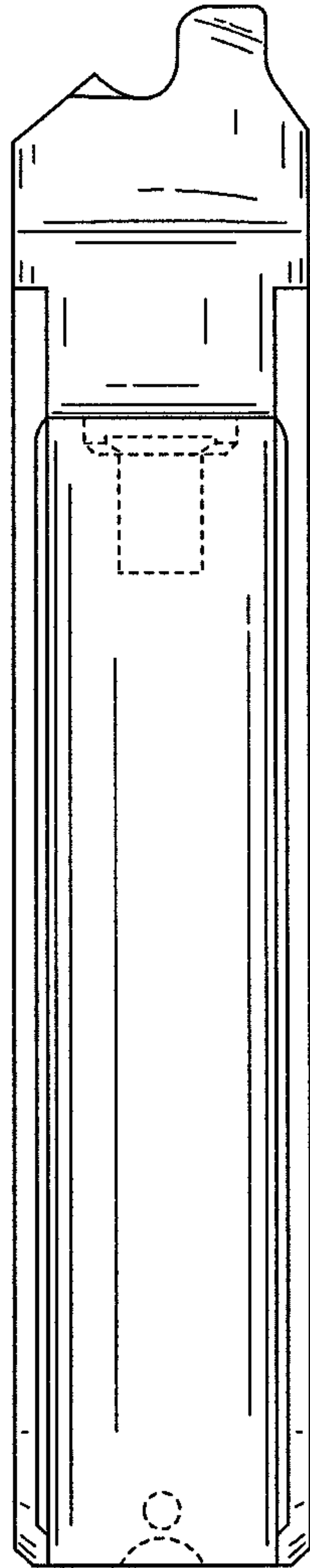


FIG. 11

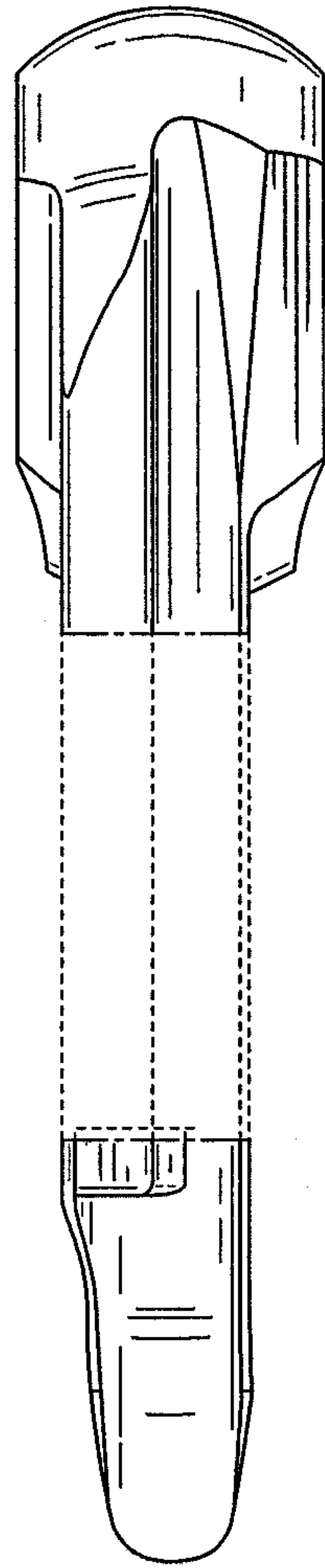


FIG. 12

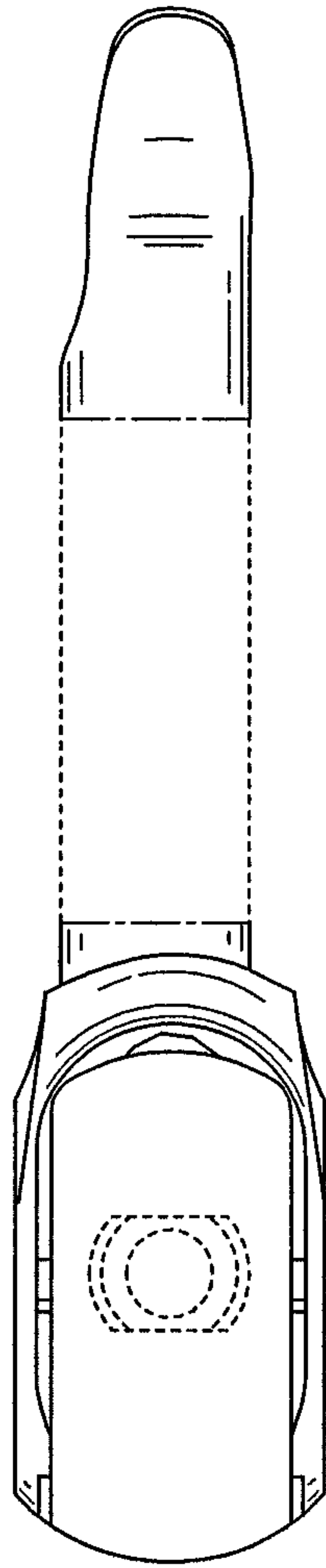


FIG. 13

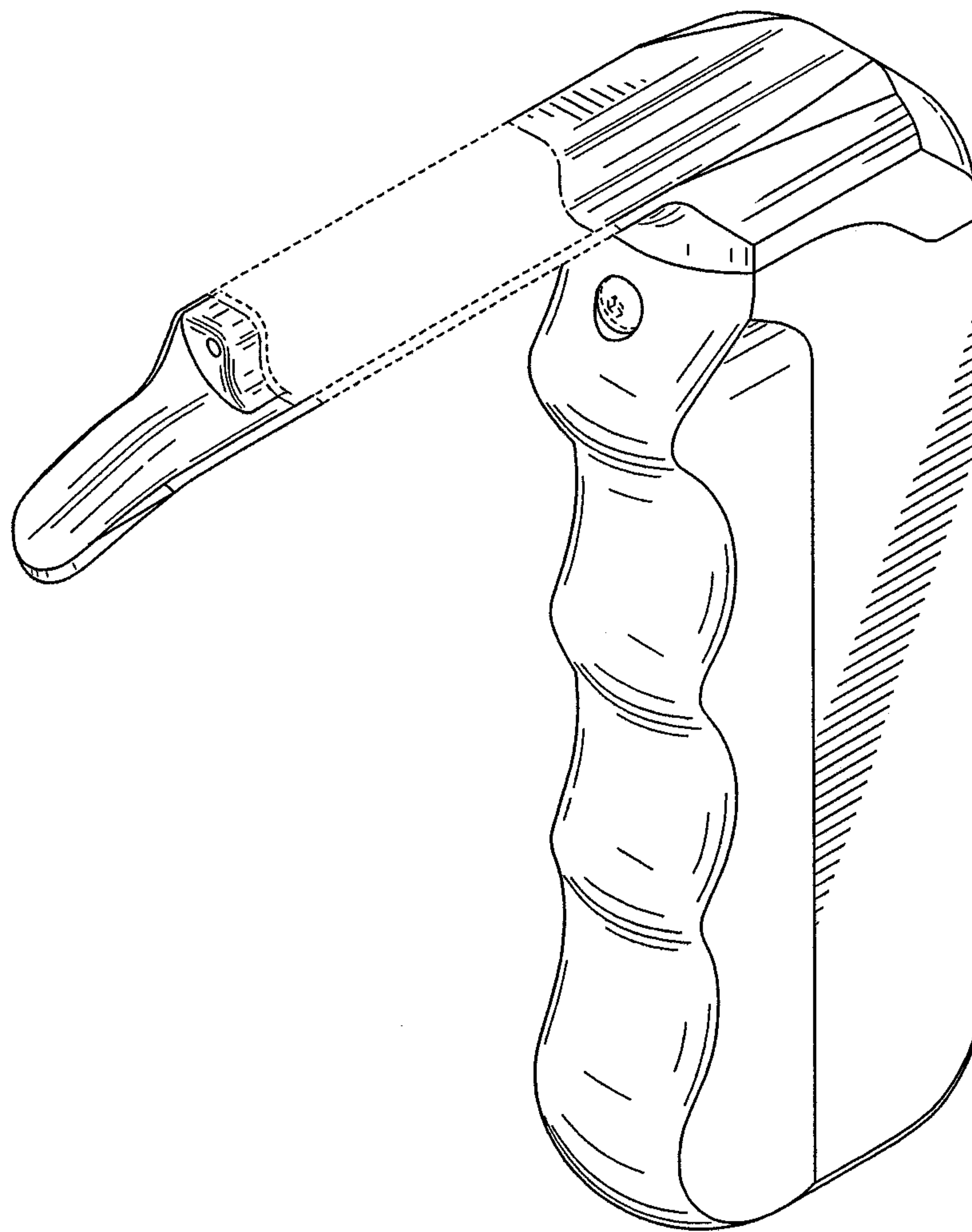


FIG. 14