



US00D738500S

(12) **United States Design Patent**  
**Richard et al.**

(10) **Patent No.:** **US D738,500 S**

(45) **Date of Patent:** **\*\* \*Sep. 8, 2015**

(54) **SEAL ANCHOR FOR USE IN SURGICAL PROCEDURES**

(71) Applicant: **Covidien LP**, Mansfield, MA (US)

(72) Inventors: **Paul D. Richard**, Shelton, CT (US);  
**Russell Heinrich**, Madison, CT (US)

(73) Assignee: **Covidien LP**, Mansfield, MA (US)

(\*) Notice: This patent is subject to a terminal disclaimer.

(\*\*) Term: **14 Years**

(21) Appl. No.: **29/493,029**

(22) Filed: **Jun. 5, 2014**

**Related U.S. Application Data**

(63) Continuation of application No. 13/400,143, filed on Feb. 20, 2012, which is a continuation of application No. 12/244,024, filed on Oct. 2, 2008, now abandoned.

(51) **LOC (10) Cl.** ..... **24-02**

(52) **U.S. Cl.**  
USPC ..... **D24/145**

(58) **Field of Classification Search**  
USPC ..... D24/145, 127, 129, 133, 140, 147, 108;  
600/203-208, 201, 226, 235;  
604/167.01, 167.03, 174-175, 93.01,  
604/99.04, 164.11, 173, 256, 264; 606/108  
CPC ..... A61B 17/3423; A61B 2017/3445;  
A61B 2017/3429; A61B 17/3431; A61B  
2017/3466; A61B 17/0057; A61B 2017/3447  
See application file for complete search history.

(56) **References Cited**

**U.S. PATENT DOCUMENTS**

2,468,985 A 5/1949 Krotz  
3,402,710 A 9/1968 Paleschuck

3,495,586 A 2/1970 Regenbogen  
3,674,007 A 7/1972 Freis  
4,016,884 A 4/1977 Kwan-Gett  
4,112,932 A 9/1978 Chiulli  
4,183,357 A 1/1980 Bentley et al.  
4,356,826 A 11/1982 Kubota  
4,402,683 A 9/1983 Kopman  
D276,937 S 12/1984 Griggs  
4,653,476 A 3/1987 Bonnet

(Continued)

**FOREIGN PATENT DOCUMENTS**

CA 2702419 11/2010  
EP 0226026 6/1987

(Continued)

**OTHER PUBLICATIONS**

U.S. Appl. No. 13/362,021, filed Jan. 31, 2012, Russell Pribanic.

(Continued)

*Primary Examiner* — Wan Laymon

(57) **CLAIM**

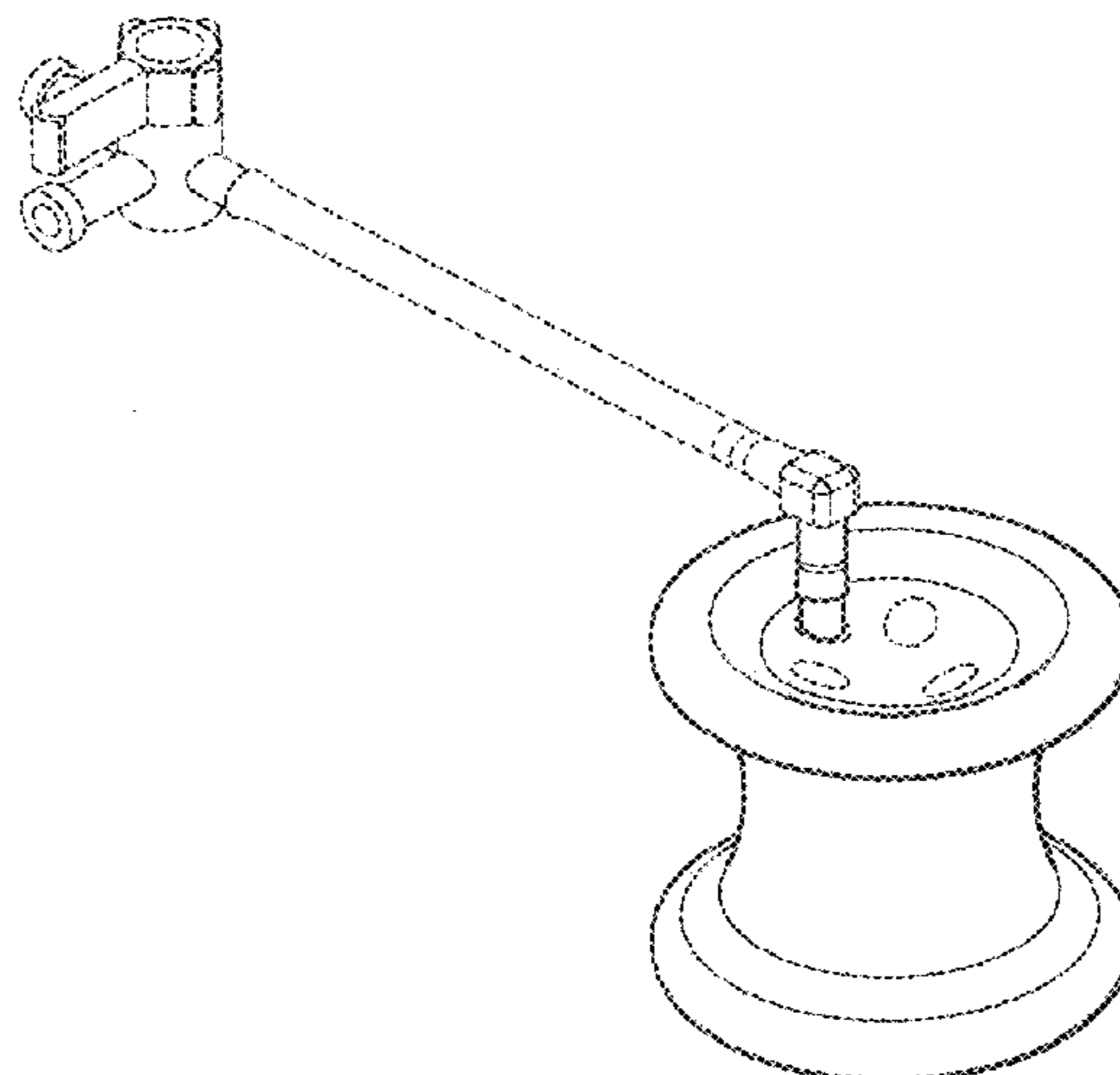
The ornamental design for the seal anchor for use in surgical procedures, as shown and described.

**DESCRIPTION**

FIG. 1 is a top perspective view thereof;  
FIG. 2 is a top plan view thereof;  
FIG. 3 is a side elevational view thereof;  
FIG. 4 is a front elevational view thereof; and  
FIG. 5 is a side elevational view thereof;  
FIG. 6 is a rear elevational view thereof; and,  
FIG. 7 is a bottom plan view thereof.

The broken lines shown in the figures represent portions of the seal anchor and the tubing for use in surgical procedures that form no part of the claimed design.

**1 Claim, 4 Drawing Sheets**



(56)

## References Cited

## U.S. PATENT DOCUMENTS

4,737,148 A	4/1988	Blake	5,713,869 A	2/1998	Morejon
4,863,430 A	9/1989	Klyce et al.	5,722,962 A	3/1998	Garcia
4,863,438 A	9/1989	Gauderer et al.	5,728,103 A	3/1998	Picha et al.
4,984,564 A	1/1991	Yuen	5,730,748 A	3/1998	Fogarty et al.
5,002,557 A	3/1991	Hasson	5,735,791 A	4/1998	Alexander, Jr. et al.
5,073,169 A	12/1991	Raiken	5,741,298 A	4/1998	MacLeod
5,082,005 A	1/1992	Kaldany	5,752,970 A	5/1998	Yoon
5,122,122 A	6/1992	Allgood	5,782,817 A	7/1998	Franzel et al.
5,159,921 A	11/1992	Hoover	5,795,290 A	8/1998	Bridges
5,176,697 A	1/1993	Hasson et al.	5,803,921 A	9/1998	Bonadio
5,183,471 A	2/1993	Wilk	5,810,712 A	9/1998	Dunn
5,192,301 A	3/1993	Kamiya et al.	5,813,409 A	9/1998	Leahy et al.
5,197,955 A	3/1993	Stephens et al.	5,830,191 A	11/1998	Hildwein et al.
5,209,754 A	5/1993	Ahluwalia	5,836,871 A	11/1998	Wallace et al.
5,217,466 A	6/1993	Hasson	5,836,913 A	11/1998	Orth et al.
5,242,409 A	9/1993	Buelna	5,840,077 A	11/1998	Rowden et al.
5,242,415 A	9/1993	Kantrowitz et al.	5,842,971 A	12/1998	Yoon
5,257,973 A	11/1993	Villasuso	5,848,992 A	12/1998	Hart et al.
5,257,975 A	11/1993	Foshee	5,853,417 A	12/1998	Fogarty et al.
5,269,772 A	12/1993	Wilk	5,857,461 A	1/1999	Levitsky et al.
5,290,249 A	3/1994	Foster et al.	5,865,817 A	2/1999	Moening et al.
5,312,391 A	5/1994	Wilk	5,871,474 A	2/1999	Hermann et al.
5,312,417 A	5/1994	Wilk	5,876,413 A	3/1999	Fogarty et al.
5,314,417 A	5/1994	Stephens et al.	5,894,843 A	4/1999	Benetti et al.
5,318,516 A	6/1994	Cosmescu	5,899,208 A	5/1999	Bonadio
5,330,486 A	7/1994	Wilk	5,899,913 A	5/1999	Fogarty et al.
5,334,143 A	8/1994	Carroll	5,904,703 A	5/1999	Gilson
5,336,169 A	8/1994	Divilio et al.	5,906,577 A	5/1999	Beane et al.
5,336,203 A	8/1994	Goldhardt et al.	5,914,415 A	6/1999	Tago
5,337,937 A	8/1994	Remiszewski et al.	5,916,198 A	6/1999	Dillow
5,345,927 A	9/1994	Bonutti	5,941,898 A	8/1999	Moening et al.
5,350,364 A	9/1994	Stephens et al.	5,951,588 A	9/1999	Moening
5,360,417 A	11/1994	Gravener et al.	5,957,913 A	9/1999	De la Torre et al.
5,366,478 A	11/1994	Brinkerhoff et al.	5,964,781 A	10/1999	Mollenauer et al.
5,375,588 A	12/1994	Yoon	5,976,174 A	11/1999	Ruiz
5,391,156 A	2/1995	Hildwein et al.	5,997,515 A	12/1999	De la Torre et al.
5,394,863 A	3/1995	Sanford et al.	6,017,355 A	1/2000	Hessel et al.
5,395,367 A	3/1995	Wilk	6,018,094 A	1/2000	Fox
5,437,683 A	8/1995	Neumann et al.	6,024,736 A	2/2000	de la Torre et al.
5,443,453 A	8/1995	Walker et al.	6,030,402 A	2/2000	Thompson et al.
5,445,615 A	8/1995	Yoon	6,033,426 A	3/2000	Kaji
5,451,222 A	9/1995	De Maagd et al.	6,033,428 A	3/2000	Sardella
5,460,170 A	10/1995	Hammerslag	6,042,573 A	3/2000	Lucey
5,464,409 A	11/1995	Mohajer	6,048,309 A	4/2000	Flom et al.
5,480,410 A	1/1996	Cuschieri et al.	6,059,816 A	5/2000	Moening
5,490,843 A	2/1996	Hildwein et al.	6,068,639 A	5/2000	Fogarty et al.
5,507,758 A	4/1996	Thomason et al.	6,077,288 A	6/2000	Shimomura et al.
5,511,564 A	4/1996	Wilk	6,086,603 A	7/2000	Termin et al.
5,514,133 A	5/1996	Golub et al.	6,099,506 A	8/2000	Macoviak et al.
5,514,153 A	5/1996	Bonutti	6,110,154 A	8/2000	Shimomura et al.
5,520,698 A	5/1996	Koh	6,142,936 A	11/2000	Beane et al.
5,522,791 A	6/1996	Leyva	6,156,006 A	12/2000	Brosens et al.
5,524,644 A	6/1996	Crook	6,162,196 A	12/2000	Hart et al.
5,540,648 A	7/1996	Yoon	6,171,282 B1	1/2001	Ragsdale
5,545,150 A	8/1996	Danks et al.	6,197,002 B1	3/2001	Peterson
5,545,179 A	8/1996	Williamson, IV	6,217,555 B1	4/2001	Hart et al.
5,556,385 A	9/1996	Andersen	6,228,063 B1	5/2001	Aboul-Hosn
5,556,387 A	9/1996	Mollenauer et al.	6,234,958 B1	5/2001	Snoke et al.
5,569,159 A	10/1996	Anderson et al.	6,238,373 B1	5/2001	De la Torre et al.
5,577,993 A	11/1996	Zhu et al.	6,241,768 B1	6/2001	Agarwal et al.
5,601,581 A	2/1997	Fogarty et al.	6,251,119 B1	6/2001	Addis
5,624,399 A	4/1997	Ackerman	6,254,534 B1	7/2001	Butler et al.
5,634,911 A	6/1997	Hermann et al.	6,264,604 B1	7/2001	Kieturakis et al.
5,634,937 A	6/1997	Mollenauer et al.	6,276,661 B1	8/2001	Laird
5,643,285 A	7/1997	Rowden et al.	6,293,952 B1	9/2001	Brosens et al.
5,649,550 A	7/1997	Crook	6,315,770 B1	11/2001	de la Torre et al.
5,651,771 A	7/1997	Tangherlini et al.	6,319,246 B1	11/2001	de la Torre et al.
5,653,705 A	8/1997	de la Torre et al.	6,328,720 B1	12/2001	McNally et al.
5,656,013 A	8/1997	Yoon	6,329,637 B1	12/2001	Hembree et al.
5,672,168 A	9/1997	De la Torre et al.	6,371,968 B1	4/2002	Kogasaka et al.
5,683,378 A	11/1997	Christy	6,382,211 B1	5/2002	Crook
5,685,857 A	11/1997	Negus et al.	6,423,036 B1	7/2002	Van Huizen
5,697,946 A	12/1997	Hopper et al.	6,440,061 B1	8/2002	Wenner et al.
5,709,675 A	1/1998	Williams	6,440,063 B1	8/2002	Beane et al.
5,713,858 A	2/1998	Heruth et al.	6,443,957 B1	9/2002	Addis
			6,447,489 B1	9/2002	Peterson
			6,450,983 B1	9/2002	Rambo
			6,454,783 B1	9/2002	Piskun
			6,464,686 B1	10/2002	O'Hara et al.



(56)

## References Cited

## U.S. PATENT DOCUMENTS

6,468,292	B1	10/2002	Mollenauer et al.	7,235,084	B2	6/2007	Skakoon et al.
6,485,410	B1	11/2002	Loy	D545,967	S	7/2007	Joyce et al.
6,488,620	B1	12/2002	Segemark et al.	7,238,154	B2	7/2007	Ewers et al.
6,488,692	B1	12/2002	Spence et al.	7,258,712	B2	8/2007	Schultz et al.
6,524,283	B1	2/2003	Hopper et al.	7,276,075	B1	10/2007	Callas et al.
6,527,787	B1	3/2003	Fogarty et al.	7,294,103	B2	11/2007	Bertolero et al.
6,544,210	B1	4/2003	Trudel et al.	7,300,399	B2	11/2007	Bonadio et al.
6,551,270	B1	4/2003	Bimbo et al.	7,316,699	B2	1/2008	McFarlane
6,558,371	B2	5/2003	Dorn	7,331,940	B2	2/2008	Sommerich
6,562,022	B2	5/2003	Hoste et al.	7,344,547	B2	3/2008	Piskun
6,572,631	B1	6/2003	McCartney	7,377,898	B2	5/2008	Ewers et al.
6,578,577	B2	6/2003	Bonadio et al.	7,390,322	B2	6/2008	McGuckin, Jr. et al.
6,582,364	B2	6/2003	Butler et al.	7,393,322	B2	7/2008	Wenchell
6,589,167	B1	7/2003	Shimomura et al.	7,412,977	B2	8/2008	Fields et al.
6,589,316	B1	7/2003	Schultz et al.	7,440,661	B2	10/2008	Kobayashi
6,592,543	B1	7/2003	Wortrich et al.	7,445,597	B2	11/2008	Butler et al.
6,613,952	B2	9/2003	Rambo	7,452,363	B2	11/2008	Ortiz
6,623,426	B2	9/2003	Bonadio et al.	7,473,221	B2	1/2009	Ewers et al.
6,669,674	B1	12/2003	Macoviak et al.	7,481,765	B2	1/2009	Ewers et al.
6,676,639	B1	1/2004	Ternström	7,493,703	B2	2/2009	Kim et al.
6,684,405	B2	2/2004	Lezdey	7,513,361	B1	4/2009	Mills, Jr.
6,706,050	B1	3/2004	Giannadakis	7,513,461	B2	4/2009	Reutenauer et al.
6,716,201	B2	4/2004	Blanco	7,520,876	B2	4/2009	Ressemann et al.
6,718,628	B2	4/2004	Munshi	7,537,564	B2	5/2009	Bonadio et al.
6,723,044	B2	4/2004	Pulford et al.	7,540,839	B2	6/2009	Butler et al.
6,723,088	B2	4/2004	Gaskill, III et al.	7,559,893	B2	7/2009	Bonadio et al.
6,725,080	B2	4/2004	Melkent et al.	7,608,082	B2	10/2009	Cuevas et al.
6,800,084	B2	10/2004	Davison et al.	7,625,361	B2	12/2009	Suzuki et al.
6,811,546	B1	11/2004	Callas et al.	7,645,232	B2	1/2010	Shluzas
6,814,078	B2	11/2004	Crook	7,650,887	B2	1/2010	Nguyen et al.
6,830,578	B2	12/2004	O'Heeron et al.	7,704,207	B2	4/2010	Albrecht et al.
6,837,893	B2	1/2005	Miller	7,717,846	B2	5/2010	Zirps et al.
6,840,946	B2	1/2005	Fogarty et al.	7,717,847	B2	5/2010	Smith
6,840,951	B2	1/2005	de la Torre et al.	7,721,742	B2	5/2010	Kaloo et al.
6,846,287	B2	1/2005	Bonadio et al.	7,727,146	B2	6/2010	Albrecht et al.
6,863,674	B2	3/2005	Kasahara et al.	7,730,629	B2	6/2010	Kim
6,878,110	B2	4/2005	Yang et al.	7,736,306	B2	6/2010	Brustad et al.
6,884,253	B1	4/2005	McFarlane	7,753,901	B2	7/2010	Piskun et al.
6,890,295	B2	5/2005	Michels et al.	7,758,500	B2	7/2010	Boyd et al.
6,913,609	B2	7/2005	Yencho et al.	7,762,995	B2	7/2010	Eversull et al.
6,916,310	B2	7/2005	Sommerich	7,766,824	B2	8/2010	Jensen et al.
6,916,331	B2	7/2005	Mollenauer et al.	7,787,963	B2	8/2010	Geistert et al.
6,929,637	B2	8/2005	Gonzalez et al.	7,798,898	B2	9/2010	Luciano, Jr. et al.
6,939,296	B2	9/2005	Ewers et al.	7,798,998	B2	9/2010	Thompson et al.
6,942,633	B2	9/2005	Odland	7,811,251	B2	10/2010	Wenchell et al.
6,945,932	B1	9/2005	Caldwell et al.	7,815,567	B2	10/2010	Albrecht et al.
6,958,037	B2	10/2005	Ewers et al.	7,837,612	B2	11/2010	Gill et al.
6,972,026	B1	12/2005	Caldwell et al.	7,846,123	B2	12/2010	Vassiliades et al.
6,986,752	B2	1/2006	McGuckin, Jr. et al.	7,850,600	B1	12/2010	Piskun
6,991,602	B2	1/2006	Nakazawa et al.	7,850,667	B2	12/2010	Gresham
6,997,909	B2	2/2006	Goldberg	7,867,164	B2	1/2011	Butler et al.
7,001,397	B2	2/2006	Davison et al.	7,896,889	B2	3/2011	Mazzocchi et al.
7,008,377	B2	3/2006	Beane et al.	7,905,829	B2	3/2011	Nishimura et al.
7,011,645	B2	3/2006	McGuckin, Jr. et al.	7,909,760	B2	3/2011	Albrecht et al.
7,014,628	B2	3/2006	Bousquet	7,951,076	B2	5/2011	Hart et al.
7,033,319	B2	4/2006	Pulford et al.	7,955,257	B2	6/2011	Frasier et al.
7,052,454	B2	5/2006	Taylor	7,955,313	B2	6/2011	Boismier
7,056,321	B2	6/2006	Pagliuca et al.	7,998,068	B2	8/2011	Bonadio et al.
7,077,852	B2	7/2006	Fogarty et al.	8,021,296	B2	9/2011	Bonadio et al.
7,081,089	B2	7/2006	Bonadio et al.	8,025,670	B2	9/2011	Sharp et al.
7,083,626	B2	8/2006	Hart et al.	8,038,652	B2	10/2011	Morrison et al.
7,100,614	B2	9/2006	Stevens et al.	8,066,673	B2	11/2011	Hart et al.
7,101,353	B2	9/2006	Lui et al.	8,079,986	B2	12/2011	Taylor et al.
7,104,981	B2	9/2006	Elkins et al.	8,092,430	B2	1/2012	Richard et al.
7,153,261	B2	12/2006	Wenchell	8,105,234	B2	1/2012	Ewers et al.
7,160,309	B2	1/2007	Voss	8,157,786	B2	4/2012	Miller et al.
7,163,510	B2	1/2007	Kahle et al.	8,157,817	B2	4/2012	Bonadio et al.
7,192,436	B2	3/2007	Sing et al.	8,187,177	B2	5/2012	Kahle et al.
7,195,590	B2	3/2007	Butler et al.	8,187,178	B2	5/2012	Bonadio et al.
7,201,725	B1	4/2007	Cragg et al.	8,226,553	B2	7/2012	Shelton et al.
7,214,185	B1	5/2007	Rosney et al.	8,251,900	B2	8/2012	Ortiz et al.
7,217,277	B2	5/2007	Parihar et al.	8,257,252	B2	9/2012	Kleyman
7,223,257	B2	5/2007	Shubayev et al.	8,317,690	B2	11/2012	Ransden et al.
7,223,278	B2	5/2007	Davison et al.	8,323,184	B2	12/2012	Spiegel et al.
7,235,064	B2	6/2007	Hopper et al.	8,328,761	B2	12/2012	Widenhouse et al.
				8,343,047	B2	1/2013	Albrecht et al.
				8,388,526	B2	3/2013	Ewers et al.
				8,394,018	B2	3/2013	Piskun
				8,414,485	B2	4/2013	Richard et al.



(56)

References Cited

U.S. PATENT DOCUMENTS

8,465,494	B2	6/2013	Butler et al.	2009/0299292	A1	12/2009	Renaux
8,480,683	B2	7/2013	Fowler et al.	2009/0326330	A1	12/2009	Bonadio et al.
8,550,992	B2	10/2013	Kleyman	2009/0326332	A1	12/2009	Carter
8,574,153	B2	11/2013	Richard	2010/0063452	A1	3/2010	Edelman et al.
8,641,610	B2	2/2014	Okoniewski et al.	2010/0100043	A1	4/2010	Racenet
8,668,641	B2 *	3/2014	Smith ..... 600/203	2010/0113886	A1	5/2010	Piskun et al.
8,684,918	B2 *	4/2014	Stopek ..... 600/215	2010/0228094	A1	9/2010	Ortiz et al.
8,696,557	B2	4/2014	Fischvogt	2010/0240960	A1	9/2010	Richard
8,727,974	B2 *	5/2014	Kasvikis ..... 600/208	2010/0249516	A1	9/2010	Shelton, IV et al.
8,764,647	B2 *	7/2014	Kleyman ..... 600/208	2010/0261975	A1	10/2010	Huey et al.
D712,033	S *	8/2014	Richard et al. .... D24/145	2010/0280326	A1	11/2010	Hess et al.
D712,034	S *	8/2014	Richard et al. .... D24/145	2010/0286484	A1	11/2010	Stellon et al.
8,795,164	B2 *	8/2014	Stopek ..... 600/215	2010/0286506	A1	11/2010	Ransden et al.
2001/0037053	A1	11/2001	Bonadio et al.	2010/0298646	A1	11/2010	Stellon et al.
2002/0055714	A1	5/2002	Rothschild	2011/0009704	A1	1/2011	Marczyk et al.
2003/0014076	A1	1/2003	Mollenauer et al.	2011/0021877	A1	1/2011	Fortier et al.
2003/0093104	A1	5/2003	Bonner et al.	2011/0028891	A1	2/2011	Okoniewski
2003/0212383	A1	11/2003	Cote	2011/0054257	A1	3/2011	Stopek
2004/0059297	A1	3/2004	Racenet et al.	2011/0054258	A1	3/2011	O'Keefe et al.
2004/0092795	A1	5/2004	Bonadio et al.	2011/0054260	A1	3/2011	Albrecht et al.
2004/0102804	A1	5/2004	Chin	2011/0082341	A1	4/2011	Kleyman et al.
2004/0111061	A1	6/2004	Curran	2011/0082343	A1	4/2011	Okoniewski
2004/0138529	A1	7/2004	Wiltshire et al.	2011/0082346	A1	4/2011	Stopek
2004/0204734	A1	10/2004	Wagner et al.	2011/0118553	A1	5/2011	Stopek
2004/0267096	A1	12/2004	Caldwell et al.	2011/0124968	A1	5/2011	Kleyman
2005/0020884	A1	1/2005	Hart et al.	2011/0124969	A1	5/2011	Stopek
2005/0070935	A1	3/2005	Ortiz	2011/0124970	A1	5/2011	Kleyman
2005/0096695	A1	5/2005	Olich	2011/0125186	A1	5/2011	Fowler et al.
2005/0119525	A1	6/2005	Takemoto	2011/0166423	A1	7/2011	Farascioni et al.
2005/0137459	A1	6/2005	Chin et al.	2011/0251463	A1	10/2011	Kleyman
2005/0148823	A1	7/2005	Vaugh et al.	2011/0251464	A1	10/2011	Kleyman
2005/0192483	A1	9/2005	Bonadio et al.	2011/0251465	A1	10/2011	Kleyman
2005/0203346	A1	9/2005	Bonadio et al.	2011/0251466	A1	10/2011	Kleyman et al.
2005/0209608	A1	9/2005	O'Heeron	2011/0313250	A1	12/2011	Kleyman
2005/0245876	A1	11/2005	Khosravi et al.	2012/0059640	A1	3/2012	Roy et al.
2005/0251092	A1	11/2005	Howell et al.	2012/0130177	A1	5/2012	Davis
2005/0277946	A1	12/2005	Greenhalgh	2012/0130179	A1	5/2012	Rockrohr
2006/0071432	A1	4/2006	Staudner	2012/0130181	A1	5/2012	Davis
2006/0129165	A1	6/2006	Edoga et al.	2012/0130182	A1	5/2012	Rodrigues, Jr. et al.
2006/0149137	A1	7/2006	Pingleton et al.	2012/0130183	A1	5/2012	Barnes
2006/0149306	A1	7/2006	Hart et al.	2012/0130184	A1	5/2012	Richard
2006/0161049	A1	7/2006	Beane et al.	2012/0130185	A1	5/2012	Pribanic
2006/0161050	A1	7/2006	Butler et al.	2012/0130186	A1	5/2012	Stopek et al.
2006/0212063	A1	9/2006	Wilk	2012/0130187	A1	5/2012	Okoniewski
2006/0224161	A1	10/2006	Bhattacharyya	2012/0130188	A1	5/2012	Okoniewski
2006/0241651	A1	10/2006	Wilk	2012/0130190	A1	5/2012	Kasvikis
2006/0247500	A1	11/2006	Voegele et al.	2012/0130191	A1	5/2012	Pribanic
2006/0247516	A1	11/2006	Hess et al.	2012/0149987	A1	6/2012	Richard et al.
2006/0247586	A1	11/2006	Voegele et al.	2012/0157777	A1	6/2012	Okoniewski
2006/0247673	A1	11/2006	Voegele et al.	2012/0157779	A1	6/2012	Vischvogt
2006/0247678	A1	11/2006	Weisenburgh, II et al.	2012/0157780	A1	6/2012	Okoniewski et al.
2006/0270911	A1	11/2006	Voegele et al.	2012/0157781	A1	6/2012	Kleyman
2007/0118175	A1	5/2007	Butler et al.	2012/0157782	A1	6/2012	Alfieri
2007/0203398	A1	8/2007	Bonadio et al.	2012/0157783	A1	6/2012	Okoniewski et al.
2007/0208312	A1	9/2007	Norton et al.	2012/0157784	A1	6/2012	Kleyman et al.
2007/0270654	A1	11/2007	Pignato	2012/0157785	A1	6/2012	Kleyman
2007/0270882	A1	11/2007	Hjelle et al.	2012/0157786	A1	6/2012	Pribanic
2008/0027476	A1	1/2008	Piskun	2012/0190931	A1	7/2012	Stopek
2008/0048011	A1	2/2008	Weller	2012/0190932	A1	7/2012	Okoniewski
2008/0097162	A1	4/2008	Bonadio et al.	2012/0190933	A1	7/2012	Kleyman
2008/0097332	A1	4/2008	Greenhalgh et al.	2012/0245425	A1	9/2012	Okoniewski
2008/0161826	A1	7/2008	Guiraudon	2012/0253134	A1	10/2012	Smith
2008/0194973	A1	8/2008	Imam	2013/0178708	A1	7/2013	Malkowski et al.
2008/0255519	A1	10/2008	Piskun et al.	2013/0184646	A1	7/2013	Richard et al.
2008/0319261	A1	12/2008	Lucini	2013/0225931	A1 *	8/2013	Cruz et al. .... 600/204
2009/0012477	A1	1/2009	Norton et al.	2013/0245373	A1	9/2013	Okoniewski
2009/0036738	A1	2/2009	Cuschieri et al.	2013/0253277	A1	9/2013	Smith
2009/0093752	A1	4/2009	Richard et al.	2013/0253278	A1 *	9/2013	Smith ..... 600/204
2009/0093850	A1	4/2009	Richard	2013/0274559	A1	10/2013	Fowler et al.
2009/0105635	A1	4/2009	Bettuchi et al.	2013/0310651	A1	11/2013	Alfieri
2009/0131751	A1	5/2009	Spivey et al.	2014/0039268	A1	2/2014	Richard
2009/0182279	A1	7/2009	Wenchell et al.	2014/0051933	A1	2/2014	Okoniewski
2009/0182288	A1	7/2009	Spenciner	2014/0121466	A1 *	5/2014	Okoniewski et al. .... 600/204
2009/0204067	A1	8/2009	Abu-Halawa				
2009/0227843	A1	9/2009	Smith et al.				



(56)

References Cited

U.S. PATENT DOCUMENTS

2014/0142392 A1\* 5/2014 Smith ..... 600/203  
 2014/0171745 A1\* 6/2014 Stopek ..... 600/204  
 2015/0038796 A1\* 2/2015 Okoniewski ..... 600/204

FOREIGN PATENT DOCUMENTS

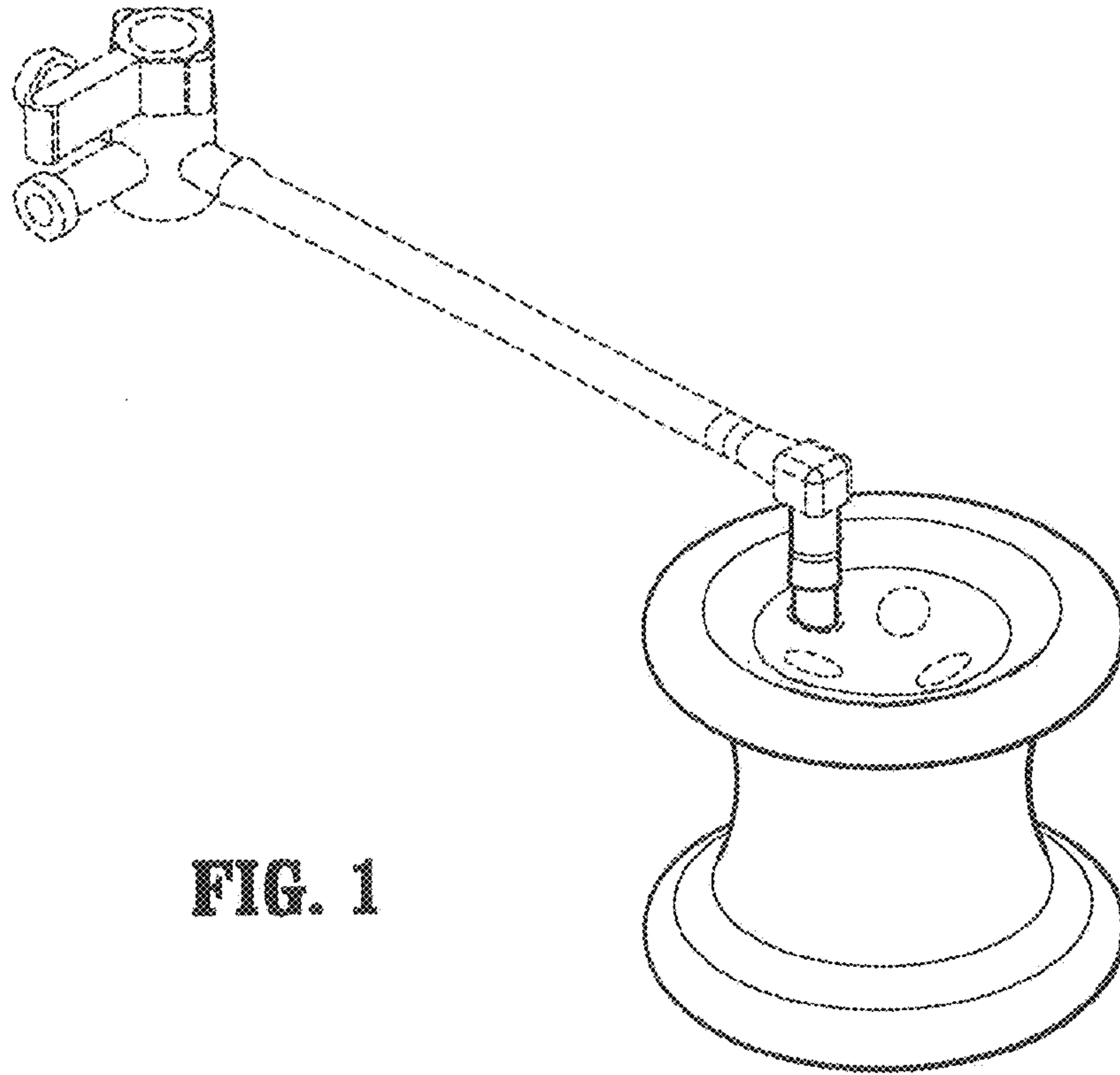
EP 0538060 4/1993  
 EP 630660 6/1994  
 EP 0950376 10/1999  
 EP 1188415 3/2002  
 EP 0807416 4/2004  
 EP 1312318 12/2005  
 EP 1774918 4/2007  
 EP 1932485 6/2008  
 EP 2044889 4/2009  
 EP 2044897 8/2009  
 EP 2095781 9/2009  
 EP 2098182 9/2009  
 EP 2181657 5/2010  
 EP 2226025 9/2010  
 EP 2229900 9/2010  
 EP 2238924 10/2010  
 EP 2238925 10/2010  
 EP 2238933 10/2010  
 EP 2248478 11/2010  
 EP 2248482 11/2010  
 EP 2253283 11/2010  
 EP 2272450 1/2011  
 EP 2277464 1/2011  
 EP 2292165 3/2011  
 EP 2343019 7/2011  
 GB 2469083 4/2009  
 WO WO84/01512 4/1984  
 WO WO93/14801 8/1993  
 WO WO94/04067 3/1994  
 WO WO96/10963 4/1996  
 WO WO96/36283 11/1996  
 WO WO97/33520 9/1997  
 WO WO97/42889 11/1997  
 WO WO99/16368 4/1999  
 WO WO99/22804 5/1999  
 WO WO00/32116 6/2000  
 WO WO00/32120 6/2000  
 WO WO01/08581 2/2001  
 WO WO01/49363 7/2001  
 WO WO02/07611 1/2002  
 WO WO03/034908 5/2003  
 WO WO03/071926 9/2003  
 WO WO2004/043275 5/2004  
 WO WO2004/054456 7/2004  
 WO WO2004/075741 9/2004

WO WO2004/075930 9/2004  
 WO WO2005/058409 6/2005  
 WO WO2006/019723 2/2006  
 WO WO2006/100658 9/2006  
 WO WO2006/110733 10/2006  
 WO WO2007/018458 2/2007  
 WO WO2007/095703 8/2007  
 WO WO2007/143200 12/2007  
 WO WO2008/015566 2/2008  
 WO WO2008/042005 4/2008  
 WO WO2008/077080 6/2008  
 WO WO2008/093313 8/2008  
 WO WO2008/103151 8/2008  
 WO WO2008/121294 10/2008  
 WO WO2009/036343 3/2009  
 WO WO2010/141409 12/2010

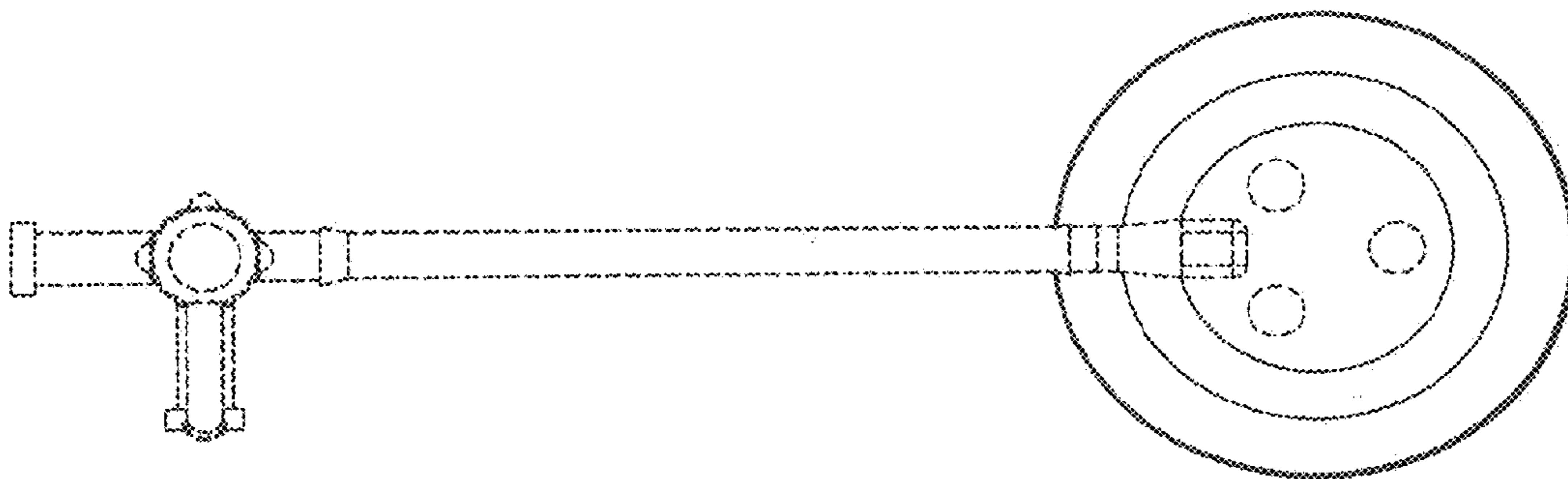
OTHER PUBLICATIONS

U.S. Appl. No. 13/456,375, filed Apr. 26, 2012, Danyel J. Racenet.  
 European Search Report EP08253236 dated Feb. 10, 2009.  
 European Search Report EP09251613 dated Mar. 24, 2011.  
 European Search Report EP09251623 dated Dec. 7, 2011.  
 European Search Report EP10250526 dated Jun. 23, 2010.  
 European Search Report EP10250638 dated Jul. 19, 2010.  
 European Search Report EP10250643 dated Jun. 23, 2010.  
 European Search Report EP10250881 dated Aug. 18, 2010.  
 European Search Report EP10250885 dated Aug. 18, 2010.  
 European Search Report EP10250944 dated Jul. 29, 2010.  
 European Search Report EP10251218 dated Jun. 15, 2011.  
 European Search Report EP10251317 dated Oct. 15, 2011.  
 European Search Report EP10251359 dated Nov. 8, 2010.  
 European Search Report EP10251399 dated Sep. 13, 2010.  
 European Search Report EP10251486 dated Oct. 19, 2010.  
 European Search Report EP10251693 dated Feb. 3, 2011.  
 European Search Report EP10251718 dated Jan. 28, 2011.  
 European Search Report EP10251751 dated Apr. 28, 2011.  
 European Search Report EP10251796 dated Jan. 31, 2011.  
 European Search Report EP10251955 dated Feb. 21, 2011.  
 European Search Report EP10251983 dated Feb. 15, 2011.  
 European Search Report EP10251984 dated Feb. 10, 2011.  
 European Search Report EP10251985 dated Feb. 15, 2011.  
 European Search Report EP10251986 dated Mar. 7, 2011.  
 European Search Report EP11190051 dated Jan. 25, 2012.  
 European Search Report EP11194126 dated May 2, 2012.  
 European Search Report EP11194221 dated Jun. 11, 2012.  
 European Search Report EP11250790 dated Jan. 25, 2012.  
 European Search Report EP11250792.6 dated Feb. 24, 2012.  
 European Search Report EP12152128 dated Apr. 20, 2012.

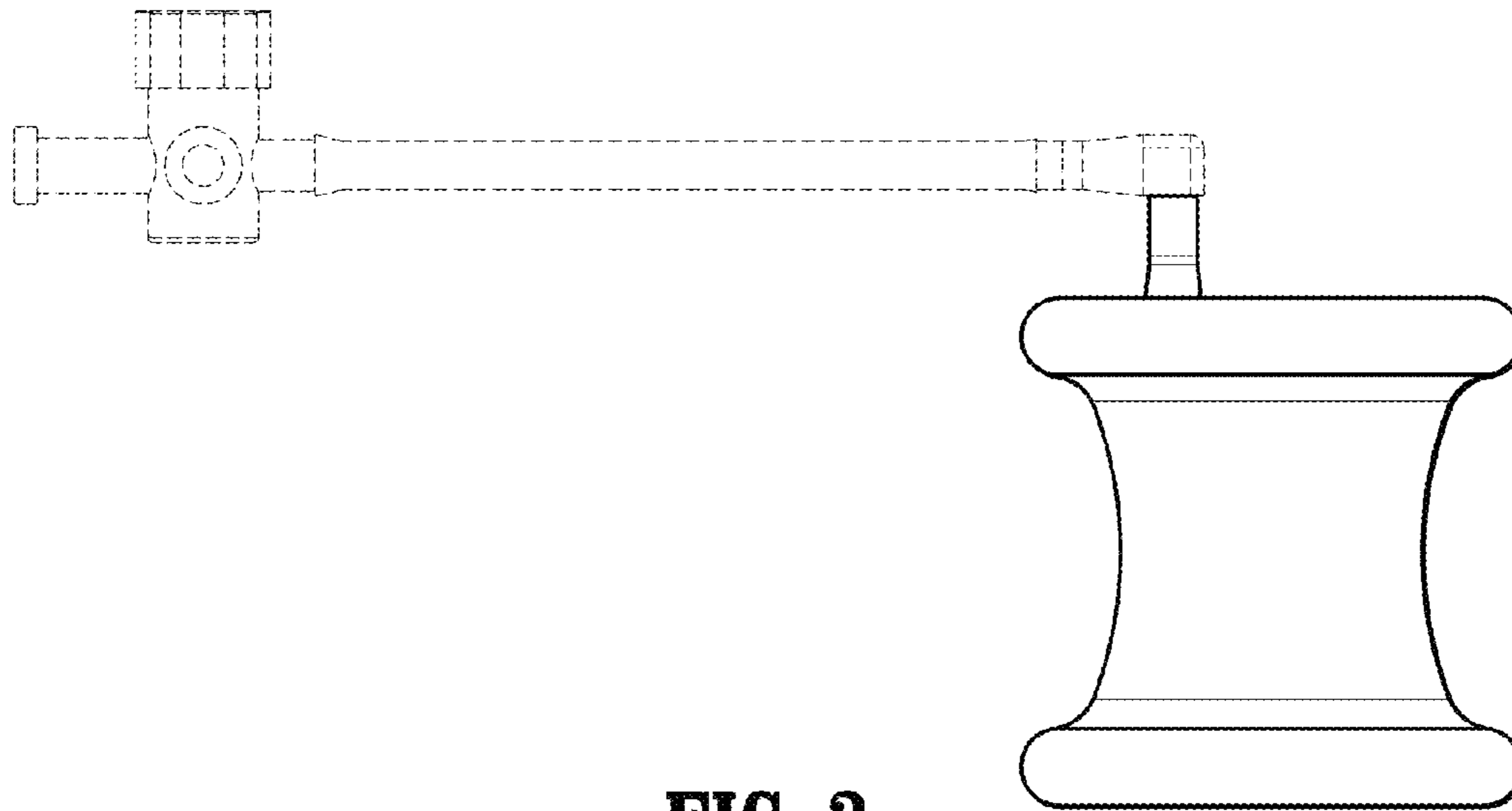
\* cited by examiner



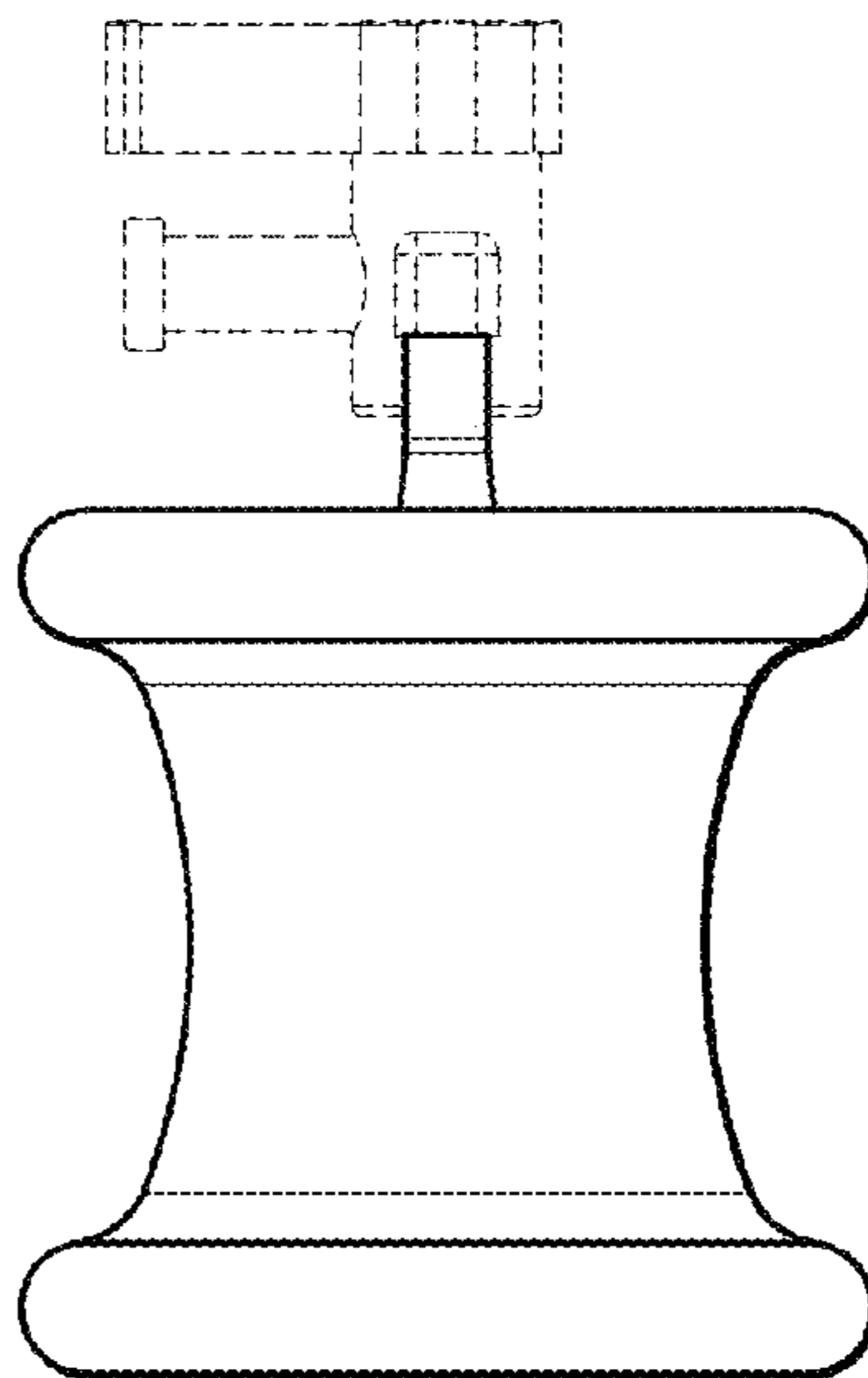
**FIG. 1**



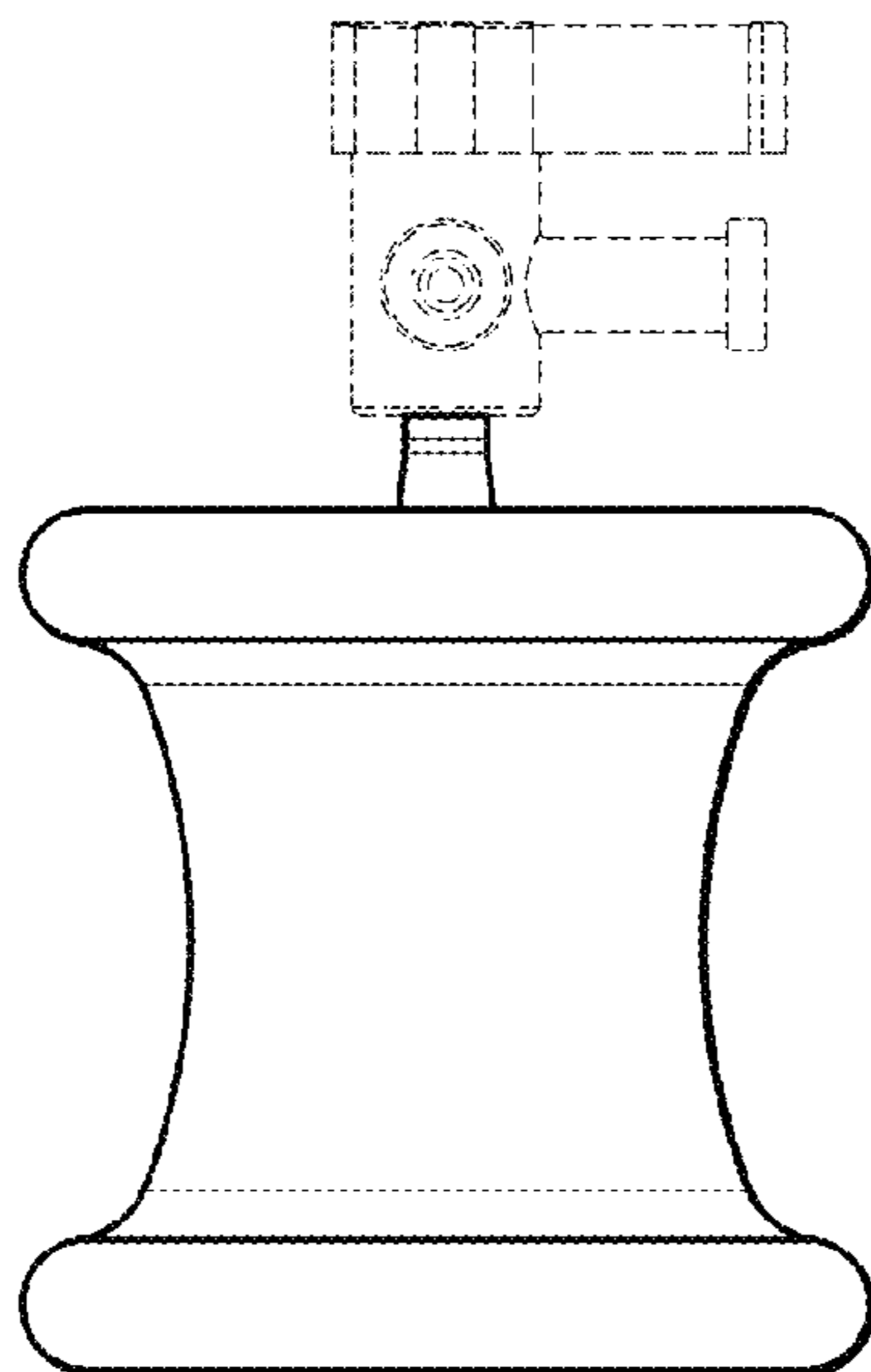
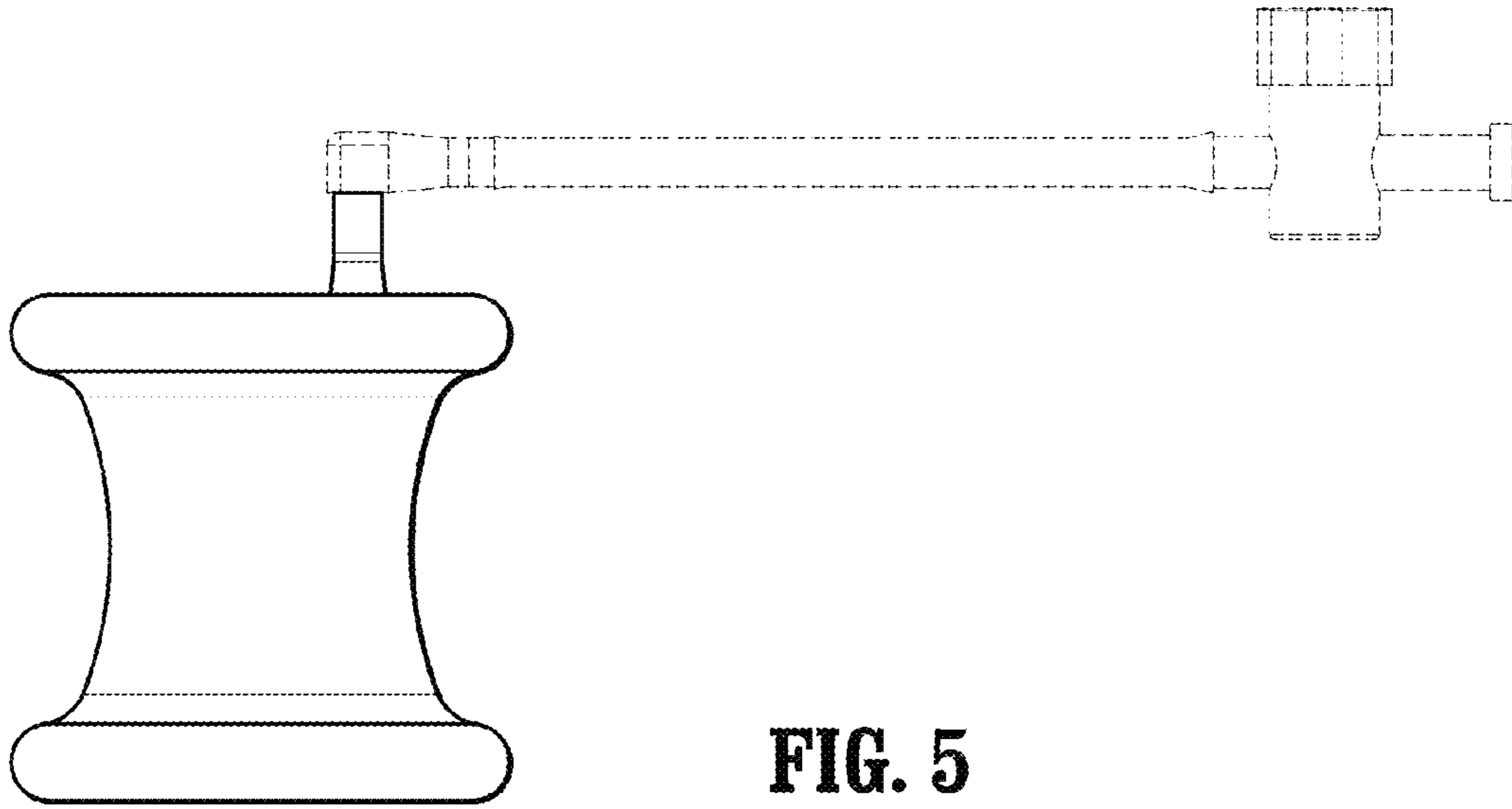
**FIG. 2**



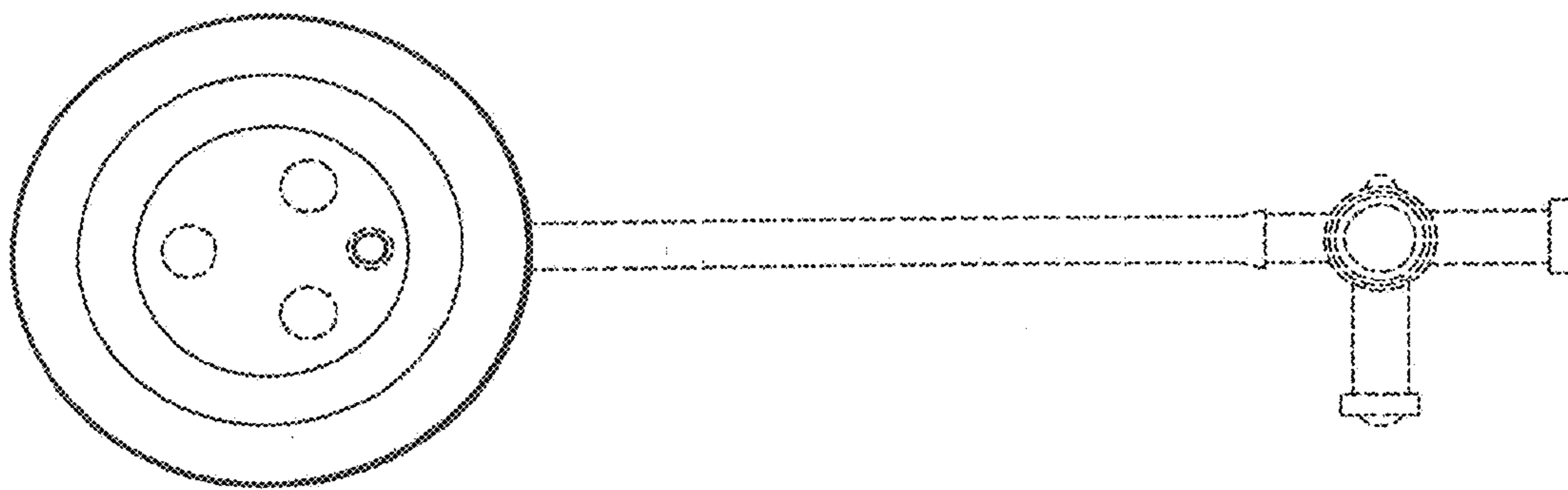
**FIG. 3**



**FIG. 4**







**FIG. 7**