



US00D738494S

(12) **United States Design Patent**
Kashmirian

(10) **Patent No.:** **US D738,494 S**

(45) **Date of Patent:** **** Sep. 8, 2015**

(54) **BLOOD COLLECTION SAFETY DEVICE**

(71) Applicant: **iKashmore Pty Ltd**, Kambah, ACT (AU)

(72) Inventor: **Avtar Kashmirian**, Melbourne (AU)

(73) Assignee: **IKASHMORE PTY LTD**, Kambah, ACT (AU)

(**) Term: **14 Years**

(21) Appl. No.: **29/447,664**

(22) Filed: **Mar. 5, 2013**

(51) **LOC (10) Cl.** **24-02**

(52) **U.S. Cl.**
USPC **D24/127**

(58) **Field of Classification Search**
USPC D24/127–131, 112–114, 133, 186;
606/181, 185; 604/264, 272, 115, 232,
604/187, 158, 164.08, 192, 263, 163, 181,
604/184, 198, 227; 600/101, 139, 143;
128/200.24, 207.14, 207.15
CPC A61J 1/2089; A61J 1/10; A61J 1/20
See application file for complete search history.

(56) **References Cited**

U.S. PATENT DOCUMENTS

D303,013	S	*	8/1989	Konopka	D24/129
D310,123	S	*	8/1990	Carlson	D24/162
4,986,322	A	*	1/1991	Chibret et al.	141/319
D427,308	S	*	6/2000	Zinger	D24/129
D435,648	S	*	12/2000	Shah et al.	D24/108
D472,630	S	*	4/2003	Douglas et al.	D24/129
D495,416	S	*	8/2004	Dimeo et al.	D24/129
D496,101	S	*	9/2004	Davison	D24/130
D616,984	S	*	6/2010	Gilboa	D24/129
D629,895	S	*	12/2010	Demleitner et al.	D24/133
D630,732	S	*	1/2011	Lev et al.	D24/129
D637,713	S	*	5/2011	Nord et al.	D24/129
D640,787	S	*	6/2011	Chia et al.	D24/130

D655,017	S	*	2/2012	Mosler et al.	D24/231
D667,951	S	*	9/2012	Marshall et al.	D24/130
D669,579	S	*	10/2012	Marshall et al.	D24/130

(Continued)

Primary Examiner — David Muller

Assistant Examiner — Nathan Johnston

(74) *Attorney, Agent, or Firm* — Howard & Howard Attorneys PLLC

(57) **CLAIM**

The ornamental design for a blood collection safety device, as shown and described herein.

DESCRIPTION

FIG. 1 is a front elevation view of the blood collection safety device;

FIG. 2 is an exploded front elevation view thereof illustrating the internal components;

FIG. 3 is a right side elevation view of FIG. 1, illustrating in broken lines a syringe engaged with the blood collection safety device;

FIG. 4 is a top plan view thereof;

FIG. 5 is a bottom plan view thereof;

FIG. 6 is a partial cross-sectional view thereof, taken along line “6-6” according to the arrows shown in FIG. 5;

FIG. 7 is an exploded top perspective view of FIG. 1, illustrating the internal components;

FIG. 8 is an exploded bottom perspective view thereof, illustrating the internal components;

FIG. 9 is a front elevation view of the blood collection safety device of FIG. 1, illustrating in broken lines a syringe and vial engaged with the blood collection safety device;

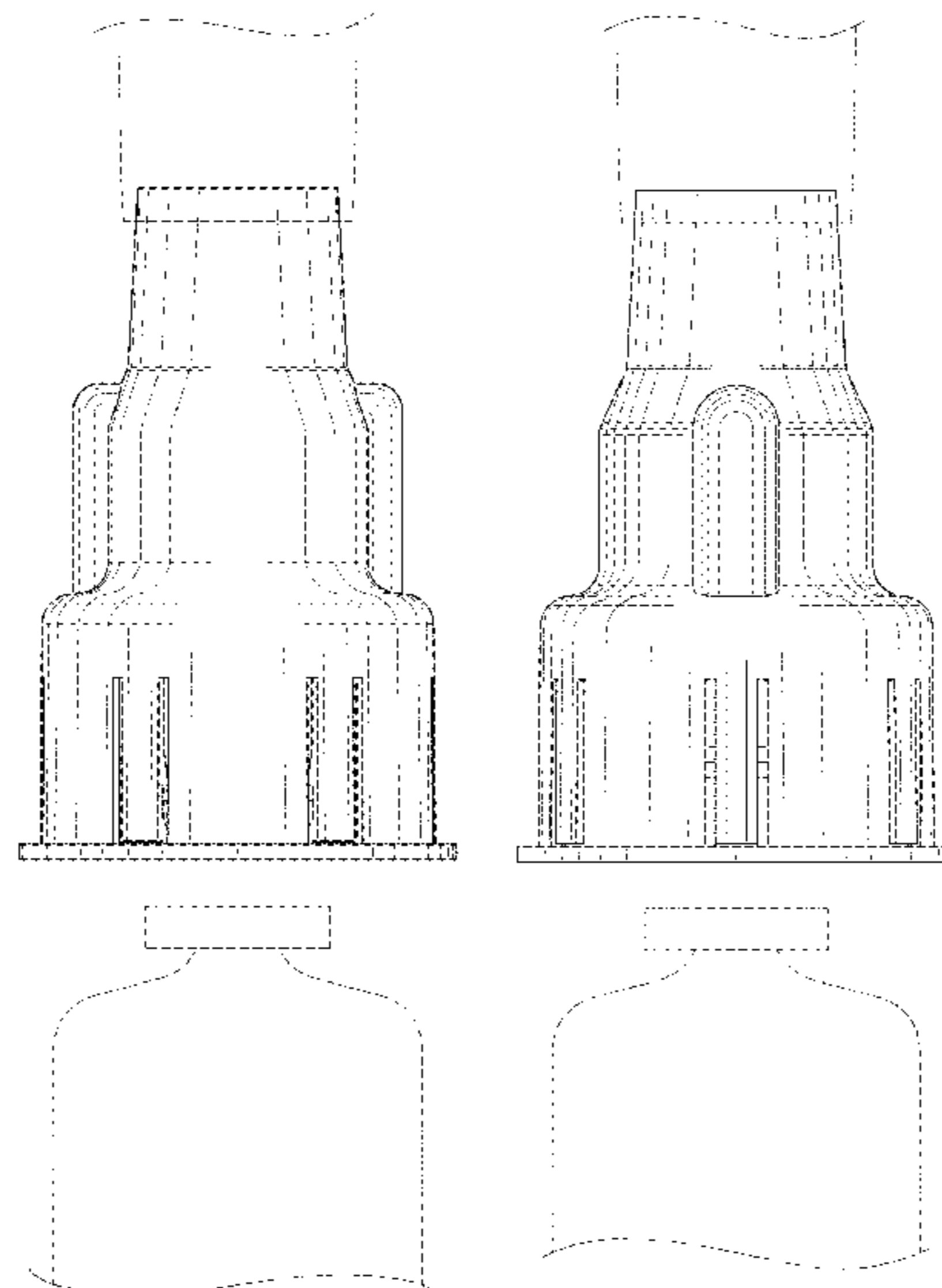
FIG. 10 is a top plan view thereof;

FIG. 11 is a bottom plan view thereof; and,

FIG. 12 is a cross-sectional view of FIG. 10, taken along line “12-12” according to arrows shown in FIG. 10.

The features shown in broken lines depict environmental subject matter only and form no part of the claimed design.

1 Claim, 10 Drawing Sheets



(56)

References Cited

U.S. PATENT DOCUMENTS

D669,980 S * 10/2012 Lev et al. D24/129
D674,088 S * 1/2013 Lev et al. D24/129
D679,008 S * 3/2013 Schroeder et al. D24/129

D695,115 S * 12/2013 Juna D9/447
D703,322 S * 4/2014 Hayman et al. D24/158
D713,522 S * 9/2014 Woehr et al. D24/112
D720,452 S * 12/2014 Jordan D24/130
2003/0192791 A1* 10/2003 Eek et al. 206/222

* cited by examiner

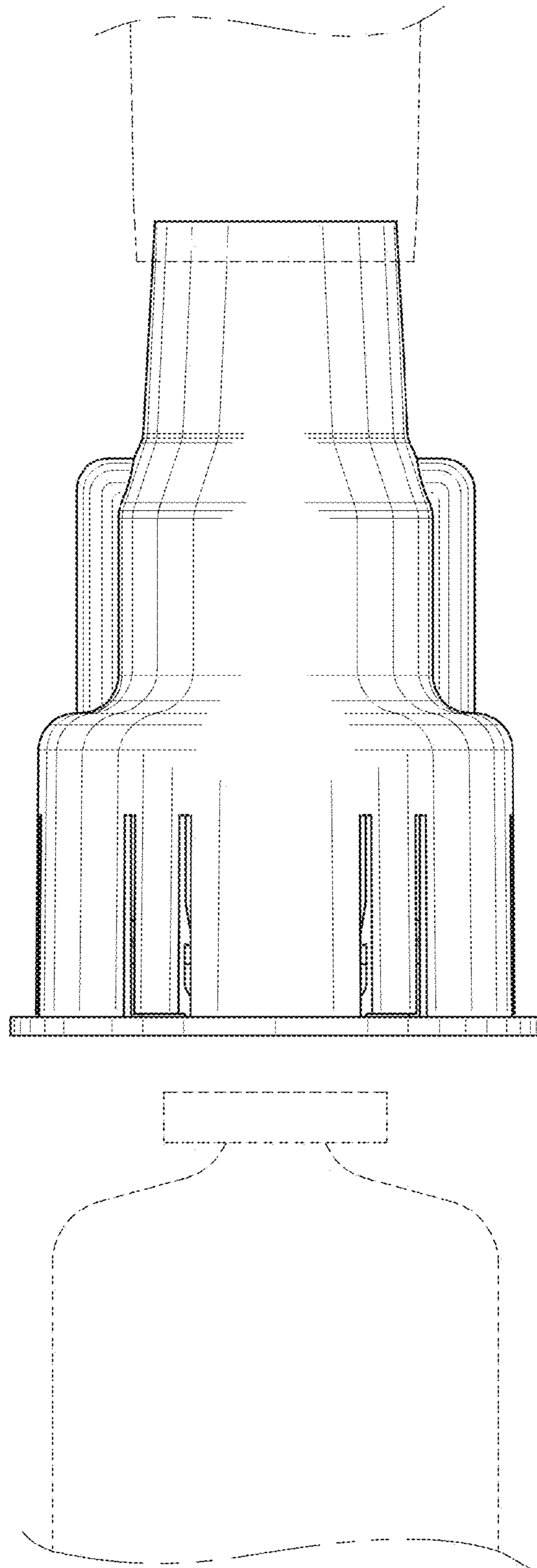


Fig. 1

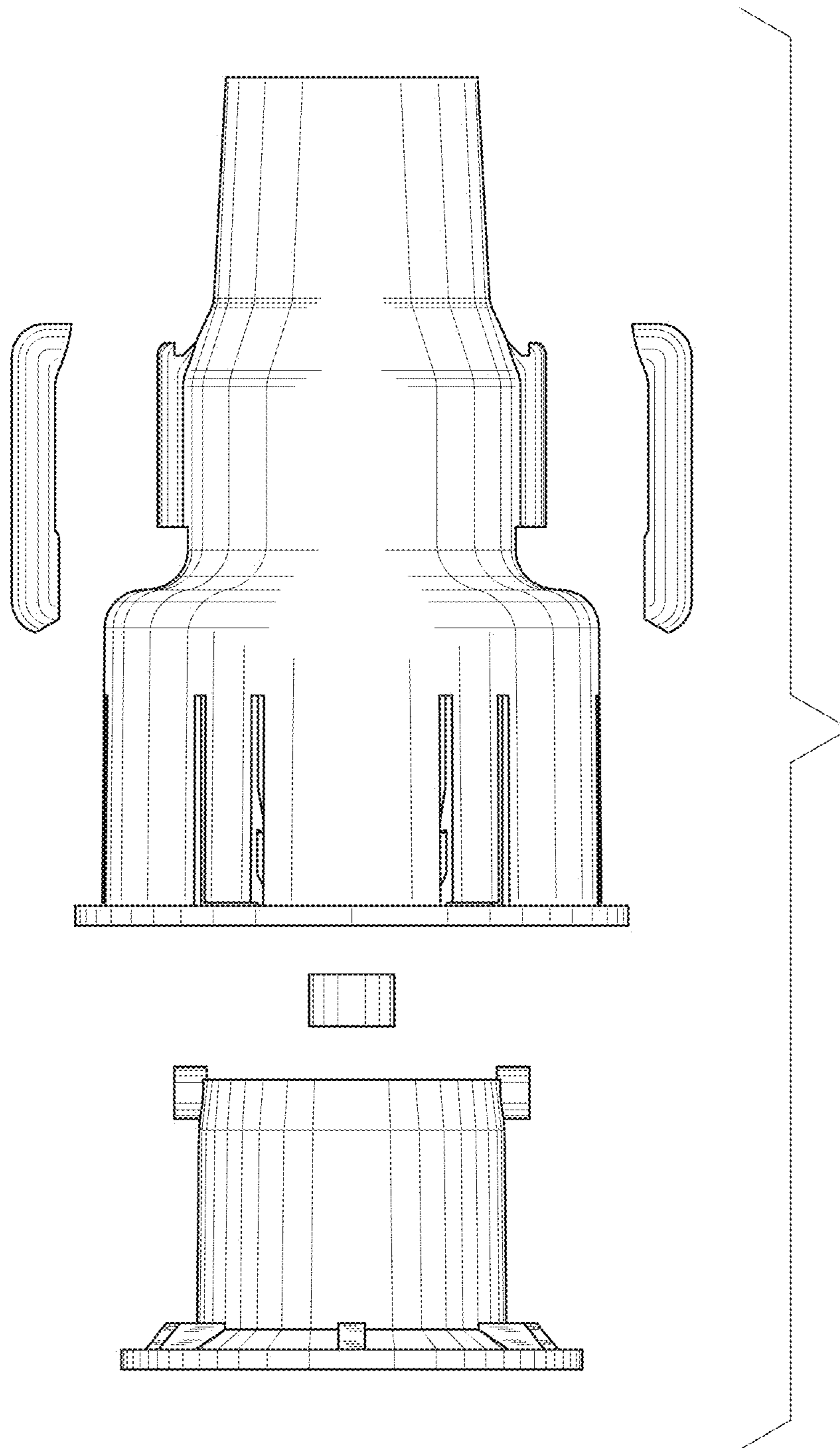


Fig. 2

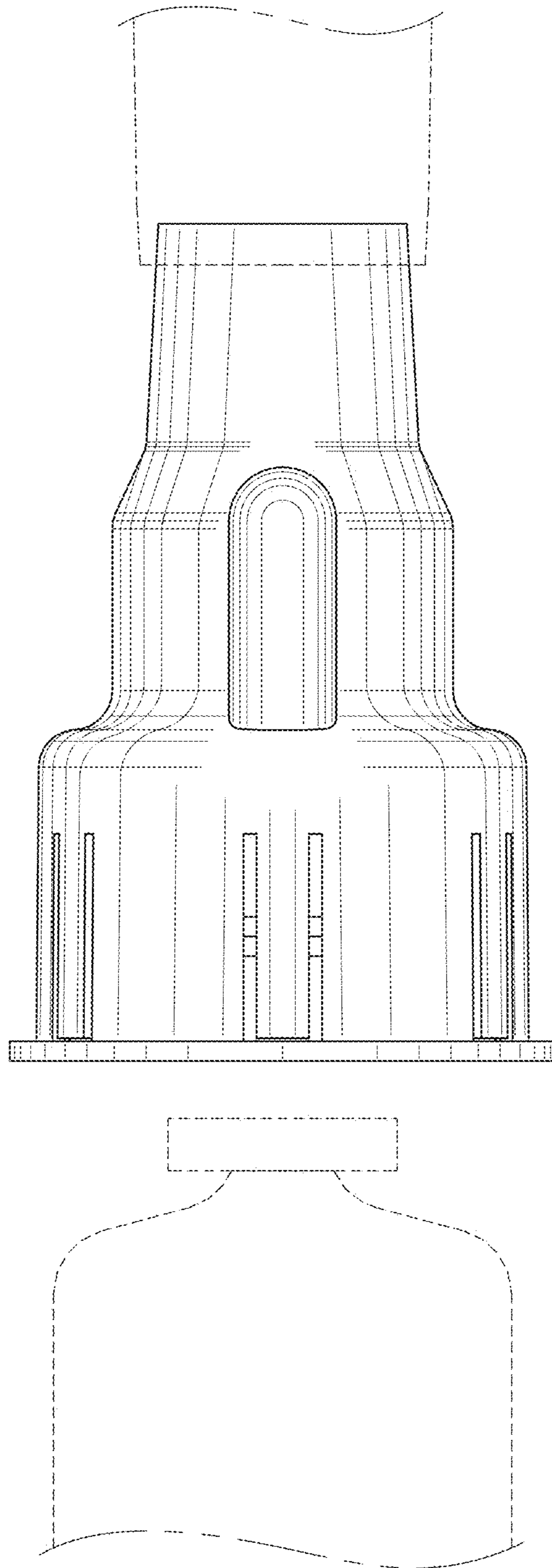


Fig. 3

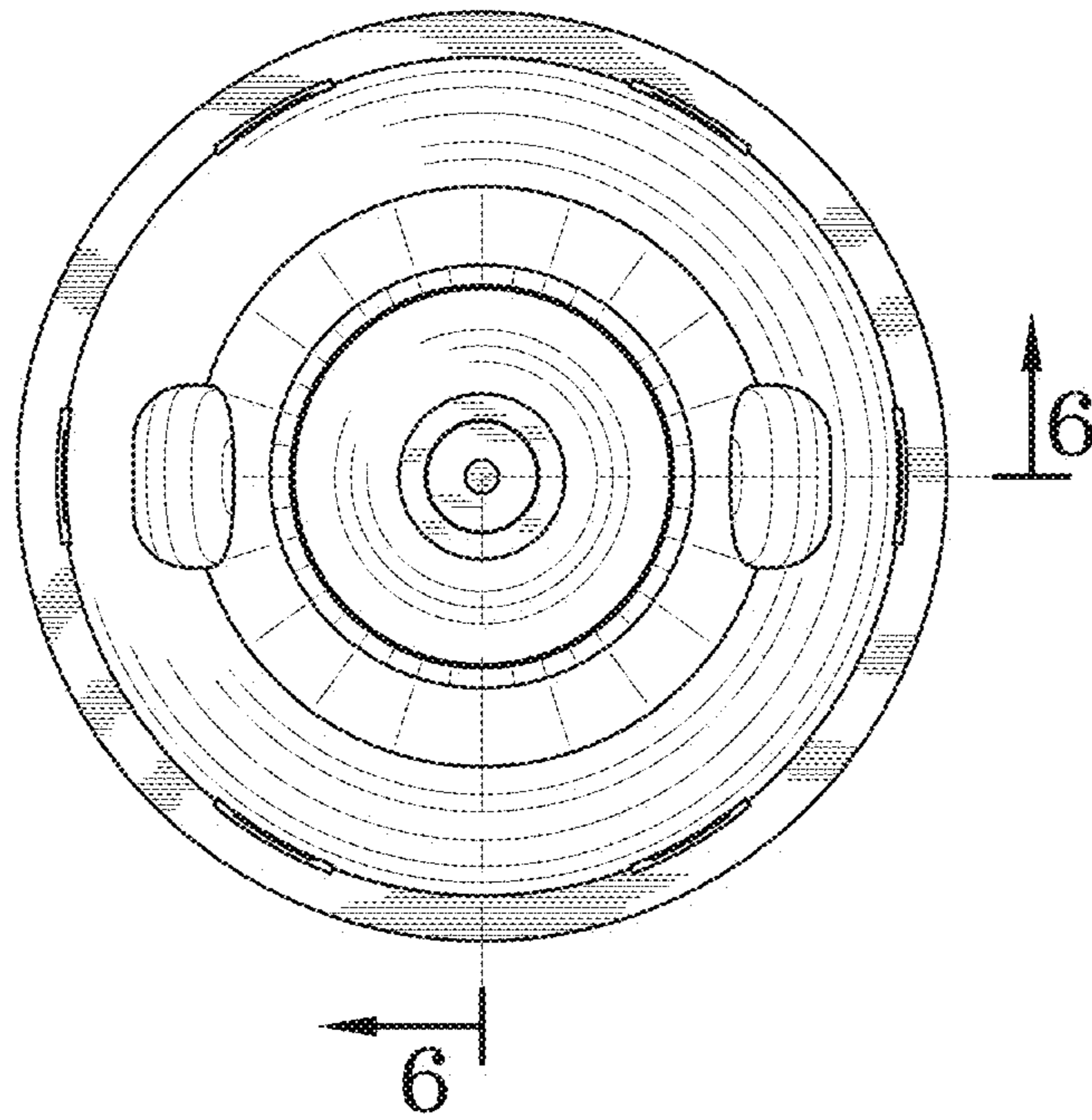


Fig. 4

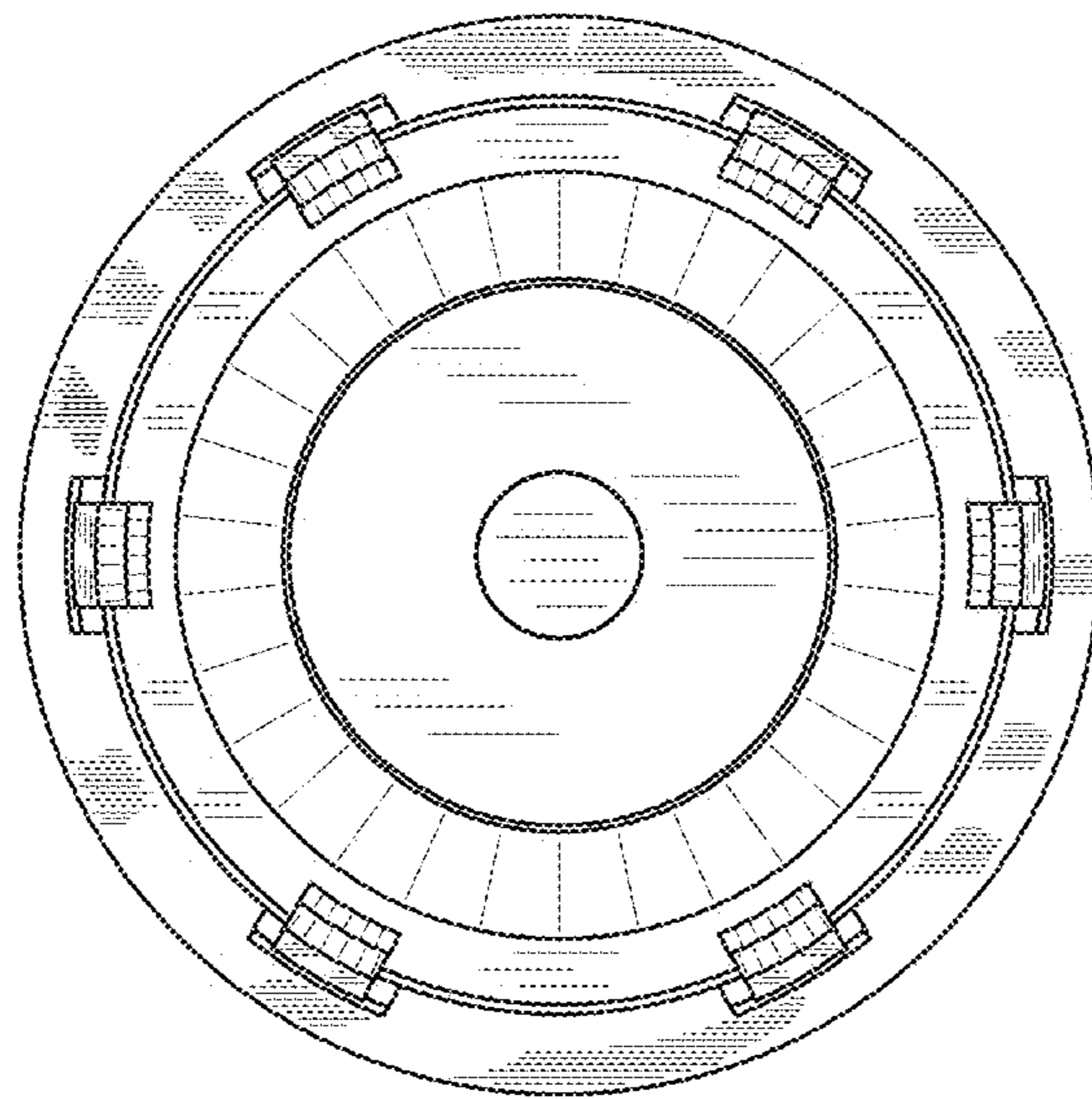


Fig. 5

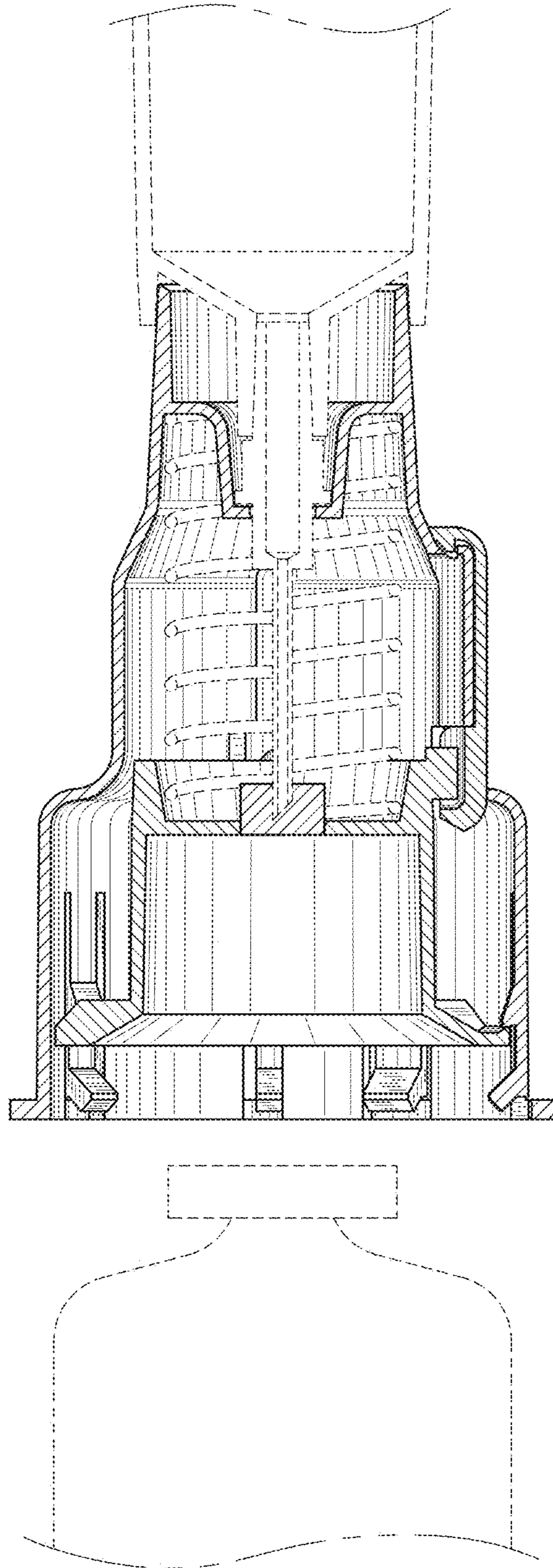


Fig.6

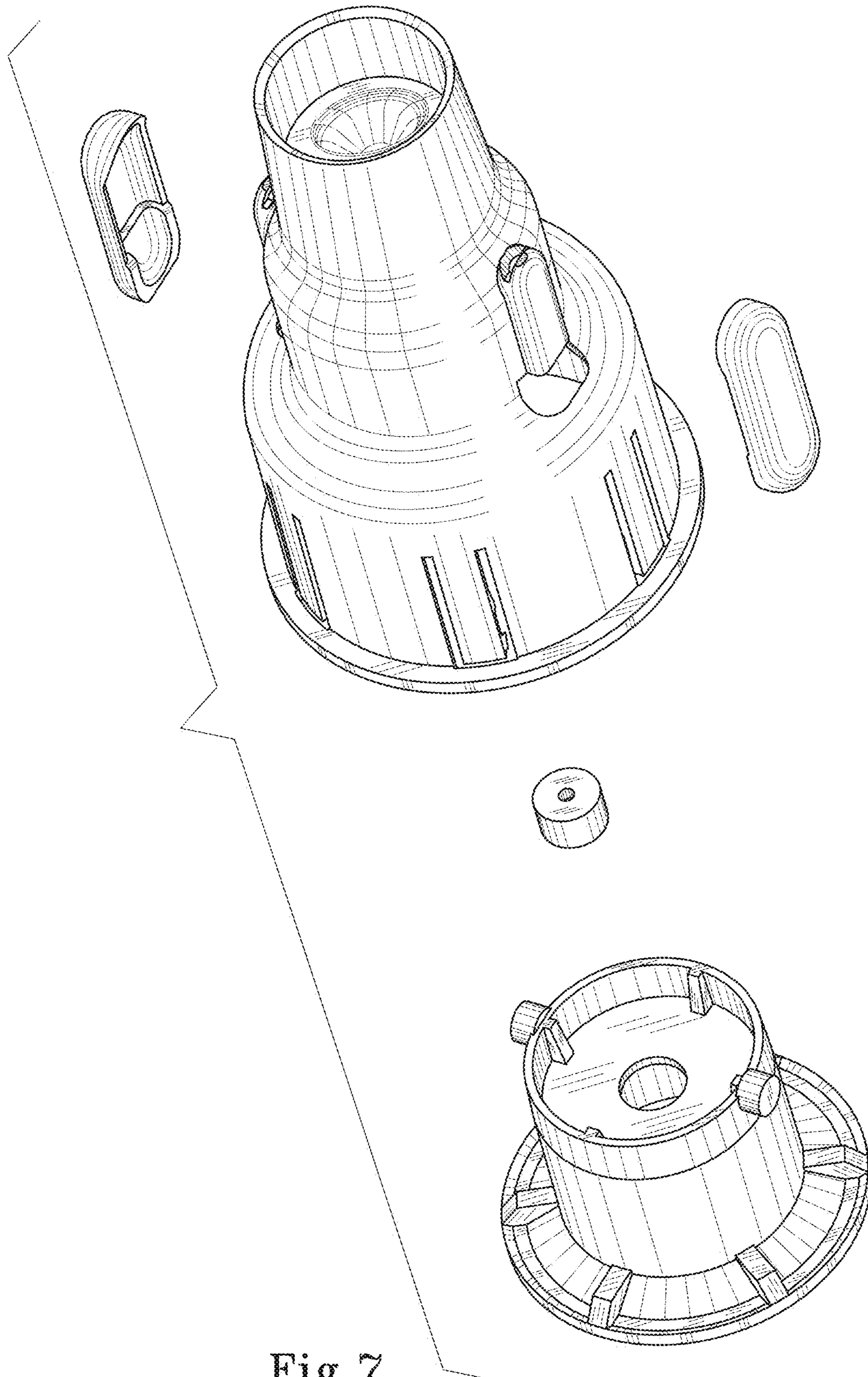


Fig. 7

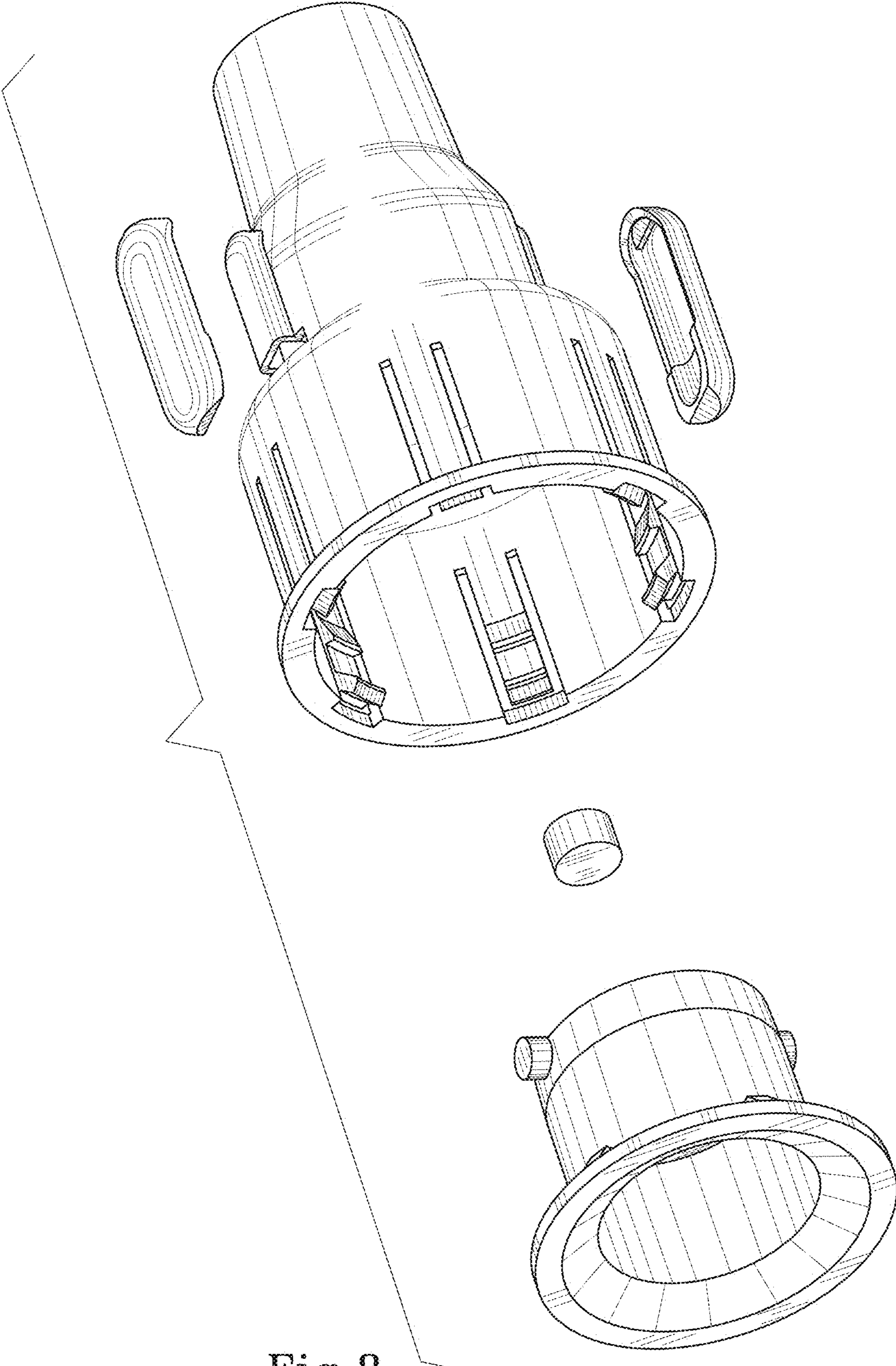


Fig. 8

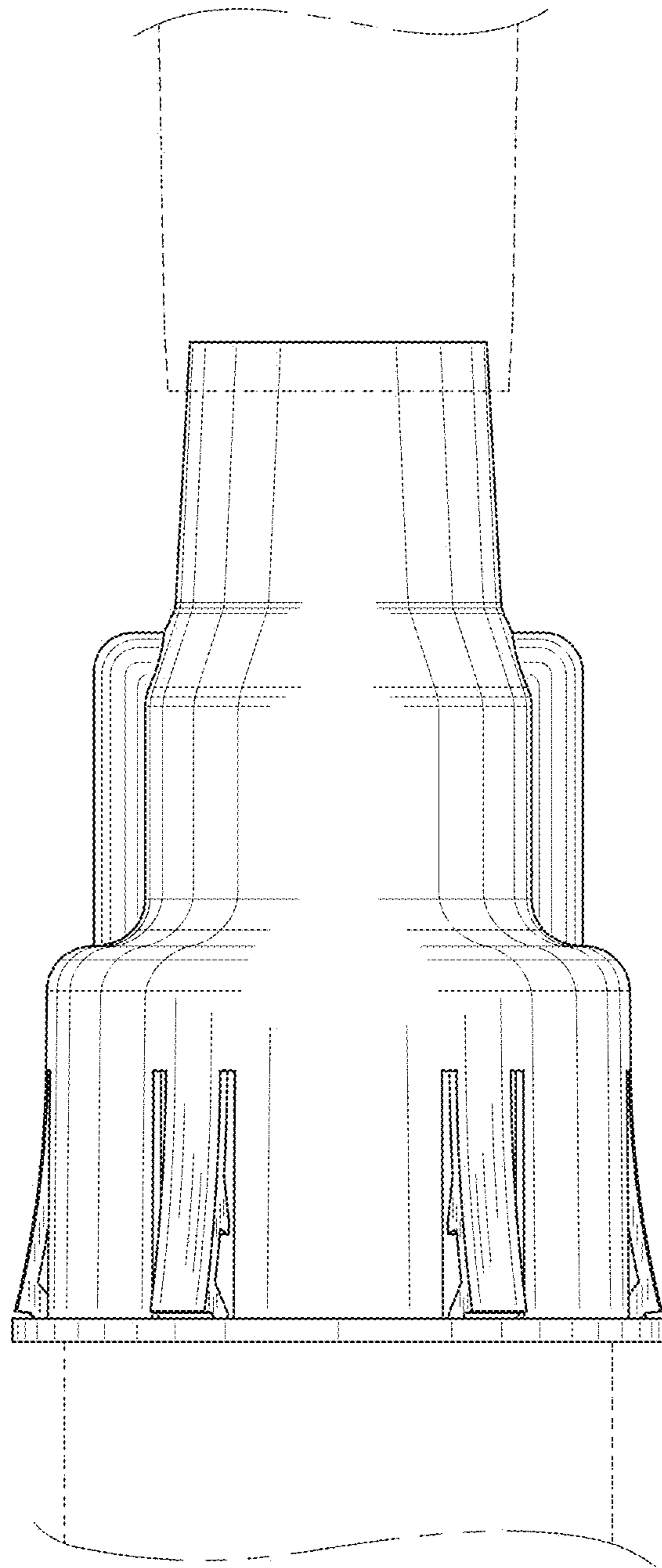


Fig.9

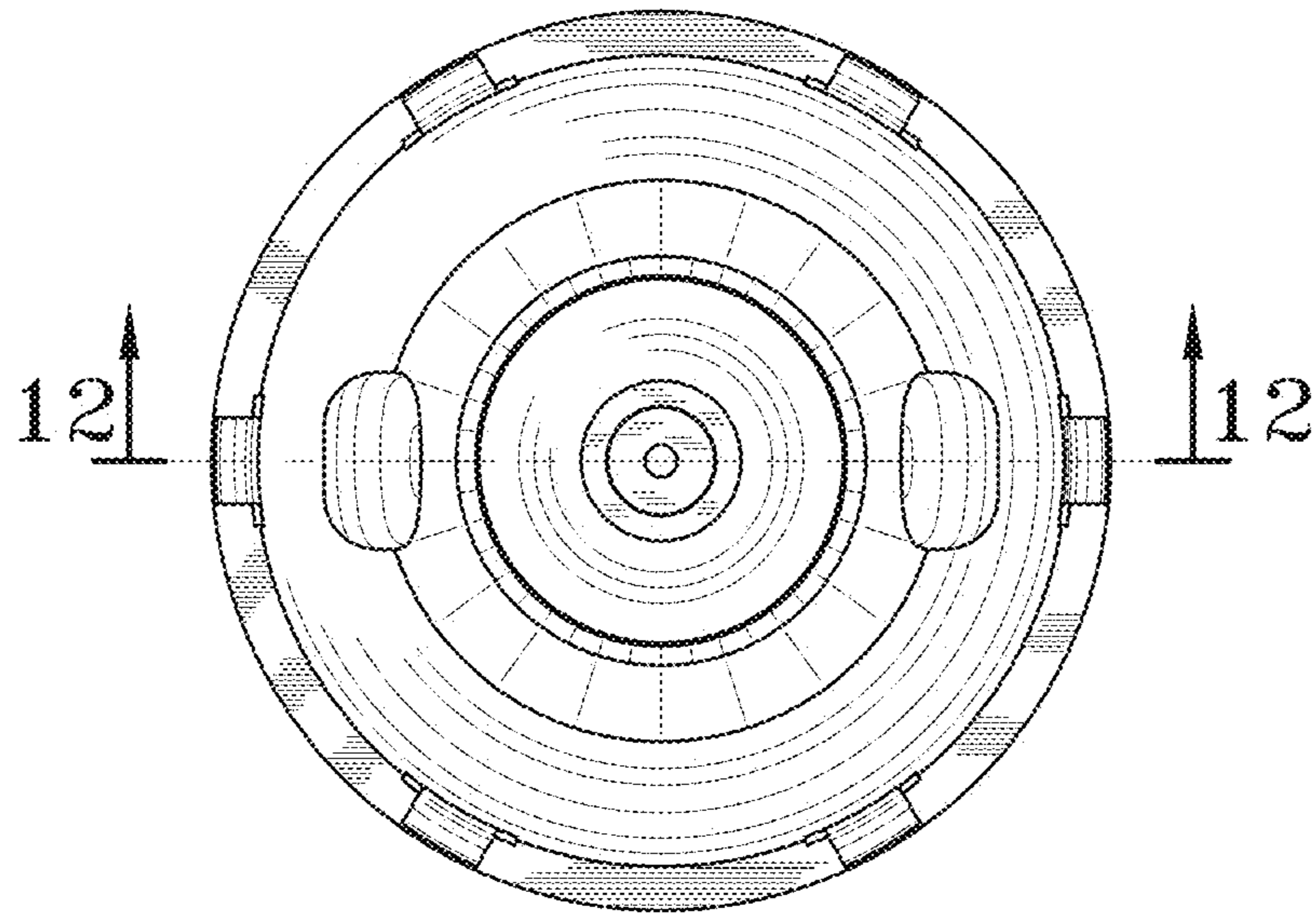


Fig. 10

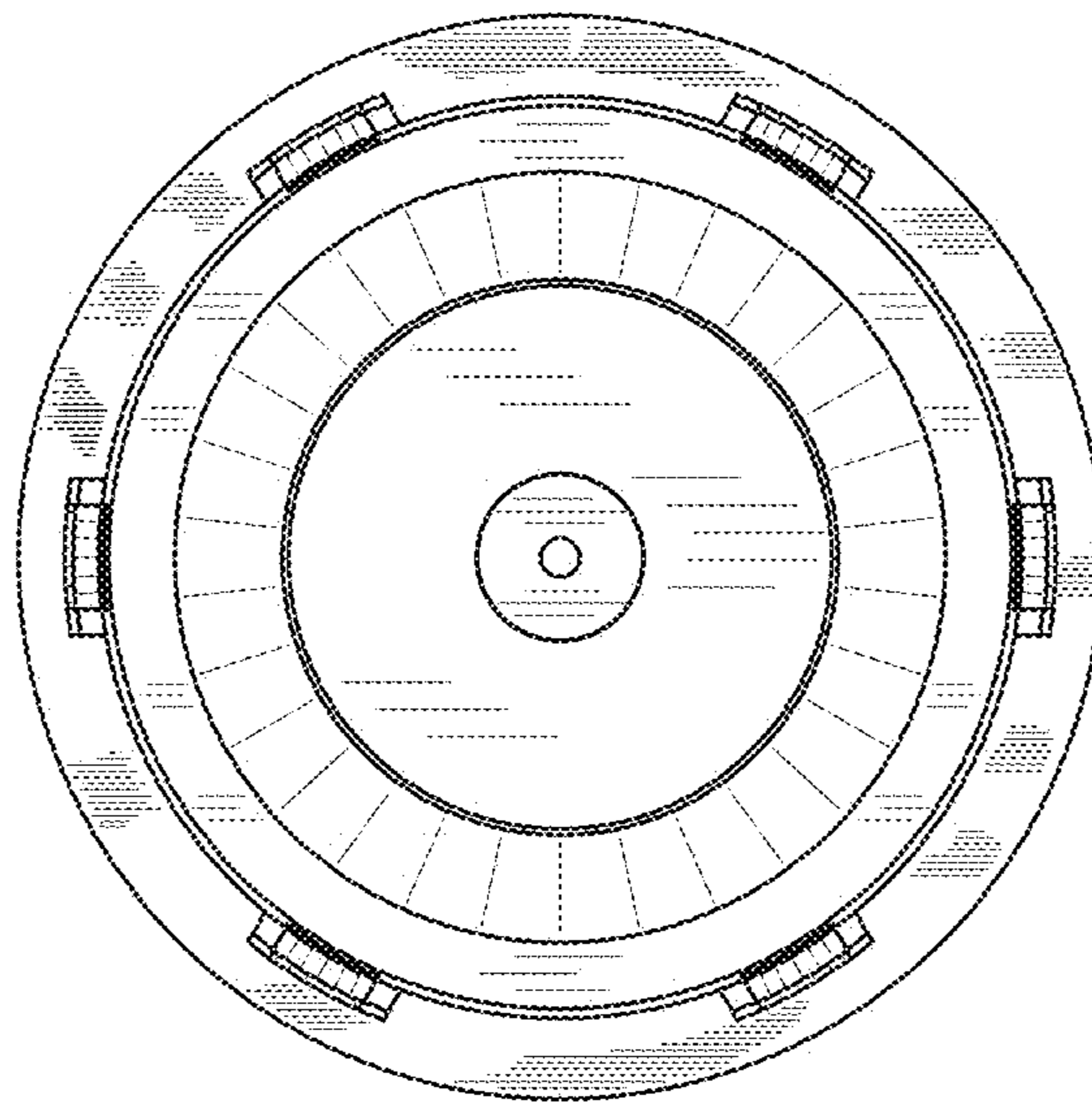


Fig. 11

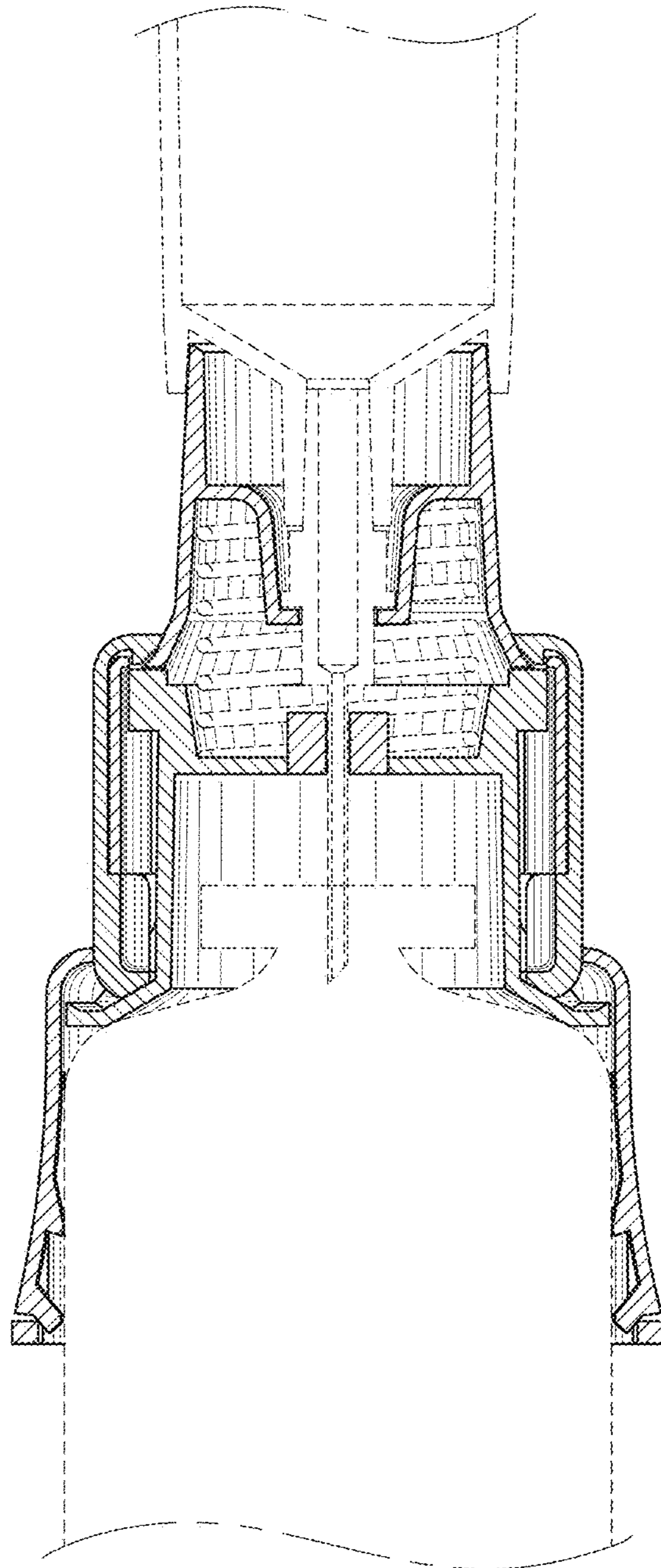


Fig. 12

UNITED STATES PATENT AND TRADEMARK OFFICE
CERTIFICATE OF CORRECTION

PATENT NO. : D738,494 S
APPLICATION NO. : 29/447664
DATED : September 8, 2015
INVENTOR(S) : Avtar Kashmirian

Page 1 of 1

It is certified that error appears in the above-identified patent and that said Letters Patent is hereby corrected as shown below:

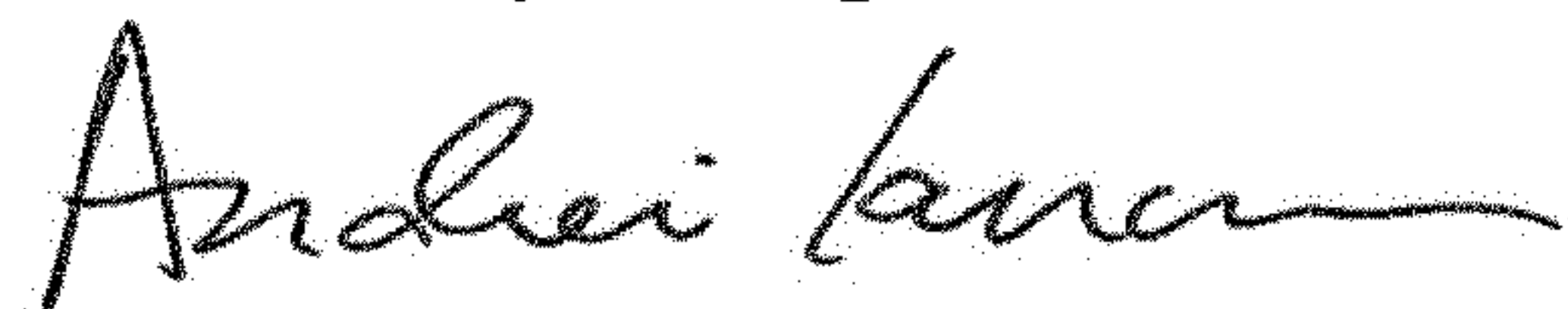
On the Title Page

Item (30), please add the following:

Prior Foreign Application Data:

UK Patent Application No. 4028074, filed on Jan. 4, 2013.

Signed and Sealed this
Third Day of September, 2019



Andrei Iancu
Director of the United States Patent and Trademark Office