



US00D738491S

(12) **United States Design Patent**  
**Foley et al.**

(10) **Patent No.:** **US D738,491 S**

(45) **Date of Patent:** **\*\* Sep. 8, 2015**

- (54) **GUIDE WIRE BOWL**
- (71) Applicant: **Medline Industries, Inc.**, Mundelein, IL (US)
- (72) Inventors: **Brian Foley**, Port Barrington, IL (US);  
**XingQuan Ren**, Skokie, IL (US)
- (73) Assignee: **MEDLINE INDUSTRIES, INC.**,  
Mundelein, IL (US)

5,590,778 A	1/1997	Dutchik	
5,611,428 A	3/1997	Banerian	
5,738,213 A	4/1998	Whiting et al.	
D433,130 S	10/2000	Cude et al.	
D455,193 S *	4/2002	Moulson	D23/200
D522,319 S *	6/2006	Palder	D7/602
D568,989 S *	5/2008	Kammer et al.	D24/123
D605,754 S *	12/2009	Nelson et al.	D24/121
D620,607 S *	7/2010	Anderson et al.	D24/231
D662,602 S *	6/2012	Foster et al.	D24/220
D668,331 S *	10/2012	Ren et al.	D24/123
D674,482 S *	1/2013	Wurapa	D24/121
D694,901 S *	12/2013	Hohl et al.	D24/220

(\*\*) Term: **14 Years**

(21) Appl. No.: **29/472,072**

(22) Filed: **Nov. 8, 2013**

(51) **LOC (10) Cl.** ..... **24-04**

(52) **U.S. Cl.**  
USPC ..... **D24/121**

(58) **Field of Classification Search**  
USPC ..... D24/121–123, 117, 224, 227, 230, 229,  
D24/140; D23/276, 295, 302, 274, 309,  
D23/200; 4/144.1–144.4, 450–460, DIG. 5;  
600/573, 574; D27/127, 102, 133, 134;  
242/588.6; D32/53; 206/303, 363, 438,  
206/365, 520, 407, 408, 434, 509, 210, 570,  
206/571, 203; D7/601, 602, 629, 672, 584,  
D7/587, 566, 586, 561, 562, 565; D9/419,  
D9/424, 428, 429  
CPC ..... B65D 21/0233; B65D 85/04  
See application file for complete search history.

(56) **References Cited**

**U.S. PATENT DOCUMENTS**

D175,044 S *	6/1955	Rodeffed	D27/133
3,547,569 A *	12/1970	Fenton et al.	431/295
D227,751 S *	7/1973	Gardner	D9/428
D278,931 S	5/1985	Larsson et al.	
4,915,216 A	4/1990	Magers	
4,936,448 A	6/1990	Holloway	
D327,849 S *	7/1992	Armstrong	D9/453
D364,564 S	11/1995	Moore	

**OTHER PUBLICATIONS**

Medline, Guide Wire Bowl, Apr. 23, 2015, <http://www.medline.com/product/Guide-Wire-Bowl/Vascular-Access/Z05-PF70778#>.\*

\* cited by examiner

*Primary Examiner* — David Muller

*Assistant Examiner* — Nathan Johnston

(74) *Attorney, Agent, or Firm* — McAndrews Held & Malloy, Ltd.

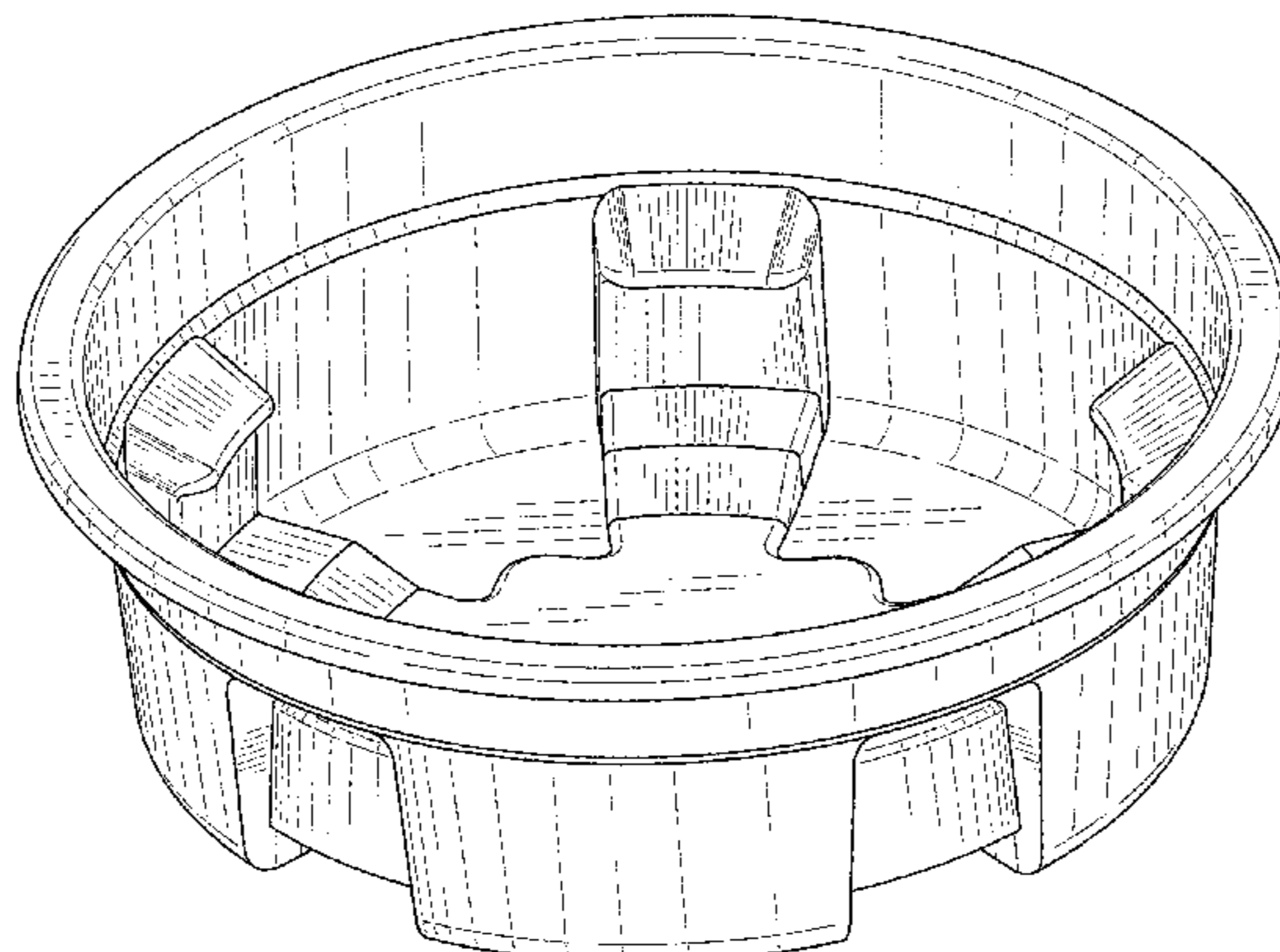
(57) **CLAIM**

The ornamental design for a guide wire bowl, as shown and described.

**DESCRIPTION**

FIG. 1 is a top perspective view of a guide wire bowl showing our new design;  
FIG. 2 is a front elevation view thereof;  
FIG. 3 is a rear elevation view thereof;  
FIG. 4 is a right side elevation view thereof;  
FIG. 5 is a left side elevation view thereof;  
FIG. 6 is a top plan view thereof;  
FIG. 7 is a bottom plan view thereof; and,  
FIG. 8 is a bottom perspective view thereof.  
The dashed lines are for environmental purposes only and form no part of the claimed design.

**1 Claim, 6 Drawing Sheets**



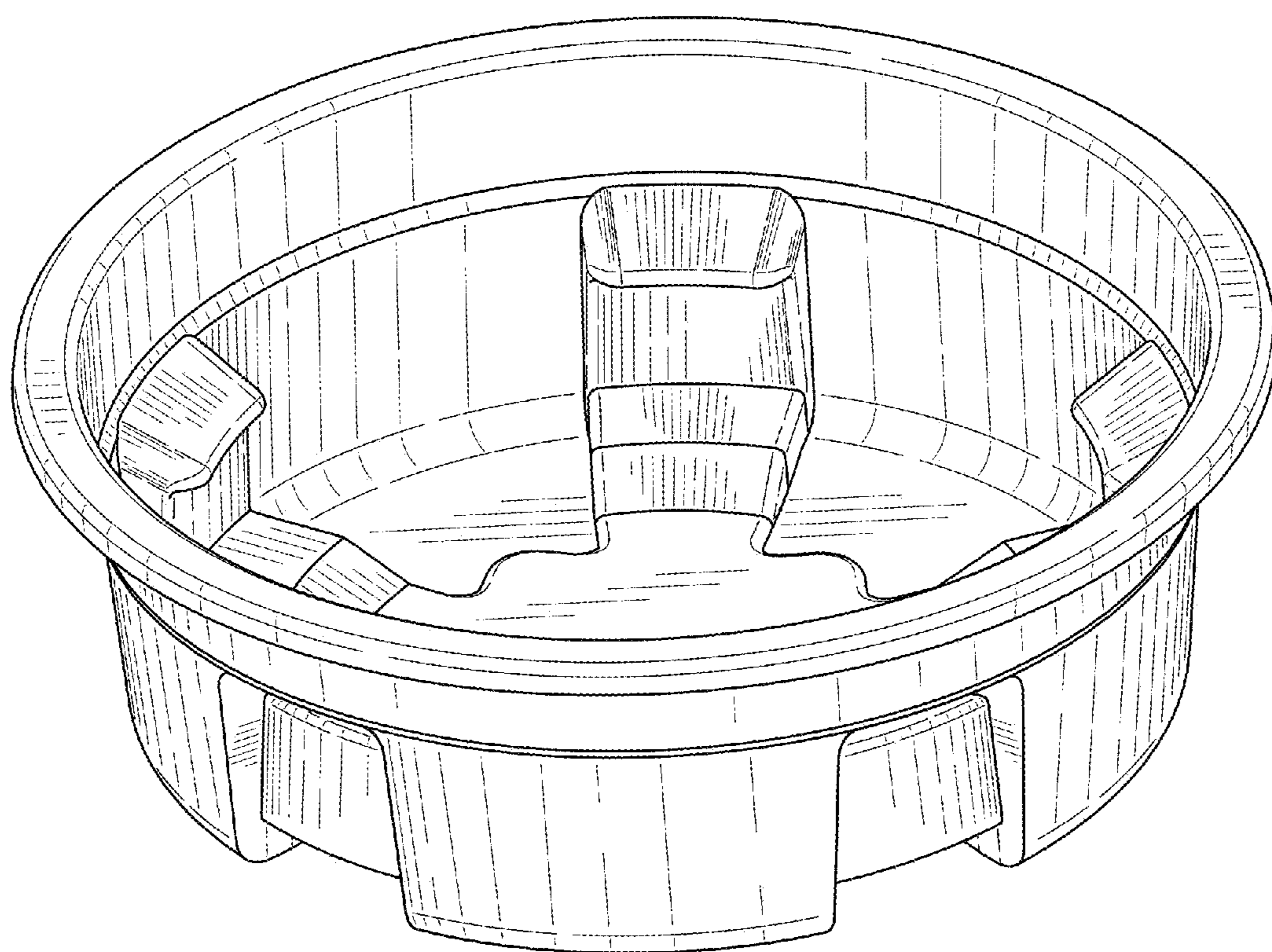


FIG. 1

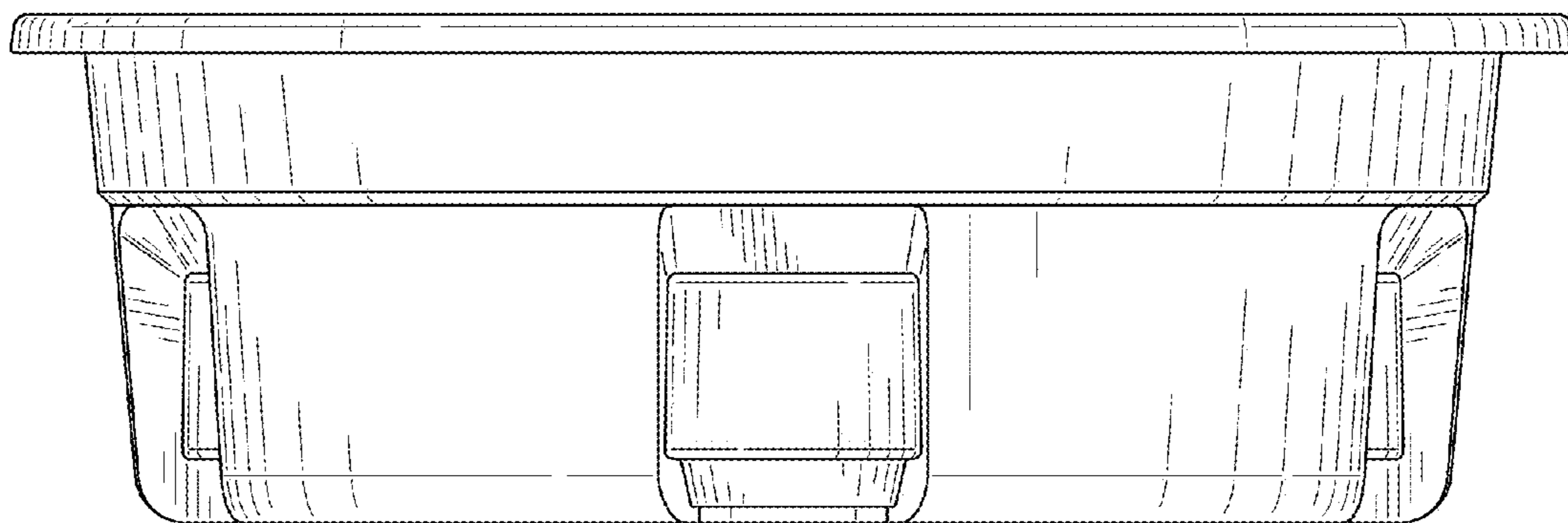


FIG. 2

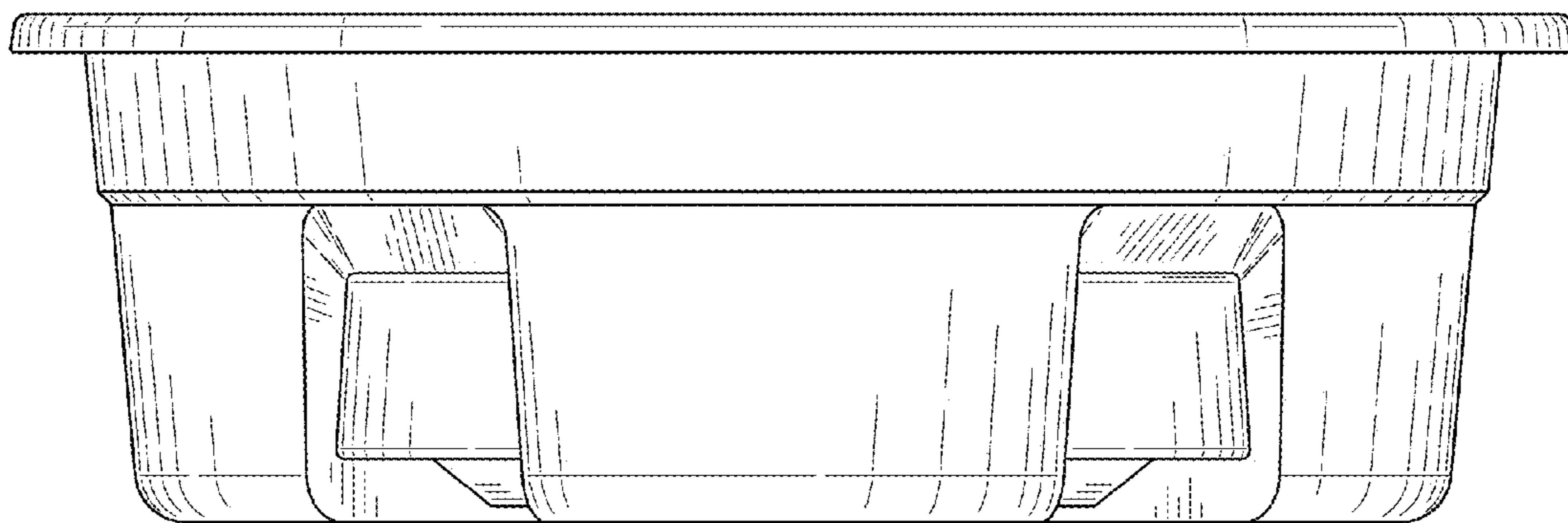


FIG. 3

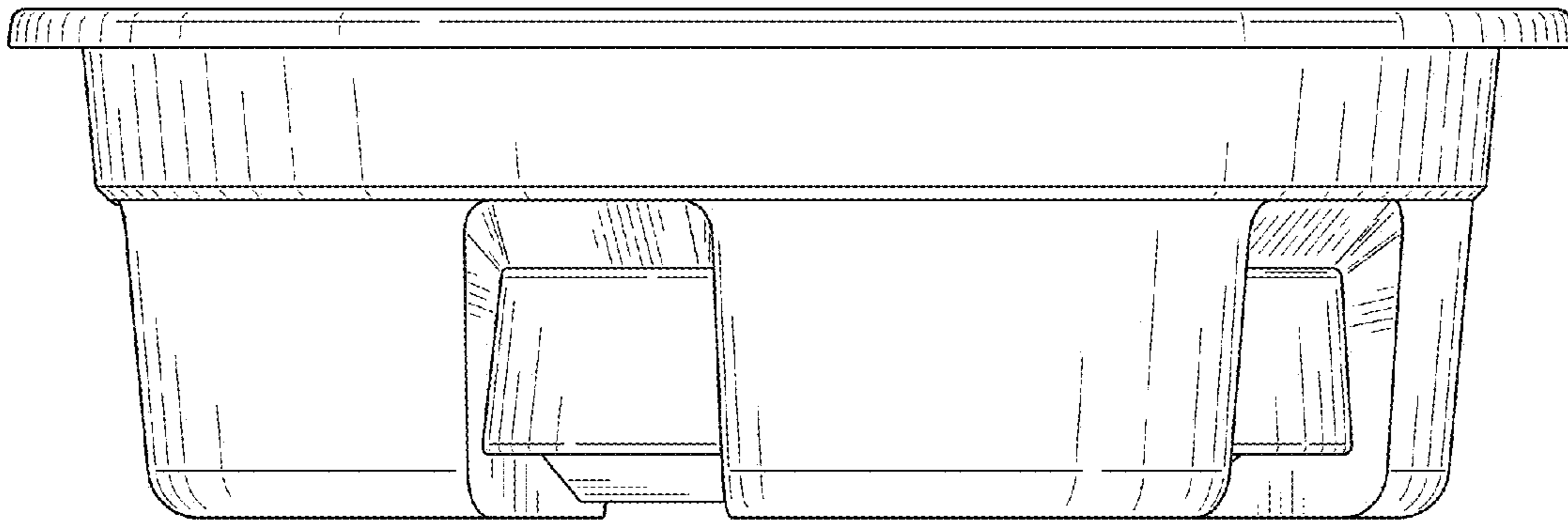


FIG. 4

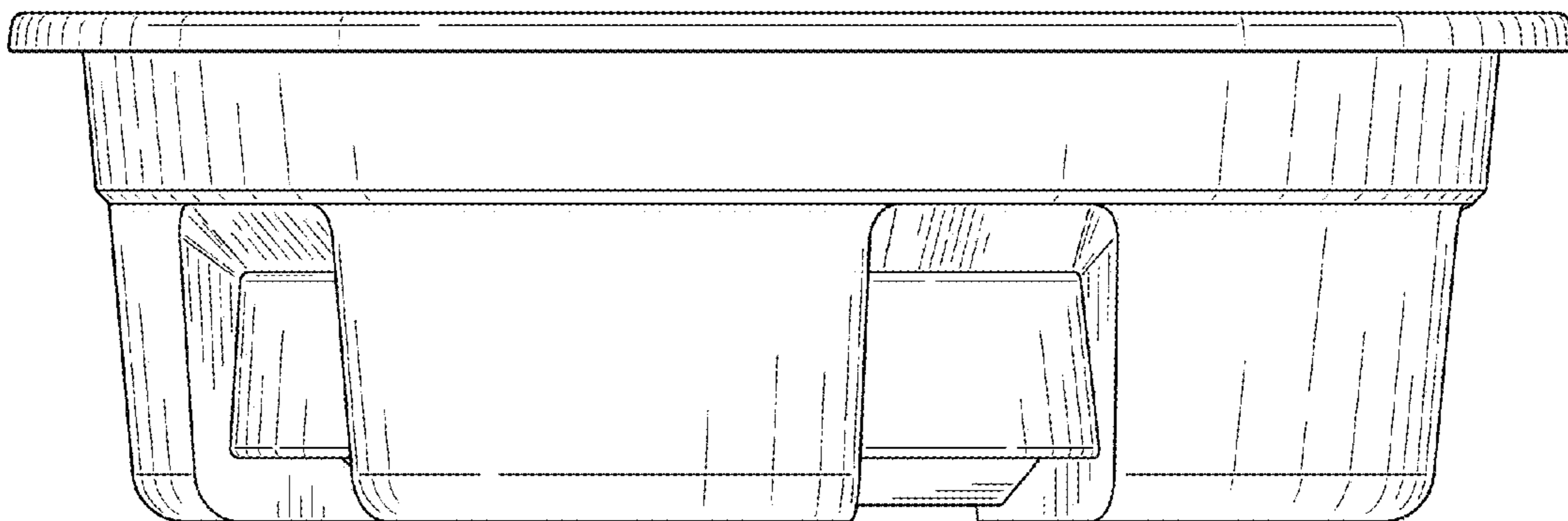


FIG. 5

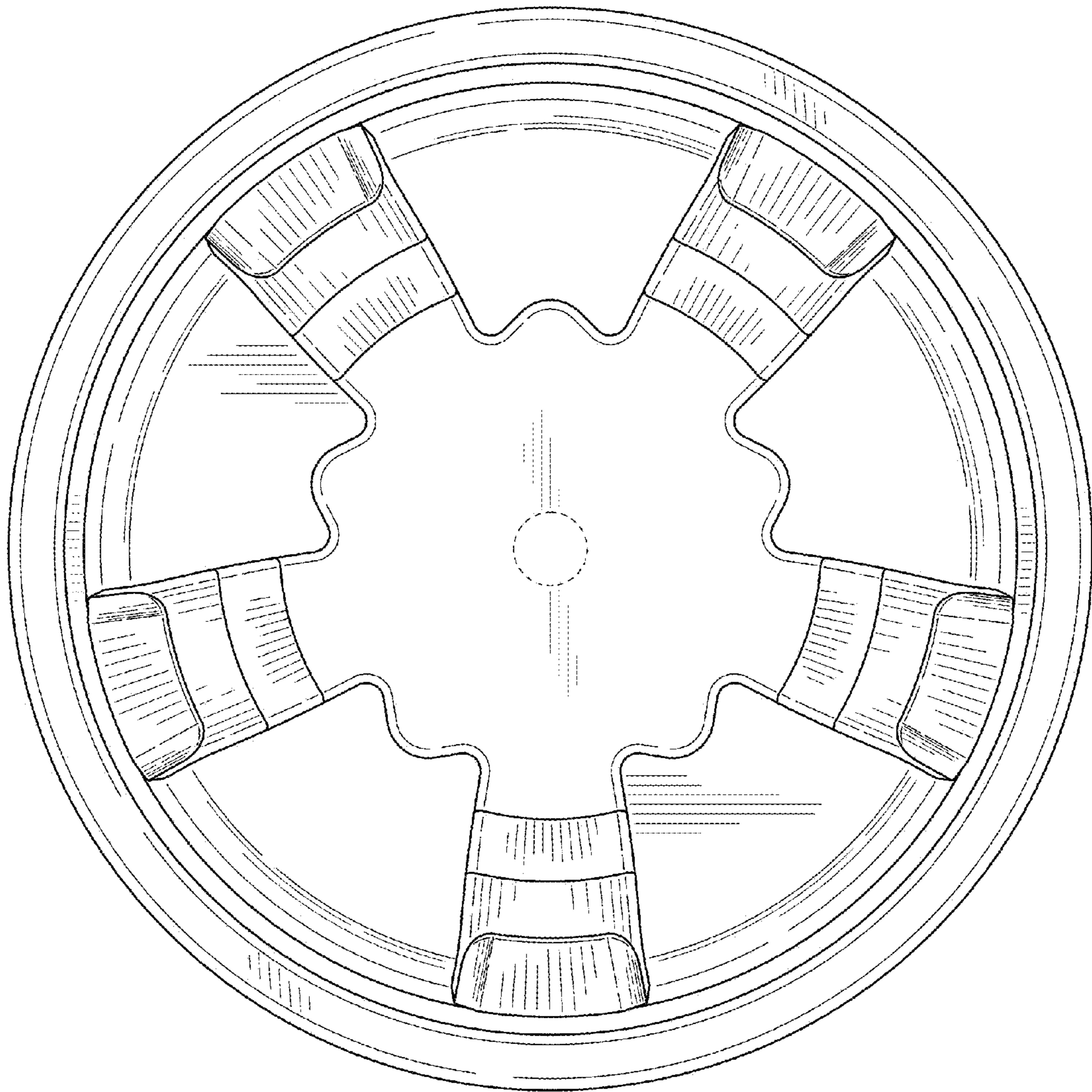


FIG. 6

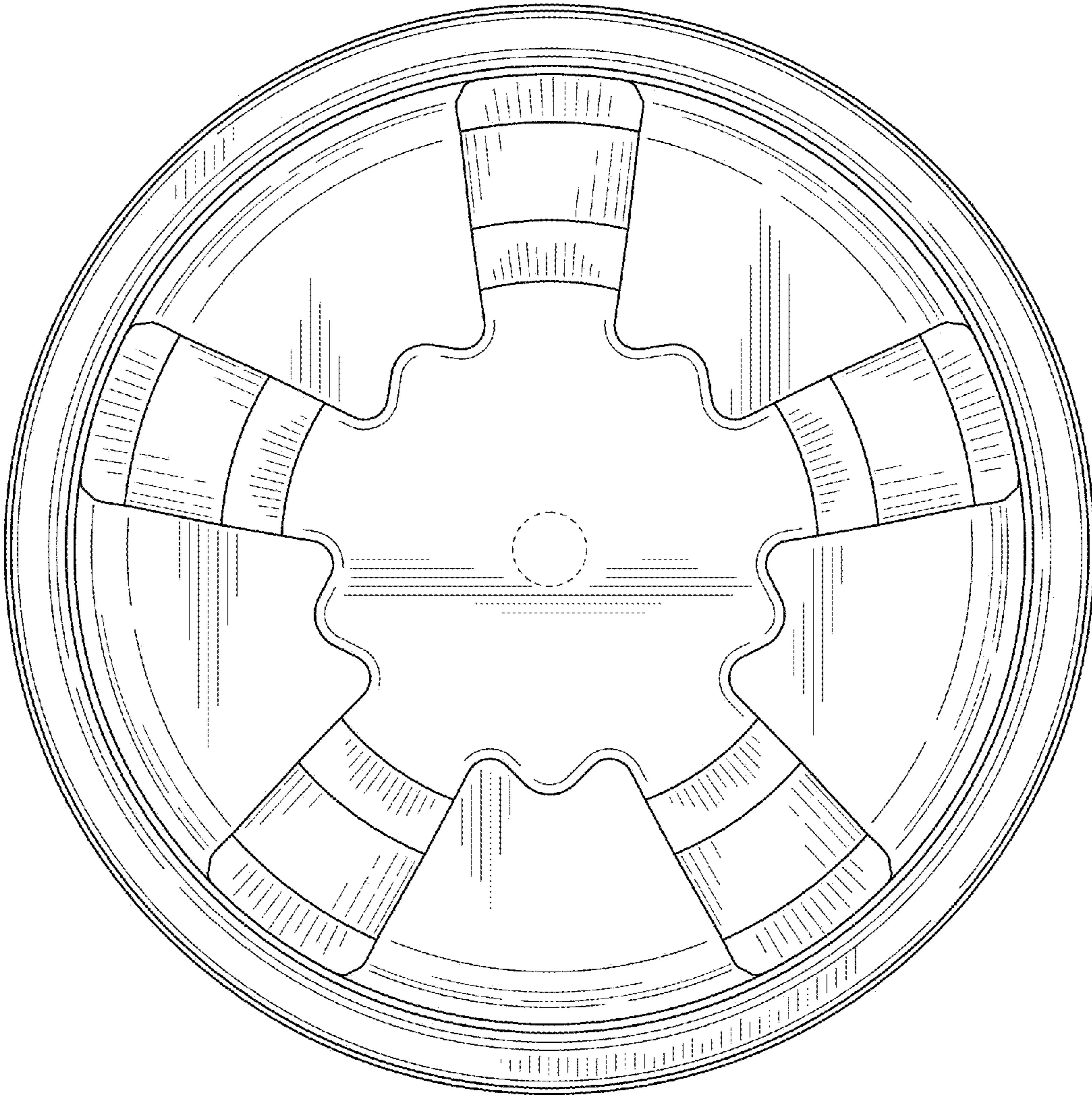


FIG. 7

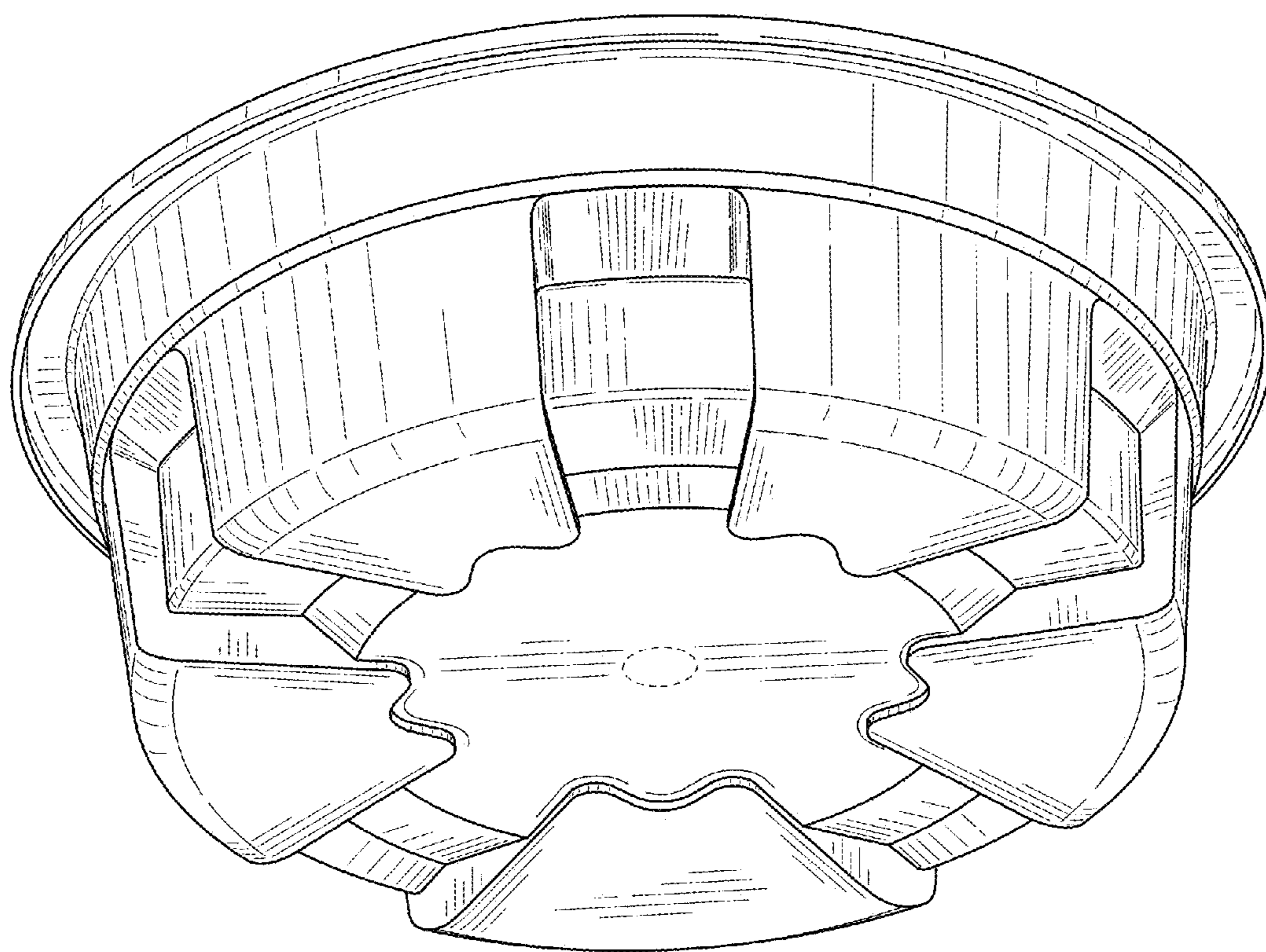


FIG. 8