



US00D738483S

(12) **United States Design Patent**
Lin et al.

(10) **Patent No.:** **US D738,483 S**
(45) **Date of Patent:** **** Sep. 8, 2015**

(54) **REGISTER**
(71) Applicant: **Sunonwealth Electric Machine Industry Co., Ltd., Kaohsiung (TW)**
(72) Inventors: **Cheng-Wei Lin, Kaohsiung (TW); Ho-Ming Huang, Kaohsiung (TW); Chieh-Hsiang Chuang, Kaohsiung (TW); Chia-Hung Su, Kaohsiung (TW)**

D510,996 S * 10/2005 Vladika D23/385
D569,492 S * 5/2008 Zakula et al. D23/388
D609,800 S * 2/2010 Chen D23/385
D617,889 S * 6/2010 Miyake D23/385
D635,238 S * 3/2011 Zakula et al. D23/388
D654,998 S * 2/2012 Zakula et al. D23/371
D672,449 S * 12/2012 Yeh D23/385
D702,827 S * 4/2014 Mase et al. D23/370
D705,417 S * 5/2014 Lin et al. D23/371
D706,916 S * 6/2014 Penlesky et al. D23/370
D713,952 S * 9/2014 Jepson D23/388

(73) Assignee: **Sunonwealth Electric Machine Industry Co., Ltd., Kaohsiung (TW)**

* cited by examiner

(**) Term: **14 Years**

Primary Examiner — David Muller

(21) Appl. No.: **29/469,066**

(74) *Attorney, Agent, or Firm* — Alan D. Kamrath; Kamrath IP Lawfirm, P.A.

(22) Filed: **Oct. 7, 2013**

(30) **Foreign Application Priority Data**

(57) **CLAIM**

The ornamental design for a register, as shown and described.

Sep. 27, 2013 (TW) 102306425

(51) **LOC (10) Cl.** **23-04**

(52) **U.S. Cl.**
USPC **D23/388**

DESCRIPTION

(58) **Field of Classification Search**
USPC D23/385–393, 381, 382, 370, 371, 354,
D23/358, 261; 454/309, 275–277, 284,
454/287–291; D26/59
See application file for complete search history.

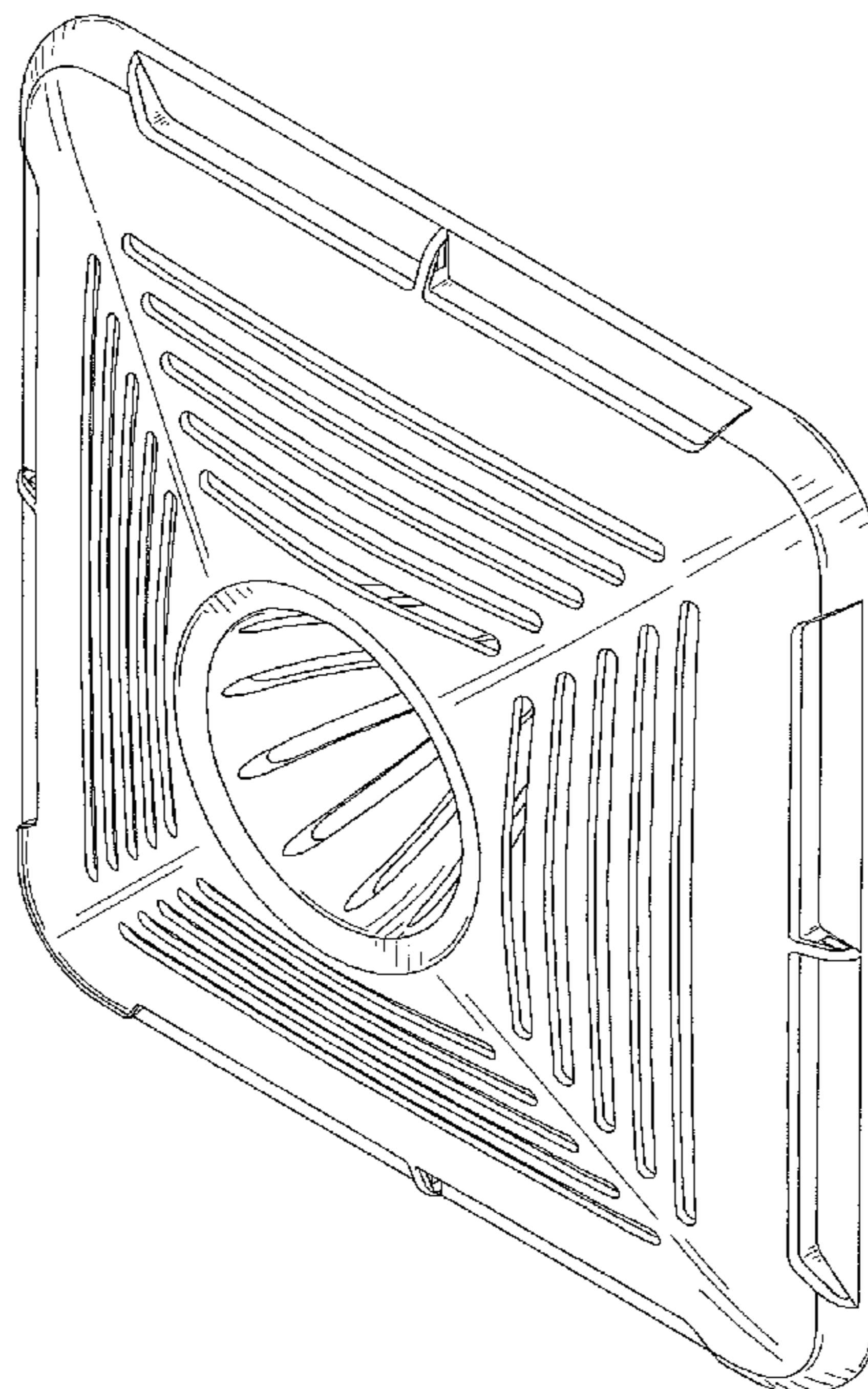
FIG. 1 is a perspective view of a register showing our new design;
FIG. 2 is a right side elevational view of the register;
FIG. 3 is a top plan view of the register;
FIG. 4 is a front elevational view of the register;
FIG. 5 is a bottom plan view of the register;
FIG. 6 is a left side elevational view of the register;
FIG. 7 is a rear elevational view of the register; and,
FIG. 8 is a rear perspective view of the register.

(56) **References Cited**

U.S. PATENT DOCUMENTS

D372,775 S * 8/1996 Schuler D23/412
D496,992 S * 10/2004 Lafond D23/388

1 Claim, 6 Drawing Sheets



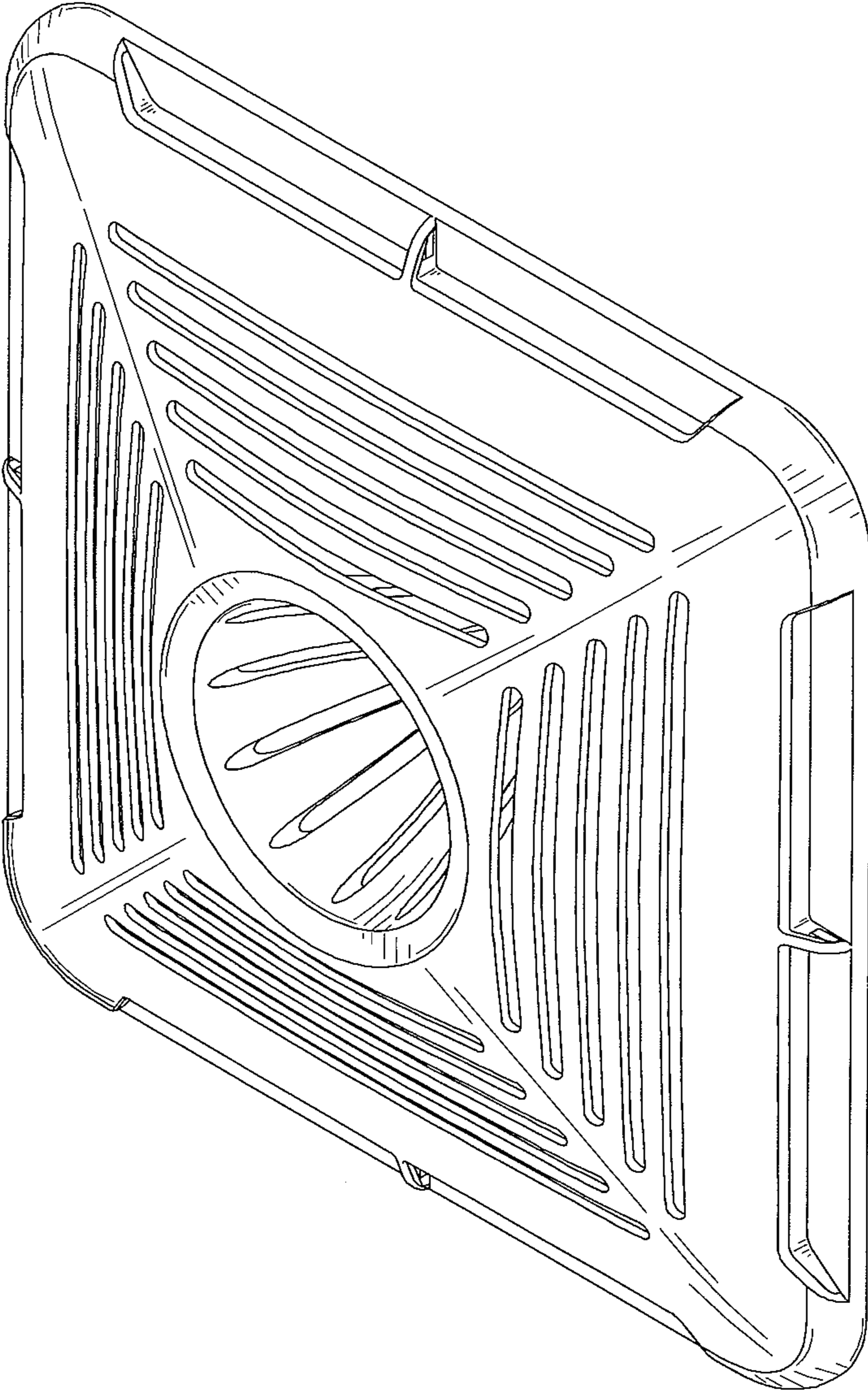


FIG. 1

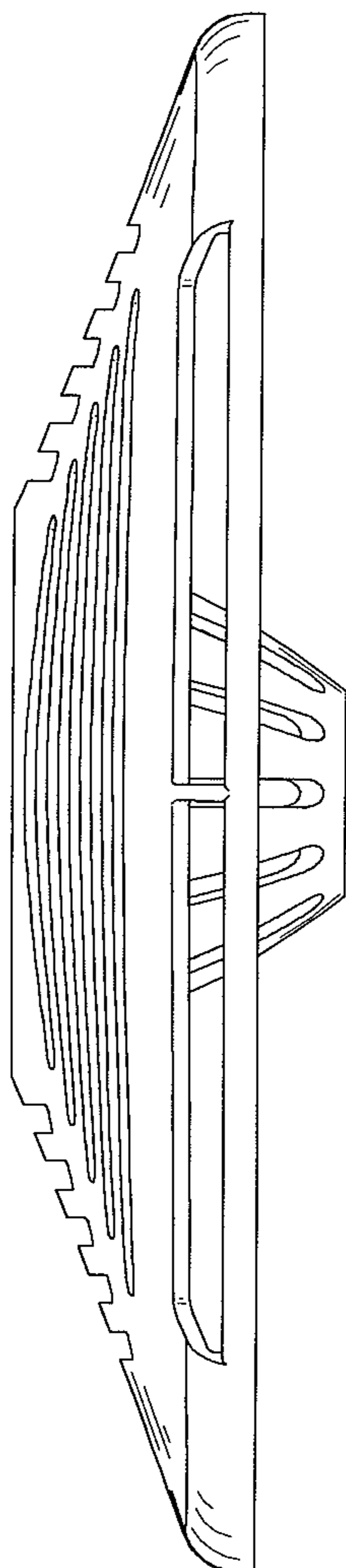


FIG. 2

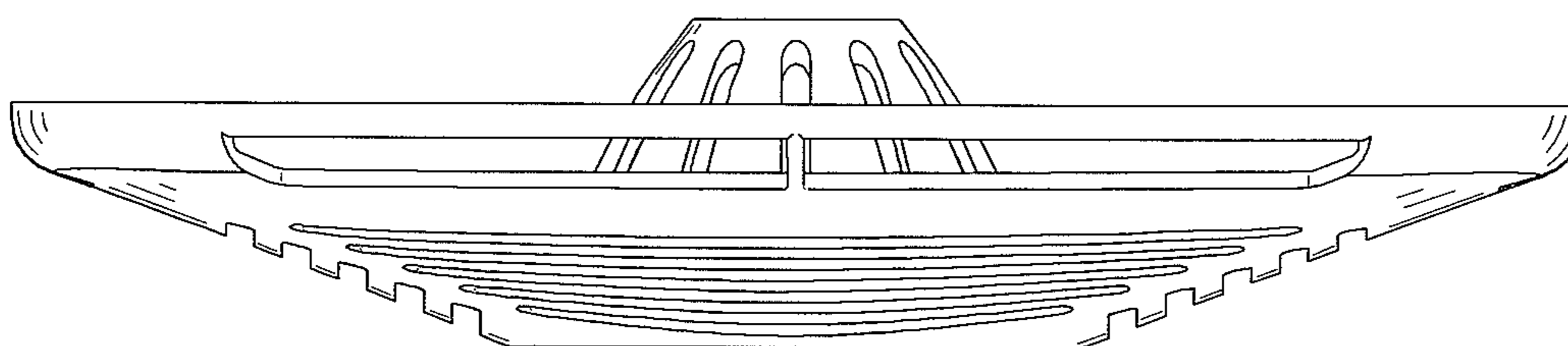


FIG. 3

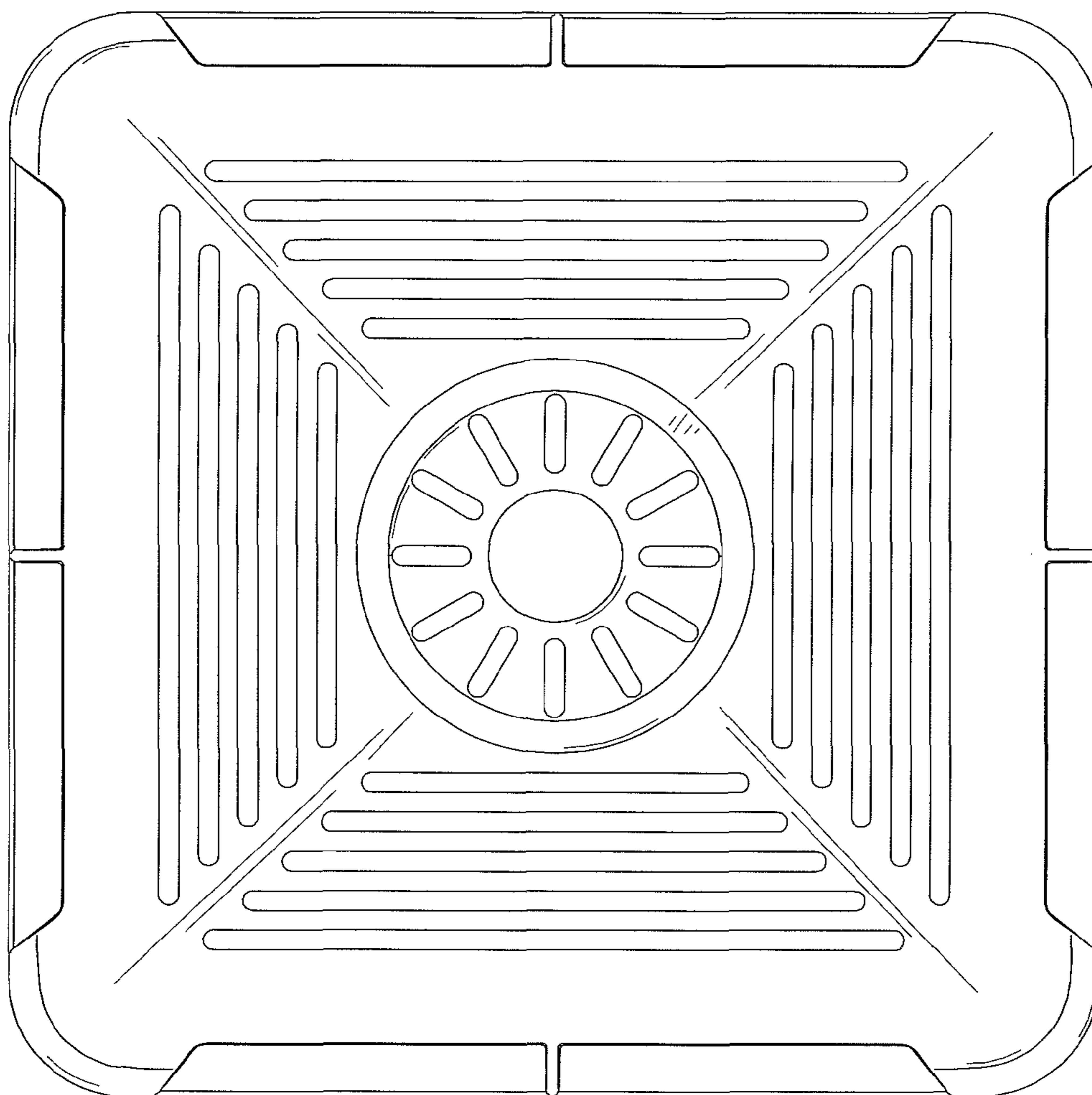


FIG. 4

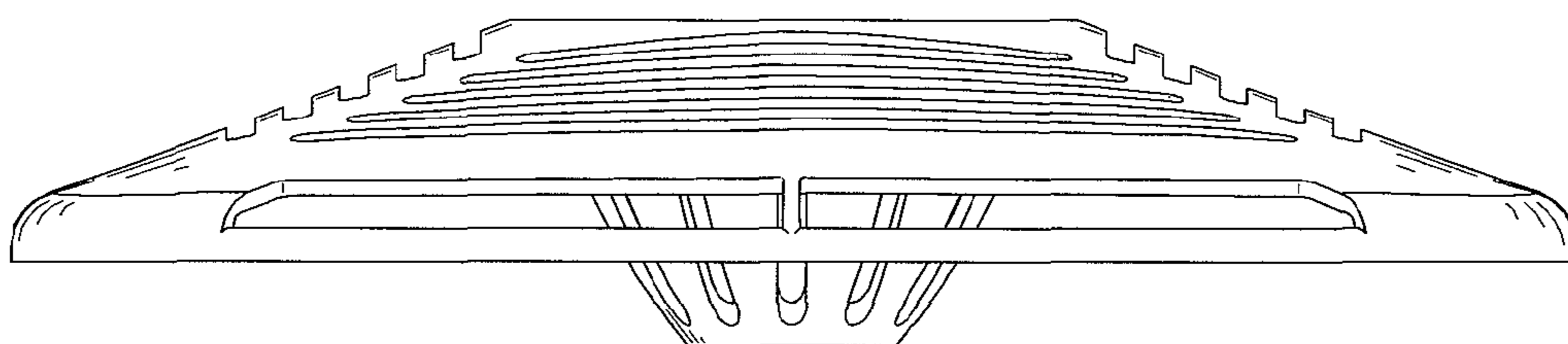


FIG. 5

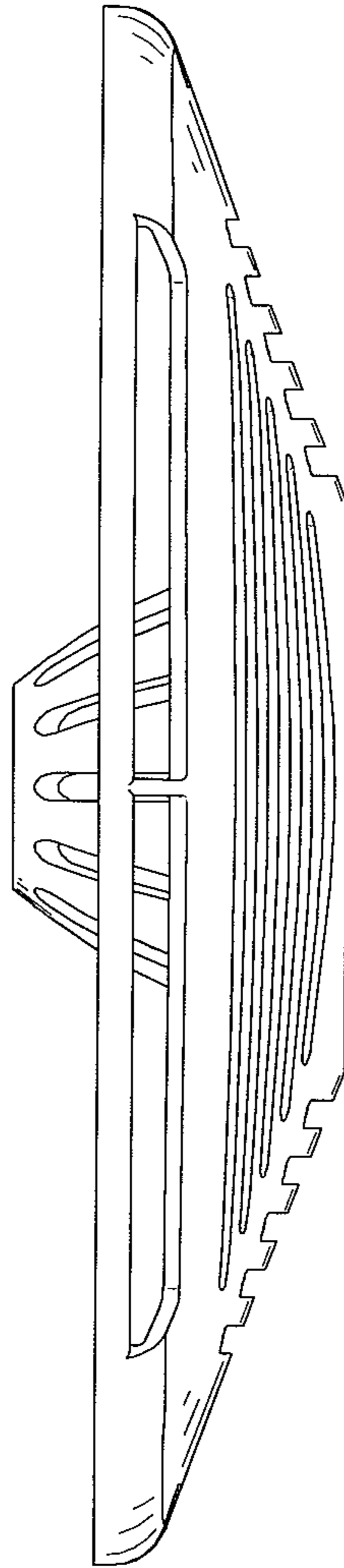


FIG. 6

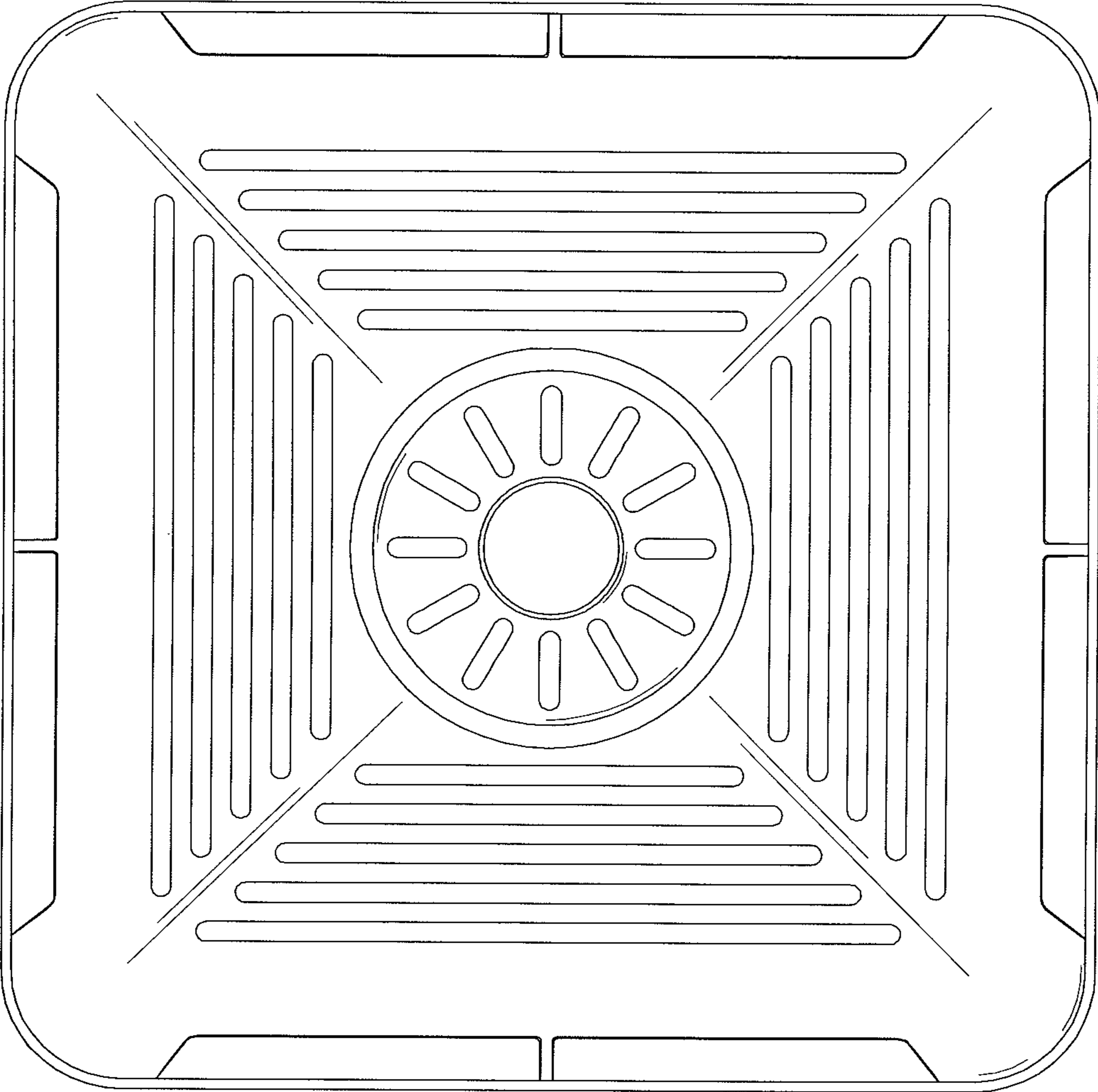


FIG. 7

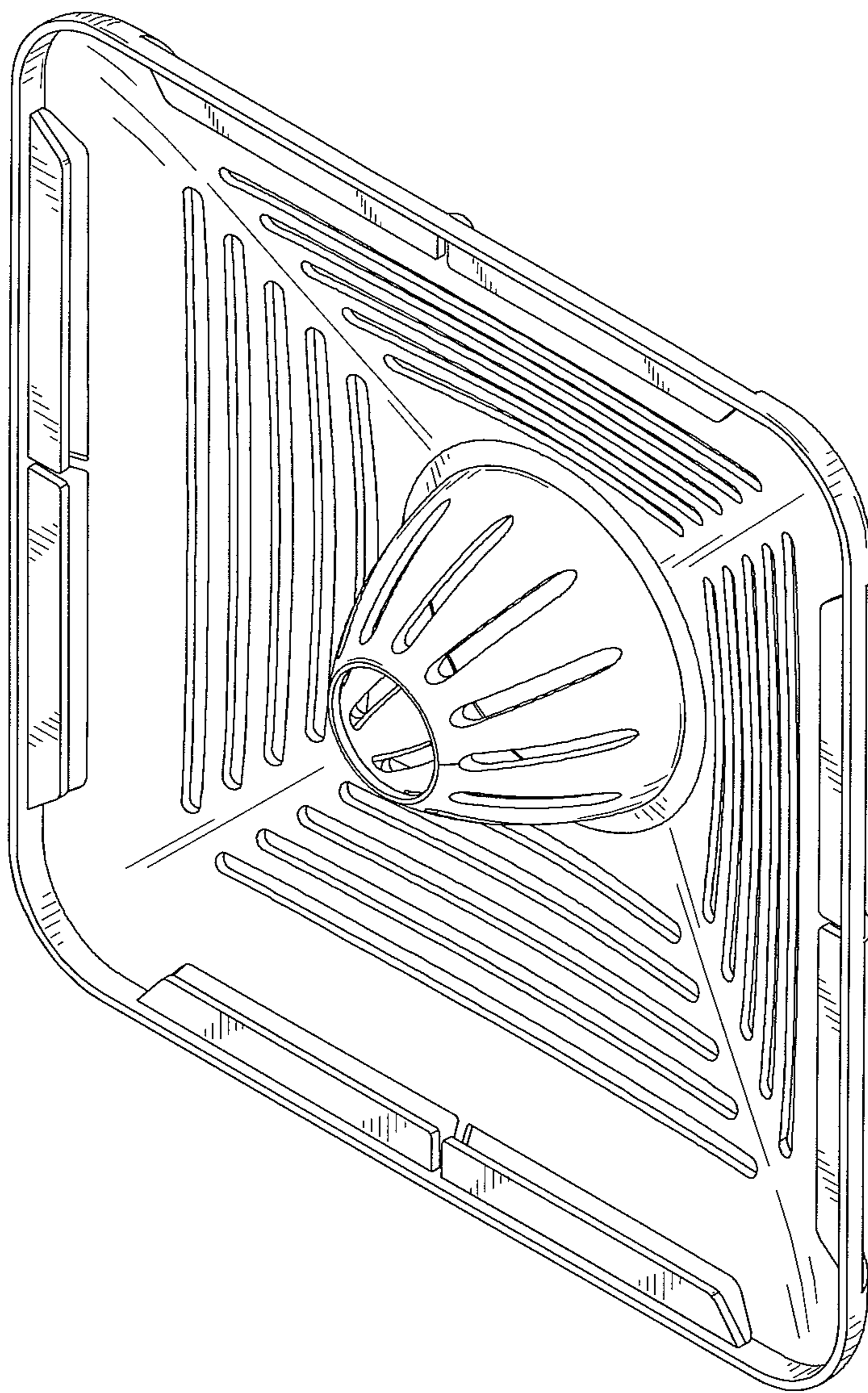


FIG. 8