



US00D738481S

(12) **United States Design Patent**
Markič et al.

(10) **Patent No.:** **US D738,481 S**

(45) **Date of Patent:** **** Sep. 8, 2015**

(54) **ELECTRICAL BLOWER**

(71) Applicants: **Igor Markič**, Škofja Loka (SI); **Tomaž Čemažar**, Selca (SI); **Janez Rihtaršič**, Železniki (SI)

(72) Inventors: **Igor Markič**, Škofja Loka (SI); **Tomaž Čemažar**, Selca (SI); **Janez Rihtaršič**, Železniki (SI)

(73) Assignee: **Nela D.O.O.**, Zelezniki (SI)

(**) Term: **14 Years**

(21) Appl. No.: **29/441,021**

(22) Filed: **Dec. 30, 2012**

(51) **LOC (10) Cl.** **23-04**

(52) **U.S. Cl.**
USPC **D23/383**

(58) **Field of Classification Search**
USPC D23/364, 365, 370–373, 376, 381–387, D23/393, 399, 411, 499, 335; 415/208.1, 415/108, 129–128, 196, 203, 206, 415/213.1–215.1; 416/158; 454/349, 354, 454/329; 55/481, 467, 492, 493, 385.1; D15/7; 126/104 A, 110 A; 417/411
CPC F04D 29/4426; F04D 29/4233; F04D 29/281; F04D 17/165; F04D 17/16; F04D 25/06; F04D 29/4226; F04D 29/023; F01P 11/12; F01D 25/24; F24H 9/02; A45D 20/10
See application file for complete search history.

(56) **References Cited**

U.S. PATENT DOCUMENTS

1,152,473 A * 9/1915 Barnes 415/206
D181,608 S * 12/1957 Rowley D23/383
2,828,682 A * 4/1958 Marker 454/354

2,850,228 A * 9/1958 Rowley 417/411
3,271,938 A * 9/1966 Rest et al. 55/385.1
D223,734 S * 5/1972 Barber D23/383
3,809,504 A * 5/1974 Goossens 417/411
D239,939 S * 5/1976 Whitebread D23/393

(Continued)

FOREIGN PATENT DOCUMENTS

WO WO 2013079102 A1 * 6/2013 H05K 5/06

OTHER PUBLICATIONS

Electric Blower (Design -© Questel). orbit.com [online PDF] 4 pages. Uploaded as early as Nov. 14, 2003 [retrieved on Nov. 2, 2014]. Retrieved from Internet: <<http://sobjprd.questel.fr/export/QPTUJ214/pdf2/e2413adf-26c4-47d0-992f-9601be78e14a-215745.pdf>>.*

Primary Examiner — Susan Bennett Hattan

Assistant Examiner — Marie Fast Horse

(74) *Attorney, Agent, or Firm* — Holland & Hart LLP

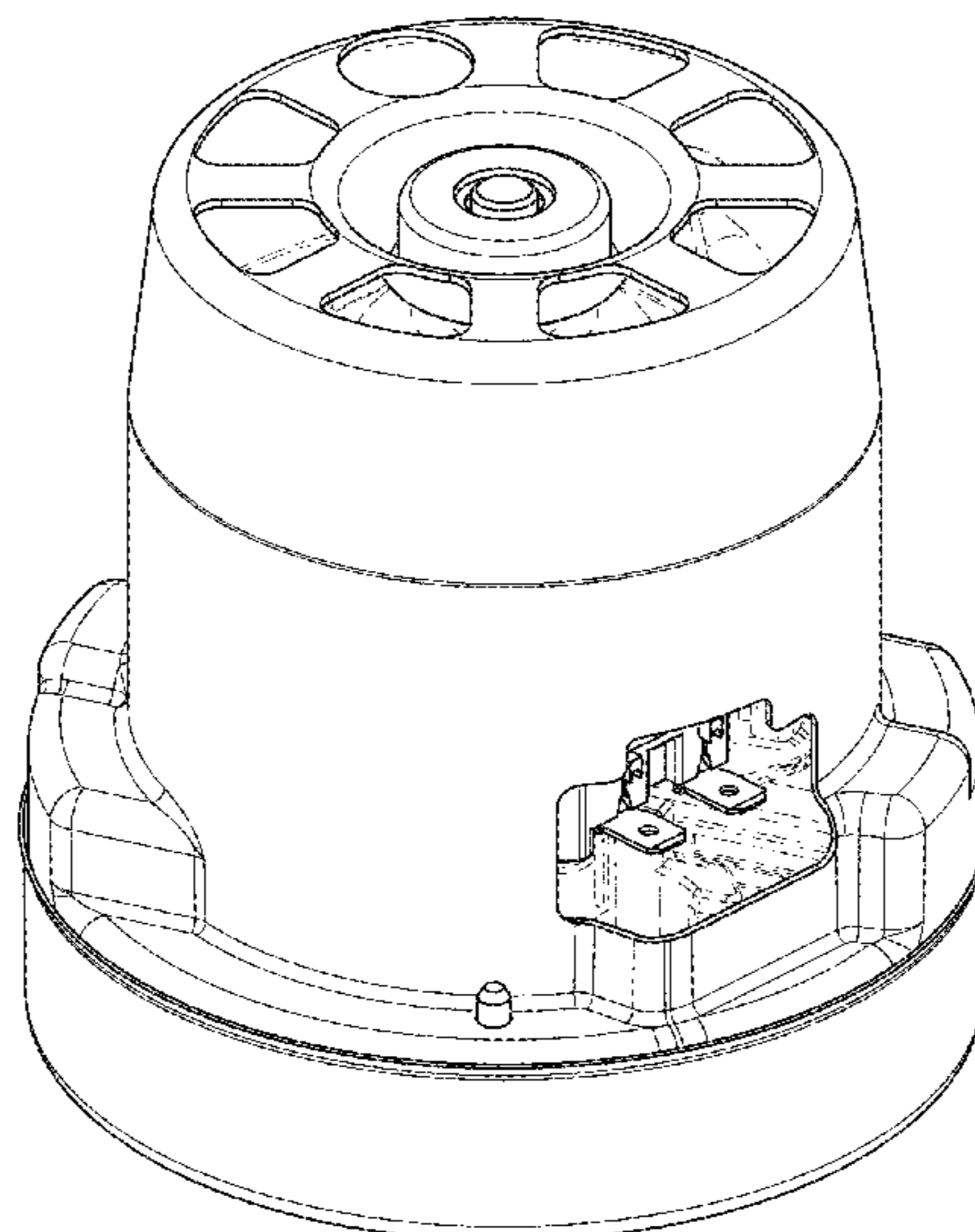
(57) **CLAIM**

The ornamental design for an electrical blower, as shown and described.

DESCRIPTION

FIG. 1 is a bottom perspective view of the electrical blower, showing our new design;
FIG. 2 is a top view of the design illustrated in FIG. 1;
FIG. 3 is a bottom view of the design illustrated in FIG. 1;
FIG. 4 is a front view of the design illustrated in FIG. 1;
FIG. 5 is a rear view of the design illustrated in FIG. 1;
FIG. 6 is a right side view of the design illustrated in FIG. 1; and,
FIG. 7 is a left side view of the design illustrated in FIG. 1.
The broken lines in the drawings depict parts of the Electrical Blower that form no part of the claimed design.

1 Claim, 7 Drawing Sheets



(56)

References Cited

U.S. PATENT DOCUMENTS

D268,281	S *	3/1983	Prikkel, III	D23/386	D639,924	S *	6/2011	Winkler	D23/370
D281,272	S *	11/1985	Lynch, Jr.	D23/364	8,029,237	B2 *	10/2011	Chang et al.	415/206
D291,487	S *	8/1987	Delmas	D23/383	D657,800	S *	4/2012	Villagomez et al.	D15/7
D291,488	S *	8/1987	Delmas	D23/383	8,344,562	B2 *	1/2013	Kim	310/51
D304,833	S *	11/1989	Luchsinger	D15/7	D681,184	S *	4/2013	Romero Carreras	D23/370
5,110,266	A *	5/1992	Toyoshima et al.	417/312	D684,678	S *	6/2013	Okada et al.	D23/411
D351,602	S *	10/1994	Rosebraugh et al.	D15/7	D691,252	S *	10/2013	Moredock et al.	D23/365
D361,834	S *	8/1995	Hunniford	D23/364	D701,299	S *	3/2014	Oba	D23/370
D381,411	S *	7/1997	Kapturowski	D23/370	D703,301	S *	4/2014	Peia	D23/370
D404,122	S *	1/1999	Hayashi et al.	D23/370	8,695,162	B2 *	4/2014	Yokote et al.	15/412
D405,806	S *	2/1999	Poon	D15/7	D704,819	S *	5/2014	Wang	D23/411
D412,567	S *	8/1999	Ward et al.	D23/364	D706,407	S *	6/2014	Wang	D23/385
5,954,494	A *	9/1999	Goldsmith et al.	431/254	2006/0051205	A1 *	3/2006	Platz	415/206
6,019,678	A *	2/2000	Takahashi	454/354	2006/0110267	A1 *	5/2006	Tsai	417/411
D437,401	S *	2/2001	Ramos et al.	D23/364	2006/0112586	A1 *	6/2006	Kim	34/96
D450,376	S *	11/2001	Gieseke et al.	D23/364	2006/0182628	A1 *	8/2006	Kim et al.	415/206
6,419,718	B1 *	7/2002	Klug et al.	55/320	2006/0245920	A1 *	11/2006	Hou	415/206
6,436,162	B1 *	8/2002	Wake et al.	55/498	2009/0205154	A1 *	8/2009	Yokote et al.	15/300.1
D491,259	S *	6/2004	Garrison et al.	D23/383	2011/0258977	A1 *	10/2011	Dejaune et al.	55/385.1
7,223,070	B2 *	5/2007	Tam et al.	415/208.3	2011/0277267	A1 *	11/2011	Nakamura et al.	15/300.1
D591,414	S *	4/2009	Farnaby et al.	D23/365	2012/0093640	A1 *	4/2012	Chiang et al.	415/213.1
D614,524	S *	4/2010	McAlpine et al.	D15/7	2012/0107113	A1 *	5/2012	Toseland	415/214.1
7,771,501	B2 *	8/2010	Wang	55/467	2013/0195637	A1 *	8/2013	Chou	415/203
7,861,708	B1 *	1/2011	Lyons	126/110 A	2013/0251560	A1 *	9/2013	Xue et al.	417/410.1
D632,770	S *	2/2011	Rotter et al.	D23/364	2014/0158131	A1 *	6/2014	Kenyon et al.	128/204.18
						2014/0294578	A1 *	10/2014	Oh	415/208.1
						2014/0314592	A1 *	10/2014	Keon et al.	417/410.1

* cited by examiner

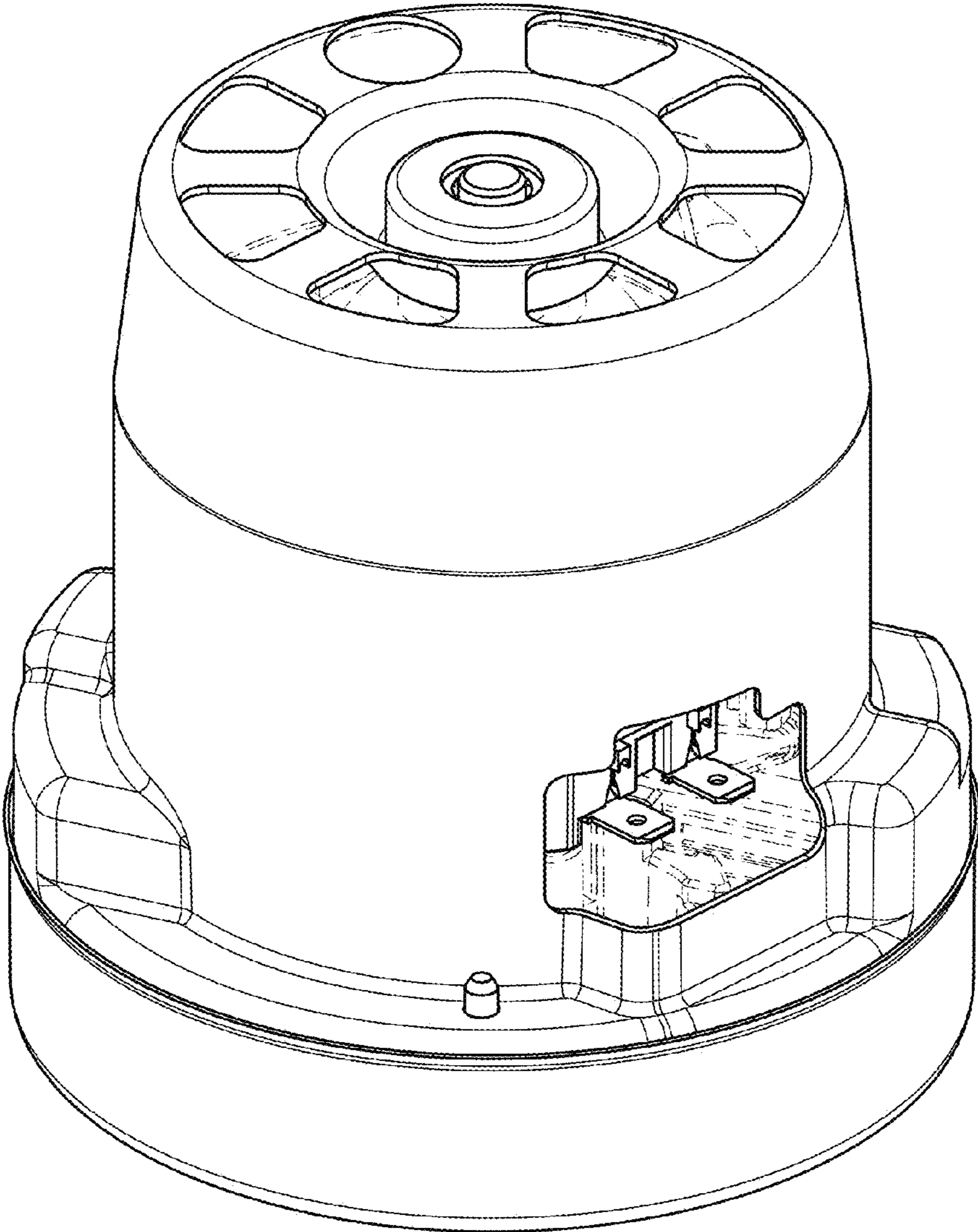


FIG. 1

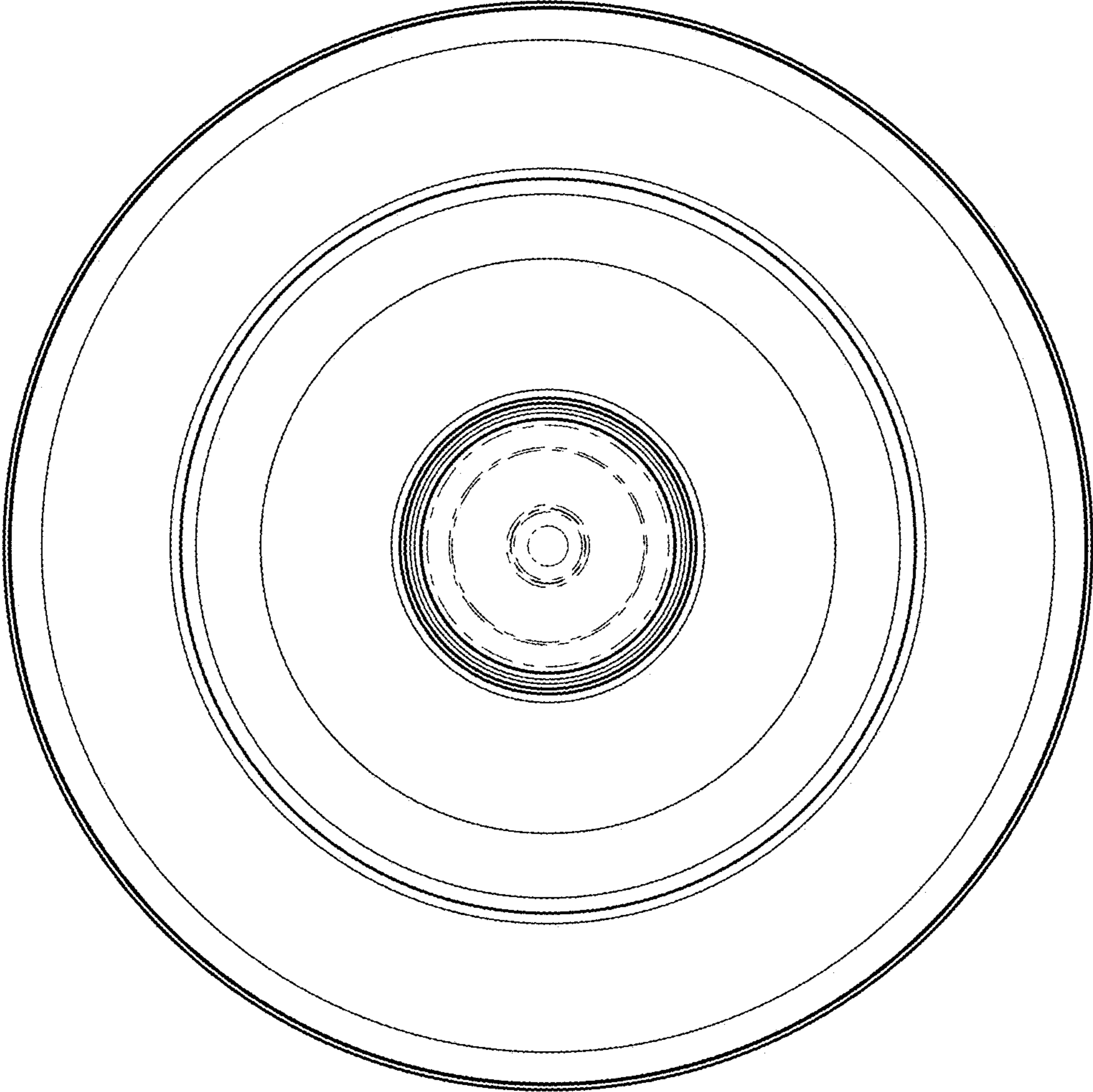


FIG. 2

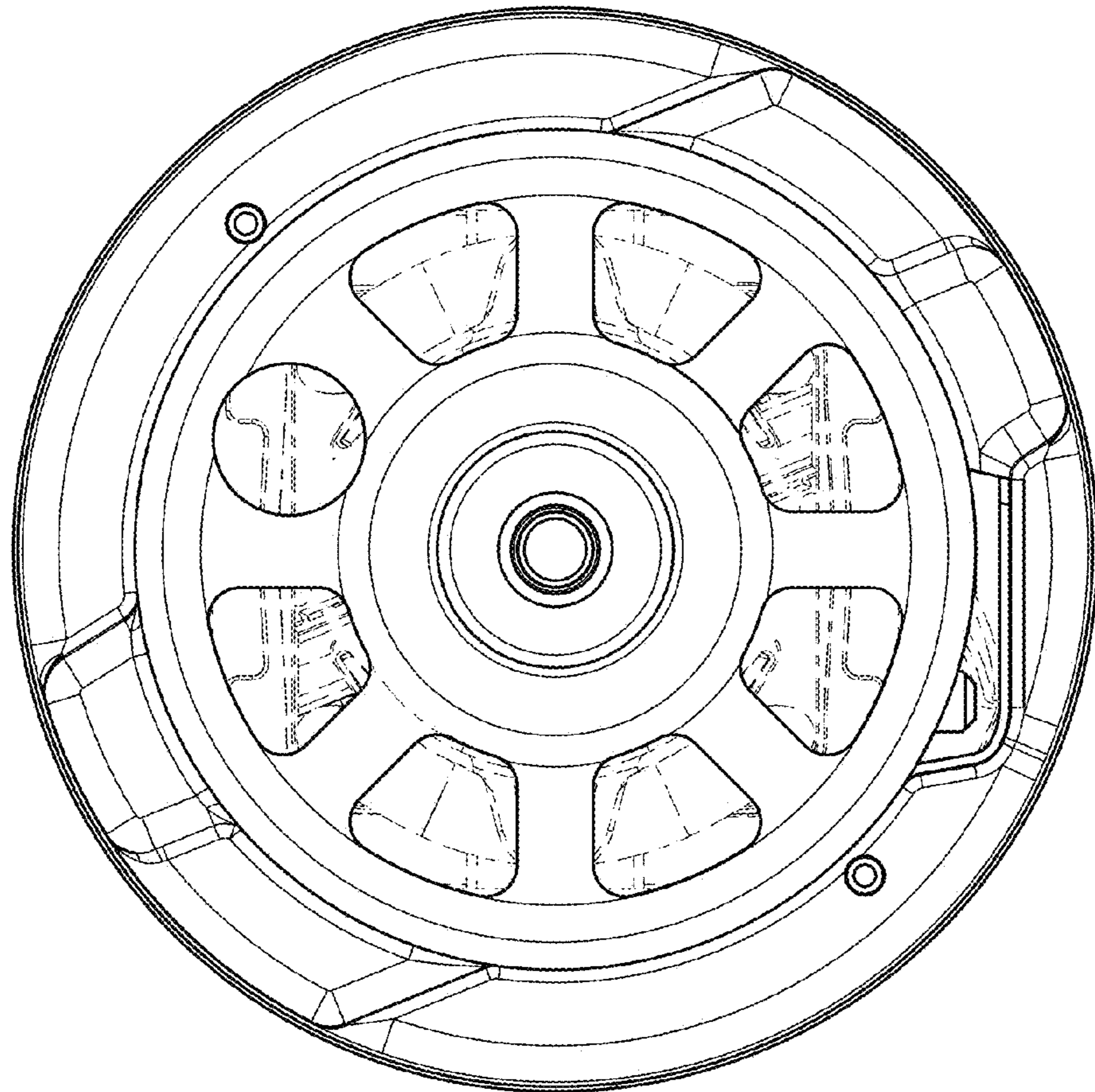


FIG. 3

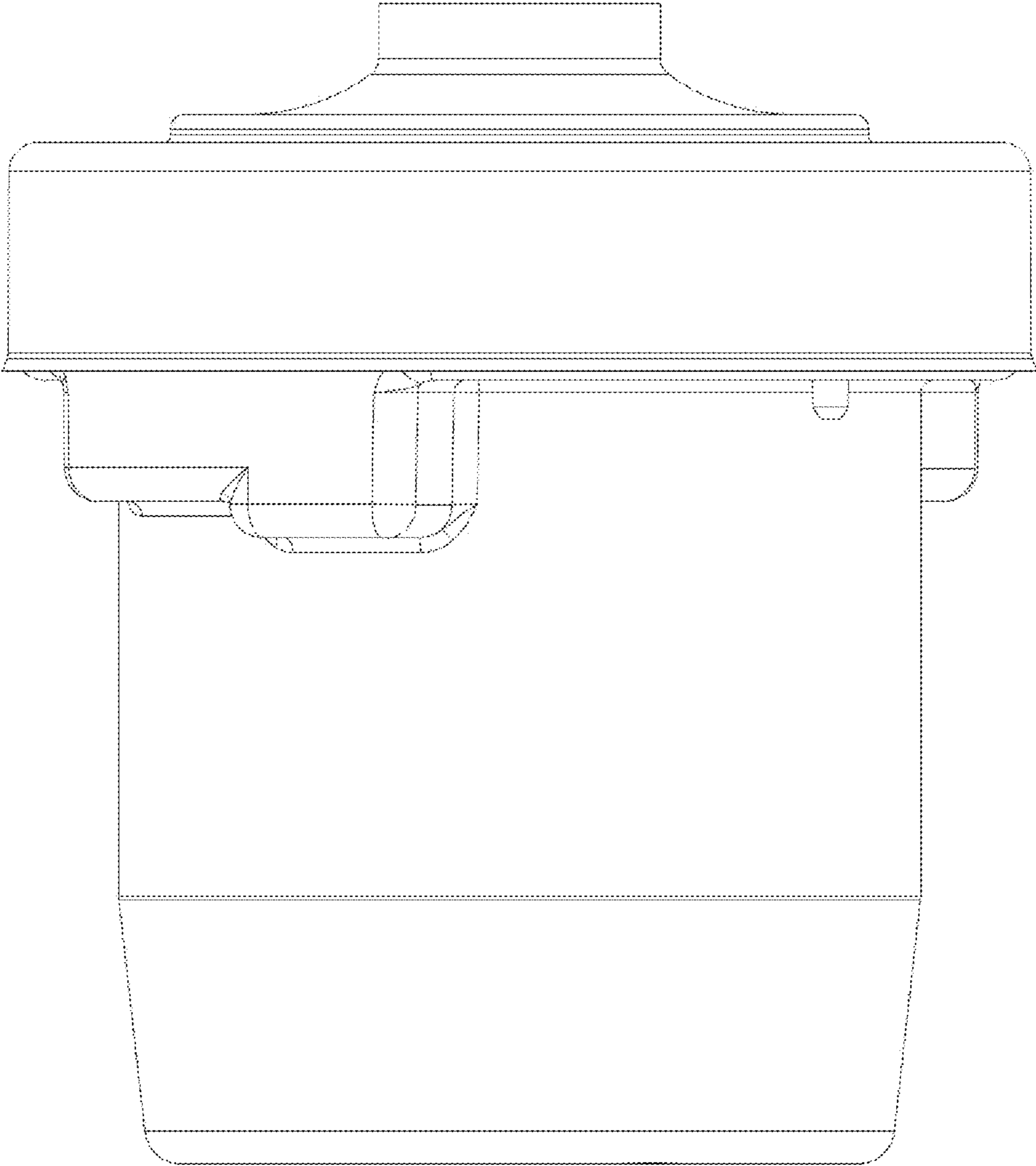


FIG. 4

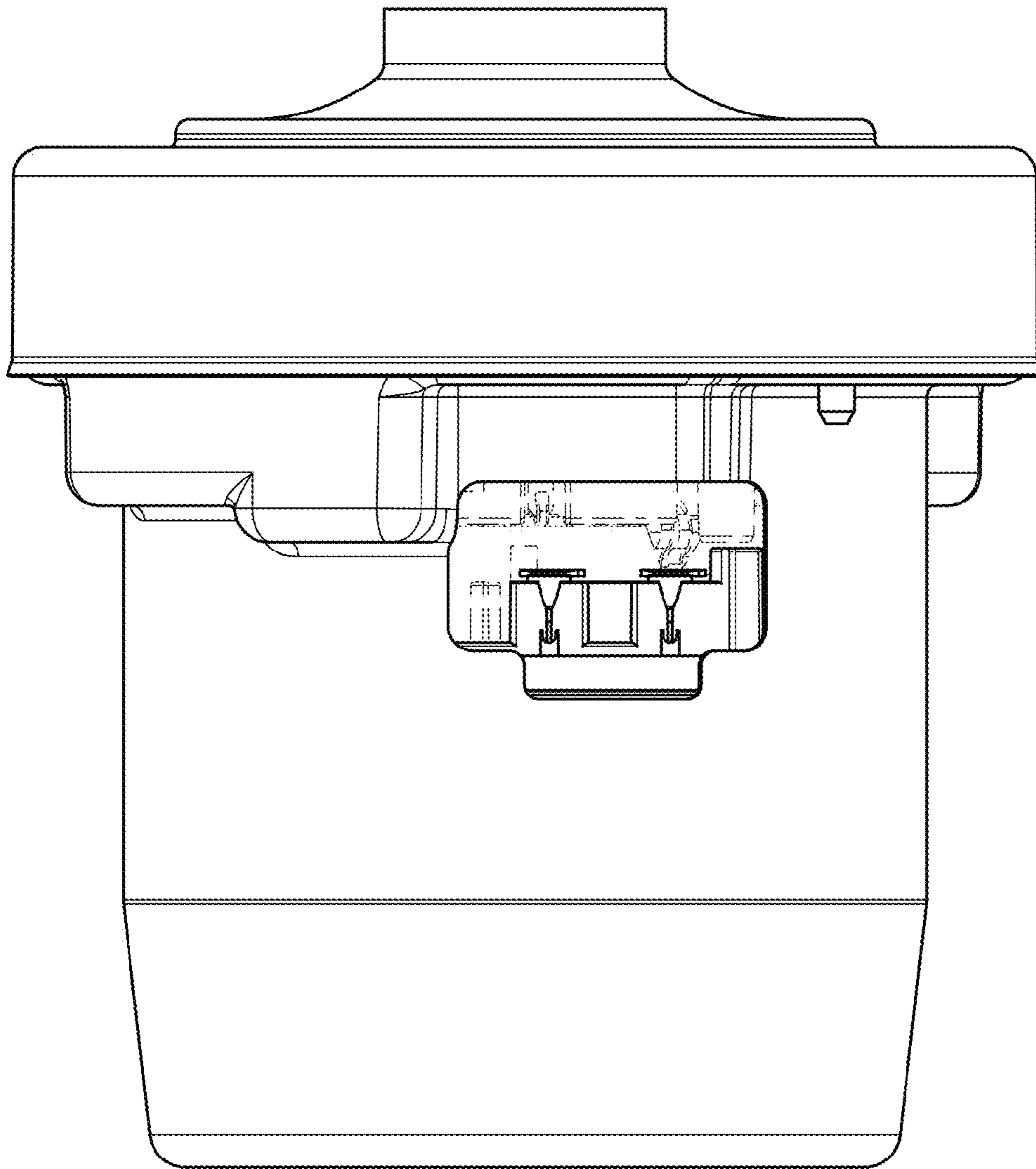


FIG. 5

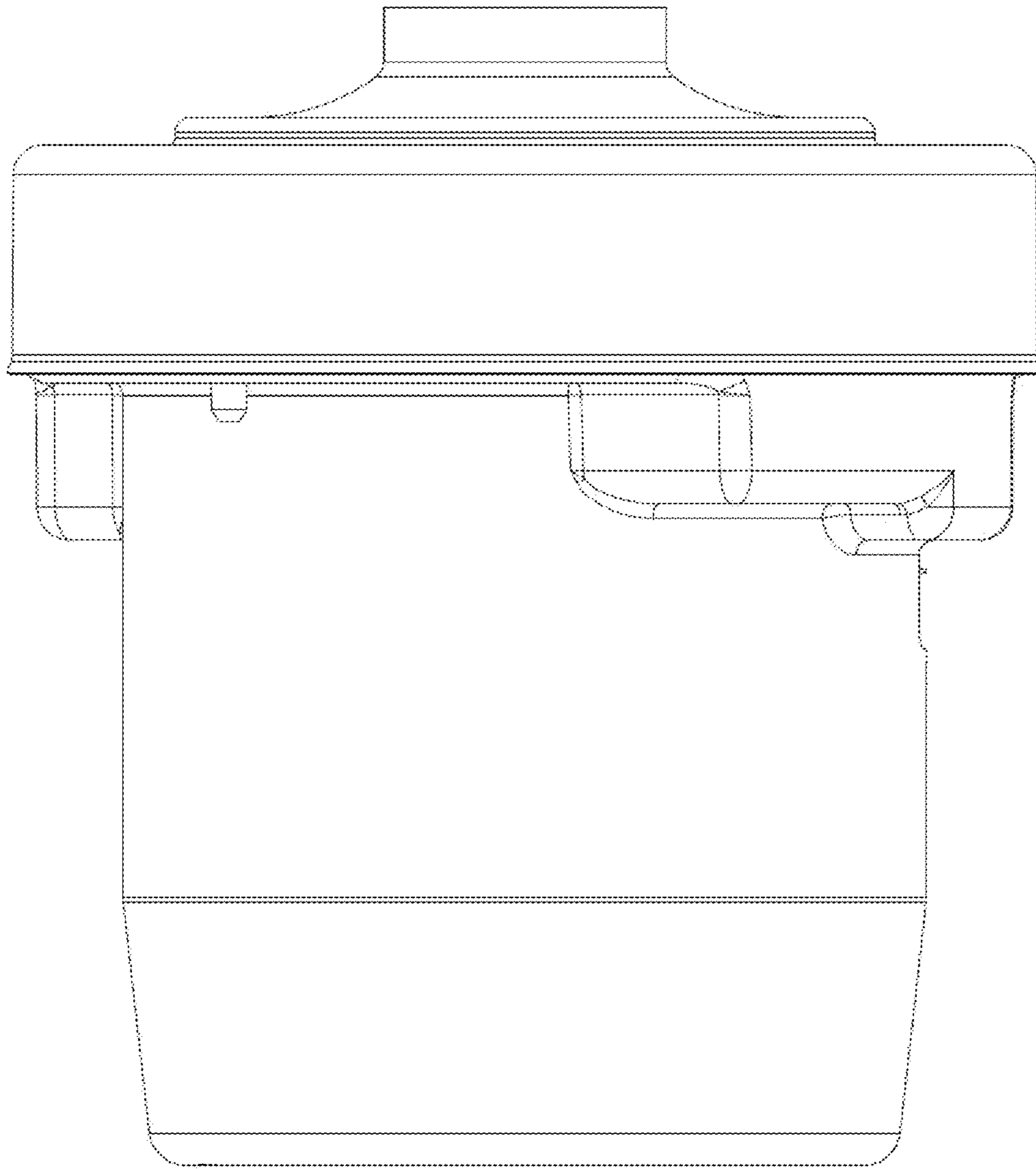


FIG. 6

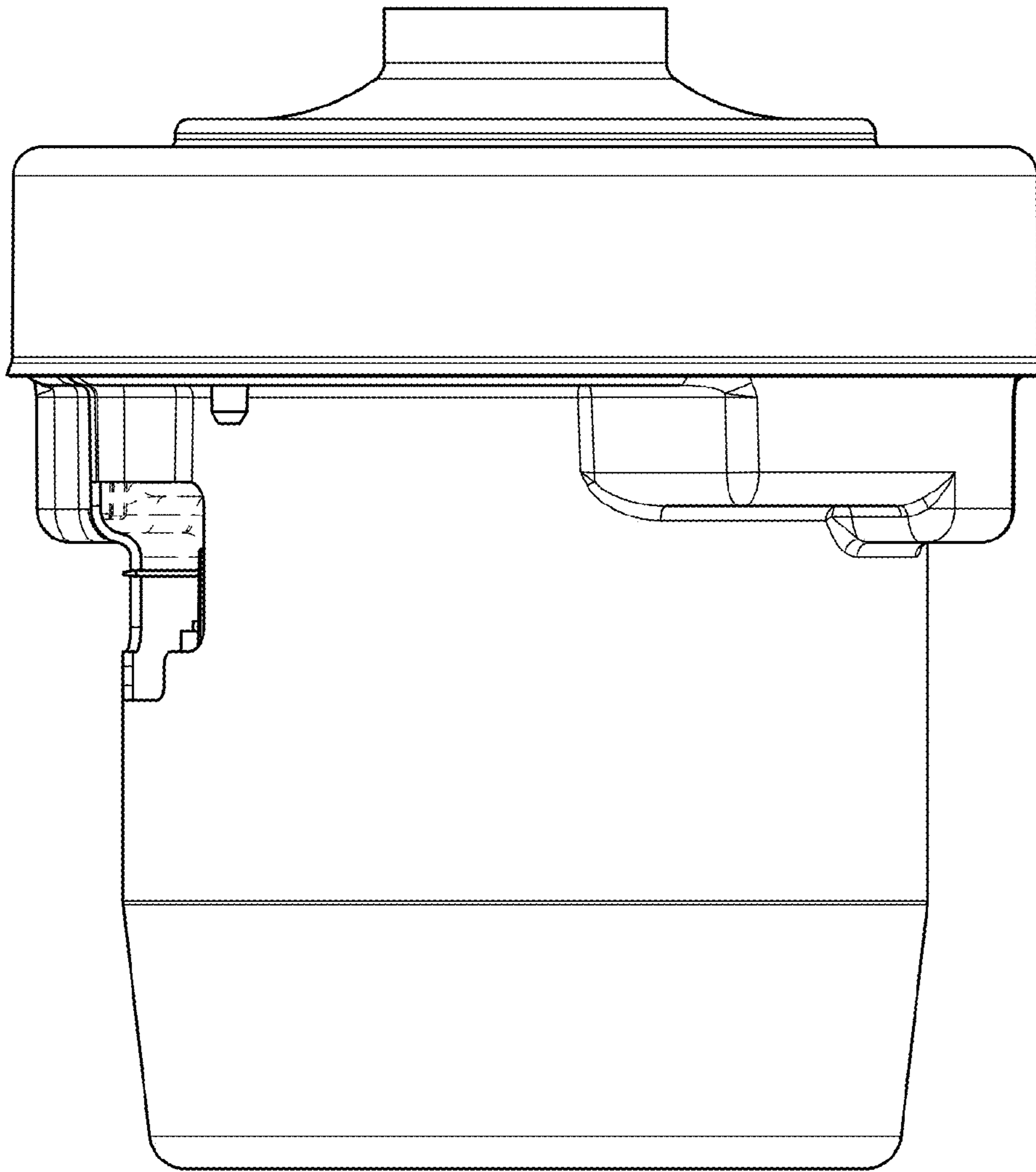


FIG. 7