



US00D738479S

(12) **United States Design Patent**
Storey et al.

(10) **Patent No.:** **US D738,479 S**

(45) **Date of Patent:** **** Sep. 8, 2015**

(54) **ESSENTIAL OIL EVAPORATOR**

(56) **References Cited**

(71) Applicant: **OGLESBY & BUTLER LIMITED,**
Carlow (IE)

U.S. PATENT DOCUMENTS

(72) Inventors: **John Joseph Storey,** Portlaoise (IE);
Jacqueline Oglesby, Carlow (IE);
Rachel Samantha Purcell, Carlow (IE)

4,849,606	A	*	7/1989	Martens et al.	392/390
D332,138	S	*	12/1992	Lonker et al.	D23/366
D373,822	S	*	9/1996	Leonard et al.	D23/366
D484,583	S	*	12/2003	Hunt et al.	D23/360
D508,285	S	*	8/2005	Velicescu	D23/366
7,188,780	B2	*	3/2007	Martens, III	239/35
7,213,770	B2	*	5/2007	Martens et al.	239/57
D650,891	S	*	12/2011	Freeborn et al.	D23/366
D675,307	S	*	1/2013	Freeborn et al.	D23/366

(73) Assignee: **Oglesby & Butler Limited,** Carlow (IE)

* cited by examiner

(**) Term: **14 Years**

Primary Examiner — Sandra Snapp

(21) Appl. No.: **29/488,305**

(74) *Attorney, Agent, or Firm* — Sughrue Mion, PLLC

(22) Filed: **Apr. 17, 2014**

(57) **CLAIM**

The ornamental design for an essential oil evaporator, as shown and described.

(30) **Foreign Application Priority Data**

DESCRIPTION

Oct. 18, 2013 (EM) 001387252

(51) **LOC (10) Cl.** **28-99**

(52) **U.S. Cl.**
USPC **D23/366**

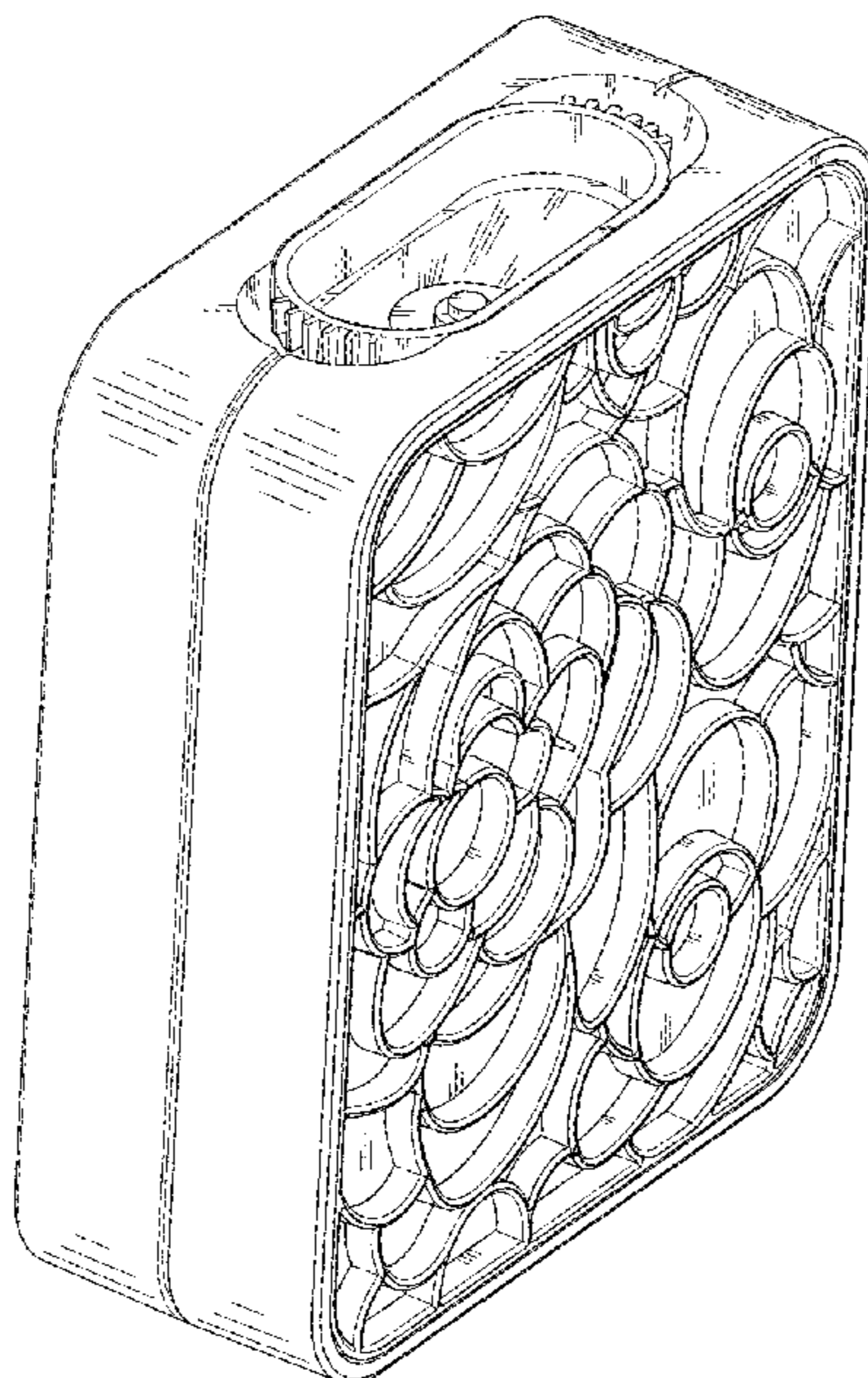
(58) **Field of Classification Search**
USPC D23/355–369; D28/5, 6; 261/DIG. 17,
261/DIG. 42, DIG. 65, DIG. 88, DIG. 89;
392/386, 390, 394, 395; 239/34, 44,
239/53, 55, 56, 326; D26/14, 17, 98, 9, 22,
D26/24; D11/131.1; D7/509, 522, 524, 537
CPC A61L 9/00; A61L 9/02; A61L 9/03;
A61L 9/032; A61L 9/035; A61L 9/037;
A61L 9/04; A61L 9/12; A61L 9/22

FIG. 1 is a perspective view of the essential oil evaporator from the top, one side and one end thereof;
FIG. 2 is a perspective view of the evaporator of FIG. 1 from the top and the other side and end to that of FIG. 1;
FIG. 3 is a front elevational view of the essential oil evaporator of FIG. 1;
FIG. 4 is a rear elevational view of the essential oil evaporator of FIG. 1;
FIG. 5 is an end elevational view of the essential oil evaporator of FIG. 1;
FIG. 6 is an end elevational view of the essential oil evaporator of FIG. 1 from the other end to that of FIG. 5; and,
FIG. 7 is a top plan view of the essential oil evaporator of FIG. 1.

The essential oil evaporator is illustrated in the drawings, in which portions shown in broken line do not form a part of the invention.

See application file for complete search history.

1 Claim, 7 Drawing Sheets



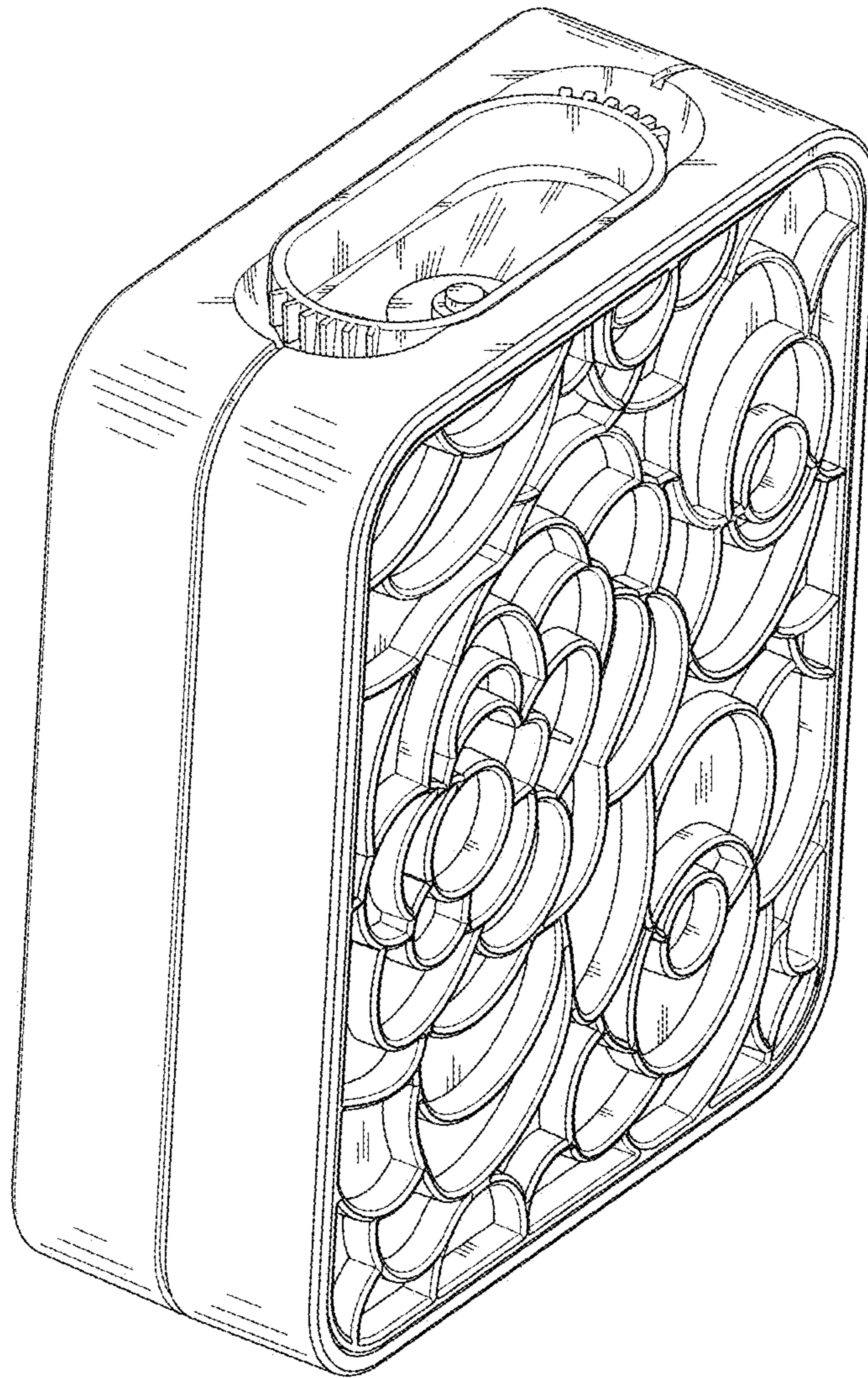


Fig. 1

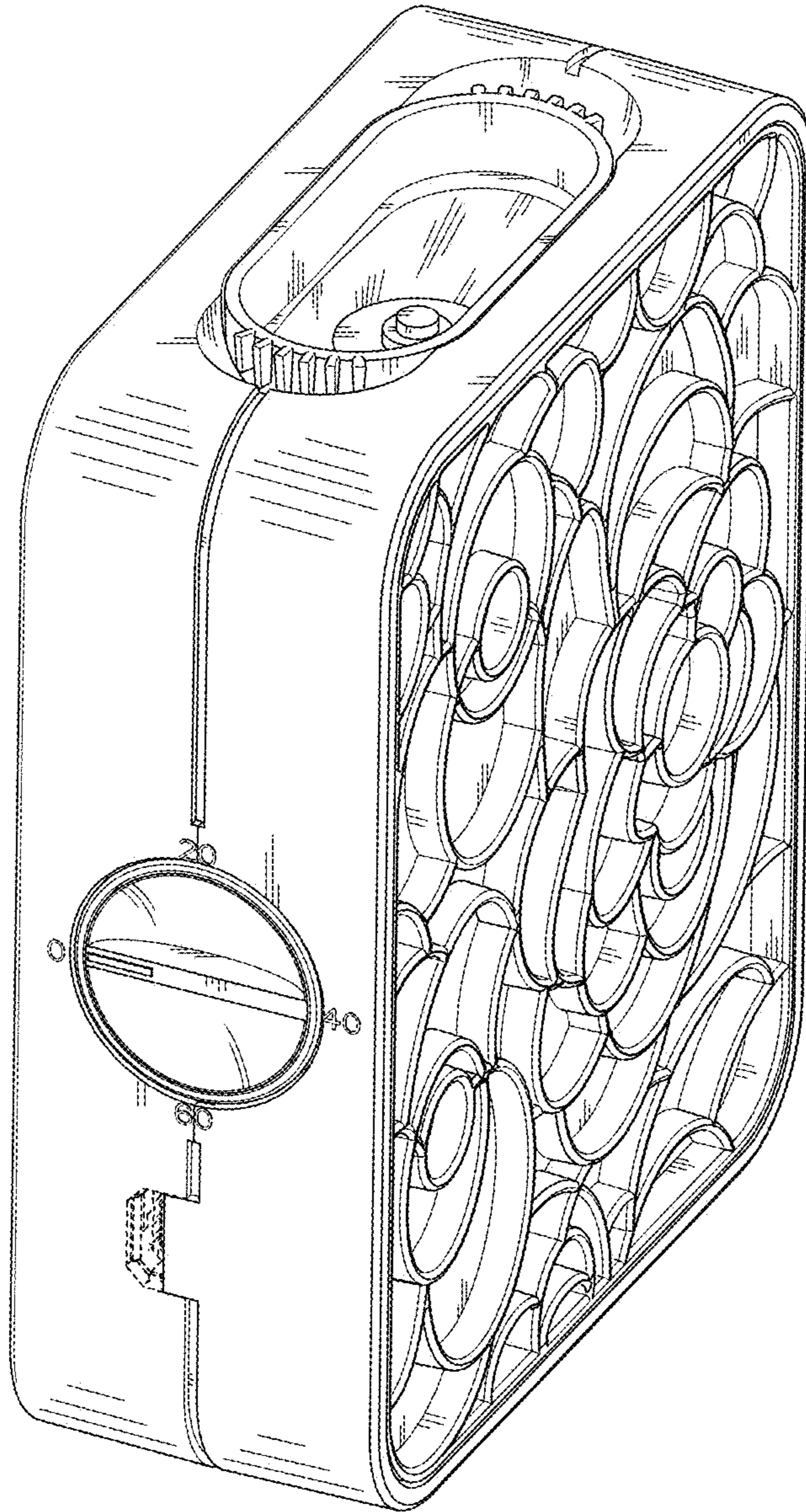


Fig. 2

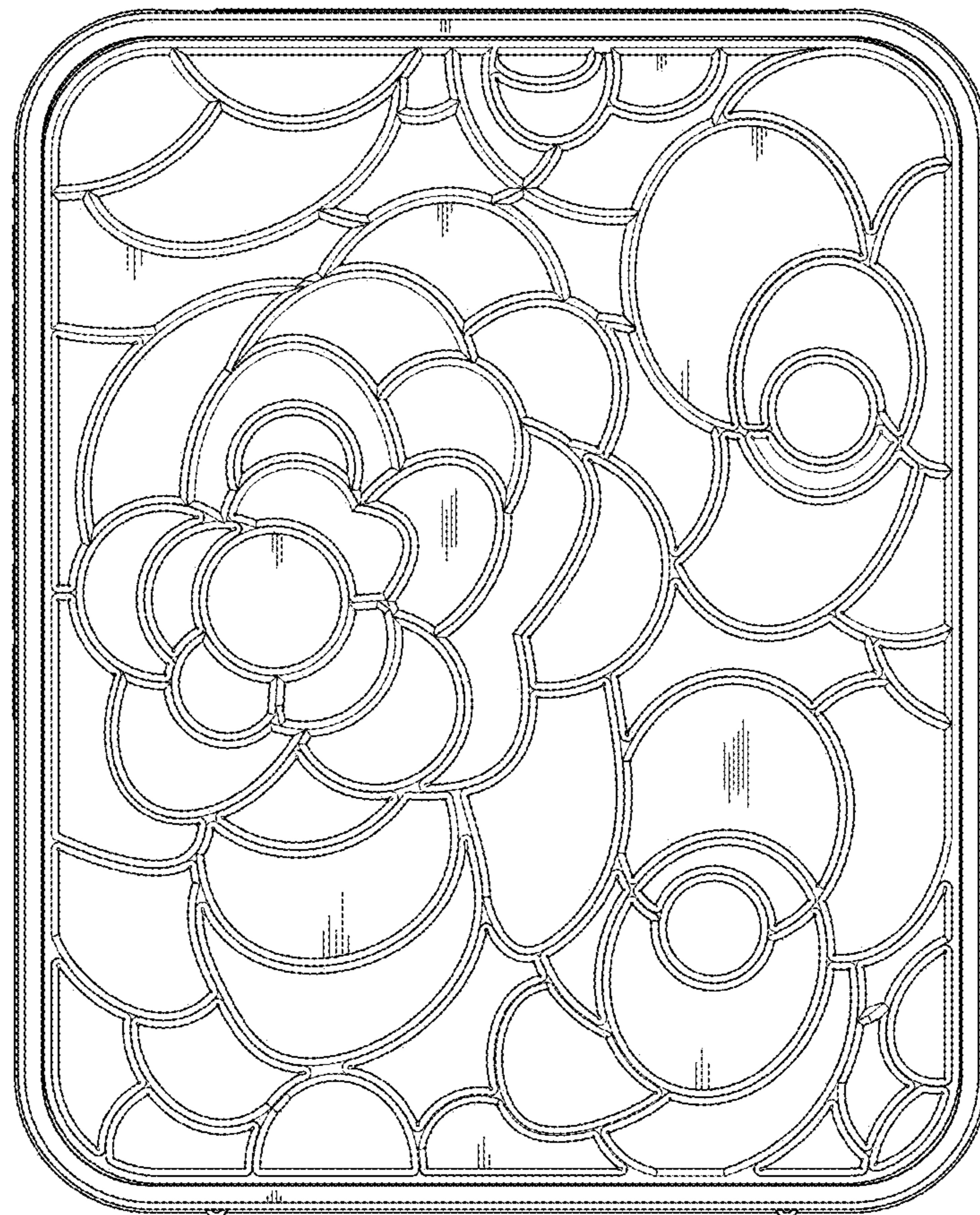


Fig. 3

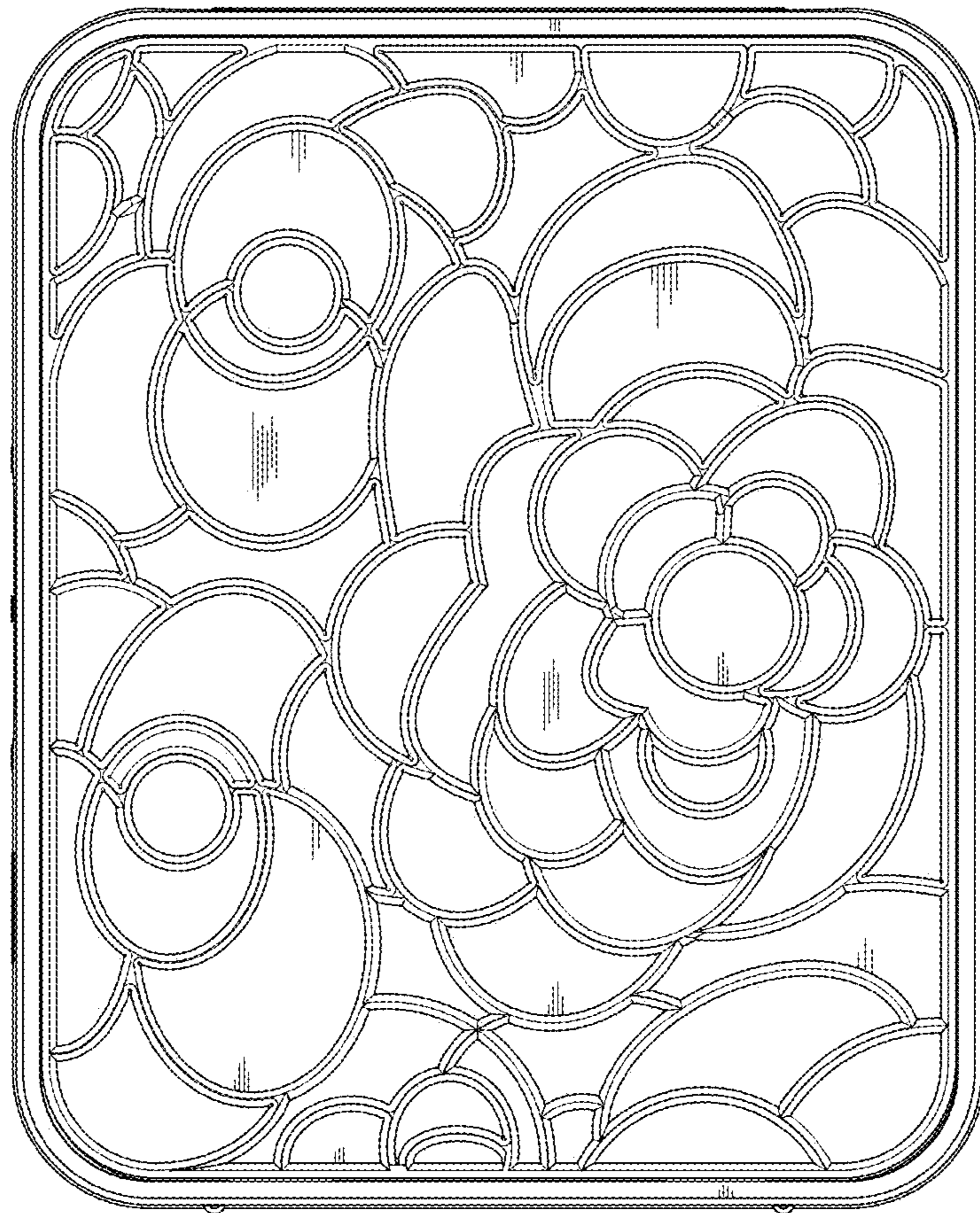


Fig. 4

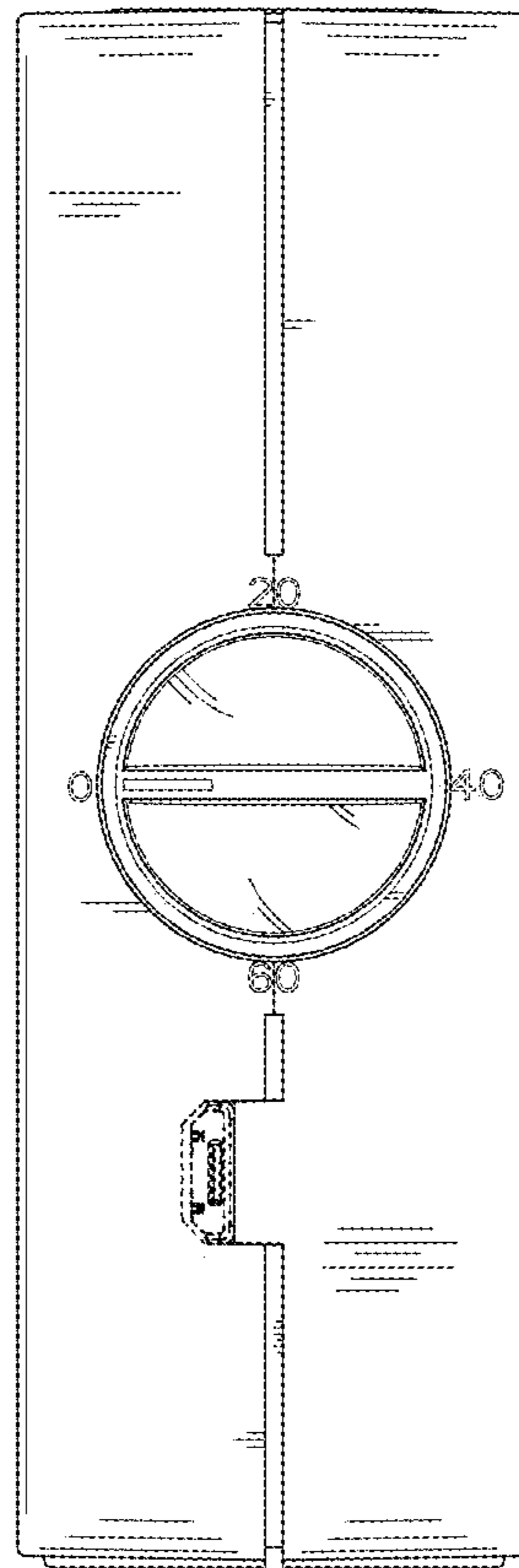


Fig. 5

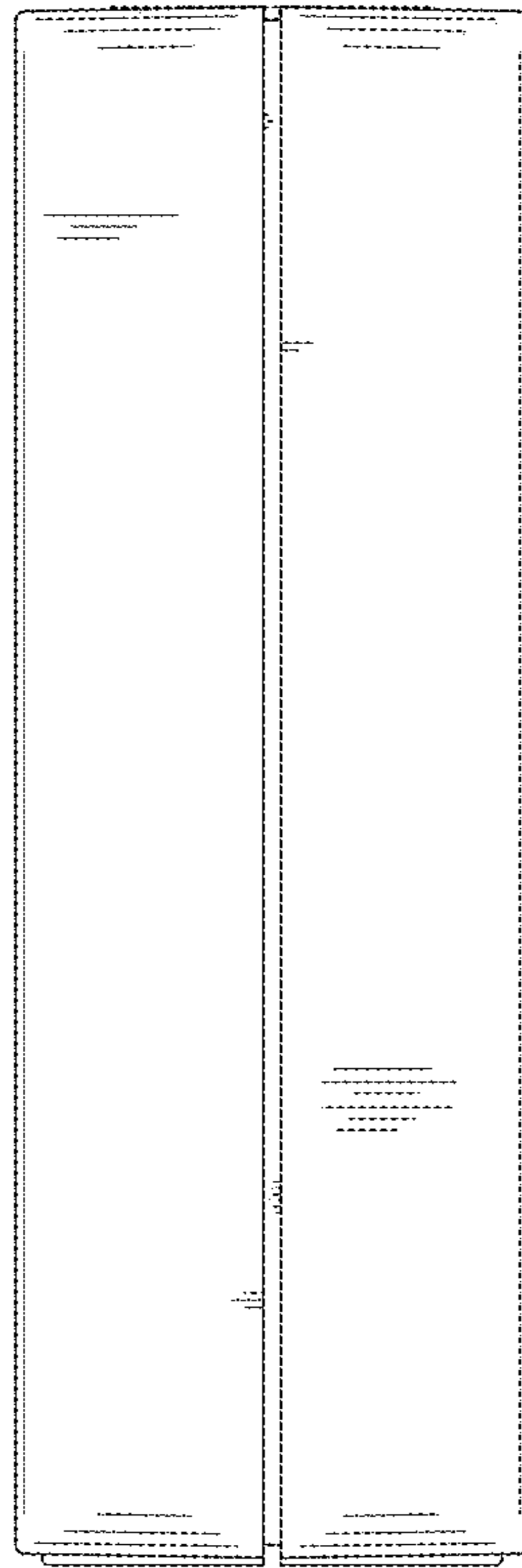


Fig. 6

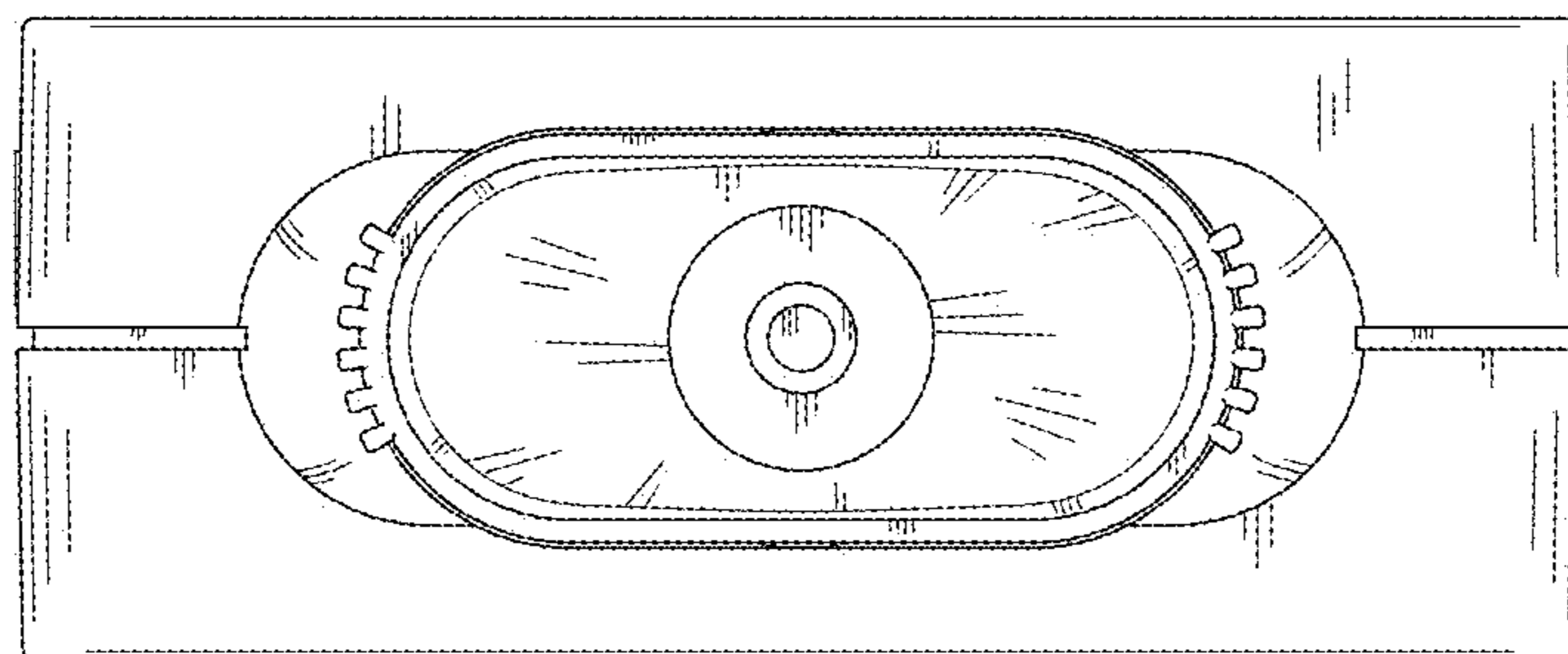


Fig. 7