



US00D738475S

(12) **United States Design Patent**
Cohen et al.

(10) **Patent No.:** **US D738,475 S**
(45) **Date of Patent:** **** Sep. 8, 2015**

(54) **TOILET TRAINING SEAT**

(71) Applicants: **Erica Eden Cohen**, New York, NY (US); **Tucker H. Fort**, Brooklyn, NY (US); **Peter I. Caparo**, San Francisco, CA (US); **Troy H. Phipps**, Brooklyn, NY (US)

(72) Inventors: **Erica Eden Cohen**, New York, NY (US); **Tucker H. Fort**, Brooklyn, NY (US); **Peter I. Caparo**, San Francisco, CA (US); **Troy H. Phipps**, Brooklyn, NY (US)

(73) Assignee: **HELEN OF TROY LIMITED**, St. Michael (BB)

(**) Term: **14 Years**

(21) Appl. No.: **29/489,969**

(22) Filed: **May 5, 2014**

(51) **LOC (10) Cl.** **23-02**

(52) **U.S. Cl.**
USPC **D23/296**

(58) **Field of Classification Search**
USPC D23/296-297, 303, 309, 311-312;
4/902, 237

See application file for complete search history.

(56) **References Cited**

U.S. PATENT DOCUMENTS

D340,512 S * 10/1993 Geneve et al. D23/296
D583,032 S * 12/2008 Lovatt D23/296
D600,786 S * 9/2009 Lovatt D23/296

* cited by examiner

Primary Examiner — Robert Delehanty

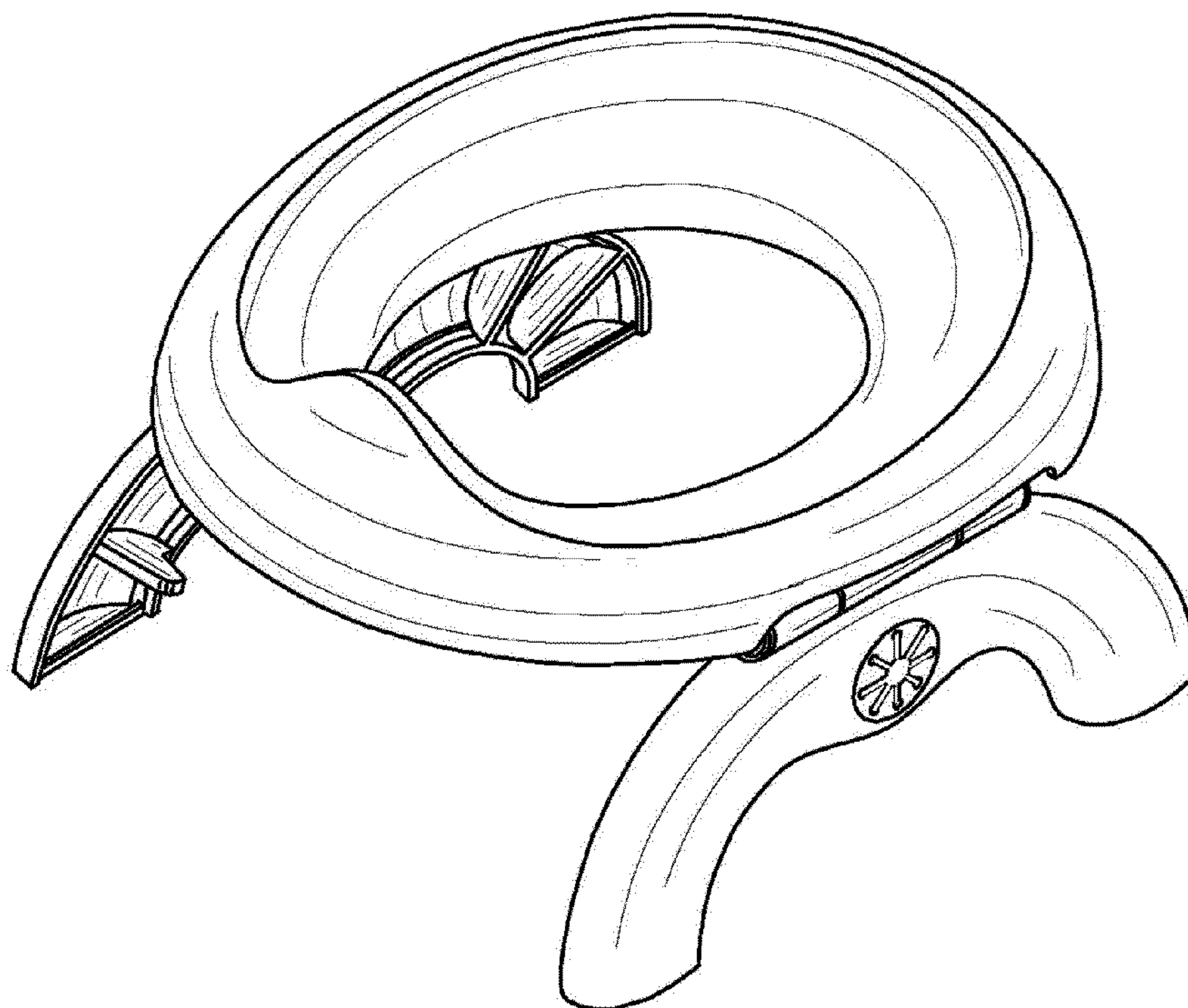
(57) **CLAIM**

The ornamental design for a toilet training seat, as shown, and described.

DESCRIPTION

FIG. 1 is a perspective view of the toilet training seat;
FIG. 2 is a front view of the toilet training seat;
FIG. 3 is a rear view of the toilet training seat;
FIG. 4 is a left side view of the toilet training seat;
FIG. 5 is a right side view of the toilet training seat; and,
FIG. 6 is a top view of the toilet training seat.

1 Claim, 6 Drawing Sheets



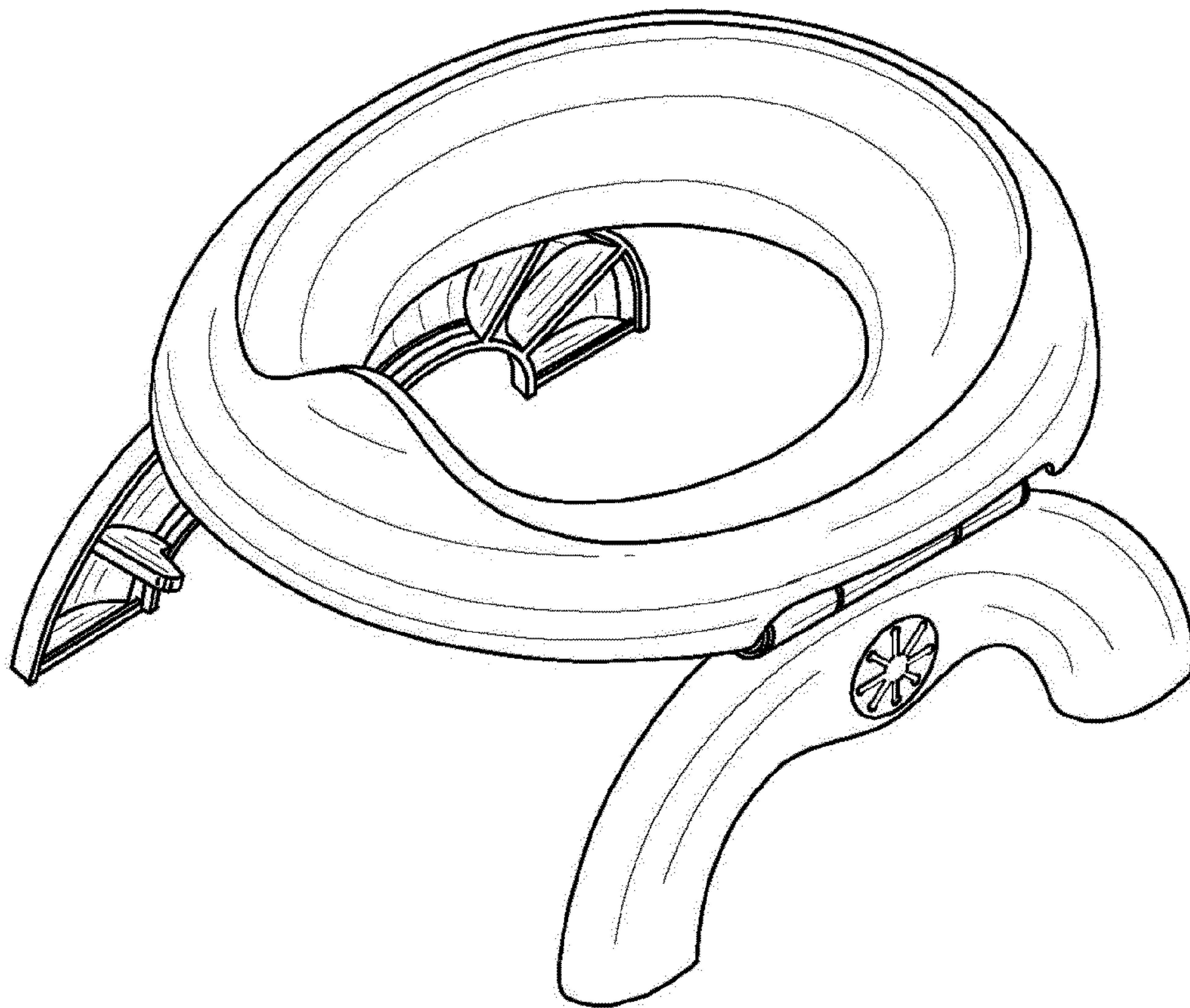


Figure 1

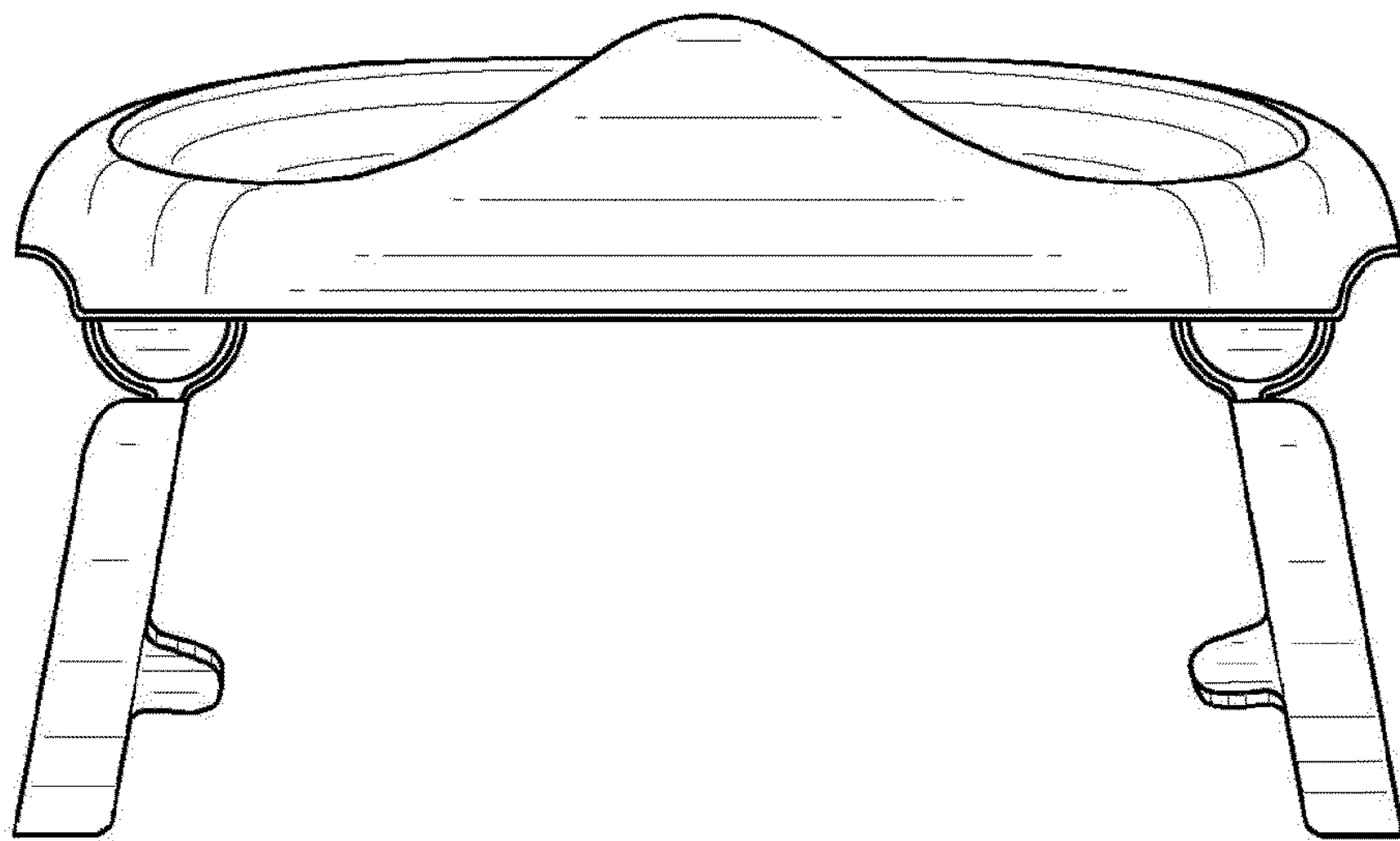


Figure 2

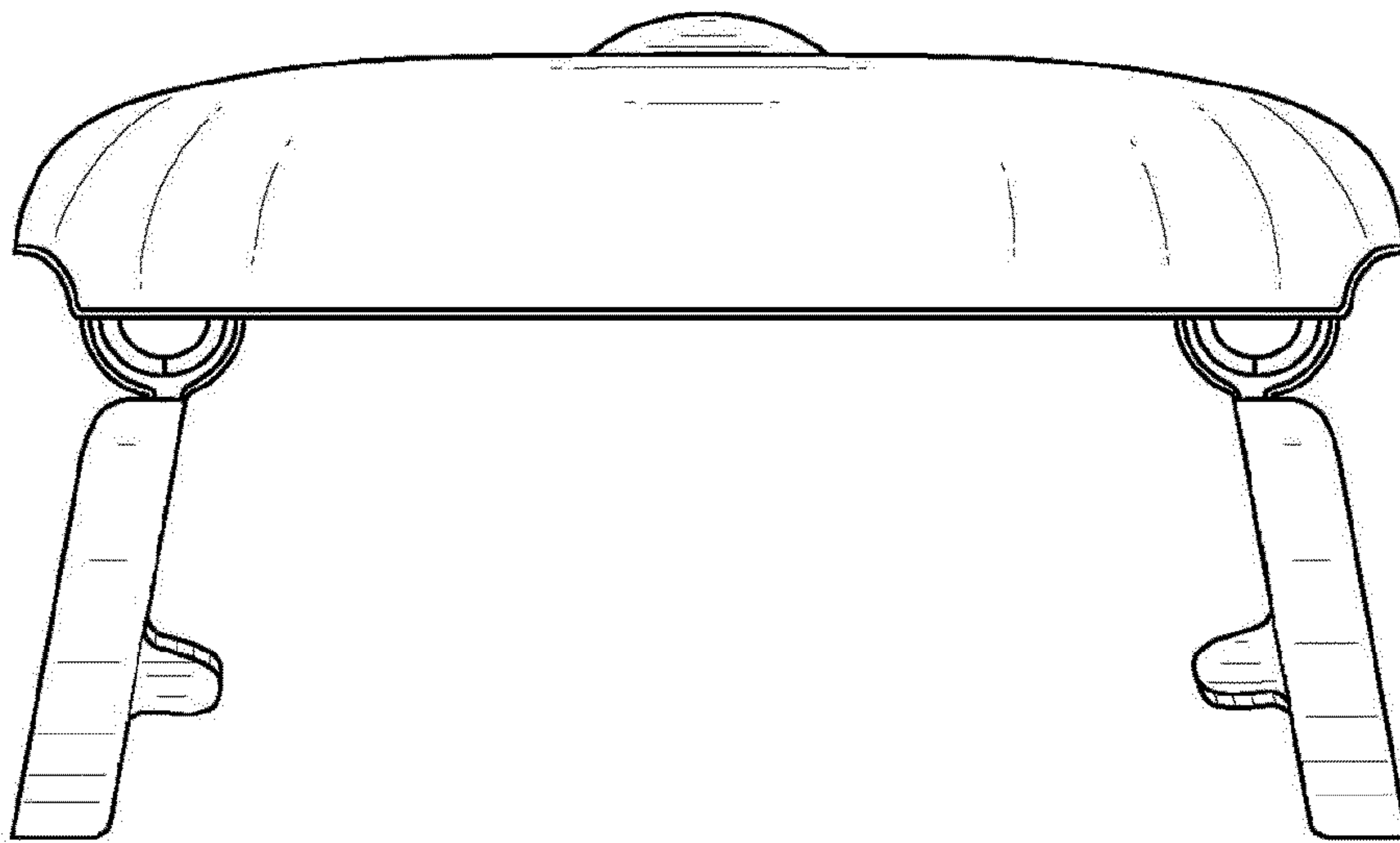


Figure 3

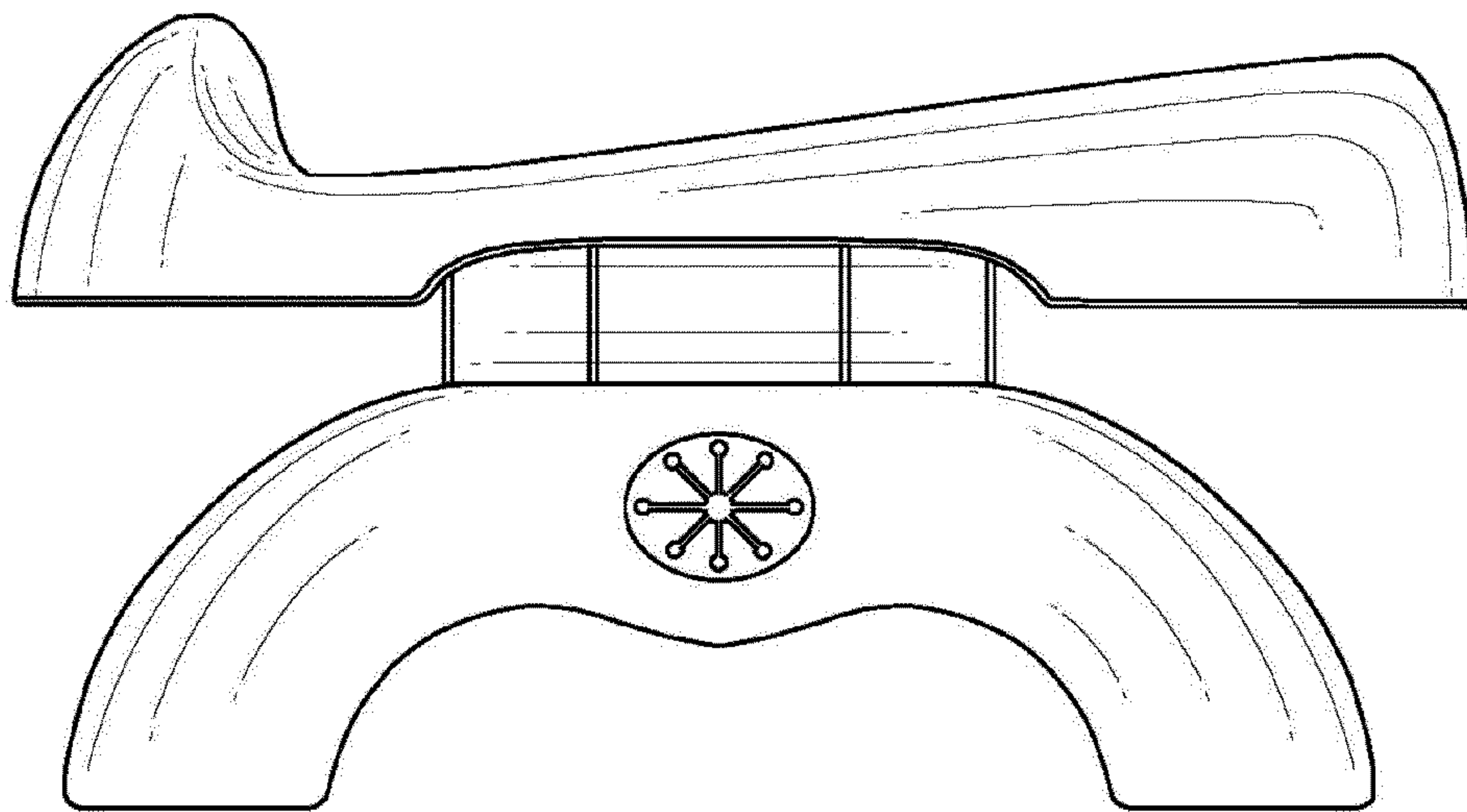


Figure 4

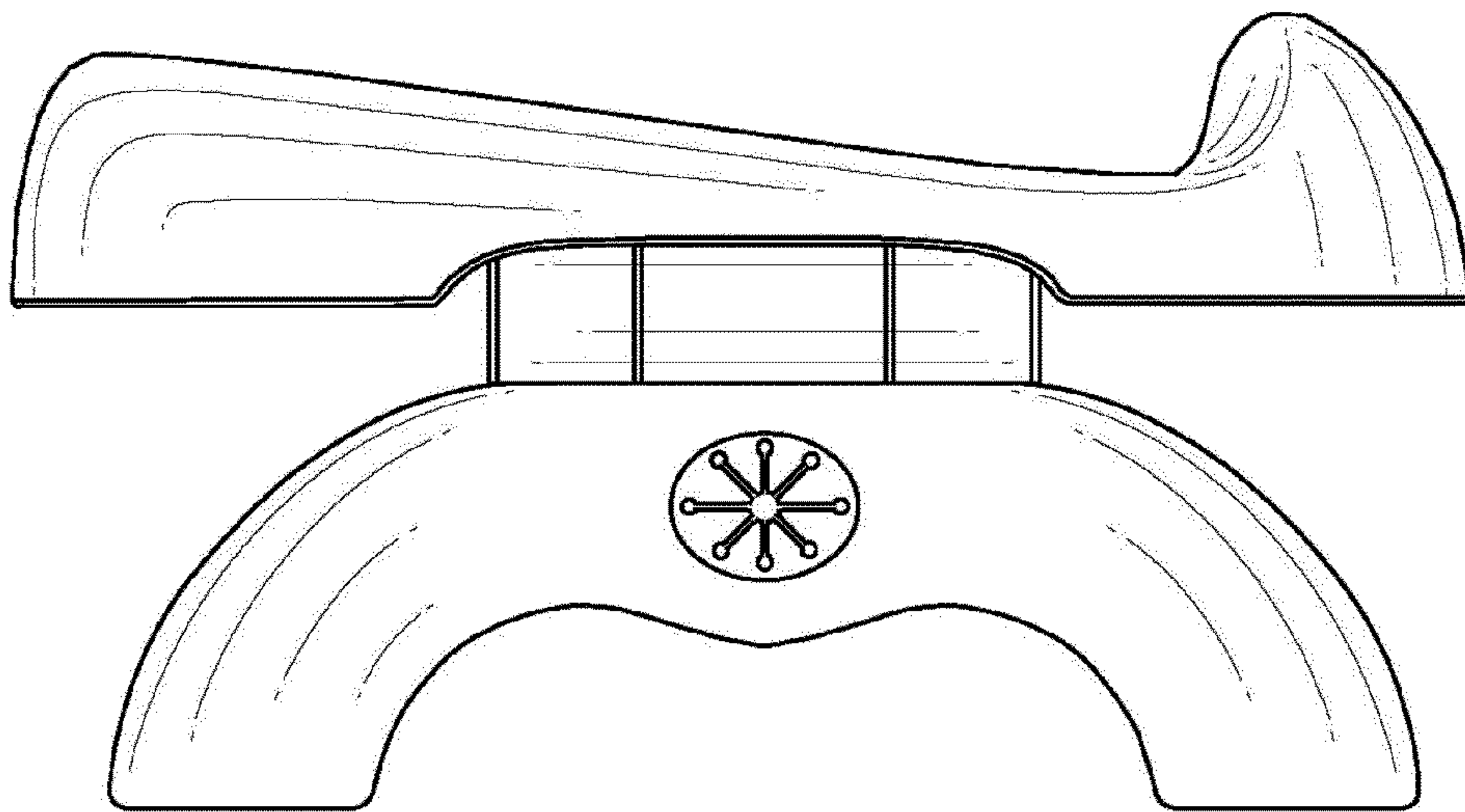


Figure 5

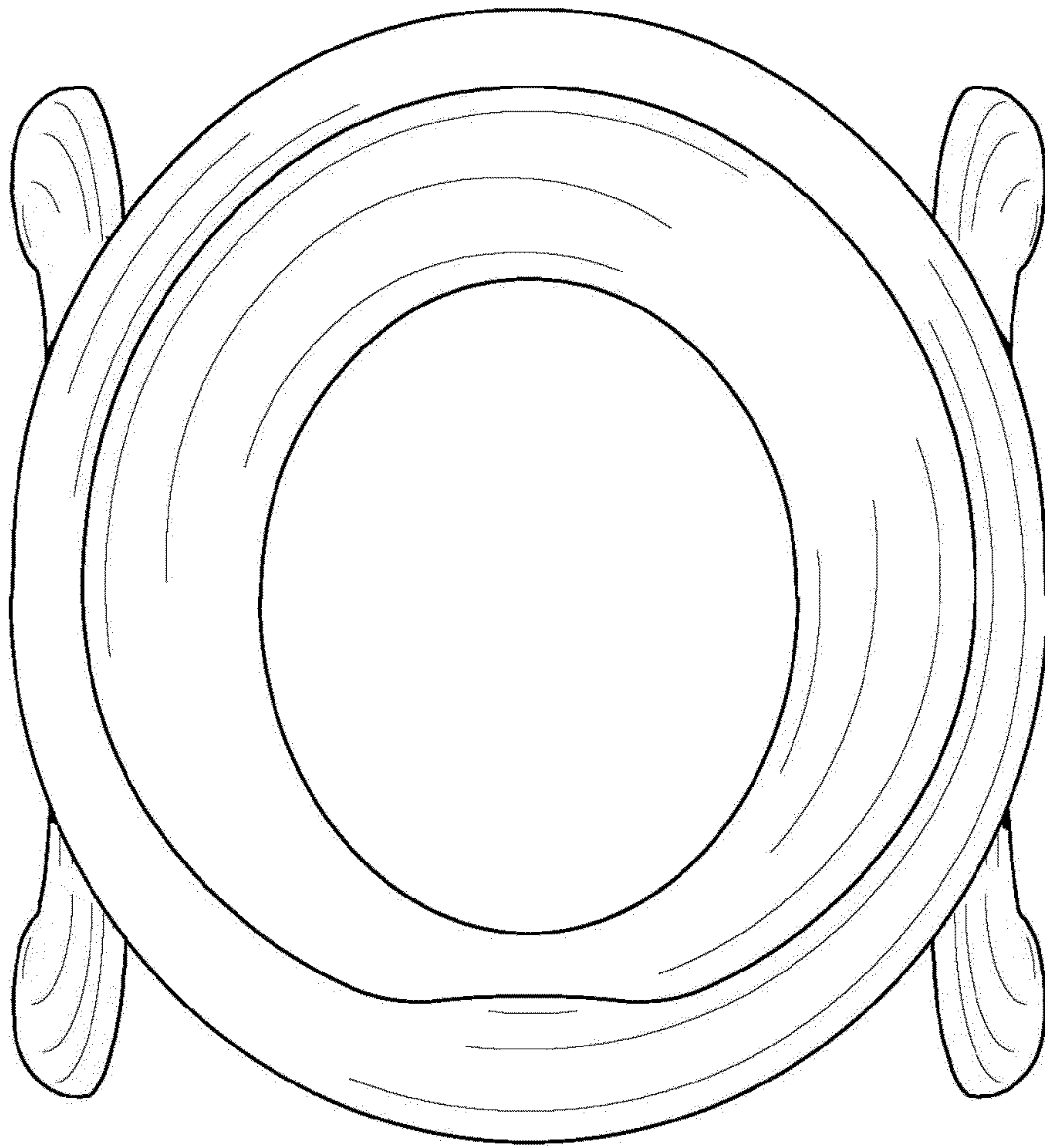


Figure 6