



US00D738469S

(12) **United States Design Patent**
Flowers et al.

(10) **Patent No.:** **US D738,469 S**
(45) **Date of Patent:** **** Sep. 8, 2015**

(54) **SHOWER THERMOSTAT**

(71) Applicant: **Grohe AG**, Hemer (DE)

(72) Inventors: **Paul Flowers**, Duesseldorf (DE); **Hans Lobermeier**, Menden (DE)

(73) Assignee: **Grohe AG**, Hemer (DE)

(**) Term: **14 Years**

(21) Appl. No.: **29/513,696**

(22) Filed: **Jan. 5, 2015**

(30) **Foreign Application Priority Data**

Jul. 3, 2014 (EM) 002495937-0005

(51) **LOC (10) Cl.** **23-01**

(52) **U.S. Cl.**
USPC **D23/254**

(58) **Field of Classification Search**
USPC D23/238–243, 249–250, 252, 254
CPC E03C 1/04; E03C 1/0401; E03C 1/0402;
E03C 1/0404
See application file for complete search history.

(56) **References Cited**

U.S. PATENT DOCUMENTS

D397,770 S * 9/1998 Lobermeier D23/250
D397,771 S * 9/1998 Lobermeier D23/254

D418,582 S * 1/2000 Gottwald et al. D23/254
D421,293 S * 2/2000 Mullenmeister D23/254
D430,923 S * 9/2000 Fleischmann D23/250
D469,514 S * 1/2003 Spangler D23/252
D679,781 S * 4/2013 Flowers et al. D23/250
D700,294 S * 2/2014 Flowers et al. D23/254

* cited by examiner

Primary Examiner — Robert Delehanty

(74) *Attorney, Agent, or Firm* — Muncy, Geissler, Olds & Lowe, P.C.

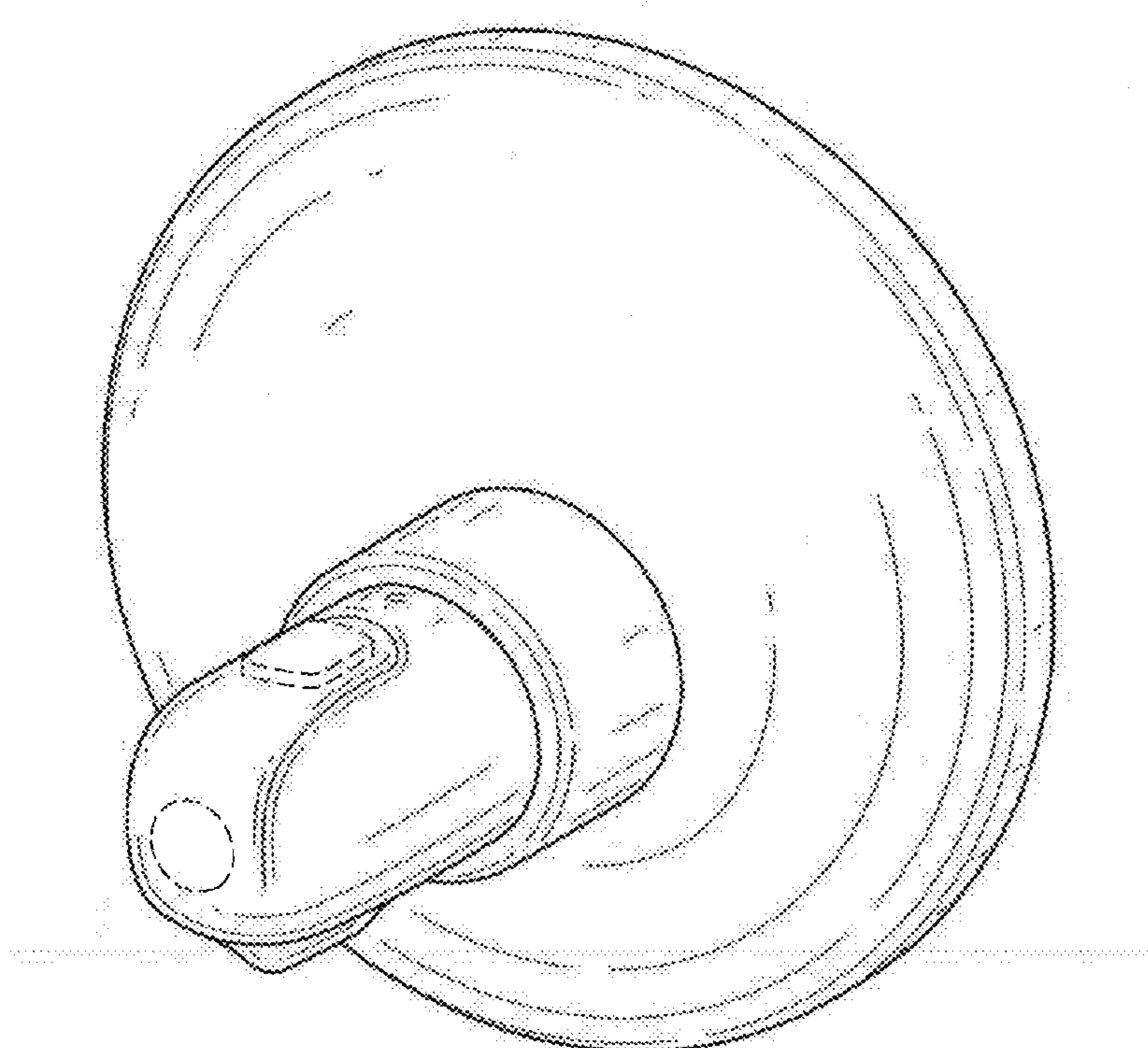
(57) **CLAIM**

The ornamental design for a shower thermostat, as shown and described.

DESCRIPTION

FIG. 1 is a front perspective view of a shower thermostat according to the present invention.
FIG. 2 is a left side view of the shower thermostat of FIG. 1.
FIG. 3 is a right side view of the shower thermostat of FIG. 1.
FIG. 4 is a top view of the shower thermostat of FIG. 1.
FIG. 5 is a bottom view of the shower thermostat of FIG. 1.
FIG. 6 is a front view of the shower thermostat of FIG. 1; and, FIG. 7 is a rear view of the shower thermostat of FIG. 1.
The dashed lines illustrate environment that does not form a part of the present invention, and no claim is made to the material illustrated with dashed lines.

1 Claim, 7 Drawing Sheets



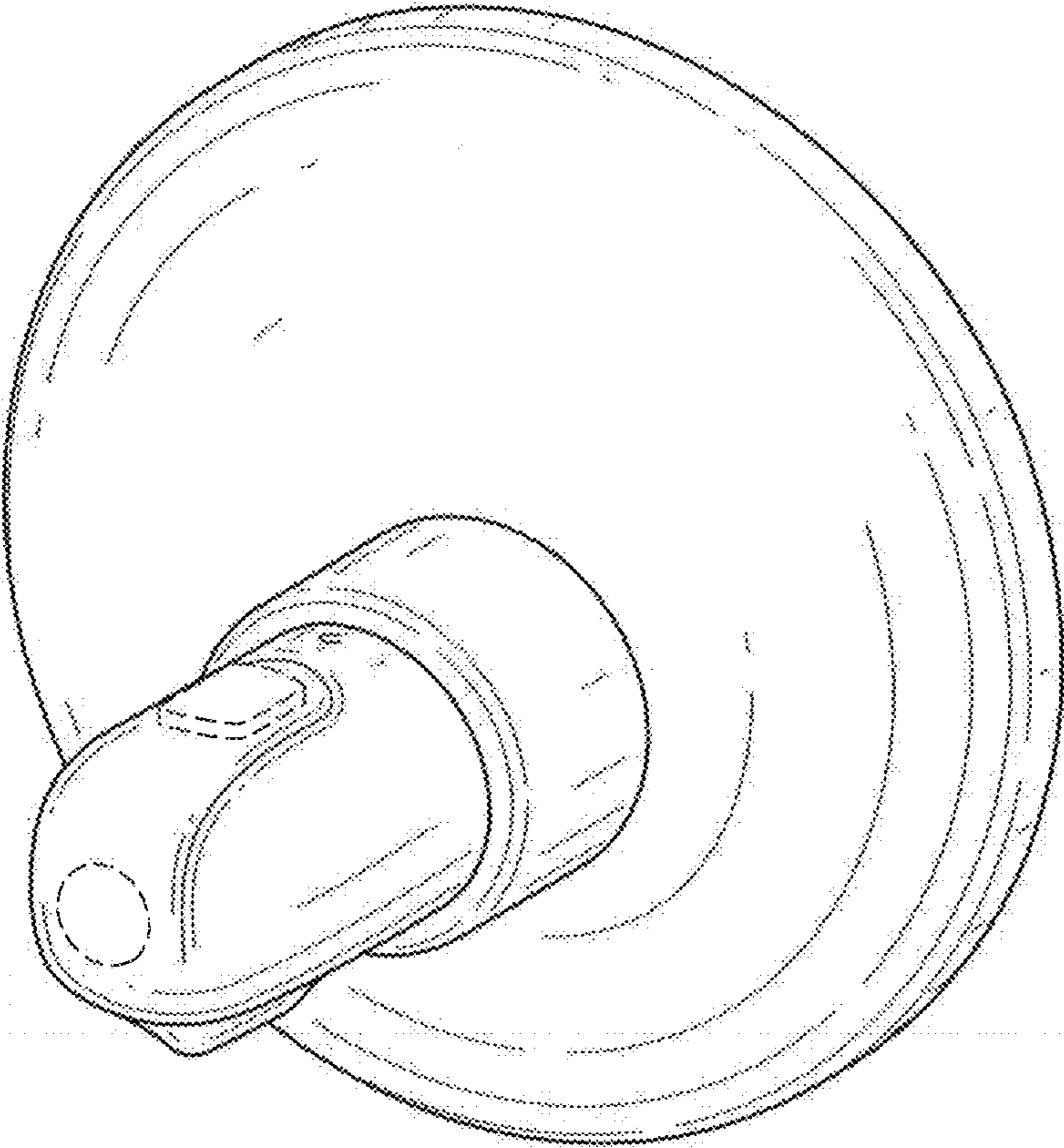


FIG. 1

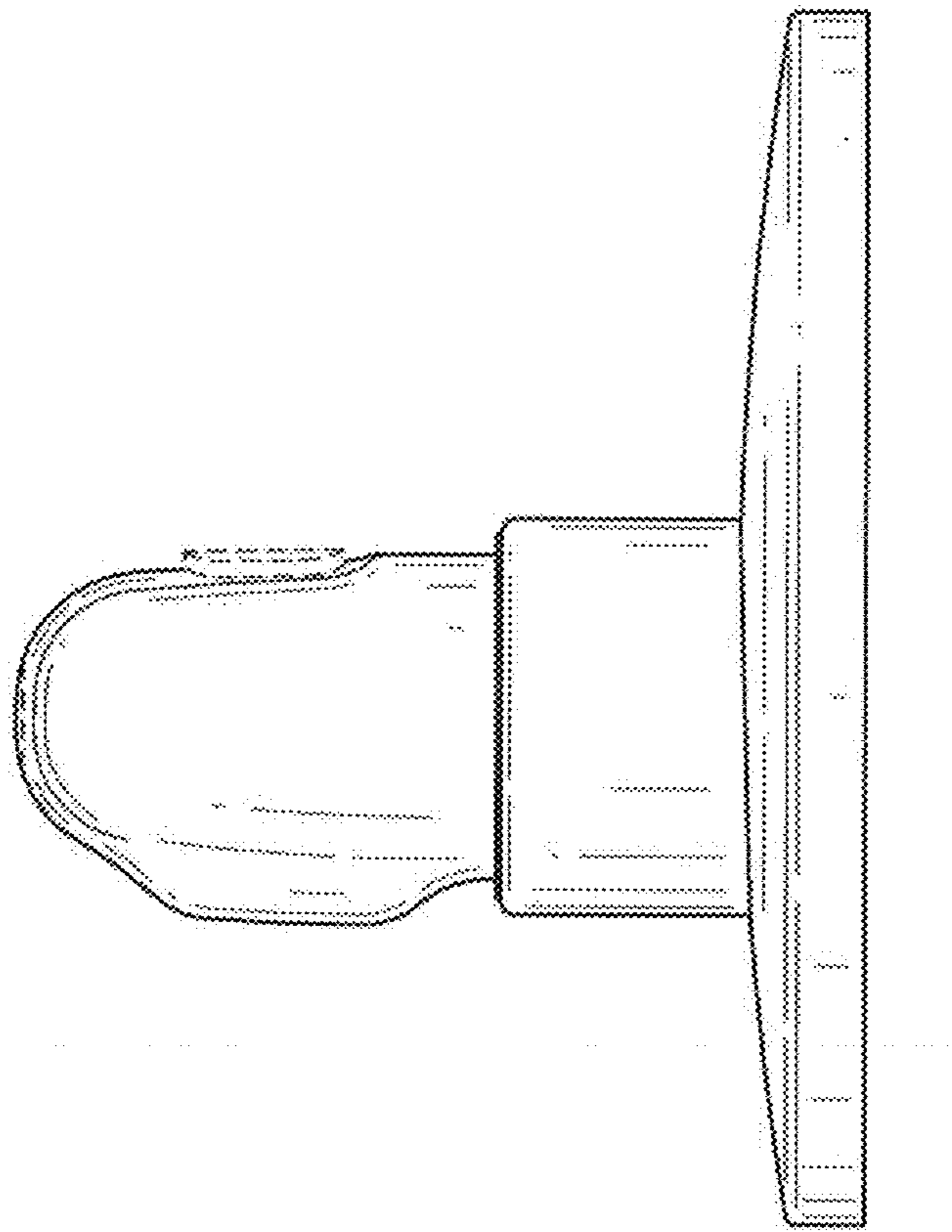


FIG.2

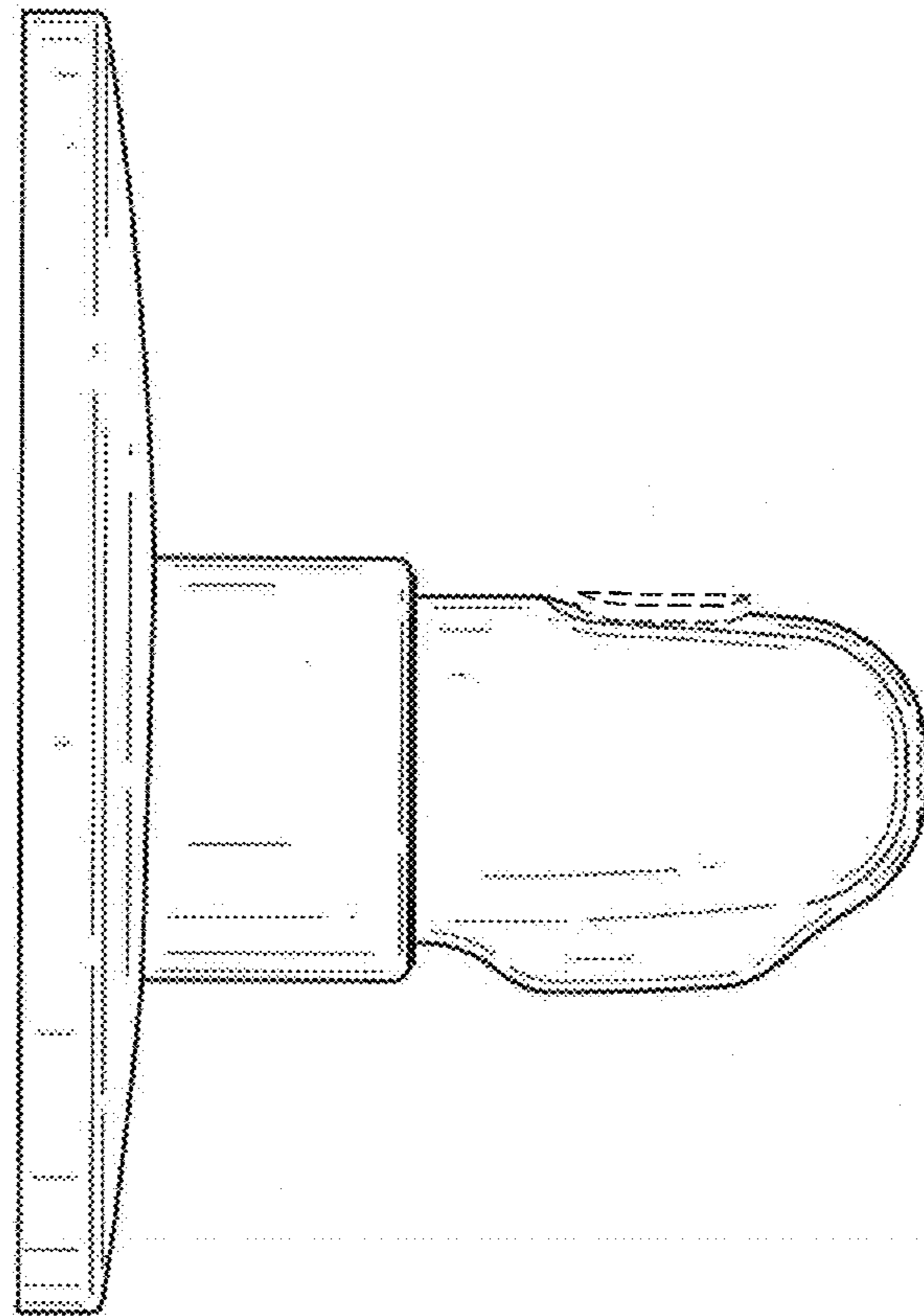


FIG.3

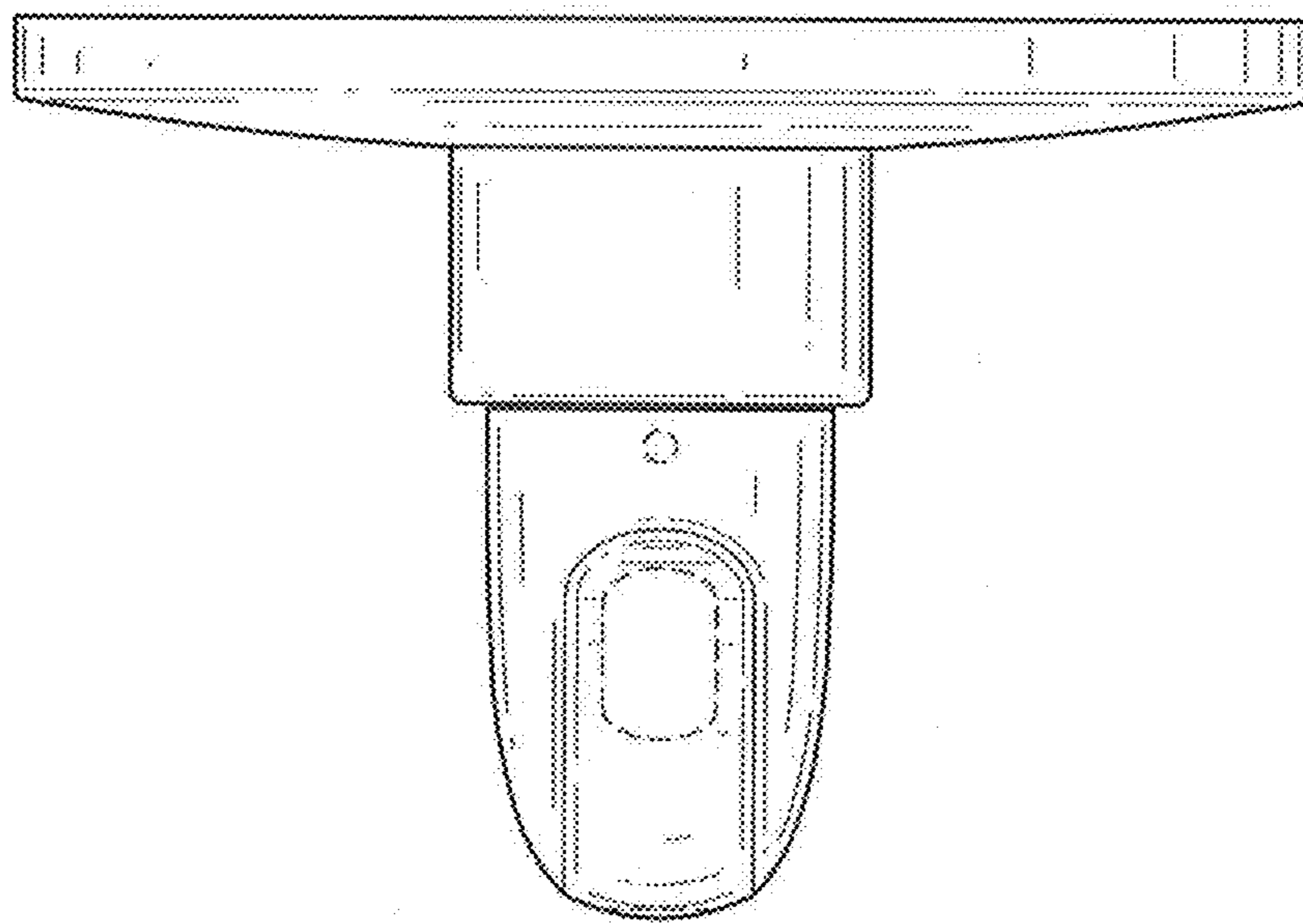


FIG.4

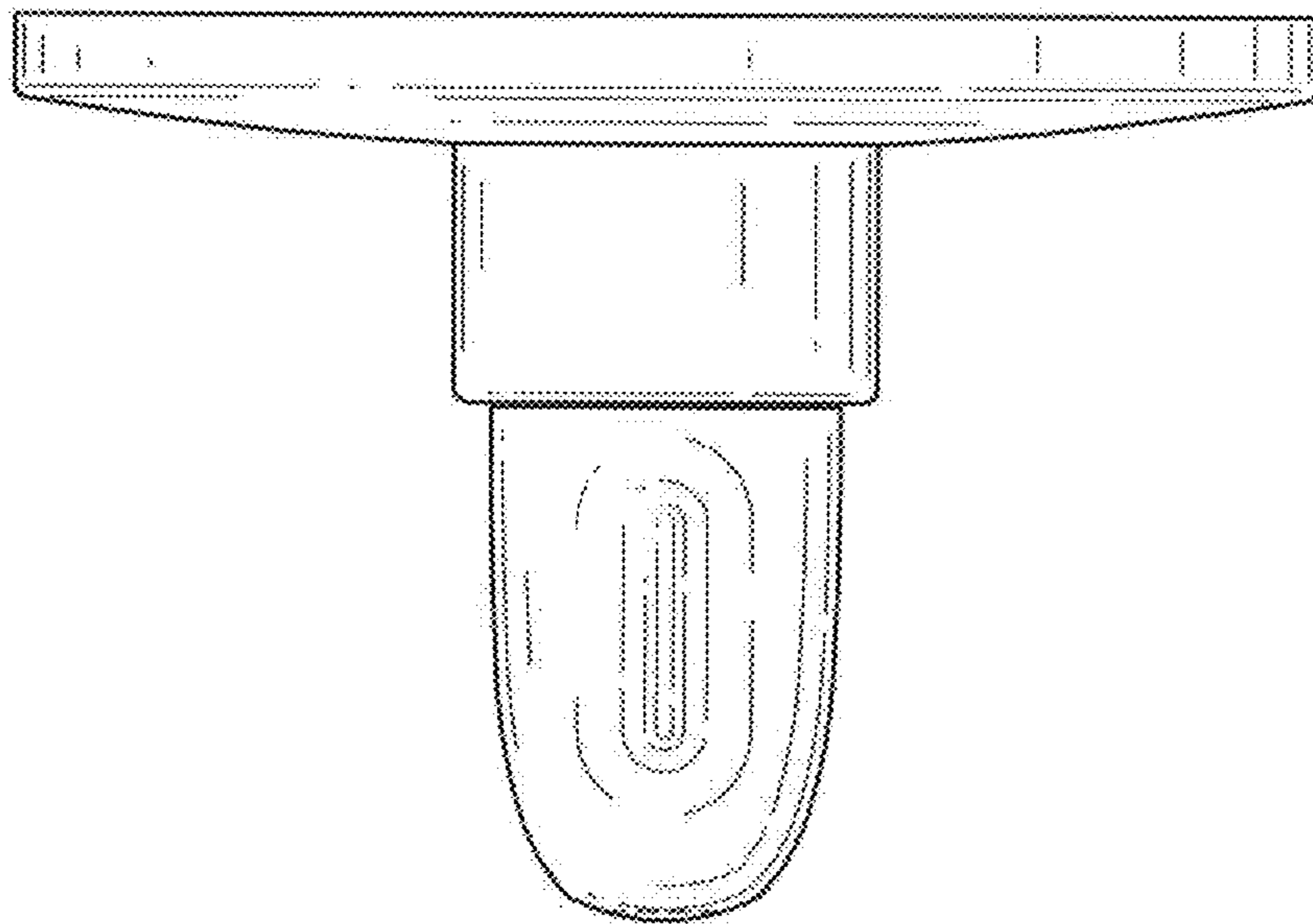


FIG.5

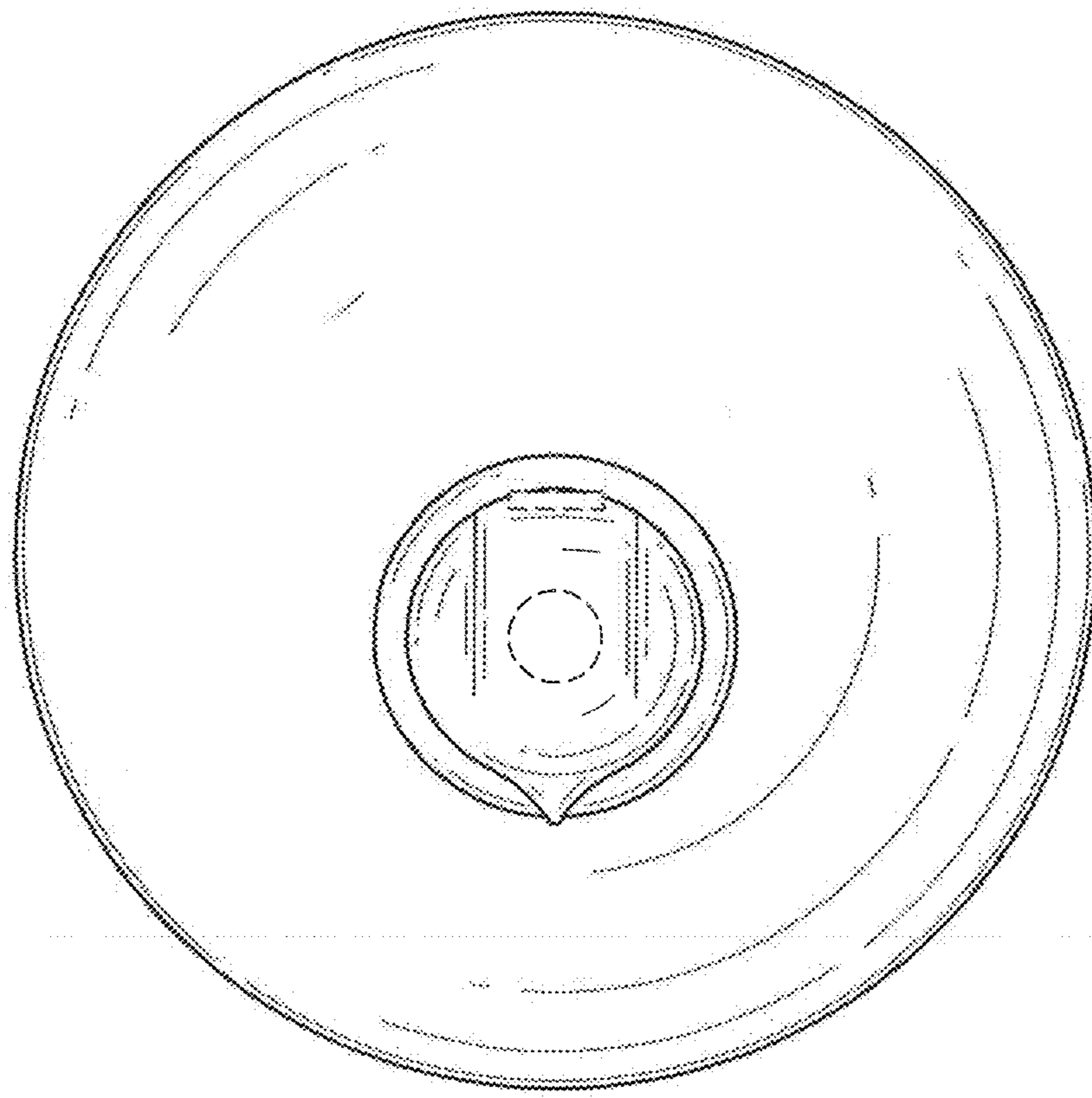


FIG.6

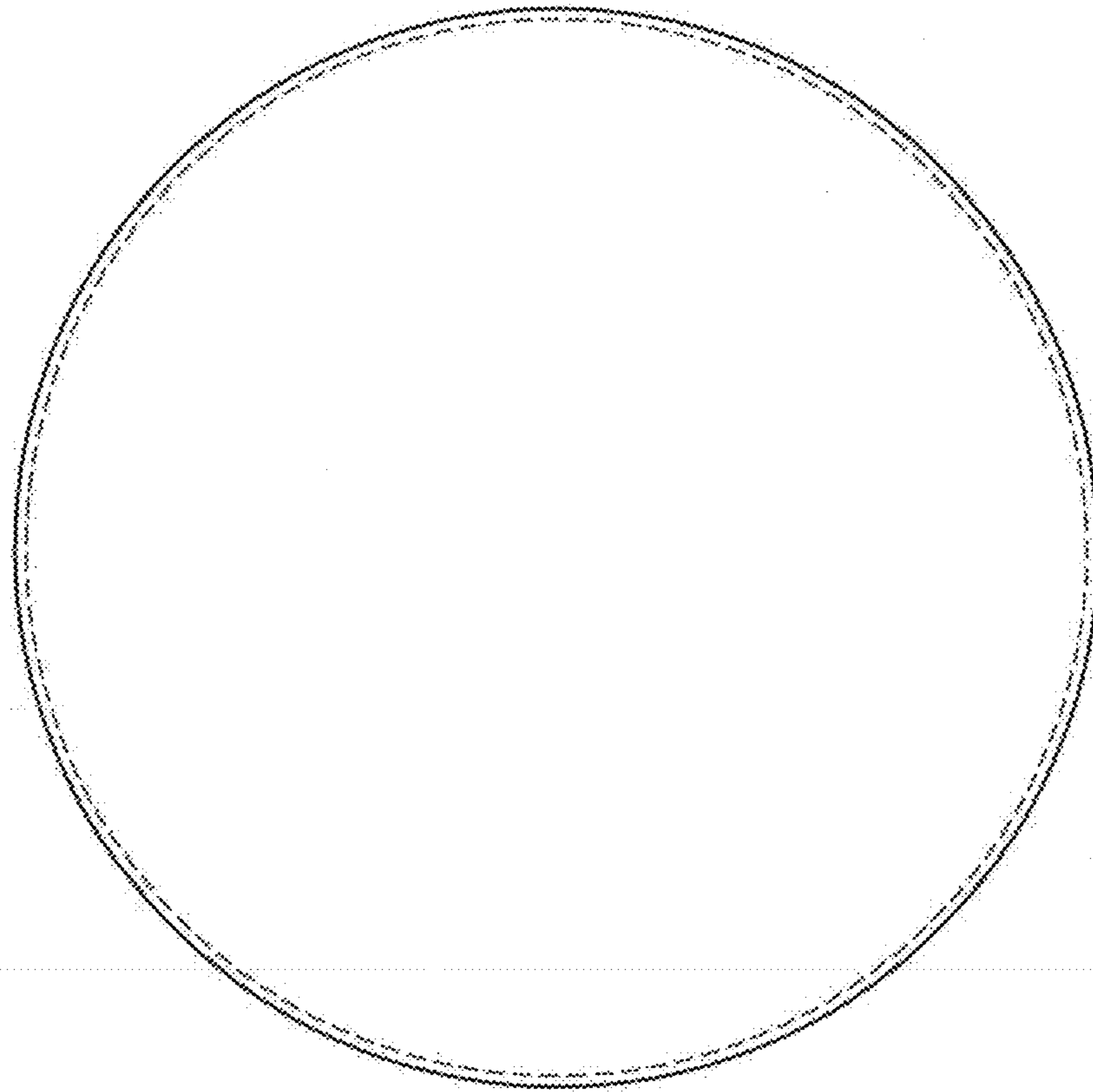


FIG.7